



MA.RI.NA SYSTEMS SRL

Via F. Baracca, 3 - 24034 Cisano Bergamasco (BG)

Tel. 035-787774 ra - Fax 035-787761

e-mail info@marinasystems.it



internet <http://www.marinasystems.it>

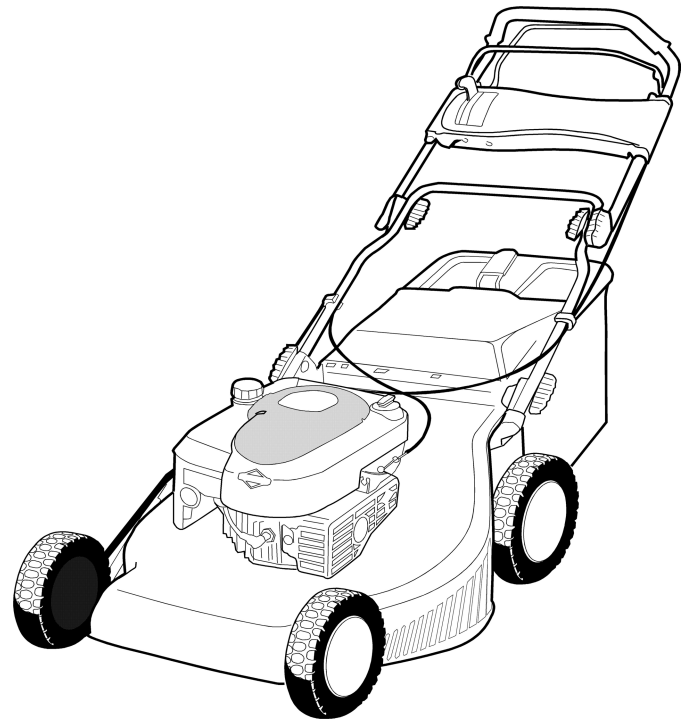
Catalogo ricambi

Pièces de rechange

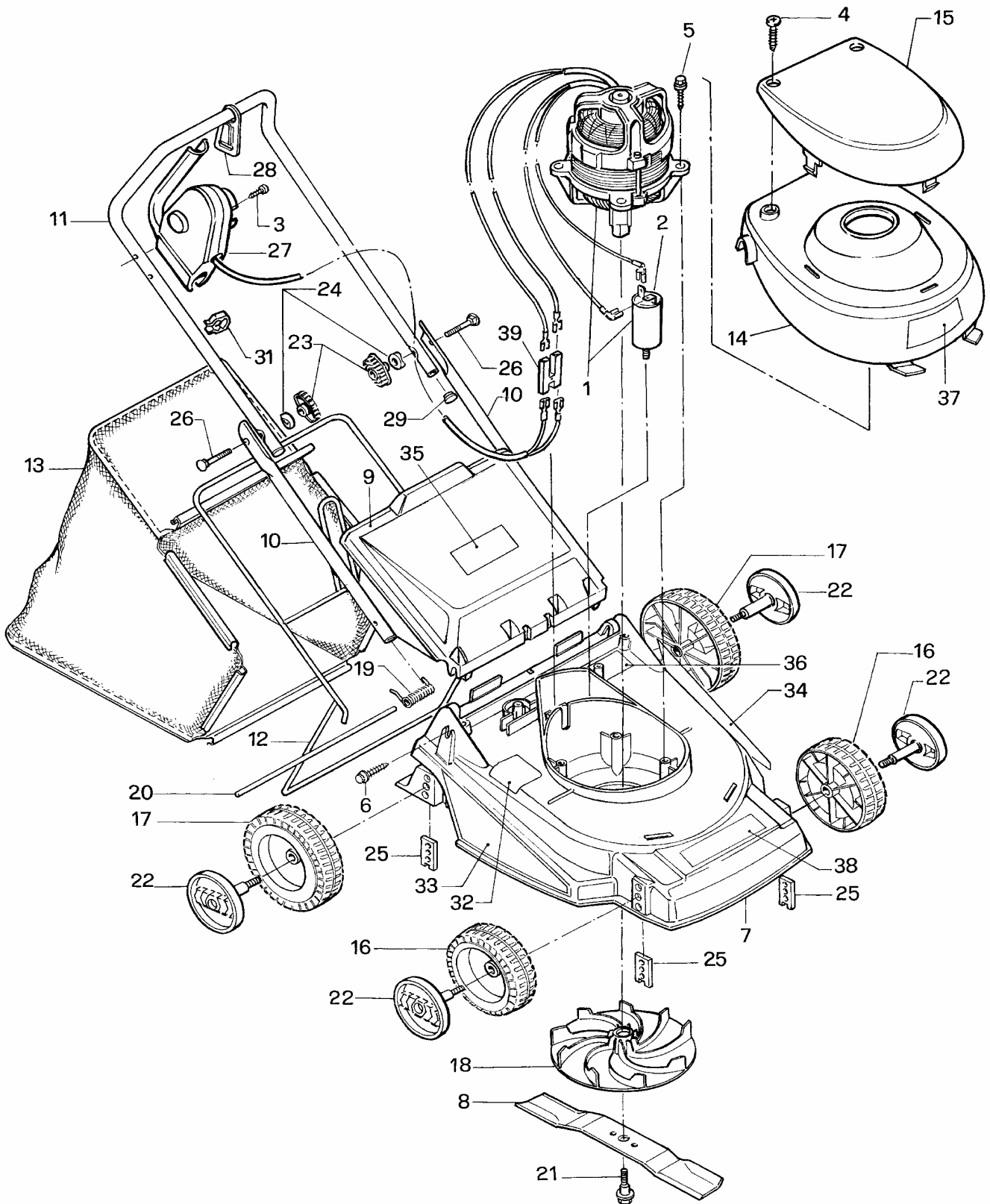
Ersatzteile

Spare parts

Recambios



GT 32 E - GX 32 E - SP 32 E (<= 2004)

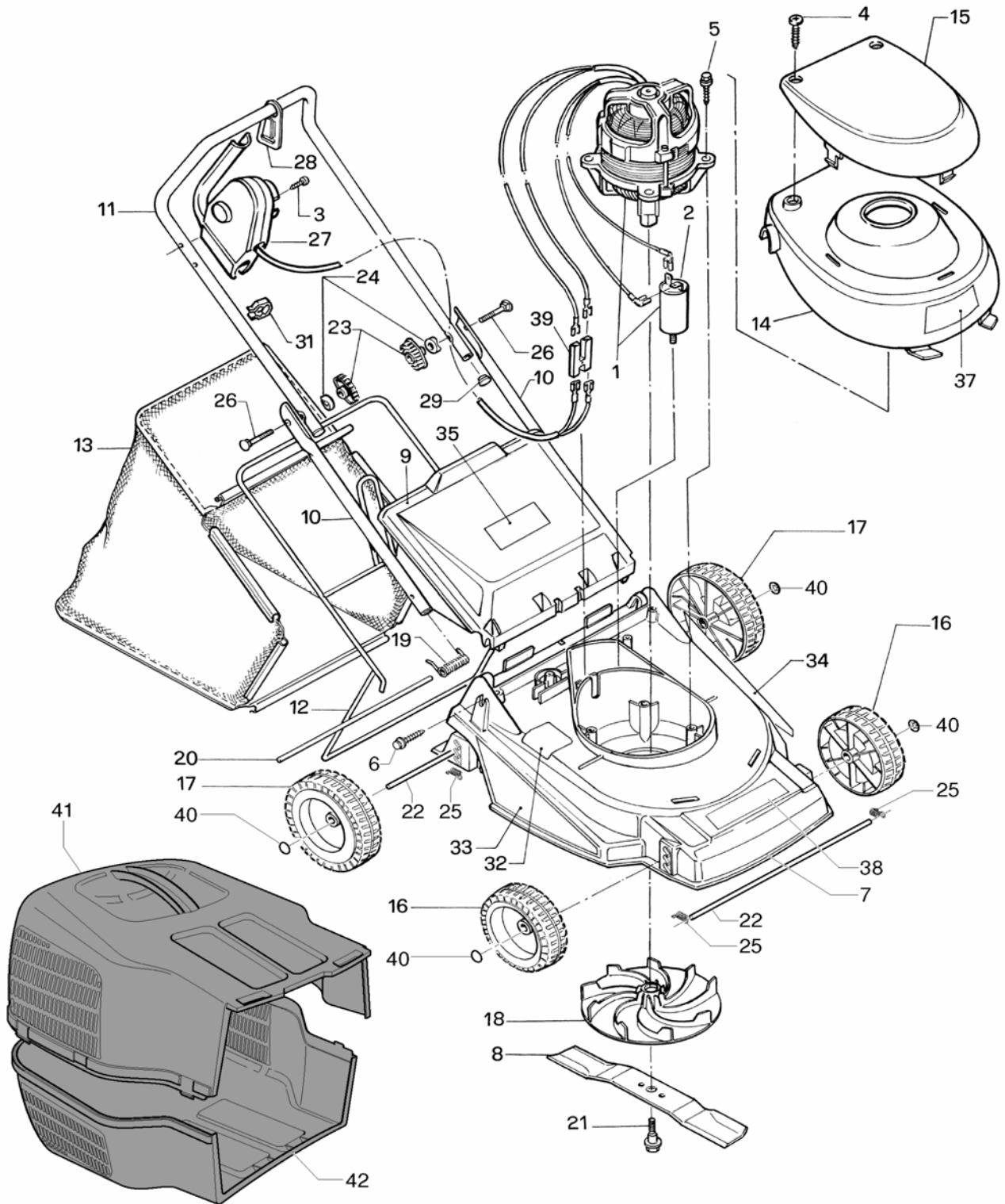


MA.RI.NA.

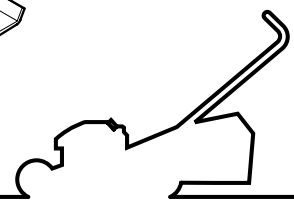
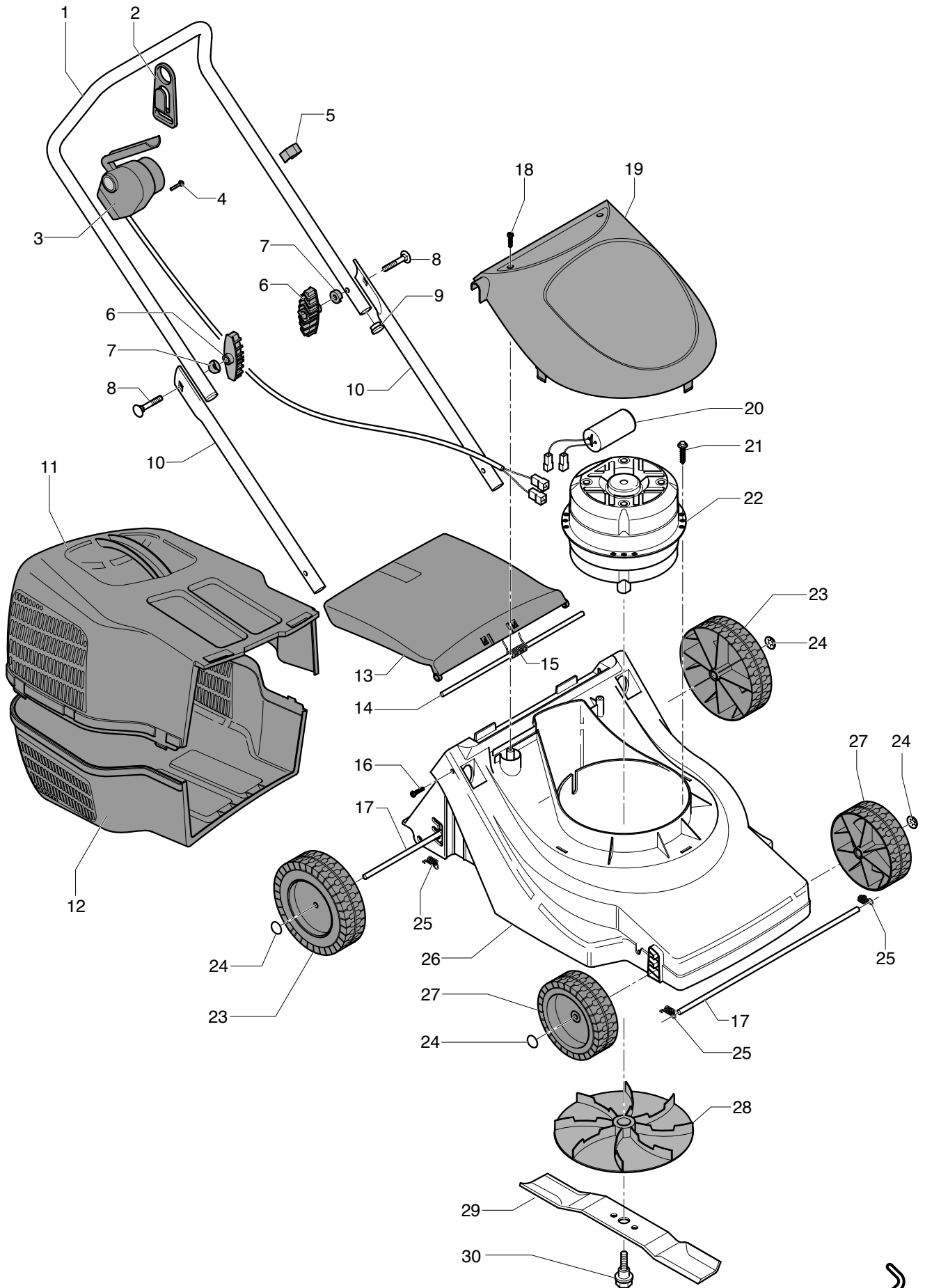
GT 32 E - GX 32 E - SP 32 E (<= 2004)

POS.	CODICE	I	F	D	GB	E	GT 32	GX 32	SP 32
1	CP017080F	MOTORE EL. 800 W	MOTEUR	MOTOR	ENGINE	MOTOR		1	1
1	CP017100F	MOTORE EL. 1100 W	MOTEUR	MOTOR	ENGINE	MOTOR	1		
2	CP019810	CONDENSATORE 10 M	CONDENSATEUR	KONDENSATOR	CONDENSER	CONDENSADOR		1	1
2	CP019816	CONDENSATORE 16 M	CONDENSATEUR	KONDENSATOR	CONDENSER	CONDENSADOR	1		
3	CP023925	VITE AUTOF.	VIS	SCHRAUBE	SCREW	TORNILLO	2	2	2
4	CP025030	VITE AUTOF.	VIS	SCHRAUBE	SCREW	TORNILLO	2	2	2
5	CP026030	VITE AUTOF.	VIS	SCHRAUBE	SCREW	TORNILLO	4	4	4
6	CP026338	VITE AUTOF.	VIS	SCHRAUBE	SCREW	TORNILLO	2	2	2
7	CP032001	CHASSIS VERDE	CARTER	GEHÄUSE	DECK	CHASIS	1		
7	CP032001.02	CHASSIS ROSSO	CARTER	GEHÄUSE	DECK	CHASIS RAL 3000		1	
7	CP032001.12	CHASSIS	CARTER	GEHÄUSE	DECK	CHASIS			1
8	CP032011	LAMA	LAME	MESSER	BLADE	CUCHILLA	1	1	1
9	CP032018	PARASASSI	DEFLECTEUR	DEFLEKTOR	REAR DOOR	DEFLECTÓR	1	1	1
10	CP032033	MANICO INF.	GUIDON	STIEL	HANDLE	MANILLAR	2	2	2
11	CP032038	MANICO SUP.	GUIDON	STIEL	HANDLE	MANILLAR	1	1	1
12	CP032078	TELAIO CESTO	ATTELAGE	GRASFANGRAHMEN	FRAME	ARMAZON SACO	1	1	1
13	CP032083	TELA CESTO BIANCA	SAC RAMASSEUR	GRASFANGSACK	GRASS BAG	SACO TELA	1		
13	CP032083.05	TELA CESTO NERA	SAC RAMASSEUR	GRASFANGSACK	GRASS BAG	SACO TELA		1	1
14	CP032102	CUPOLINA INF. BIANCA	CALOTTE	VERKLEIDUNG	COVER	CARCASA	1	1	1
15	CP032103	CUPOLINA SUP. VERDE	CALOTTE	VERKLEIDUNG	COVER	CARCASA	1		
15	CP032103.02	CUPOLINA SUP. ROSSO	CALOTTE	VERKLEIDUNG	COVER	CARCASA RAL 3000		1	
15	CP032103.12	CUPOLINA SUP. TURCO	CALOTTE	VERKLEIDUNG	COVER	CARCASA			1
16	CP032108	RUOTA 125 FORO 12	ROUE	RAD	WHEEL	RUEDA	2	2	2
17	CP032109	RUOTA 150 FORO 12	ROUE	RAD	WHEEL	RUEDA	2	2	2
18	CP032158	VENTOLA	VENTILATEUR	LAUFRAD	FAN	VENTILADOR	1	1	1
19	CP032193	MOLLA PARASASSI	RESSORT	FEDER	SPRING	MUELLE	1	1	1
20	CP032203	ASTINA	AXE PIVOT	STANGE	HINGE PIN	EJE DEFLECTÓR	1	1	1
21	CP032209	VITE LAMA	VIS	SCHRAUBE	SCREW	TORNILLO	1	1	1
22	CP032224	POMOLO RUOTA	AXE ROUE	RADSTIFT	PIN	EJE RUEDA	4	4	4
23	CP032228	POMOLO MANICO	ÉCROU	GRIFF	KNOB HANDLE	POMO MANILLAR	2	2	2
24	CP032230	RONDELLA	RONDELLE	SCHEIBE	WASHER	ARANDELA	2	2	2
25	CP032250	PIASTRINA	PLAQUE	PLÄTTCHEN	PLATE	PLANCHA	4	4	4
26	CP040640	VITE TTQST	VIS	SCHRAUBE	SCREW	TORNILLO	2	2	2
27	CP042185	INTERRUPTORE	INTERRUPTEUR	SCHALTER D-I-F-A-B-	SWITCH	INTERRUPTOR	1	1	1
28	CP042218	SUPPORTO CAVO	PORTE CABLE	KABELHALTER	CABLE SUPPORT	FIJADOR CABLE	1	1	1
29	CP045718	TAPPO	COUVERCLE	KAPPE	CAP	TAPA	2	2	2
31	CP050222	FERMACAVO	ATTACHE CABLE	KABELBESCHWERER	CLIP	FIJADOR CABLE	1	1	1
32	CP053813	DECALCO	DECALQUE	ETIKETTE	DECAL	CARTEL	1	1	1
33	CP053720	DECALCO	DECALQUE	ETIKETTE	DECAL	CARTEL	1		
34	CP053721	DECALCO	DECALQUE	ETIKETTE	DECAL	CARTEL	1		
35	CP053714	DECALCO	DECALQUE	ETIKETTE	DECAL	CARTEL	1	1	1
37	CP053880	DECALCO	DECALQUE	ETIKETTE	DECAL	CARTEL		1	1
37	CP053886	DECALCO	DECALQUE	ETIKETTE	DECAL	CARTEL	1		
38	CP053910	DECALCO GREENTEA	DECALQUE	ETIKETTE	DECAL	CARTEL	1		
38	CP053861	DECALCO GALAXY	DECALQUE	ETIKETTE	DECAL	CARTEL		1	
38	CP053862	DECALCO SPARTAN	DECALQUE	ETIKETTE	DECAL	CARTEL			1
39	CP019910	MORSETTO	ATTACHE CABLE	KABELBESCHWERER	CLIP	FIJADOR CABLE	1	1	1

GT 32 E - GX 32 E - SP 32 E (>= 2005)

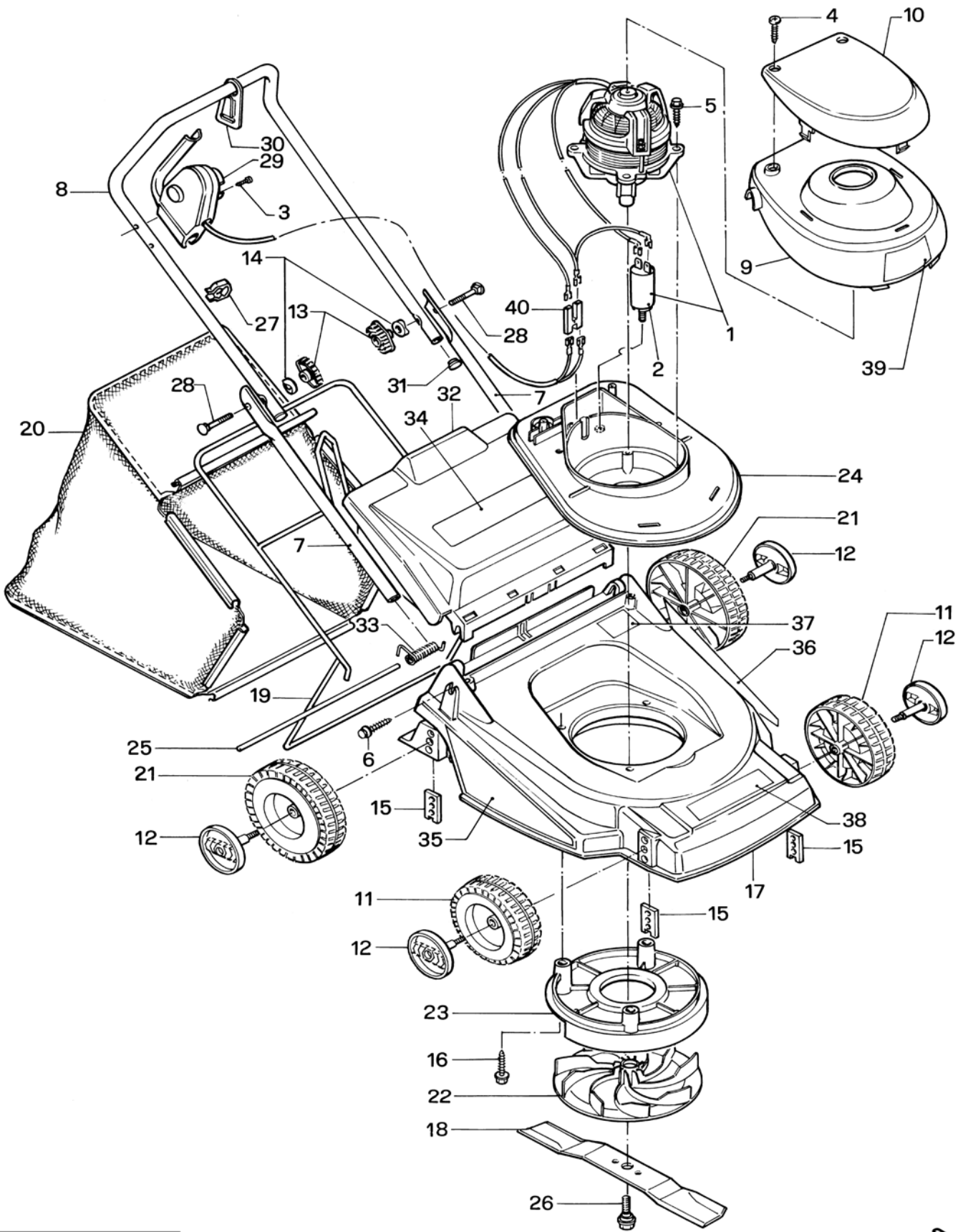


POS.	CODICE	I	F	D	GB	E	GT 32	GX 32	SP 32
1	CP017080F	MOTORE EL. 800 W	MOTEUR	MOTOR	ENGINE	MOTOR		1	1
1	CP017100F	MOTORE EL. 1100 W	MOTEUR	MOTOR	ENGINE	MOTOR	1		
2	CP019808	CONDENSATORE 8 M	CONDENSATEUR	KONDENSATOR	CONDENSER	CONDENSADOR	1 x engine 800 W HLT.		
2	CP019810	CONDENSATORE 10 M	CONDENSATEUR	KONDENSATOR	CONDENSER	CONDENSADOR	1 x engine 800 W Leroy S.		
2	CP019812	CONDENSATORE 12 M	CONDENSATEUR	KONDENSATOR	CONDENSER	CONDENSADOR	800 W ATB - 1100 W ATB-HLT		
2	CP019816	CONDENSATORE 16 M	CONDENSATEUR	KONDENSATOR	CONDENSER	CONDENSADOR	1 x engine 1100 W Leroy S.		
3	CP023925	VITE AUTOF.	VIS	SCHRAUBE	SCREW	TORNILLO	2	2	2
4	CP025030	VITE AUTOF.	VIS	SCHRAUBE	SCREW	TORNILLO	2	2	2
5	CP026030	VITE AUTOF.	VIS	SCHRAUBE	SCREW	TORNILLO	4	4	4
6	CP026338	VITE AUTOF.	VIS	SCHRAUBE	SCREW	TORNILLO	2	2	2
7	CP032002	CHASSIS VERDE N.T.	CARTER	GEHÄUSE	DECK	CHASIS	1		
7	CP032002.02	CHASSIS ROSSO N.T.	CARTER	GEHÄUSE	DECK	CHASIS RAL 3000		1	
7	CP032002.12	CHASSIS TURCHESE	CARTER	GEHÄUSE	DECK	CHASIS			1
8	CP032011	LAMA	LAME	MESSER	BLADE	CUCHILLA	1	1	1
9	CP032018	PARASASSI	DEFLECTEUR	DEFLEKTOR	REAR DOOR	DEFLECTOR	1	1	1
10	CP032033	MANICO INF.	GUIDON	STIEL	HANDLE	MANILLAR	2	2	2
11	CP032038	MANICO SUP.	GUIDON	STIEL	HANDLE	MANILLAR	1	1	1
12	CP032078	TELAIO CESTO	ATTELAGE	GRASFANGRAHMEN	FRAME	ARMAZON SACO	1	1	1
13	CP032083	TELA CESTO BIANCA	SAC RAMASSEUR	GRASFANGSACK	GRASS BAG	SACO TELA	1		
13	CP032083.05	TELA CESTO NERA	SAC RAMASSEUR	GRASFANGSACK	GRASS BAG	SACO TELA		1	1
14	CP032102	CUPOLINA INF. BIANCA	CALOTTE	VERKLEIDUNG	COVER	CARCASA	1	1	1
15	CP032103	CUPOLINA SUP. VERDE	CALOTTE	VERKLEIDUNG	COVER	CARCASA	1		
15	CP032103.02	CUPOLINA SUP. ROSSO	CALOTTE	VERKLEIDUNG	COVER	CARCASA RAL 3000		1	
15	CP032103.12	CUPOLINA SUP. TURCO	CALOTTE	VERKLEIDUNG	COVER	CARCASA			1
16	CP033108	RUOTA 125 FORO 7	ROUE	RAD	WHEEL	RUEDA	2	2	2
17	CP033109	RUOTA 150 FORO 7	ROUE	RAD	WHEEL	RUEDA	2	2	2
18	CP032158	VENTOLA	VENTILATEUR	LAUFRAD	FAN	VENTILADOR	1	1	1
19	CP032193	MOLLA PARASASSI	RESSORT	FEDER	SPRING	MUELLE	1	1	1
20	CP032203	ASTINA	AXE PIVOT	STANGE	HINGE PIN	EJE DEFLECTOR	1	1	1
21	CP032209	VITE LAMA	VIS	SCHRAUBE	SCREW	TORNILLO	1	1	1
22	CP032204	ASSE PER RUOTE	AXE ROUE	RADSTIFT	PIN	EJE RUEDA	2	2	2
23	CP032228	POMOLO MANICO	ÉCROU	GRIFF	KNOB HANDLE	POMO MANILLAR	2	2	2
24	CP032230	RONDELLA	RONDELLE	SCHEIBE	WASHER	ARANDELA	2	2	2
25	CP032192	MOLLA PER RUOTE 32	RESSORT	FEDER	SPRING	MUELLE	4	4	4
26	CP040640	VITE TTQST	VIS	SCHRAUBE	SCREW	TORNILLO	2	2	2
27	CP042185	INTERRUPTORE	INTERRUPTEUR	SCHALTER D-I-F-A-B-N	SWITCH	INTERRUPTOR	1	1	1
28	CP042218	SUPPORTO CAVO	PORTE CABLE	KABELHALTER	CABLE SUPPORT	FIJADOR CABLE	1	1	1
29	CP045718	TAPPO	COUVERCLE	KAPPE	CAP	TAPA	2	2	2
31	CP050222	FERMACAVO	ATTACHE CABLE	KABELBESCHWERER	CLIP	FIJADOR CABLE	1	1	1
32	CP053813	DECALCO	DECALQUE	ETIKETTE	DECAL	CARTEL	1	1	1
33	CP053720	DECALCO	DECALQUE	ETIKETTE	DECAL	CARTEL	1		
34	CP053721	DECALCO	DECALQUE	ETIKETTE	DECAL	CARTEL	1		
35	CP053714	DECALCO	DECALQUE	ETIKETTE	DECAL	CARTEL	1	1	1
37	CP053880	DECALCO	DECALQUE	ETIKETTE	DECAL	CARTEL		1	1
37	CP053886	DECALCO	DECALQUE	ETIKETTE	DECAL	CARTEL	1		
38	CP053860	DECALCO GREENTEA	DECALQUE	ETIKETTE	DECAL	CARTEL	1		
38	CP053861	DECALCO GALAXY	DECALQUE	ETIKETTE	DECAL	CARTEL		1	
38	CP053862	DECALCO SPARTAN	DECALQUE	ETIKETTE	DECAL	CARTEL			1
39	CP019910	MORSETTO	ATTACHE CABLE	KABELBESCHWERER	CLIP	FIJADOR CABLE	1	1	1
40	CP046617	CAPPELOTTO SFERICO	CLIP	RÜCKHALT	RETAINER	ANILLO CLIP	1	1	1
41	CP032023	CESTO RIGIDO SUP	SAC RAMASSEUR SUP	GRASFANGSACK	GRASS BAG UP	SACO	OPTIONAL		
42	CP032022	CESTO RIGIDO INF	SAC RAMASSEUR INF	GRASFANGSACK	GRASS BAG DOWN	SACO	OPTIONAL		



POS.	CODICE	I	F	D	GB	E	800 W	1000 W
1	CP032038	MANICO SUP.	GUIDON	STIEL	HANDLE	MANILLAR	1	1
2	CP042218	SUPPORTO CAVO	PORTE CABLE	KABELHALTER	CABLE SUPPORT	FIJADOR CABLE	1	1
3	CP042185	INTERRUTTORE	INTERRUPTEUR	SCHALTER D-I-F-A-B-N	SWITCH	INTERRUPTOR	1	1
4	CP023925	VITE AUTOF.	VIS	SCHRAUBE	SCREW	TORNILLO	2	2
5	CP050222	FERMACAVO	ATTACHE CABLE	KABELBESCHWERER	CLIP	FIJADOR CABLE	1	1
6	CP032228	POMOLO MANICO	ÉCROU	GRIFF	KNOB HANDLE	POMO MANILLAR	2	2
7	CP032230	RONDELLA	RONDELLE	SCHIBE	WASHER	ARANDELA	2	2
8	CP040640	VITE TTQST	VIS	SCHRAUBE	SCREW	TORNILLO	2	2
9	CP045718	TAPPO	COUVERCLE	KAPPE	CAP	TAPA	2	2
10	CP032033	MANICO INF.	GUIDON	STIEL	HANDLE	MANILLAR	2	2
11	CP032023	CESTO RIGIDO SUP	SAC RAMASSEUR SUP	GRASFANGSACK	GRASS BAG UP	SACO	1	1
12	CP032022	CESTO RIGIDO INF	SAC RAMASSEUR INF	GRASFANGSACK	GRASS BAG DOWN	SACO	1	1
13	CP033018	PARASASSI	DEFLECTEUR	DEFLEKTOR	REAR DOOR	DEFLECTÓR	1	1
14	CP032203	ASTINA	AXE PIVOT	STANGE	HINGE PIN	EJE DEFLECTÓR	1	1
15	CP032193	MOLLA PARASASSI	RESSORT	FEDER	SPRING	MUELLE	1	1
16	CP026338	VITE AUTOF.	VIS	SCHRAUBE	SCREW	TORNILLO	2	2
17	CP033204	ASSE PER RUOTE	AXE ROUE	RADSTIFT	PIN	EJE RUEDA	2	2
18	CP025030	VITE AUTOF.	VIS	SCHRAUBE	SCREW	TORNILLO	2	2
19	CP033103	CUPOLINA SUP. NERA	CALOTTE	VERKLEIDUNG	COVER	CARCASA	1	1
20	CP019810	CONDENSATORE 10 M	CONDENSATEUR	KONDENSATOR	CONDENSER	CONDENSADOR	1	
20	CP019812	CONDENSATORE 12 M	CONDENSATEUR	KONDENSATOR	CONDENSER	CONDENSADOR		1
21	CP026030	VITE AUTOF.	VIS	SCHRAUBE	SCREW	TORNILLO	4	4
22	CP017080F	MOTORE EL. 800 W	MOTEUR	MOTOR	ENGINE	MOTOR	1	
22	CP017098F	MOTORE EL. 1000 W	MOTEUR	MOTOR	ENGINE	MOTOR		1
23	CP033109	RUOTA 150 FORO 7	ROUE	RAD	WHEEL	RUEDA	2	2
24	CP046617	CAPPELLOTTO SFERI	CLIP	RÜCKHALT	RETAINER	ANILLO CLIP	4	4
25	CP033192	MOLLA PER RUOTE 40	RESSORT	FEDER	SPRING	MUELLE	4	4
26	CP033002.02	CHASSIS ROSSO	CARTER	GEHÄUSE	DECK	CHASIS RAL 3000	1	1
27	CP033108	RUOTA 125 FORO 7	ROUE	RAD	WHEEL	RUEDA	2	2
28	CP032158	VENTOLA	VENTILATEUR	LAUFRAD	FAN	VENTILADOR	1	1
29	CP032011	LAMA	LAME	MESSER	BLADE	CUCHILLA	1	1
30	CP032209	VITE LAMA	VIS	SCHRAUBE	SCREW	TORNILLO	1	1

GT 40 E - GX 40 E - SP 40 E (<= 2004)

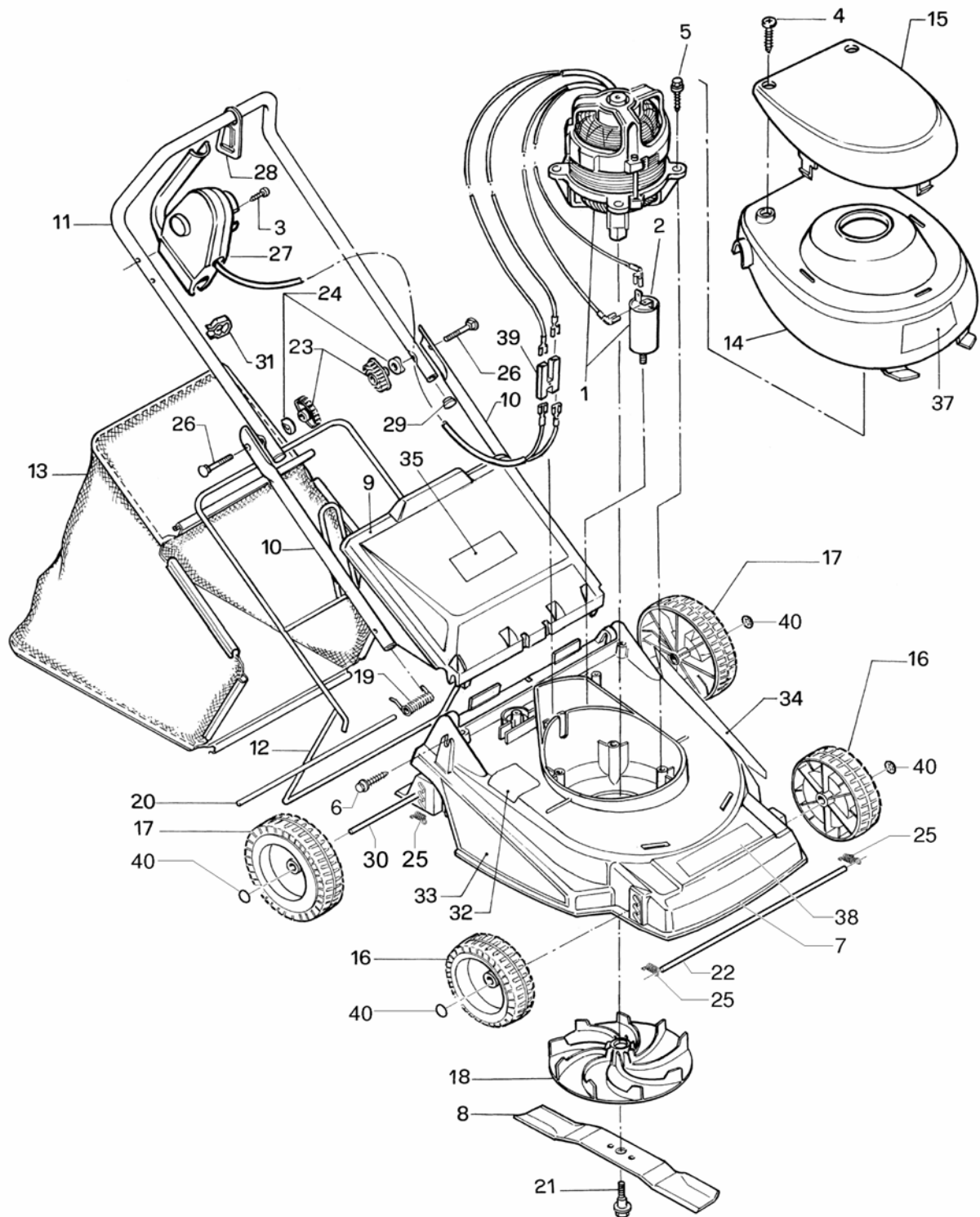


RICAMBI ORIGINALI



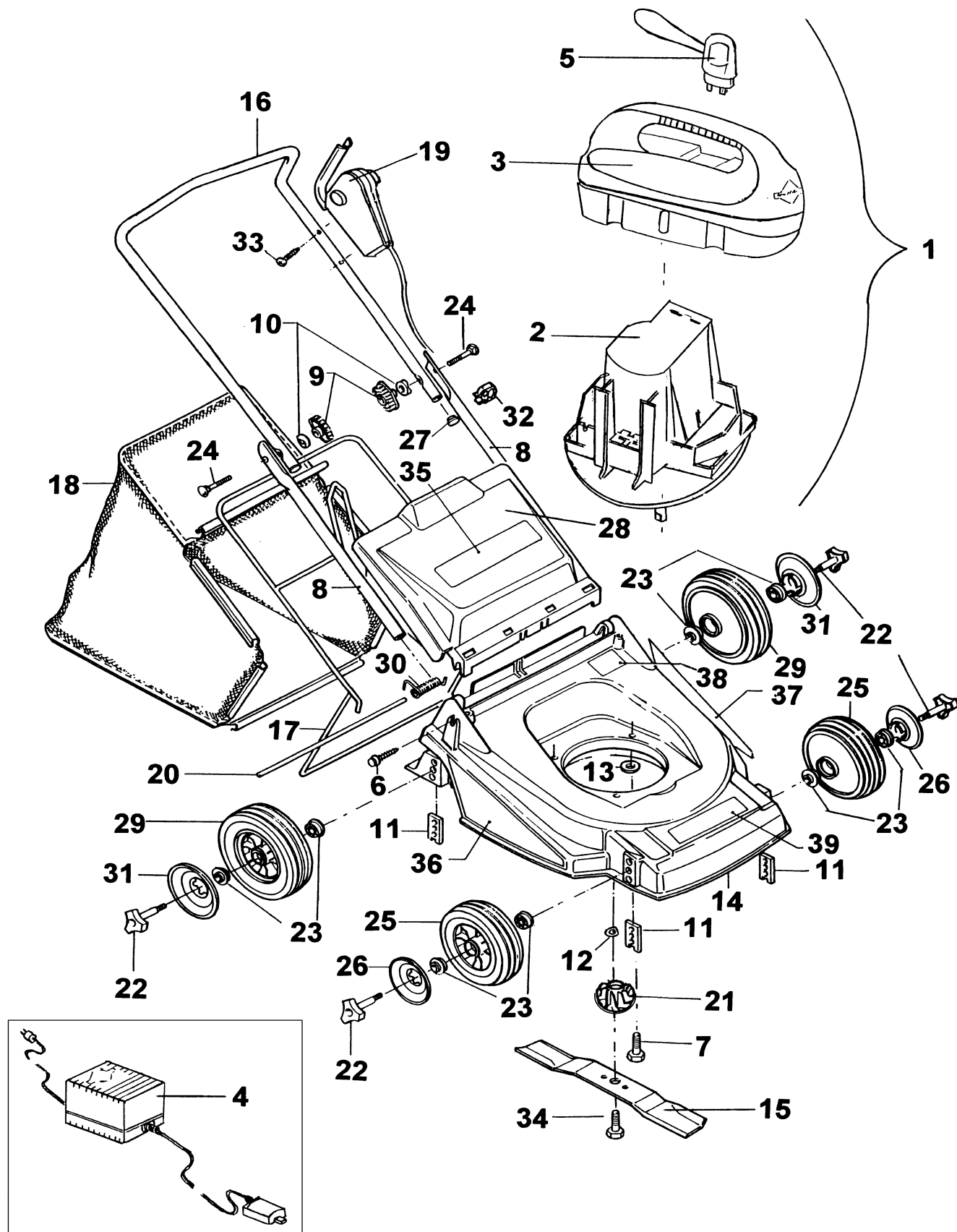
POS.	CODICE	I	F	D	GB	E	GT 40	GX 40	SP 40
1	CP017100F	MOTORE EL. 1100 W	MOTEUR	MOTOR	ENGINE	MOTOR			
1	CP017130F	MOTORE EL. 1300 W	MOTEUR	MOTOR	ENGINE	MOTOR	1		
2	CP019816	CONDENSATORE 16 M	CONDENSATEUR	KONDENSATOR	CONDENSER	CONDENSADOR	1	1	1
3	CP023925	VITE AUTOF.	VIS	SCHRAUBE	SCREW	TORNILLO	2	2	2
4	CP025030	VITE AUTOF.	VIS	SCHRAUBE	SCREW	TORNILLO	2	2	2
5	CP026030	VITE AUTOF.	VIS	SCHRAUBE	SCREW	TORNILLO	4	4	4
6	CP026338	VITE AUTOF.	VIS	SCHRAUBE	SCREW	TORNILLO	2	2	2
7	CP032033	MANICO INF.	GUIDON	STIEL	HANDLE	MANILLAR	2	2	2
8	CP032038	MANICO SUP.	GUIDON	STIEL	HANDLE	MANILLAR	1	1	1
9	CP032102	CUPOLINA INF. BIANC	CALOTTE	VERKLEIDUNG	COVER	CARCASA	1	1	1
10	CP032103	CUPOLINA SUP. VERD	CALOTTE	VERKLEIDUNG	COVER	CARCASA	1		
10	CP032103.02	CUPOLINA SUP. ROSS	CALOTTE	VERKLEIDUNG	COVER	CARCASA RAL 3000		1	
10	CP032103.12	CUPOLINA SUP. TURC	CALOTTE	VERKLEIDUNG	COVER	CARCASA			1
11	CP032109	RUOTA 150 FORO 12	ROUE	RAD	WHEEL	RUEDA	2	2	2
12	CP032224	POMOLO RUOTA	AXE ROUE	RADSTIFT	PIN	EJE RUEDA	4	4	4
13	CP032228	POMOLO MANICO	ÉCROU	GRIFF	KNOB HANDLE	POMO MANILLAR	2	2	2
14	CP032230	RONDELLA	RONDELLE	SCHEIBE	WASHER	ARANDELA	2	2	2
15	CP032250	PIASTRINA	PLAQUE	PLÄTTCHEN	PLATE	PLANCHA	4	4	4
16	CP026350	VITE AUTOF.	VIS	SCHRAUBE	SCREW	TORNILLO	3	3	3
17	CP040001	CHASSIS	CARTER	GEHÄUSE	DECK	CHASIS	1		
17	CP040001.02	CHASSIS ROSSO	CARTER	GEHÄUSE	DECK	CHASIS RAL 3000		1	
17	CP040001.12	CHASSIS	CARTER	GEHÄUSE	DECK	CHASIS			1
18	CP040010	LAMA	LAME	MESSER	BLADE	CUCHILLA	1	1	1
19	CP040078	TELAIO CESTO	ATTELAGE	GRASFANGRAHMEN	FRAME	ARMAZON SACO	1	1	1
20	CP040083	TELA CESTO BIANCA	SAC RAMASSEUR	GRASFANGSACK	GRASS BAG	SACO TELA	1		
20	CP040083.05	TELA CESTO NERA	SAC RAMASSEUR	GRASFANGSACK	GRASS BAG	SACO TELA		1	1
21	CP040109	RUOTA 170 FORO 12	ROUE	RAD	WHEEL	RUEDA	2	2	2
22	CP040158	VENTOLA	VENTILATEUR	LAUFRAD	FAN	VENTILADOR	1	1	1
23	CP040174	CONVOGLIATORE	CALOTTE	LAUFRADGEHÄUSE	FAN BOX	CARCASA	1	1	1
24	CP040175	BASE MOTORE	PORTE MOTEUR	MOTORGEHÄUSE	MOTOR BOX	BASE MOTOR	1	1	1
25	CP040203	ASTINA	AXE PIVOT	STANGE	HINGE PIN	EJE DEFLECTÓR	1	1	1
26	CP040209	VITE LAMA	VIS	SCHRAUBE	SCREW	TORNILLO	1	1	1
27	CP050222	FERMACAVO	ATTACHE CABLE	KABELBESCHWERER	CLIP	FIJADOR CABLE	1	1	1
28	CP040640	VITE TTQST	VIS	SCHRAUBE	SCREW	TORNILLO	2	2	2
29	CP042185	INTERRUTTORE	INTERRUPTEUR	SCHALTER D-I-F-A-B-N	SWITCH	INTERRUPTOR	1	1	1
30	CP042218	SUPPORTO CAVO	PORTE CABLE	KABELHALTER	CABLE SUPPORT	FIJADOR CABLE	1	1	1
31	CP045718	TAPPO	COUVERCLE	KAPPE	CAP	TAPA	2	2	2
32	CP047018	PARASASSI	DEFLECTEUR	DEFLEKTOR	REAR DOOR	DEFLECTÓR	1	1	1
33	CP047193	MOLLA PARASASSI	RESSORT	FEDER	SPRING	MUELLE	1	1	1
34	CP053714	DECALCO	DECALQUE	ETIKETTE	DECAL	CARTEL	1	1	1
35	CP053722	DECALCO	DECALQUE	ETIKETTE	DECAL	CARTEL	1		
36	CP053723	DECALCO	DECALQUE	ETIKETTE	DECAL	CARTEL	1		
37	CP053812	DECALCO	DECALQUE	ETIKETTE	DECAL	CARTEL	1	1	1
38	CP053860	DECALCO GREENTEA	DECALQUE	ETIKETTE	DECAL	CARTEL	1		
38	CP053861	DECALCO GALAXY	DECALQUE	ETIKETTE	DECAL	CARTEL		1	
38	CP053862	DECALCO SPARTAN	DECALQUE	ETIKETTE	DECAL	CARTEL			1
39	CP053886	DECALCO	DECALQUE	ETIKETTE	DECAL	CARTEL		1	1
39	CP053890	DECALCO	DECALQUE	ETIKETTE	DECAL	CARTEL	1		
40	CP019910	MORSETTO	ATTACHE CABLE	KABELBESCHWERER	CLIP	FIJADOR CABLE	1	1	1

GT 40 E - GX 40 E - SP 40 E (>= 2005)



POS.	CODICE	I	F	D	GB	E	GT 40	GX 40	SP 40
1	CP017100F	MOTORE EL. 1100 W	MOTEUR	MOTOR	ENGINE	MOTOR		1	1
1	CP017130F	MOTORE EL. 1300 W	MOTEUR	MOTOR	ENGINE	MOTOR	1		
2	CP019812	CONDENSATORE 12 M	CONDENSATEUR	KONDENSATOR	CONDENSER	CONDENSADOR	1 x engine 1100 W ATB-HLT		
2	CP019816	CONDENSATORE 16 M	CONDENSATEUR	KONDENSATOR	CONDENSER	CONDENSADOR	1300 W Leroy S.- ATB- HLT		
3	CP023925	VITE AUTOF.	VIS	SCHRAUBE	SCREW	TORNILLO	2	2	2
4	CP025030	VITE AUTOF.	VIS	SCHRAUBE	SCREW	TORNILLO	2	2	2
5	CP026030	VITE AUTOF.	VIS	SCHRAUBE	SCREW	TORNILLO	4	4	4
6	CP026338	VITE AUTOF.	VIS	SCHRAUBE	SCREW	TORNILLO	2	2	2
7	CP040002	CHASSIS VERDE N.T.	CARTER	GEHÄUSE	DECK	CHASIS	1		
7	CP040002.02	CHASSIS ROSSO N.T.	CARTER	GEHÄUSE	DECK	CHASIS RAL 3000		1	
7	CP040002.12	CHASSIS TURCHESE	CARTER	GEHÄUSE	DECK	CHASIS			1
8	CP040010	LAMA	LAME	MESSER	BLADE	CUCHILLA	1	1	1
9	CP047018	PARASASSI	DEFLECTEUR	DEFLEKTOR	REAR DOOR	DEFLECTOR	1	1	1
10	CP032033	MANICO INF.	GUIDON	STIEL	HANDLE	MANILLAR	2	2	2
11	CP032038	MANICO SUP.	GUIDON	STIEL	HANDLE	MANILLAR	1	1	1
12	CP040078	TELAIO CESTO	ATTELAGE	GRASFANGRAHMEN	FRAME	ARMAZON SACO	1	1	1
13	CP040083	TELA CESTO BIANCA	SAC RAMASSEUR	GRASFANGSACK	GRASS BAG	SACO TELA	1		
13	CP040083.05	TELA CESTO NERA	SAC RAMASSEUR	GRASFANGSACK	GRASS BAG	SACO TELA		1	1
14	CP032102	CUPOLINA INF. BIANCA	CALOTTE	VERKLEIDUNG	COVER	CARCASA	1	1	1
15	CP032103	CUPOLINA SUP. VERDE	CALOTTE	VERKLEIDUNG	COVER	CARCASA	1		
15	CP032103.02	CUPOLINA SUP. ROSSO	CALOTTE	VERKLEIDUNG	COVER	CARCASA RAL 3000		1	
15	CP032103.12	CUPOLINA SUP. TURCO	CALOTTE	VERKLEIDUNG	COVER	CARCASA			1
16	CP033109	RUOTA 150 FORO 7	ROUE	RAD	WHEEL	RUEDA	2	2	2
17	CP040108	RUOTA 170 FORO 7	ROUE	RAD	WHEEL	RUEDA	2	2	2
18	CP032158	VENTOLA	VENTILATEUR	LAUFRAD	FAN	VENTILADOR	1	1	1
19	CP047193	MOLLA PARASASSI	RESSORT	FEDER	SPRING	MUELLE	1	1	1
20	CP040203	ASTINA	AXE PIVOT	STANGE	HINGE PIN	EJE DEFLECTOR	1	1	1
21	CP032209	VITE LAMA	VIS	SCHRAUBE	SCREW	TORNILLO	1	1	1
22	CP040204	ASSE PER RUOTE ANTERIORI	AXE ROUE	RADSTIFT	PIN	EJE RUEDA	1	1	1
23	CP032228	POMOLO MANICO	ÉCROU	GRIFF	KNOB HANDLE	POMO MANILLAR	2	2	2
24	CP032230	RONDELLA	RONDELLE	SCHEIBE	WASHER	ARANDELA	2	2	2
25	CP033192	MOLLA PER RUOTE POSTERIORI	RESSORT	FEDER	SPRING	MUELLE	4	4	4
26	CP040640	VITE TTQST	VIS	SCHRAUBE	SCREW	TORNILLO	2	2	2
27	CP042185	INTERRUTTORE	INTERRUPTEUR	SCHALTER D-I-F-A-B-N	SWITCH	INTERRUPTOR	1	1	1
28	CP042218	SUPPORTO CAVO	PORTE CABLE	KABELHALTER	CABLE SUPPORT	FIJADOR CABLE	1	1	1
29	CP045718	TAPPO	COUVERCLE	KAPPE	CAP	TAPA	2	2	2
30	CP040205	ASSE PER RUOTE POSTERIORI	AXE ROUE	RADSTIFT	PIN	EJE RUEDA	1	1	1
31	CP050222	FERMACAVO	ATTACHE CABLE	KABELBESCHWERER	CLIP	FIJADOR CABLE	1	1	1
32	CP053813	DECALCO	DECALQUE	ETIKETTE	DECAL	CARTEL	1	1	1
33	CP053722	DECALCO	DECALQUE	ETIKETTE	DECAL	CARTEL	1		
34	CP053723	DECALCO	DECALQUE	ETIKETTE	DECAL	CARTEL	1		
35	CP053714	DECALCO	DECALQUE	ETIKETTE	DECAL	CARTEL	1	1	1
37	CP053886	DECALCO	DECALQUE	ETIKETTE	DECAL	CARTEL		1	1
37	CP053890	DECALCO	DECALQUE	ETIKETTE	DECAL	CARTEL	1		
38	CP053860	DECALCO GREENTEA	DECALQUE	ETIKETTE	DECAL	CARTEL	1		
38	CP053861	DECALCO GALAXY	DECALQUE	ETIKETTE	DECAL	CARTEL		1	
38	CP053862	DECALCO SPARTAN	DECALQUE	ETIKETTE	DECAL	CARTEL			1
39	CP019910	MORSETTO	ATTACHE CABLE	KABELBESCHWERER	CLIP	FIJADOR CABLE	1	1	1
40	CP046617	CAPPELOTTO SFERICO	CLIP	RÜCKHALT	RETAINER	ANILLO CLIP	4	4	4

GT 40 E ACCU - SP 40 E ACCU

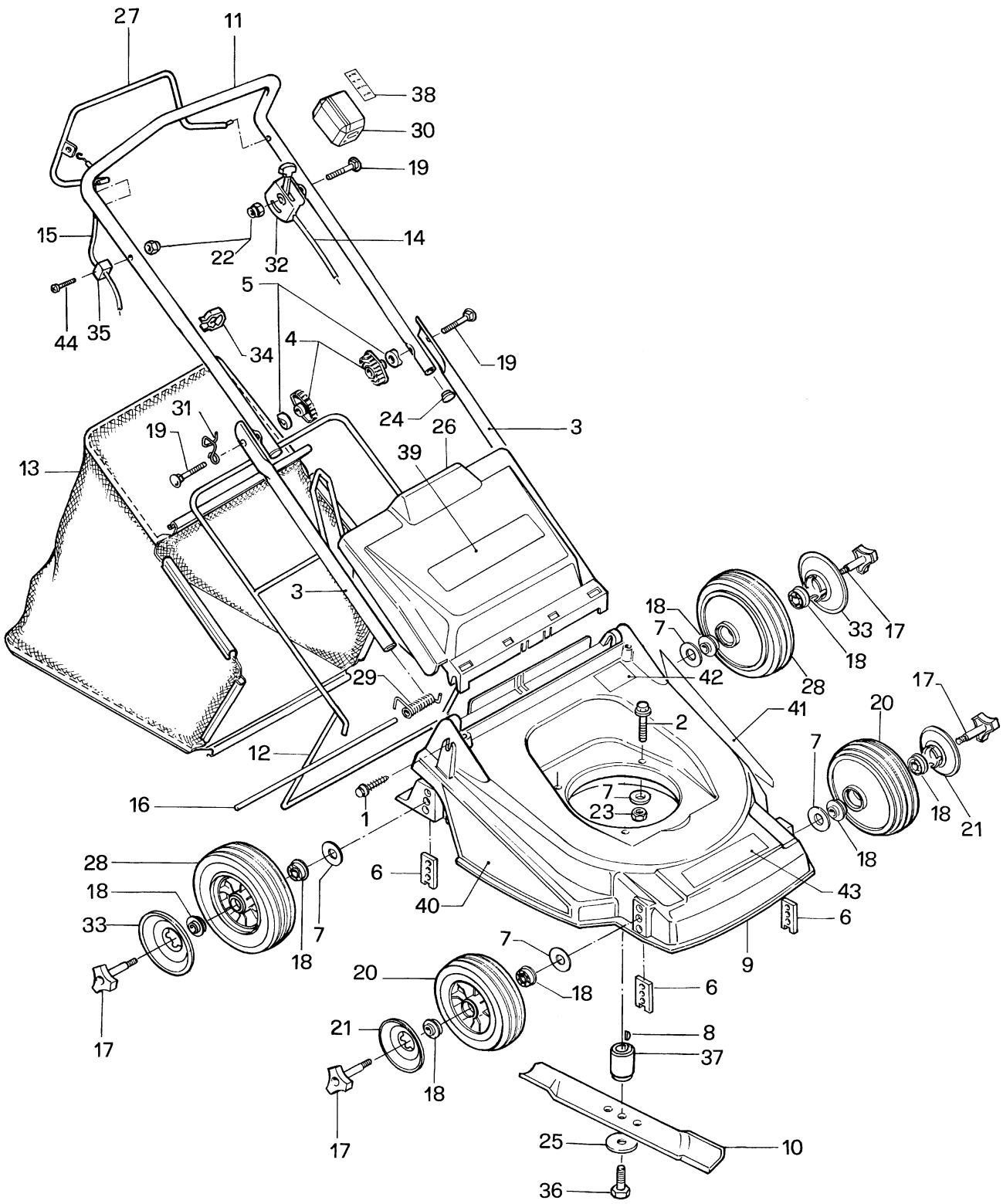


MA.RI.NA.

GT 40 E ACCU - SP 40 E ACCU

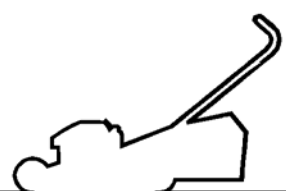
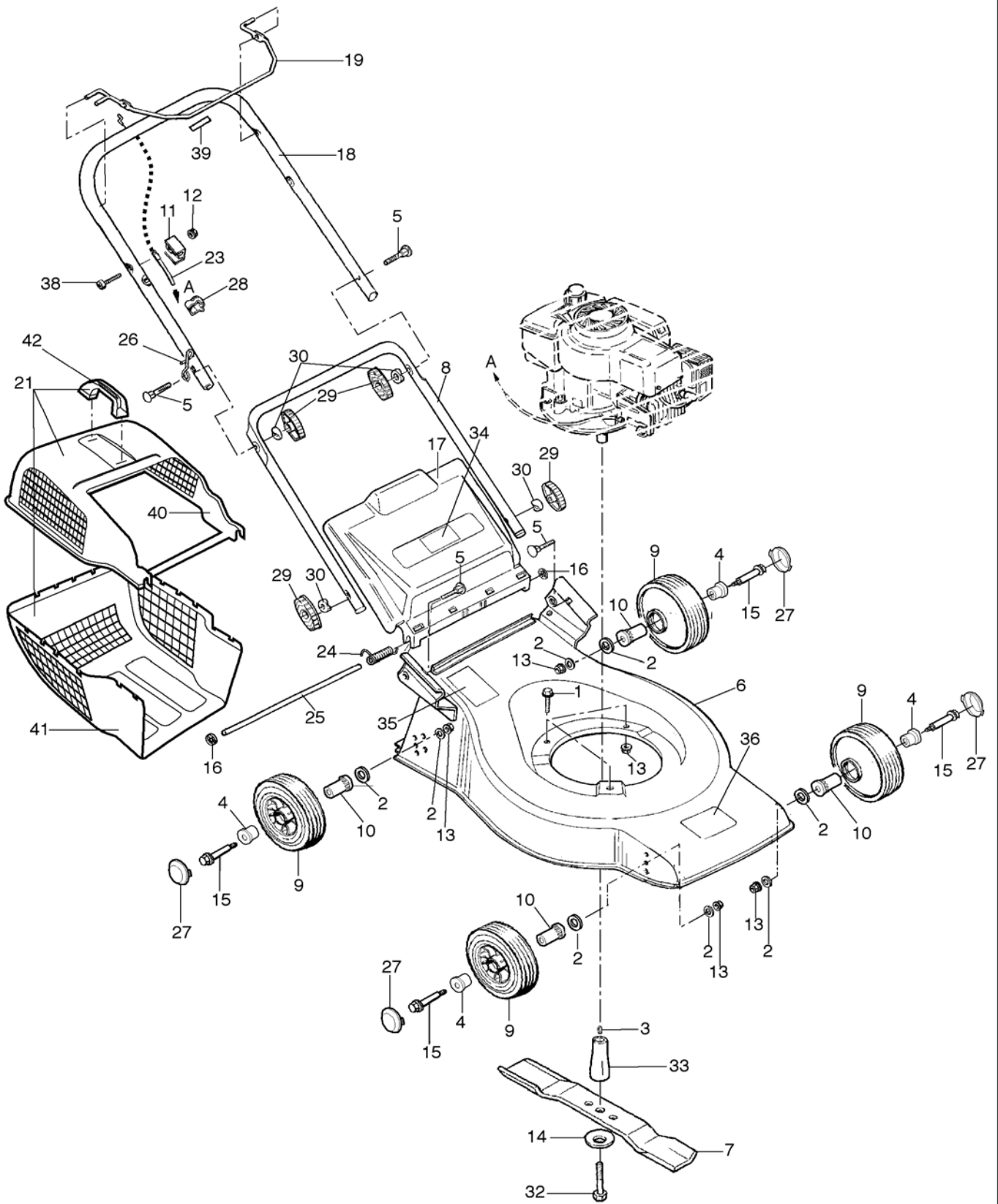
POS.	CODICE	I	F	D	GB	E	GT 40	SP 40
1	CP018124F	MOTORE	MOTEUR	MOTOR	ENGINE	MOTOR	1	1
2	CP018075F	MOTORE ELETT. 24	MOTEUR	MOTOR	ENGINE	MOTOR	1	1
3	CP018610	BLOCCO BATTERIE	ACCUMULATEUR	AKKU	BATTERY	ACUMULADOR	1	1
4	CP019615	CARICABATTERIA	CHARGEUR	AKKU-LADEGERÄT	CHARGER	CARGADOR	1	1
5	CP019620	SPINA DI SICUREZZA	GOUPILLE	STACHEL	PIN	PASADOR	1	1
6	CP026338	VITE AUTOF.	VIS	SCHRAUBE	SCREW	TORNILLO	2	2
7	CP030855	VITE TE	VIS	SCHRAUBE	SCREW	TORNILLO	3	3
8	CP032033	MANICO INF.	GUIDON	STIEL	HANDLE	MANILLAR	2	2
9	CP032228	POMOLO MANICO	ÉCROU	GRIFF	KNOB HANDLE	POMO MANILLAR	2	2
10	CP032230	RONDELLA	RONDELLE	SCHEIBE	WASHER	ARANDELA	2	2
11	CP032250	PIASTRINA	PLAQUE	PLÄTTCHEN	PLATE	PLANCHA	4	4
12	CP032908	RONDELLA	RONDELLE	SCHEIBE	WASHER	ARANDELA	1	1
13	CP032910	RONDELLA	RONDELLE	SCHEIBE	WASHER	ARANDELA	3	3
14	CP040001	CHASSIS	CARTER	GEHÄUSE	DECK	CHASIS	1	
14	CP040001.12	CHASSIS	CARTER	GEHÄUSE	DECK	CHASIS		1
15	CP040012	LAMA	LAME	MESSER	BLADE	CUCHILLA	1	1
16	CP040038	MANICO SUPERIORE	GUIDON	STIEL	HANDLE	MANILLAR	1	1
17	CP040078	TELAIO CESTO	ATTELAGE	GRASFANGRAHMEN	FRAME	ARMAZON SACO	1	1
18	CP040083	TELA CESTO BIANCA	SAC RAMASSEUR	GRASFANGSACK	GRASS BAG	SACO TELA	1	
18	CP040083.05	TELA CESTO NERA	SAC RAMASSEUR	GRASFANGSACK	GRASS BAG	SACO TELA		1
19	CP040185	INTERRUPTORE	INTERRUPTEUR	SCHALTER	SWITCH	INTERRUPTOR	1	1
20	CP040203	ASTINA	AXE PIVOT	STANGE	HINGE PIN	EJE DEFLECTOR	1	1
21	CP040208	MOZZO LAMA	PORTE LAME	MESSERHALTER	BLADE ADAPTOR	PORTA CUCHILLA	1	1
22	CP040224	POMOLO RUOTA	AXE ROUE	RADSTIFT	PIN	EJE RUEDA	4	4
23	CP040226	BOCCOLA	BOUCLE	BÜCHSE	BUSH	COJINETE	8	8
24	CP040640	VITE TTQST	VIS	SCHRAUBE	SCREW	TORNILLO	2	2
25	CP042109	RUOTA 150	ROUE	RAD	WHEEL	RUEDA	2	2
26	CP042129	COPRIRUOTA 150	CACHE MOYEU	RADDECKUNG	HUB CAP	TAPA RUEDA	2	2
27	CP045718	TAPPO	COUVERCLE	KAPPE	CAP	TAPA	2	2
28	CP047018	PARASASSI	DEFLECTEUR	DEFLEKTOR	REAR DOOR	DEFLETOR	1	1
29	CP047109	RUOTA 180	ROUE	RAD	WHEEL	RUEDA	2	2
30	CP047193	MOLLA PARASASSI	RESSORT	FEDER	SPRING	MUELLE	1	1
31	CP050129	COPRIRUOTA 180	CACHE MOYEU	RADDECKUNG	HUB CAP	TAPA RUEDA	2	2
32	CP050222	FERMACAVO	ATTACHE CABLE	KABELBESCHWERE	CLIP	FIJADOR CABLE	1	1
33	CP050530	VITE	VIS	SCHRAUBE	SCREW	TORNILLO	2	2
34	CP050844	VITE TE UNF	VIS	SCHRAUBE	SCREW	TORNILLO	1	1
35	CP053714	DECALCO	DECALQUE	ETIKETTE	DECAL	CARTEL	1	1
36	CP053722	DECALCO	DECALQUE	ETIKETTE	DECAL	CARTEL	1	
37	CP053723	DECALCO	DECALQUE	ETIKETTE	DECAL	CARTEL	1	
38	CP053812	DECALCO	DECALQUE	ETIKETTE	DECAL	CARTEL	1	1
39	CP053860	DECALCO	DECALQUE	ETIKETTE	DECAL	CARTEL	1	
39	CP053862	DECALCO	DECALQUE	ETIKETTE	DECAL	CARTEL		1

GT 40 - GX 40 - SP 40

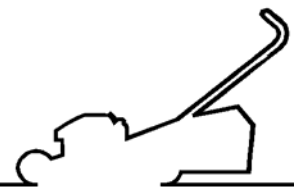
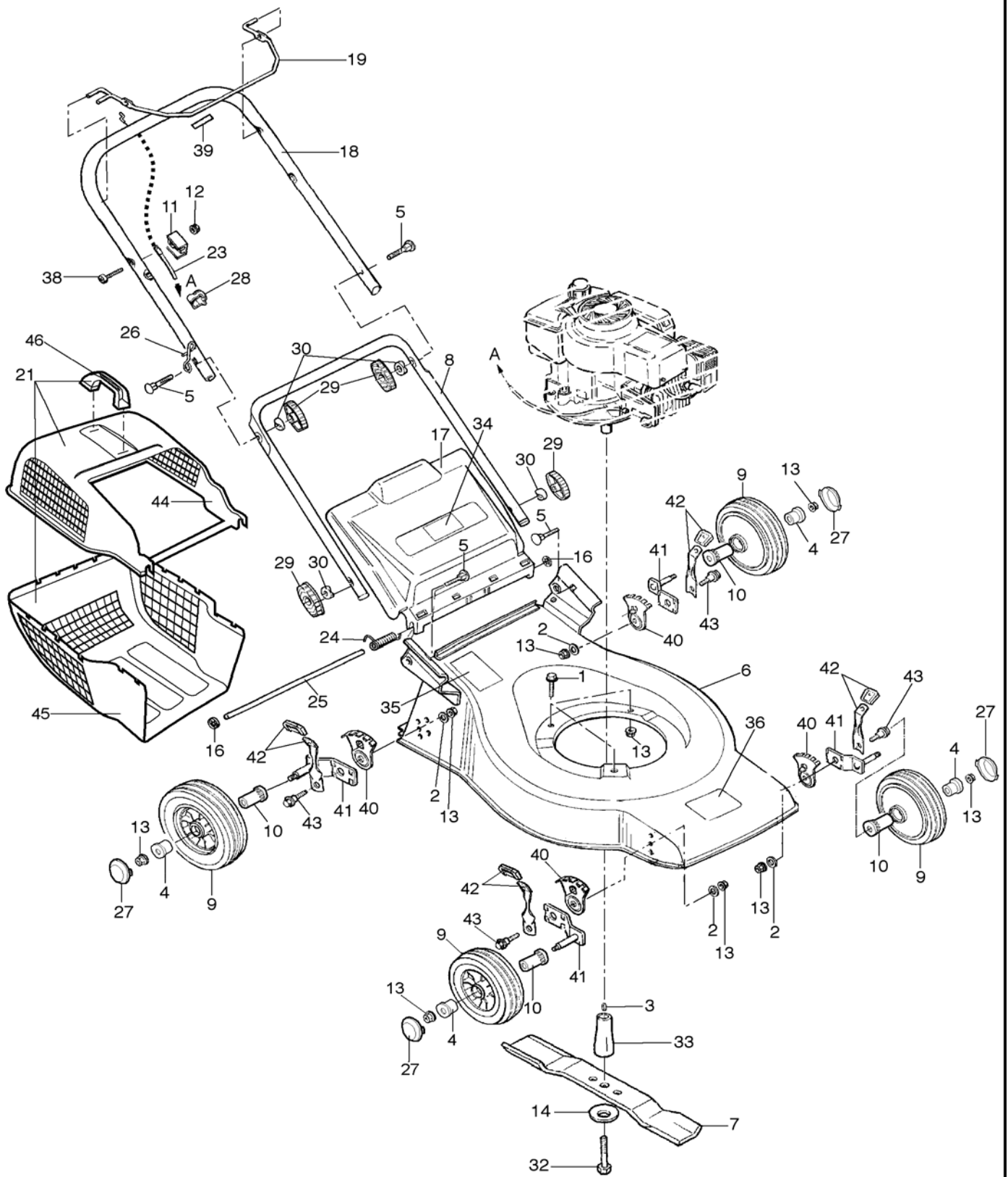


POS.	CODICE	I	F	D	GB	E	GT 40	GX 40	SP 40
1	CP026338	VITE AUTOF.	VIS	SCHRAUBE	SCREW	TORNILLO	2	2	2
2	CP030855	VITE TE	VIS	SCHRAUBE	SCREW	TORNILLO	3	3	3
3	CP032033	MANICO INF.	GUIDON	STIEL	HANDLE	MANILLAR	2	2	2
4	CP032228	POMOLO MANICO	ÉCROU	GRIFF	KNOB HANDLE	POMO MANILLAR	2	2	2
5	CP032230	RONDELLA	RONDELLE	SCHEIBE	WASHER	ARANDELA	2	2	2
6	CP032250	PIASTRINA	PLAQUE	PLÄTTCHEN	PLATE	PLANCHA	4	4	4
7	CP032909	RONDELLA	RONDELLE	SCHEIBE	WASHER	ARANDELA	7	7	7
8	CP037406	CHIAVETTA	CLAVETTE	SCHLÜSSELCHEN	WOODRUFF KEY	CHAVETA	1	1	1
9	CP040001	CHASSIS	CARTER	GEHÄUSE	DECK	CHASIS	1		
9	CP040001.02	CHASSIS ROSSO	CARTER	GEHÄUSE	DECK	CHASIS RAL 3000		1	
9	CP040001.12	CHASSIS	CARTER	GEHÄUSE	DECK	CHASIS			1
10	CP040013	LAMA	LAME	MESSER	BLADE	CUCHILLA	1	1	1
11	CP040042	MANICO SUP.	GUIDON	STIEL	HANDLE	MANILLAR	1	1	1
12	CP040078	TELAIO CESTO	ATTELAGE	GRASFANGGRAHMEN	FRAME	ARMAZON SACO	1	1	1
13	CP040083	TELA CESTO BIANCA	SAC RAMASSEUR	GRASFANGSACK	GRASS BAG	SACO TELA	1		
13	CP040083.05	TELA CESTO NERA	SAC RAMASSEUR	GRASFANGSACK	GRASS BAG	SACO TELA		1	1
14	?-TAB-AC	CAVO ACCELERATOR	CABLE GAZ	KABEL	CABLE	CABLE	1	1	
15	?-TAB-FR	CAVO FRENO	CABLE FREIN	KABEL	CABLE	CABLE	1	1	1
16	CP040203	ASTINA	AXE PIVOT	STANGE	HINGE PIN	EJE DEFLECTOR	1	1	1
17	CP040224	POMOLO RUOTA	AXE ROUE	RADSTIFT	PIN	EJE RUEDA	4	4	4
18	CP040226	BOCCOLA	BOUCLE	BÜCHSE	BUSH	COJINETE	8	8	8
19	CP040640	VITE TTQST	VIS	SCHRAUBE	SCREW	TORNILLO	3	3	2
20	CP042109	RUOTA 150	ROUE	RAD	WHEEL	RUEDA	2	2	2
21	CP042129	COPRIRUOTA 150	CACHE MOYEU	RADDECKUNG	HUB CAP	TAPA RUEDA	2	2	2
22	CP042806	DADO	ÉCROU	MUTTER	KNOB	ESPARRAGO	2	2	1
23	CP044708	DADO	ÉCROU	MUTTER	KNOB	ESPARRAGO	3	3	3
24	CP045718	TAPPO	COUVERCLE	KAPPE	CAP	TAPA	2	2	2
25	CP045918	MOLLA A TAZZA	RONDELLE	SCHEIBE	WASHER	MUELLE	1	1	1
26	CP047018	PARASASSI	DEFLECTEUR	DEFLEKTOR	REAR DOOR	DEFLETOR	1	1	1
27	CP047071	LEVA FRENO	LEVIER FREIN	STANGE	LEVER	LEVA	1	1	1
28	CP047109	RUOTA 180	ROUE	RAD	WHEEL	RUEDA	2	2	2
29	CP047193	MOLLA PARASASSI	RESSORT	FEDER	SPRING	MUELLE	1	1	1
30	CP047220	COPRIACCELERATOR	BOITE	GETRIEBE	GEAR BOX	CAJA	1		
31	CP047242	GANCIO FUNE AVV.	PORTE CABLE	KABELHALTER	CABLE SUPPORT	FIJADOR CABLE	1	1	1
32	CP047250	COMANDO ACCELER.	LEVIER	STANGE	THROTTLE LEVER	LEVA	1	1	
33	CP050129	COPRIRUOTA 180	CACHE MOYEU	RADDECKUNG	HUB CAP	TAPA RUEDA	2	2	2
34	CP050222	FERMACAVO	ATTACHE CABLE	KABELBESCHWERER	CLIP	FIJADOR CABLE	2	2	2
35	CP042216	BLOCCETTO CAVO	ATTACHE CABLE FRE	KABELBESCHWERER	CLIP	FIJADOR CABLE	1	1	1
36	CP050964	VITE LAMA	VIS	SCHRAUBE	SCREW	TORNILLO	1	1	1
37	CP053272	MOZZO LAMA 22	PORTE LAME	MESSERHALTER	BLADE ADAPTOR	PORTA CUCHILLA	1	1	1
38	CP053713	DECALCO	DECALQUE	ETIKETTE	DECAL	CARTEL	1	1	
39	CP053715	DECALCO	DECALQUE	ETIKETTE	DECAL	CARTEL	1	1	1
40	CP053722	DECALCO	DECALQUE	ETIKETTE	DECAL	CARTEL	1		
41	CP053723	DECALCO	DECALQUE	ETIKETTE	DECAL	CARTEL	1		
42	CP053810	DECALCO	DECALQUE	ETIKETTE	DECAL	CARTEL	1	1	1
43	CP053860	DECALCO	DECALQUE	ETIKETTE	DECAL	CARTEL	1		
43	CP053861	DECALCO GALAXY	DECALQUE	ETIKETTE	DECAL	CARTEL		1	
43	CP053862	DECALCO	DECALQUE	ETIKETTE	DECAL	CARTEL			1
44	CP060640	VITE TC	VIS	SCHRAUBE	SCREW	TORNILLO	1	1	1

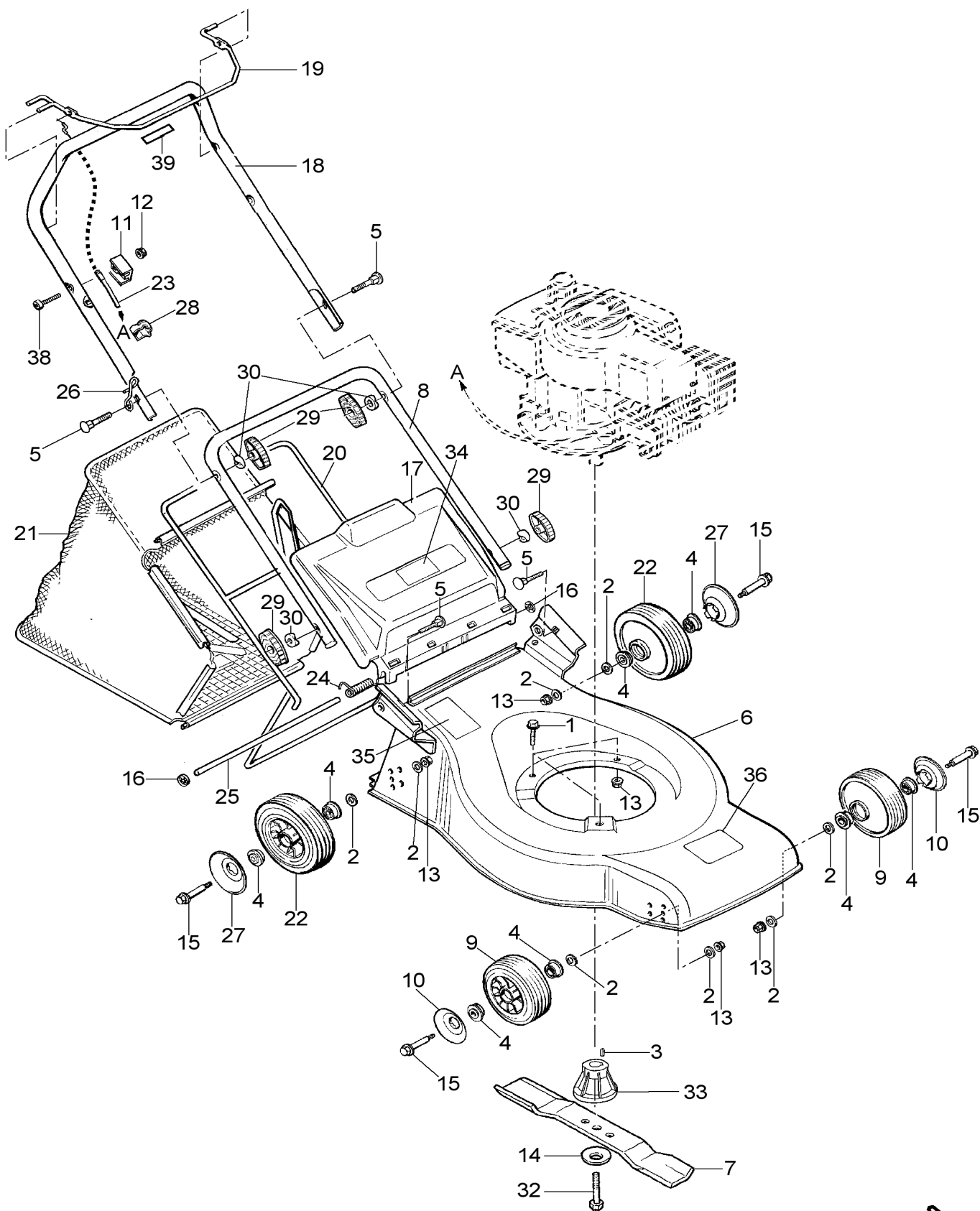
GX 400



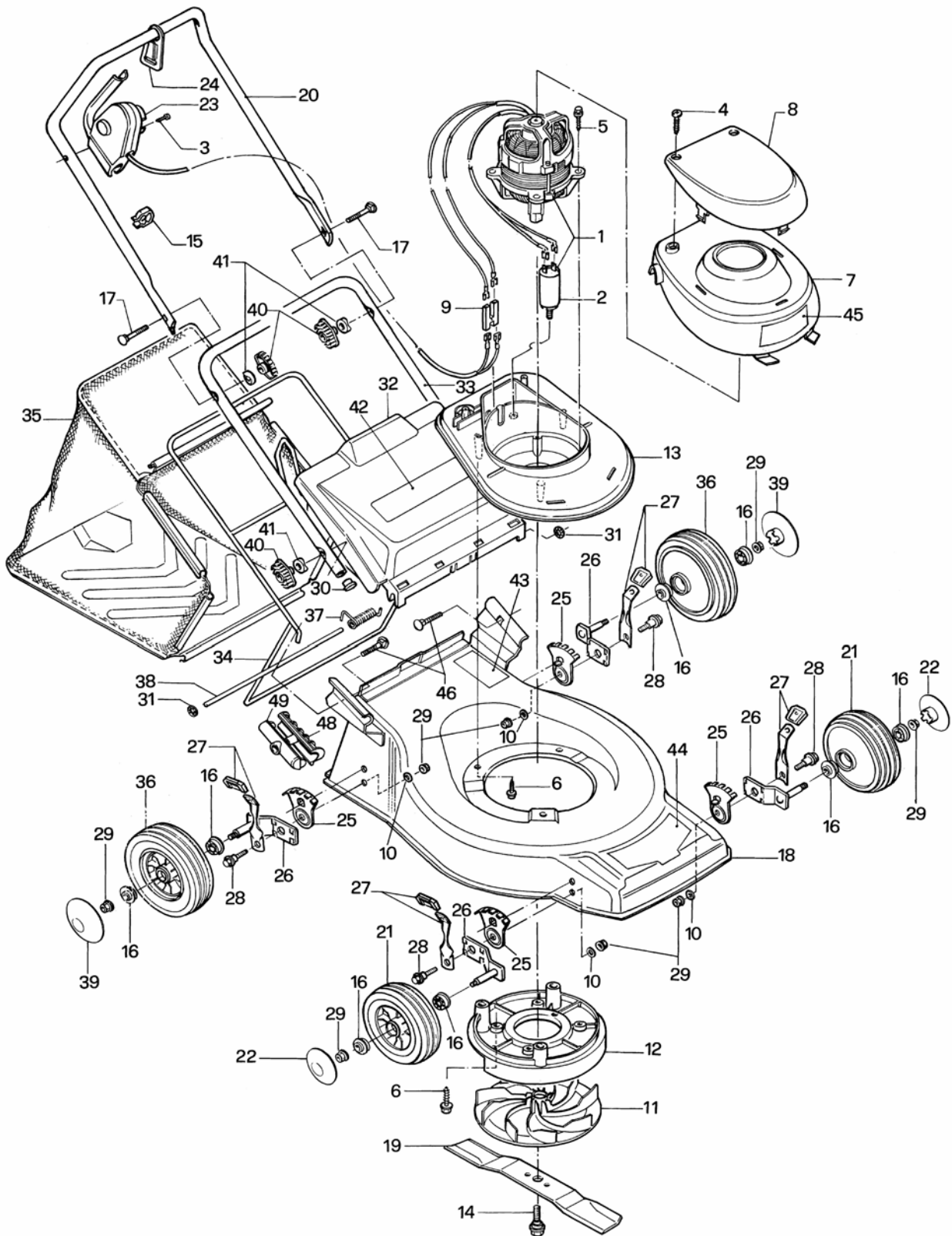
GX 400 L

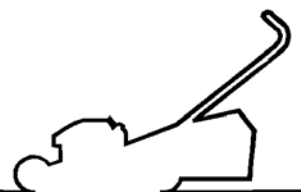
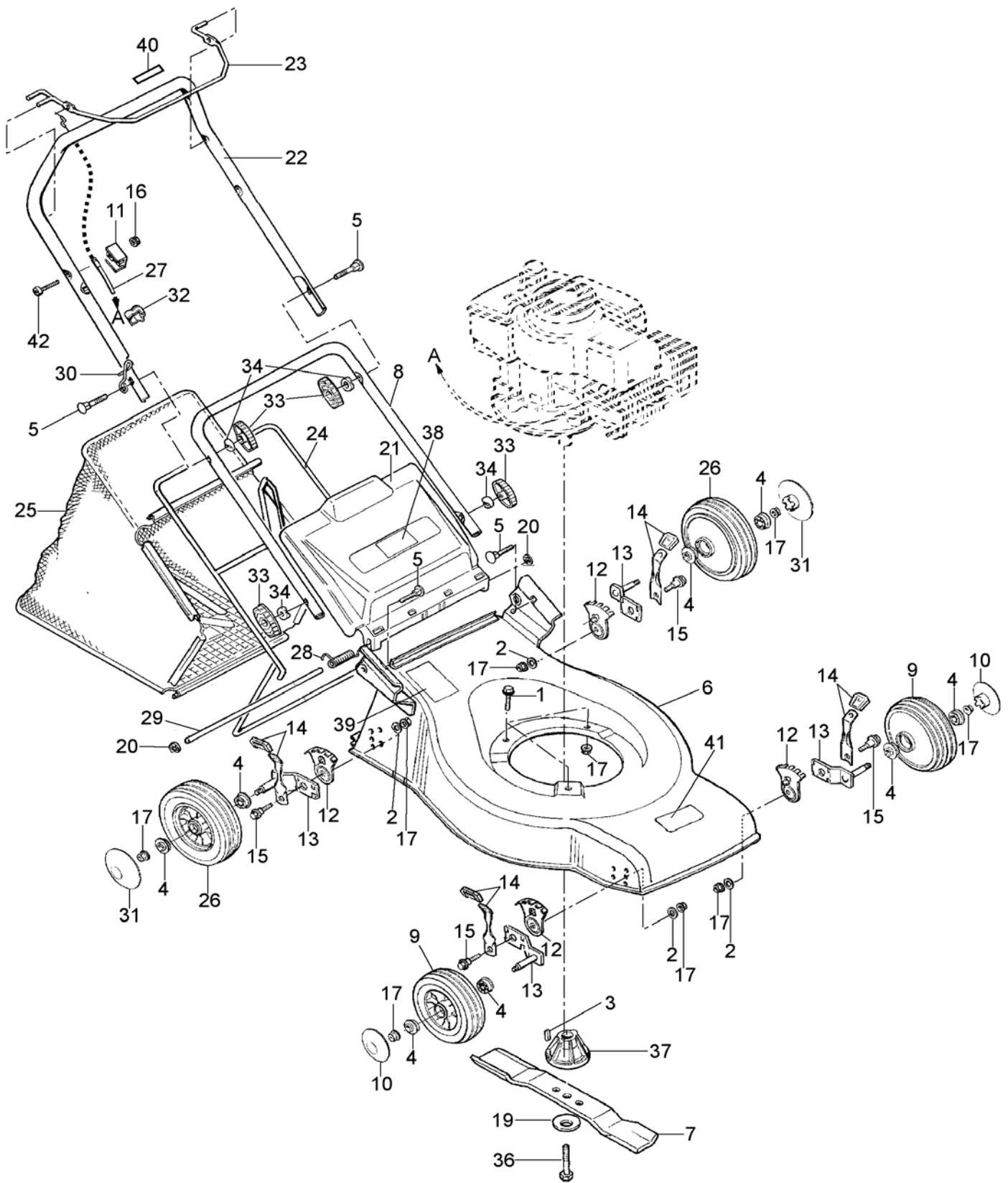


RECORD 1

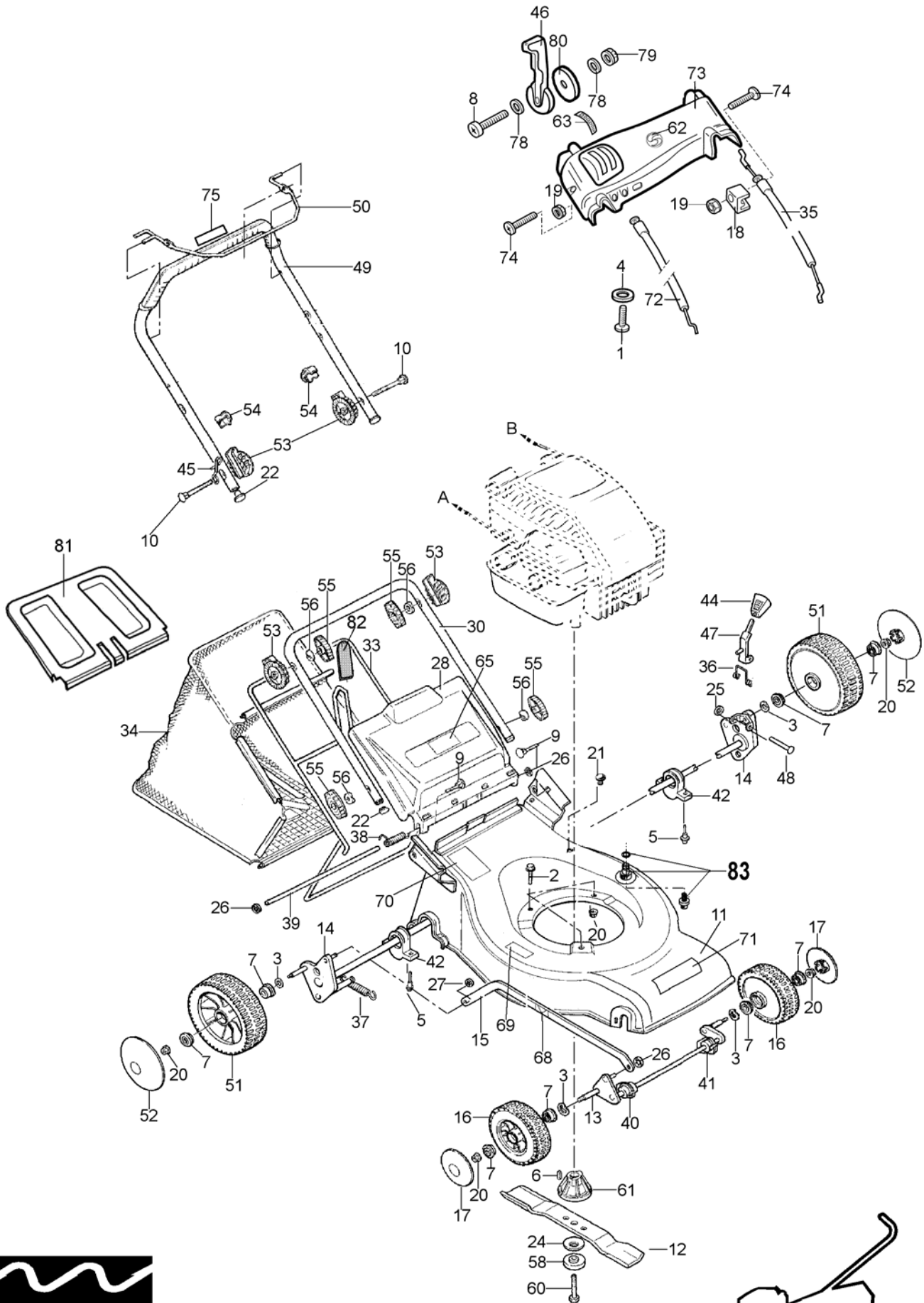


SP 41 E



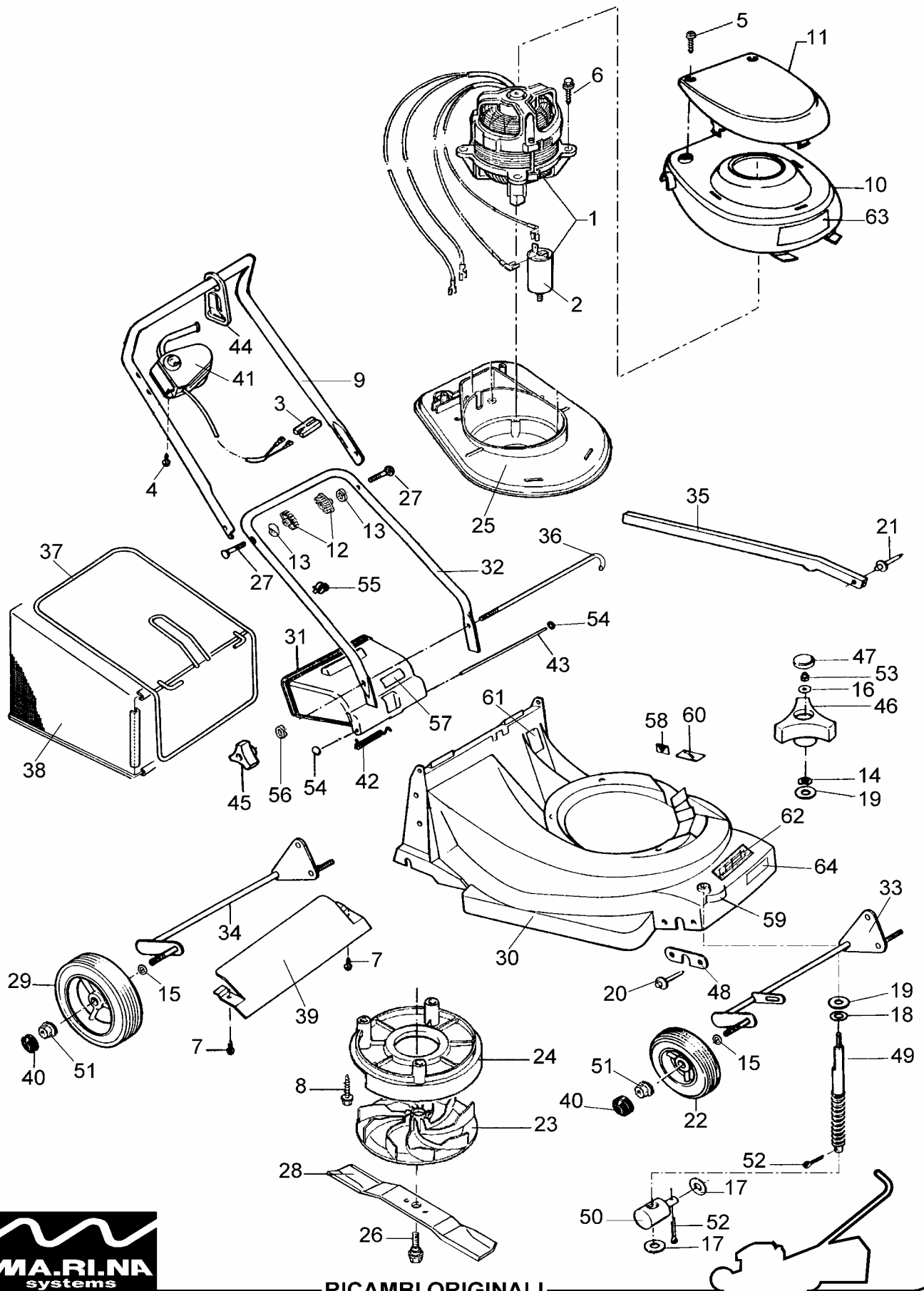


MX 41



POS.	CODICE	I	F	D	GB	E	Q.ta
1	CP026332	VITE AUTOF.	VIS	SCHRAUBE	SCREW	TORNILLO	1
2	CP030830	VITE TE	VIS	SCHRAUBE	SCREW	TORNILLO	3
3	CP032813	RONDELLA	RONDELLE	SCHEIBE	WASHER	ARANDELA	4
3	CP032913	RONDELLA	RONDELLE	SCHEIBE	WASHER	ARANDELA	X RUOTE CP042118.98-CP047118.98
4	CP032916	RONDELLA	RONDELLE	SCHEIBE	WASHER	ARANDELA	1
5	CP034615	RIVETTO	RIVET	NIET	RIVET	CLAVO	4
6	CP037406	CHIAVETTA	CLAVETTE	SCHLÜSSELCHEN	WOODRUFF KEY	CHAVETA	1
7	CP038227	CUSCINETTO 12X27	ROULEMENT	KUGELLAGER	BALL BEARING	COJINETE	8
7	CP038228	CUSCINETTO	ROULEMENT	KUGELLAGER	BALL BEARING	COJINETE	X RUOTE CP042118.98-CP047118.98
8	CP060630	VITE TC	VIS	SCHRAUBE	SCREW	TORNILLO	1
9	CP040850	VITE TTQST	VIS	SCHRAUBE	SCREW	TORNILLO	2
10	CP040875	VITE TTQST	VIS	SCHRAUBE	SCREW	TORNILLO	2
11	CP041001.90	CHASSIS INOX	CARTER	GEHÄUSE	DECK	CHASIS	1
12	CP042013	LAMA	LAME	MESSER	BLADE	CUCHILLA	1
13	CP042048	ASSALE ANT	AXE AVANT	VORDERACHSE	FRONT AXLE	EJE ANTERIOR	1
14	CP042053	ASSALE POS	AXE ARRIERE	HINTERACHSE	REAR AXLE	EJE POSTERIOR	1
15	CP042063	TIRANTE ASSALE	BARRE	GESTÄNGE	LINK ROD	TIRANTE EJE	1
16	CP042108	RUOTA 150	ROUE	RAD	WHEEL	RUEDA	2 (fino a / till 12/2005)
16	CP042118.98	RUOTA 150 PH ZINCATA	ROUE ACIER	VERZINKTES RAD	ZINC WHEEL	RUEDA ZINC	2 (da / from 01/2006)
17	CP042127.23	COPRIRUOTA 150	CACHE MOYEU	RADDECKUNG	HUB CAP	TAPA RUEDA	2 (da/from 04/2004 a/to 12/2005)
17	CP042128.23	COPRIRUOTA 150	CACHE MOYEU	RADDECKUNG	HUB CAP	TAPA RUEDA	2 (fino a / till 04/2004)
17	CP047133	COPRIRUOTA	CACHE MOYEU	RADDECKUNG	HUB CAP	TAPA RUEDA	2 (da / from 01/2006)
18	CP042216	BLOCCETTO CAVO FR	ATTACHE CABLE FREIN	KABELBESCHWERER	CLIP	FIJADOR CABLE	1
19	CP042806	DADO	ÉCROU	MUTTER	KNOB	ESPARRAGO	2
20	CP042808	DADO	ÉCROU	MUTTER	KNOB	ESPARRAGO	7
21	CP045713	TAPPO	COUVERCLE	KAPPE	CAP	TAPA	1
22	CP045722	TAPPO	COUVERCLE	KAPPE	CAP	TAPA	4
24	CP045918	MOLLA A TAZZA	RONDELLE	SCHEIBE	WASHER	MUELLE	1
25	CP046606	RITEGNO	CLIP	RÜCKHALT	RETAINER	ANILLO CLIP	1
26	CP046607	RITEGNO	CLIP	RÜCKHALT	RETAINER	ANILLO CLIP	3
27	CP046608	RITEGNO	CLIP	RÜCKHALT	RETAINER	ANILLO CLIP	1
28	CP047018.23	PARASASSI ARGENTO	DEFLECTEUR	DEFLEKTOR	REAR DOOR	DEFLECTOR	1
30	CP047034	MANICO INF.	GUIDON	STIEL	HANDLE	MANILLAR	1
33	CP047078	TELAIO CESTO	ATTELAGE	GRASFANGRAHMEN	FRAME	ARMAZON SACO	1
34	CP047083	TELA CESTO BIANCA	SAC RAMASSEUR	GRASFANGSACK	GRASS BAG	SACO TELA	1
35	CP042148	CAVO FRENO	CABLE FREIN	KABEL	CABLE	CABLE	1 HONDA (<11/2004)
35	CP052149	CAVO FRENO	CABLE FREIN	KABEL	CABLE	CABLE	1 HONDA (>=11/2004)
35	CP047148	CAVO FRENO	CABLE FREIN	KABEL	CABLE	CABLE	1 B&S (<11/2004)
35	CP046148	CAVO FRENO	CABLE FREIN	KABEL	CABLE	CABLE	1 B&S (>=11/2004)
36	CP047191	MOLLA	RESSORT	FEDER	SPRING	MUELLE	1
37	CP047192	MOLLA	RESSORT	FEDER	SPRING	MUELLE	1
38	CP050192	MOLLA PARASASSI	RESSORT	FEDER	SPRING	MUELLE	1
39	CP047203	ASTINA	AXE PIVOT	STANGE	HINGE PIN	EJE DEFLECTOR	1
40	CP047212	SUPPORTO ASSALE	SUPPORT	ACHSELAGER	SUPPORT	SOPORTE	1
41	CP047213	SUPPORTO ASSALE	SUPPORT	ACHSELAGER	SUPPORT	SOPORTE	1
42	CP047214	SUPPORTO ASSALE	SUPPORT	ACHSELAGER	SUPPORT	SOPORTE	2
44	CP047236	CAPPUCCIO	CACHE MOYEU	KAPPE	HOOD	POMO	1
45	CP047242	GANCIO FUNE AVV.	PORTE CABLE	KABELHALTER	CABLE SUPPORT	FIJADOR CABLE	1
46	CP050224	LEVA DI COMANDO	LEVIER	STANGE	LEVER	LEVA	1
47	CP047255	LEVA ALZO	LEVIER	STANGE	LEVER	LEVA ALTURAS	1
48	CP047267	PERNO	GOUJON	ZAPFEN	PIN	PERNO	1
49	CP050043	MANICO SUP.	GUIDON	STIEL	HANDLE	MANILLAR	1
50	CP050071	LEVA FRENO	LEVIER FREIN	STANGE	LEVER	LEVA	1
51	CP050108	RUOTA 180	ROUE	RAD	WHEEL	RUEDA	2 (fino a / till 12/2005)
51	CP047118.98	RUOTA 180 PH ZINCATA	ROUE ACIER	VERZINKTES RAD	ZINC WHEEL	RUEDA ZINC	2 (da / from 01/2006)
52	CP050127.23	COPRIRUOTA 180	CACHE MOYEU	RADDECKUNG	HUB CAP	TAPA RUEDA	2 (da/from 04/2004 a/to 12/2005)
52	CP050128.23	COPRIRUOTA 180	CACHE MOYEU	RADDECKUNG	HUB CAP	TAPA RUEDA	2 (fino a / till 04/2004)
52	CP047133	COPRIRUOTA	CACHE MOYEU	RADDECKUNG	HUB CAP	TAPA RUEDA	2 (da / from 01/2006)
53	CP050212	REGOLATORE MANICO	REGLAGE DE GUIDON	STIELREGULATOR	HANDLE REGULATOR	REGULADOR MANILLAR	4
54	CP050222	FERMACAVO	ATTACHE CABLE	KABELBESCHWERER	CLIP	FIJADOR CABLE	2
55	CP050228	POMOLO MANICO	ÉCROU	GRIFF	KNOB HANDLE	POMO MANILLAR	4
56	CP050230	RONDELLA	RONDELLE	SCHEIBE	WASHER	ARANDELA	4
58	CP053250	RONDELLA	RONDELLE	SCHEIBE	WASHER	ARANDELA	1
60	CP050964	VITE LAMA	VIS	SCHRAUBE	SCREW	TORNILLO	1
61	CP053273	MOZZO LAMA 22	PORTE LAME	MESSERHALTER	BLADE ADAPTOR	PORTA CUCHILLA	1
62	CP053911	DECALCO	DECALQUE	ETIKETTE	DECAL	CARTEL	1
63	CP053710	DECALCO	DECALQUE	ETIKETTE	DECAL	CARTEL	1
65	CP053715	DECALCO	DECALQUE	ETIKETTE	DECAL	CARTEL	1
68	CP053802	DECALCO	DECALQUE	ETIKETTE	DECAL	CARTEL	1
69	CP053806	DECALCO	DECALQUE	ETIKETTE	DECAL	CARTEL	1
70	CP053813	DECALCO	DECALQUE	ETIKETTE	DECAL	CARTEL	1
71	CP053908	DECALCO MARINOX	DECALQUE	ETIKETTE	DECAL	CARTEL	1
72	CP047145	CAVO ACCELERATORE	CABLE GAZ	BESCHLEUNIGER	THROTTLE CABLE	ACELERADOR	1 HONDA
72	CP050145	CAVO ACCELERATORE	CABLE GAZ	BESCHLEUNIGER	THROTTLE CABLE	ACELERADOR	1 B&S
73	CP050225.23	PLANCIA ARGENTO	TABEAU DE BORD	ARMATURENBRETT	DASH-BOARD	PLACA DEL MANILLAR	1
74	CP060640	VITE TC	VIS	SCHRAUBE	SCREW	TORNILLO	2
75	CP053842	DECALCO	DECALQUE	ETIKETTE	DECAL	CARTEL	1
78	CP032907	RONDELLA	RONDELLE	SCHEIBE	WASHER	ARANDELA	2
79	CP044906	DADO	ÉCROU	MUTTER	KNOB	ESPARRAGO	1
80	CP053238	RONDELLA	RONDELLE	SCHEIBE	WASHER	ARANDELA	1
81	CP047023	COPRICESTO NERO	COUVERCLE	GRASFANFSACKDECKU	BAG COVER	CARCASA	1
82	CP046225	IMPUGNATURA	COUVERCLE	SCHUTZ	COVER	TAPA	1
83	CP052225	INNESTO RAPIDO	RACCORD DE L'EAU	SPUELDUESE	WATER CONNECTOR	ENLACE	1

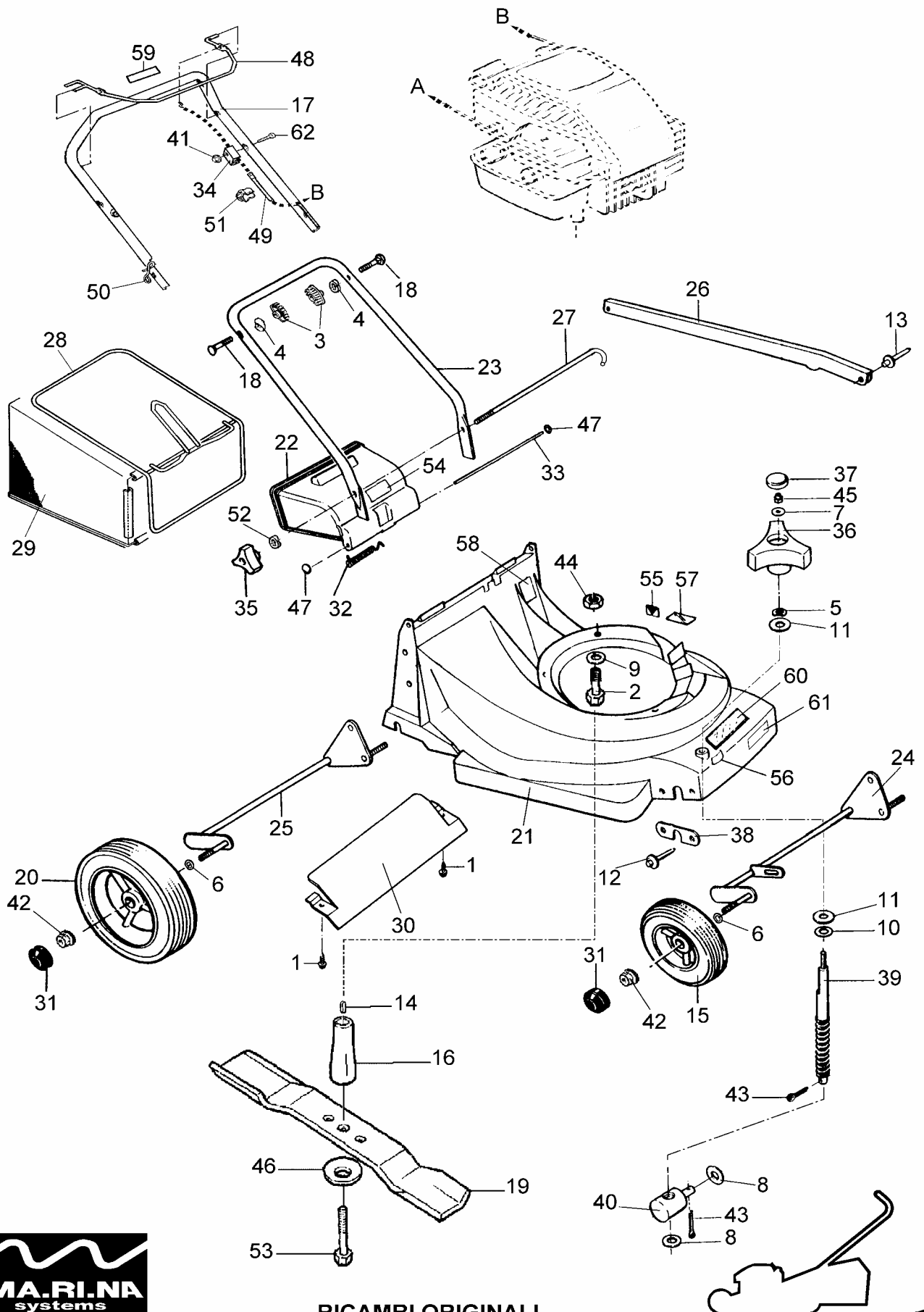
PRIMO 420 E



RICAMBI ORIGINALI

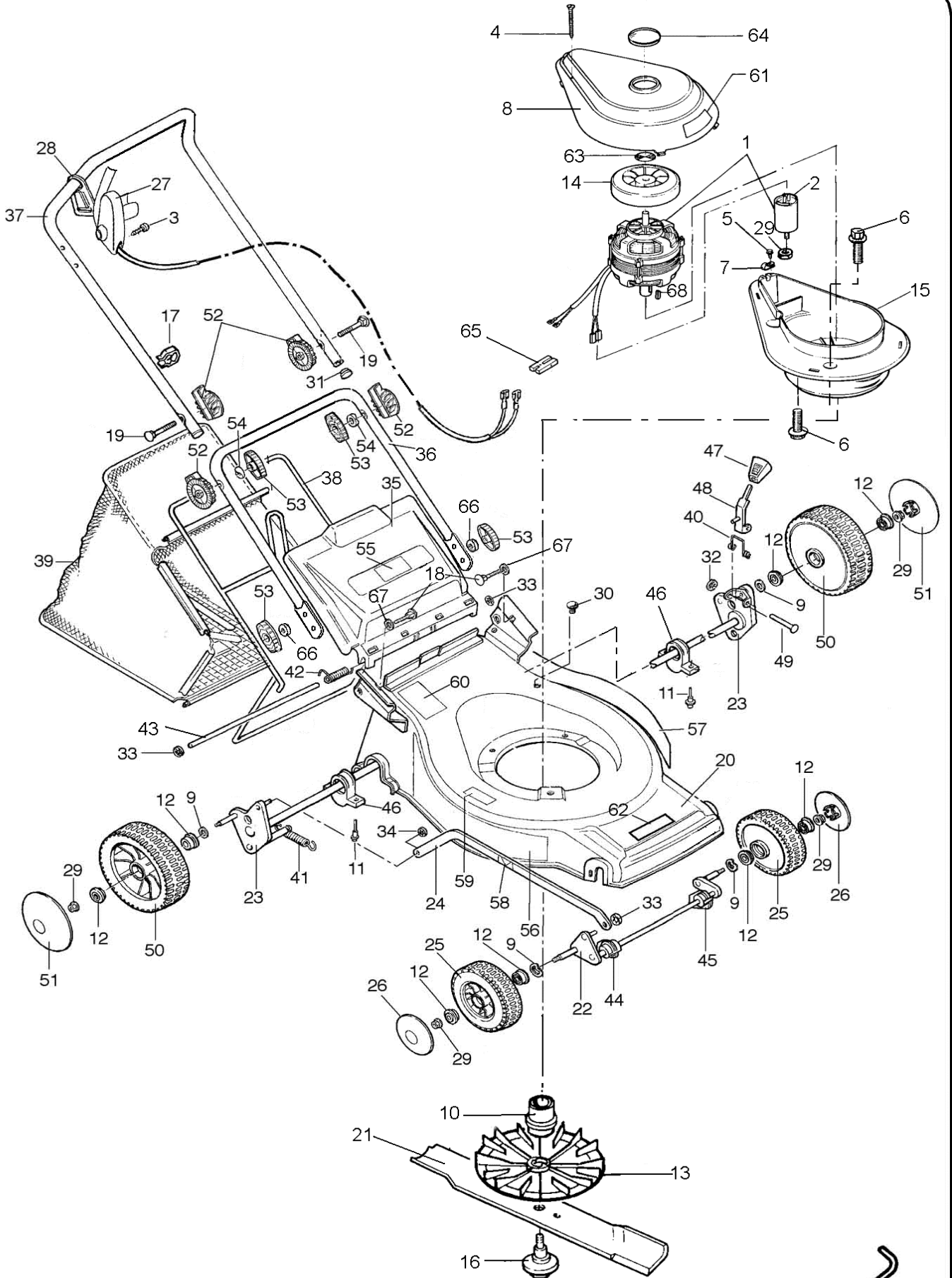
POS.	CODICE	I	F	D	GB	E	Q.tà
1	CP017130F	MOTORE EL. 1300 W	MOTEUR	MOTOR	ENGINE	MOTOR	1
2	CP019816	CONDENSATORE 16 MF	CONDENSATEUR	KONDENSATOR	CONDENSER	CONDENSADOR	1
3	CP019910	MORSETTO	ATTACHE CABLE	KABELBESCHWERER	CLIP	FIJADOR CABLE	1
4	CP023925	VITE AUTOF.	VIS	SCHRAUBE	SCREW	TORNILLO	2
5	CP025030	VITE AUTOF.	VIS	SCHRAUBE	SCREW	TORNILLO	2
6	CP026030	VITE AUTOF.	VIS	SCHRAUBE	SCREW	TORNILLO	4
7	CP026323	VITE AUTOF.	VIS	SCHRAUBE	SCREW	TORNILLO	2
8	CP026350	VITE AUTOF.	VIS	SCHRAUBE	SCREW	TORNILLO	3
9	CP032038	MANICO SUP.	GUIDON	STIEL	HANDLE	MANILLAR	1
10	CP032102	CUPOLINA INF. BIANCA	CALOTTE	VERKLEIDUNG	COVER	CARCASA	1
11	CP032103.02	CUPOLINA SUP. ROSSA	CALOTTE	VERKLEIDUNG	COVER	CARCASA RAL 3000	1
12	CP032228	POMOLO MANICO	ÉCROU	GRIFF	KNOB HANDLE	POMO MANILLAR	2
13	CP032230	RONDELLA	RONDELLE	SCHIBE	WASHER	ARANDELA	2
14	CP032808	RONDELLA	RONDELLE	SCHIBE	WASHER	ARANDELA	1
15	CP032812	RONDELLA	RONDELLE	SCHIBE	WASHER	ARANDELA	4
16	CP032904	RONDELLA	RONDELLE	SCHIBE	WASHER	ARANDELA	1
17	CP032908	RONDELLA	RONDELLE	SCHIBE	WASHER	ARANDELA	2
18	CP032917	RONDELLA TEMPRATA	RONDELLE	SCHIBE	WASHER	ARANDELA	1
19	CP032919	RONDELLA SP 0,5	RONDELLE	SCHIBE	WASHER	ARANDELA	2
20	CP034411	RIVETTO	RIVET	NIET	RIVET	CLAVO	4
21	CP034615	RIVETTO	RIVET	NIET	RIVET	CLAVO	2
22	CP039109.23	RUOTA 150	ROUE	RAD	WHEEL	RUEDA	2
23	CP040158	VENTOLA	VENTILATEUR	LAUFRAD	FAN	VENTILADOR	1
24	CP040174	CONVOGLIATORE	CALOTTE	LAUFRADGEHÄUSE	FAN BOX	CARCASA	1
25	CP040175	BASE MOTORE	PORTE MOTEUR	MOTORGEHÄUSE	MOTOR BOX	BASE MOTOR	1
26	CP040209	VITE LAMA	VIS	SCHRAUBE	SCREW	TORNILLO	1
27	CP040640	VITE TTQST	VIS	SCHRAUBE	SCREW	TORNILLO	2
28	CP041010	LAMA	LAME	MESSER	BLADE	CUCHILLA	1
29	CP041109.23	RUOTA 180	ROUE	RAD	WHEEL	RUEDA	2
30	CP042005.02	CHASSIS ROSSO RAL 3000	CARTER	GEHÄUSE	DECK	CHASIS RAL 3000	1
31	CP042018	PARASASSI	DEFLECTEUR	DEFLEKTOR	REAR DOOR	DEFLECTÓR	1
32	CP042032	MANICO INF.	GUIDON	STIEL	HANDLE	MANILLAR	1
33	CP042046	ASSALE ANT	AXE AVANT	VORDERACHSE	FRONT AXLE	EJE ANTERIOR	1
34	CP042051	ASSALE POS	AXE ARRIERE	HINTERACHSE	REAR AXLE	EJE POSTERIOR	1
35	CP042061	TIRANTE ASSALE	BARRE	GESTÄNGE	LINK ROD	TIRANTE EJE	1
36	CP042062	TIRANTE MANICO	BARRE	GESTÄNGE	LINK HANDLE	TIRANTE MANILLAR	1
37	CP042078	TELAIO CESTO	ATTELAGE	GRASFANGRAHMEN	FRAME	ARMAZON SACO	1
38	CP042083.05	TELA CESTO NERA	SAC RAMASSEUR	GRASFANGSACK	GRASS BAG	SACO TELA	1
39	CP042094	DEFLETTORE	DEFLECTEUR	DEFLEKTOR	DEFLECTOR	DEFLECTÓR	1
40	CP042126	COPRIRUOTA	CACHE MOYEU	RADDECKUNG	HUB CAP	TAPA RUEDA	4
41	CP042185	INTERRUTTORE	INTERRUPTEUR	SCHALTER D-I-F-A-B-NL-B	SWITCH	INTERRUPTOR	1
42	CP042193	MOLLA PARASASSI	RESSORT	FEDER	SPRING	MUELLE	1
43	CP042203	ASTINA	AXE PIVOT	STANGE	HINGE PIN	EJE DEFLECTÓR	1
44	CP042222	SUPPORTO CAVO	PORTE CABLE	KABELHALTER	CABLE SUPPORT	FIJADOR CABLE	1
45	CP042228	POMOLO MANICO	ÉCROU	GRIFF	KNOB HANDLE	POMO MANILLAR	1
46	CP042236	POMOLO ALZO	ÉCROU	GRIFF	KNOB	POMO	1
47	CP042237	TAPPO POMOLO ALZO	COUVERCLE	KAPPE	CAP	TAPA	1
48	CP042246	PIASTRINA	PLAQUE	PLÄTTCHEN	PLATE	PLANCHA	2
49	CP042256	VITE ALZARUOTA	VIS	SCHRAUBE	SCREW	TORNILLO	1
50	CP042258	CHIOCCIOLA ALZARUOTA	ÉCROU SPEC.	SCHNECKE	NUT SPECIAL	TUERCA SPEC.	1
51	CP042808	DADO	ÉCROU	MUTTER	KNOB	ESPARRAGO	4
52	CP042932	COPPIGLIA	GOUPILLE	SPLINT	COTTER PIN	COPIGLIA	2
53	CP044904	DADO	ÉCROU	MUTTER	KNOB	ESPARRAGO	1
54	CP046616	CAPPELOTTO SFERICO	CLIP	RÜCKHALT	RETAINER	ANILLO CLIP	2
55	CP050222	FERMACAVO	ATTACHE CABLE	KABELBESCHWERER	CLIP	FIJADOR CABLE	1
56	CP050230	RONDELLA	RONDELLE	SCHIBE	WASHER	ARANDELA	1
57	CP053714	DECALCO	DECALQUE	ETIKETTE	DECAL	CARTEL	1
58	CP053802	DECALCO	DECALQUE	ETIKETTE	DECAL	CARTEL	1
59	CP053805	DECALCO	DECALQUE	ETIKETTE	DECAL	CARTEL	1
60	CP053806	DECALCO	DECALQUE	ETIKETTE	DECAL	CARTEL	1
61	CP053813	DECALCO	DECALQUE	ETIKETTE	DECAL	CARTEL	1
62	CP053860	DECALCO GREENTeam	DECALQUE	ETIKETTE	DECAL	CARTEL	1
63	CP053890	DECALCO	DECALQUE	ETIKETTE	DECAL	CARTEL	1
64	CP053971	DECALCO 420 E	DECALQUE	ETIKETTE	DECAL	CARTEL	1

PRIMO 424



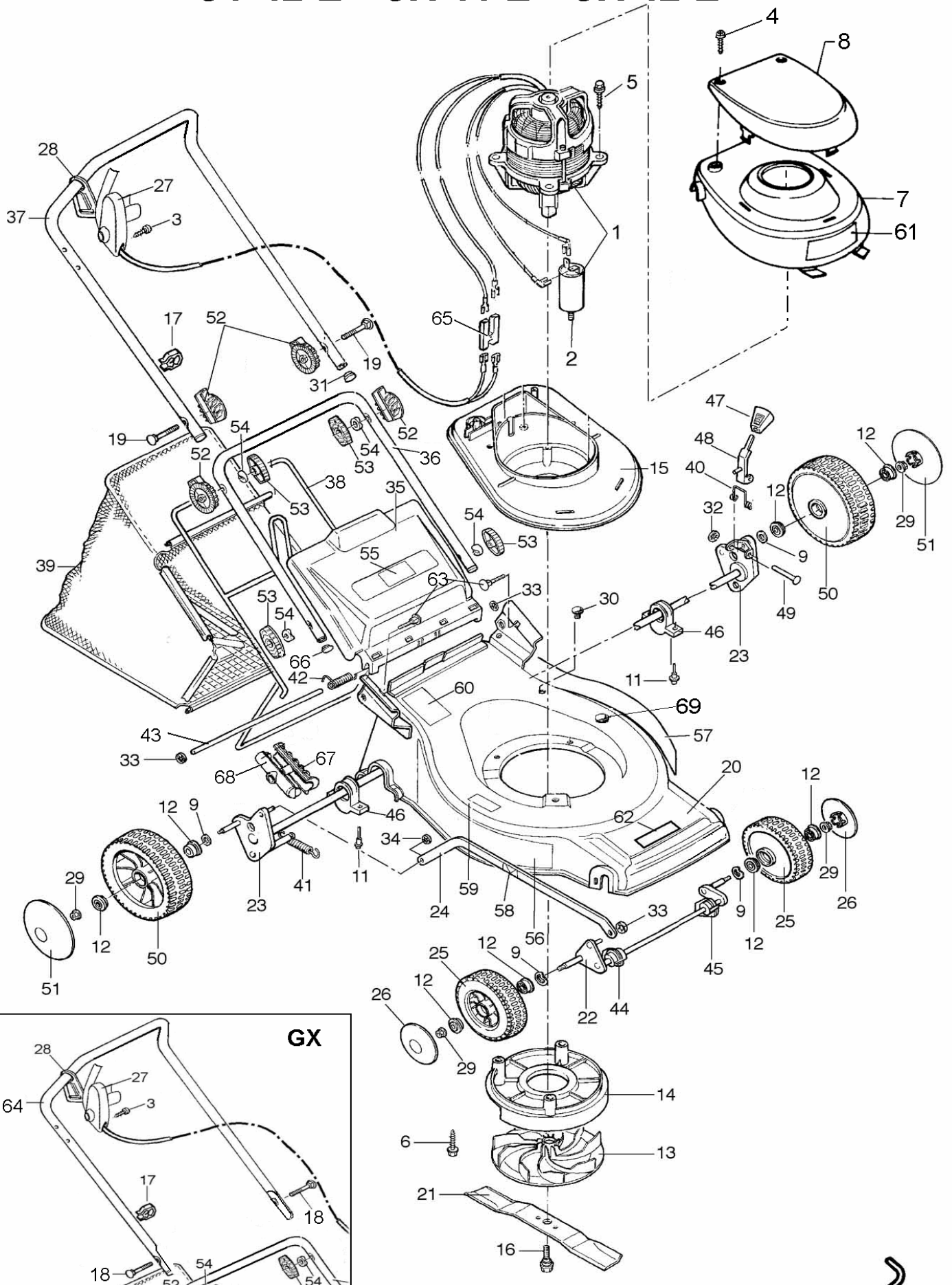
POS.	CODICE	I	F	D	GB	E	Q.tà
1	CP026323	VITE AUTOF.	VIS	SCHRAUBE	SCREW	TORNILLO	2
2	CP030850	VITE TE	VIS	SCHRAUBE	SCREW	TORNILLO	3
3	CP032228	POMOLO MANICO	ÉCROU	GRIFF	KNOB HANDLE	POMO MANILLAR	2
4	CP032230	RONDELLA	RONDELLE	SCHEIBE	WASHER	ARANDELA	2
5	CP032808	RONDELLA	RONDELLE	SCHEIBE	WASHER	ARANDELA	1
6	CP032812	RONDELLA	RONDELLE	SCHEIBE	WASHER	ARANDELA	4
7	CP032904	RONDELLA	RONDELLE	SCHEIBE	WASHER	ARANDELA	1
8	CP032908	RONDELLA	RONDELLE	SCHEIBE	WASHER	ARANDELA	2
9	CP032909	RONDELLA	RONDELLE	SCHEIBE	WASHER	ARANDELA	3
10	CP032917	RONDELLA TEMPRATA	RONDELLE	SCHEIBE	WASHER	ARANDELA	1
11	CP032919	RONDELLA SP 0,5	RONDELLE	SCHEIBE	WASHER	ARANDELA	2
12	CP034411	RIVETTO	RIVET	NIET	RIVET	CLAVO	4
13	CP034615	RIVETTO	RIVET	NIET	RIVET	CLAVO	2
14	CP037406	CHIAVETTA	CLAVETTE	SCHLÜSSELCHEN	WOODRUFF KEY	CHAVETA	1
15	CP039109.23	RUOTA 150	ROUE	RAD	WHEEL	RUEDA	2
16	CP039272	MOZZO LAMA 22	PORTE LAME	MESSERHALTER	BLADE ADAPTOR	PORTA CUCHILLA	1
17	CP040042	MANICO SUP.	GUIDON	STIEL	HANDLE	MANILLAR	1
18	CP040640	VITE TTQST	VIS	SCHRAUBE	SCREW	TORNILLO	2
19	CP041013	LAMA	LAME	MESSER	BLADE	CUCHILLA	1
20	CP041109.23	RUOTA 180	ROUE	RAD	WHEEL	RUEDA	2
21	CP042005.02	CHASSIS ROSSO RAL 300	CARTER	GEHÄUSE	DECK	CHASIS RAL 3000	1
22	CP042018	PARASASSI	DEFLECTEUR	DEFLEKTOR	REAR DOOR	DEFLECTOR	1
23	CP042032	MANICO INF.	GUIDON	STIEL	HANDLE	MANILLAR	1
24	CP042046	ASSALE ANT	AXE AVANT	VORDERACHSE	FRONT AXLE	EJE ANTERIOR	1
25	CP042051	ASSALE POS	AXE ARRIERE	HINTERACHSE	REAR AXLE	EJE POSTERIOR	1
26	CP042061	TIRANTE ASSALE	BARRE	GESTÄNGE	LINK ROD	TIRANTE EJE	1
27	CP042062	TIRANTE MANICO	BARRE	GESTÄNGE	LINK HANDLE	TIRANTE MANILLAR	1
28	CP042078	TELAIO CESTO	ATTELAGE	GRASFANGRAHMEN	FRAME	ARMAZON SACO	1
29	CP042083.05	TELA CESTO NERA	SAC RAMASSEUR	GRASFANGSACK	GRASS BAG	SACO TELA	1
30	CP042094	DEFLETTORE	DEFLECTEUR	DEFLEKTOR	DEFLECTOR	DEFLECTOR	1
31	CP042126	COPRIRUOTA	CACHE MOYEU	RADDECKUNG	HUB CAP	TAPA RUEDA	4
32	CP042193	MOLLA PARASASSI	RESSORT	FEDER	SPRING	MUELLE	1
33	CP042203	ASTINA	AXE PIVOT	STANGE	HINGE PIN	EJE DEFLECTOR	1
34	CP042216	BLOCCHETTO CAVO FREIN	ATTACHE CABLE FREIN	KABELBESCHWERER	CLIP	FIJADOR CABLE	1
35	CP042228	POMOLO MANICO	ÉCROU	GRIFF	KNOB HANDLE	POMO MANILLAR	1
36	CP042236	POMOLO ALZO	ÉCROU	GRIFF	KNOB	POMO	1
37	CP042237	TAPPO POMOLO ALZO	COUVERCLE	KAPPE	CAP	TAPA	1
38	CP042246	PIASTRINA	PLAQUE	PLÄTTCHEN	PLATE	PLANCHA	2
39	CP042256	VITE ALZARUOTA	VIS	SCHRAUBE	SCREW	TORNILLO	1
40	CP042258	CHIOCCIOLA ALZARUOTA	ECROU SPEC.	SCHNECKE	NUT SPECIAL	TUERCA SPEC.	1
41	CP042806	DADO	ÉCROU	MUTTER	KNOB	ESPARRAGO	1
42	CP042808	DADO	ÉCROU	MUTTER	KNOB	ESPARRAGO	4
43	CP042932	COPPIGLIA	GOUPILLE	SPLINT	COTTER PIN	COPIGLIA	2
44	CP044708	DADO	ÉCROU	MUTTER	KNOB	ESPARRAGO	3
45	CP044904	DADO	ÉCROU	MUTTER	KNOB	ESPARRAGO	1
46	CP045911	MOLLA A TAZZA	RONDELLE	SCHEIBE	WASHER	MUELLE	1
47	CP046616	CAPPELOTTO SFERICO	CLIP	RÜCKHALT	RETAINER	ANILLO CLIP	2
48	CP047071	LEVA FRENO	LEVIER FREIN	STANGE	LEVER	LEVA	1
49	CP047148	CAVO FRENO	CABLE FREIN	KABEL	CABLE	CABLE	1
50	CP047242	GANCIO FUNE AVV.	PORTE CABLE	KABELHALTER	CABLE SUPPORT	FIJADOR CABLE	1
51	CP050222	FERMACAVO	ATTACHE CABLE	KABELBESCHWERER	CLIP	FIJADOR CABLE	1
52	CP050230	RONDELLA	RONDELLE	SCHEIBE	WASHER	ARANDELA	1
53	CP050957	VITE LAMA	VIS	SCHRAUBE	SCREW	TORNILLO	1
54	CP053715	DECALCO	DECALQUE	ETIKETTE	DECAL	CARTEL	1
55	CP053802	DECALCO	DECALQUE	ETIKETTE	DECAL	CARTEL	1
56	CP053805	DECALCO	DECALQUE	ETIKETTE	DECAL	CARTEL	1
57	CP053806	DECALCO	DECALQUE	ETIKETTE	DECAL	CARTEL	1
58	CP053813	DECALCO	DECALQUE	ETIKETTE	DECAL	CARTEL	1
59	CP053842	DECALCO	DECALQUE	ETIKETTE	DECAL	CARTEL	1
60	CP053860	DECALCO GREENTTEAM	DECALQUE	ETIKETTE	DECAL	CARTEL	1
61	CP053934	DECALCO 424 B	DECALQUE	ETIKETTE	DECAL	CARTEL	1
62	CP060640	VITE TC	VIS	SCHRAUBE	SCREW	TORNILLO	1

GT 42 E (Old < 1996)



POS.	CODICE	I	F	D	GB	E	QTA'
1	CP017132F	MOTORE EL. 1300 W	MOTEUR	MOTOR	ENGINE	MOTOR	1
2	CP019816	CONDENSATORE 16 MF	CONDENSATEUR	KONDENSATOR	CONDENSER	CONDENSADOR	1
3	CP023925	VITE AUTOF.	VIS	SCHRAUBE	SCREW	TORNILLO	2
4	CP023916	VITE AUTOF.	VIS	SCHRAUBE	SCREW	TORNILLO	2
5	CP025216	VITE AUTOF.	VIS	SCHRAUBE	SCREW	TORNILLO	1
6	CP030816	VITE TE	VIS	SCHRAUBE	SCREW	TORNILLO	6
7	CP042215	FERMACAVO	ATTACHE CABLE	KABELBESCHWERER	CLIP	FIJADOR CABLE	1
8	CP042103	CUPOLINA BIANCA	CALOTTE	VERKLEIDUNG	COVER	CARCASA	1
9	CP032813	RONDELLA	RONDELLE	SCHIBE	WASHER	ARANDELA	4
10	CP042206	MOZZO LAMA	PORTE LAME	MESSERHALTER	BLADE ADAPTOR	PORTA CUCHILLA	1
11	CP034615	RIVETTO	RIVET	NIET	RIVET	CLAVO	4
12	CP038227	CUSCINETTO 12X27	ROULEMENT	KUGELLAGER	BALL BEARING	COJINETE	8
13	CP042158	VENTOLA	VENTILATEUR	LAUFRAD	FAN	VENTILADOR	1
14	CP042156	VENTOLA	VENTILATEUR	LAUFRAD	FAN	VENTILADOR	1
15	CP042175	BASE MOTORE	PORTE MOTEUR	MOTORGEHÄUSE	MOTOR BOX	BASE MOTOR	1
16	CP042209	VITE LAMA	VIS	SCHRAUBE	SCREW	TORNILLO	1
17	CP050222	FERMACAVO	ATTACHE CABLE	KABELBESCHWERER	CLIP	FIJADOR CABLE	1
18	CP040835	VITE TTQST	VIS	SCHRAUBE	SCREW	TORNILLO	2
19	CP040875	VITE TTQST	VIS	SCHRAUBE	SCREW	TORNILLO	2
20	CP042001	CHASSIS	CARTER	GEHÄUSE	DECK	CHASIS	1
21	CP042011	LAMA	LAME	MESSER	BLADE	CUCHILLA	1
22	CP042048	ASSALE ANT	AXE AVANT	VORDERACHSE	FRONT AXLE	EJE ANTERIOR	1
23	CP042053	ASSALE POS	AXE ARRIERE	HINTERACHSE	REAR AXLE	EJE POSTERIOR	1
24	CP042063	TIRANTE ASSALE	BARRE	GESTÄNGE	LINK ROD	TIRANTE EJE	1
25	CP042108	RUOTA 150	ROUE	RAD	WHEEL	RUEDA	2
26	CP042128	COPRIRUOTA 150	CACHE MOYEU	RADDECKUNG	HUB CAP	TAPA RUEDA	2
27	CP042185	INTERRUPTORE	INTERRUPTEUR	SCHALTER D-I-F-A-B-NL	SWITCH	INTERRUPTOR	1
28	CP042222	SUPPORTO CAVO	PORTE CABLE	KABELHALTER	CABLE SUPPORT	FIJADOR CABLE	1
29	CP042808	DADO	ÉCROU	MUTTER	KNOB	ESPARRAGO	5
30	CP045713	TAPPO	COUVERCLE	KAPPE	CAP	TAPA	1
31	CP045720	TAPPO	COUVERCLE	KAPPE	CAP	TAPA	2
32	CP046606	RITEGNO	CLIP	RÜCKHALT	RETAINER	ANILLO CLIP	1
33	CP046607	RITEGNO	CLIP	RÜCKHALT	RETAINER	ANILLO CLIP	3
34	CP046608	RITEGNO	CLIP	RÜCKHALT	RETAINER	ANILLO CLIP	1
35	CP047018	PARASASSI	DEFLECTEUR	DEFLEKTOR	REAR DOOR	DEFLETOR	1
36	CP047033	MANICO INF.	GUIDON	STIEL	HANDLE	MANILLAR	1
37	CP047038	MANICO SUP.	GUIDON	STIEL	HANDLE	MANILLAR	1
38	CP047078	TELAIO CESTO	ATTELAGE	GRASFANGRAHMEN	FRAME	ARMAZON SACO	1
39	CP047083	TELA CESTO BIANCA	SAC RAMASSEUR	GRASFANGSACK	GRASS BAG	SACO TELA	1
40	CP047191	MOLLA	RESSORT	FEDER	SPRING	MUELLE	1
41	CP047192	MOLLA	RESSORT	FEDER	SPRING	MUELLE	1
42	CP050192	MOLLA PARASASSI	RESSORT	FEDER	SPRING	MUELLE	1
43	CP047203	ASTINA	AXE PIVOT	STANGE	HINGE PIN	EJE DEFLECTOR	1
44	CP047212	SUPPORTO ASSALE	SUPPORT	ACHSELAGER	SUPPORT	SOPORTE	1
45	CP047213	SUPPORTO ASSALE	SUPPORT	ACHSELAGER	SUPPORT	SOPORTE	1
46	CP047214	SUPPORTO ASSALE	SUPPORT	ACHSELAGER	SUPPORT	SOPORTE	2
47	CP047236	CAPPUCCIO	CACHE MOYEU	KAPPE	HOOD	POMO	1
48	CP047255	LEVA ALZO	LEVIER	STANGE	LEVER	LEVA ALTURAS	1
49	CP047267	PERNO	GOUJON	ZAPFEN	PIN	PERNO	1
50	CP050108	RUOTA 180	ROUE	RAD	WHEEL	RUEDA	2
51	CP050128	COPRIRUOTA 180	CACHE MOYEU	RADDECKUNG	HUB CAP	TAPA RUEDA	2
52	CP050212	REGOLATORE MANICO	REGLAGE DE GUIDON	STIELREGULATOR	HANDLE REGULATOR	REGULADOR MANILLAR	4
53	CP050228	POMOLO MANICO	ÉCROU	GRIFF	KNOB HANDLE	POMO MANILLAR	4
54	CP050230	RONDELLA	RONDELLE	SCHIBE	WASHER	ARANDELA	2
55	CP053714	DECALCO	DECALQUE	ETIKETTE	DECAL	CARTEL	1
56	CP053724	DECALCO	DECALQUE	ETIKETTE	DECAL	CARTEL	1
57	CP053725	DECALCO	DECALQUE	ETIKETTE	DECAL	CARTEL	1
58	CP053802	DECALCO	DECALQUE	ETIKETTE	DECAL	CARTEL	1
59	CP053806	DECALCO	DECALQUE	ETIKETTE	DECAL	CARTEL	1
60	CP053813	DECALCO	DECALQUE	ETIKETTE	DECAL	CARTEL	1
61	CP053890	DECALCO	DECALQUE	ETIKETTE	DECAL	CARTEL	1
62	CP053860	DECALCO	DECALQUE	ETIKETTE	DECAL	CARTEL	1
63	CP053844	DECALCO	DECALQUE	ETIKETTE	DECAL	CARTEL	1
64	CP042214	TAPPO	COUVERCLE	KAPPE	CAP	TAPA	1
65	CP019910	MORSETTO	ATTACHE CABLE	KABELBESCHWERER	CLIP	FIJADOR CABLE	1
66	CP050233	RONDELLA	RONDELLE	SCHIBE	WASHER	ARANDELA	2
67	CP032913	RONDELLA	RONDELLE	SCHIBE	WASHER	ARANDELA	2
68	CP037304	CHIAVETTA	CLAVETTE	SCHLÜSSELCHEN	WOODRUFF KEY	CHAVETA	1

GT 42 E - GX 41 E - GX 42 E



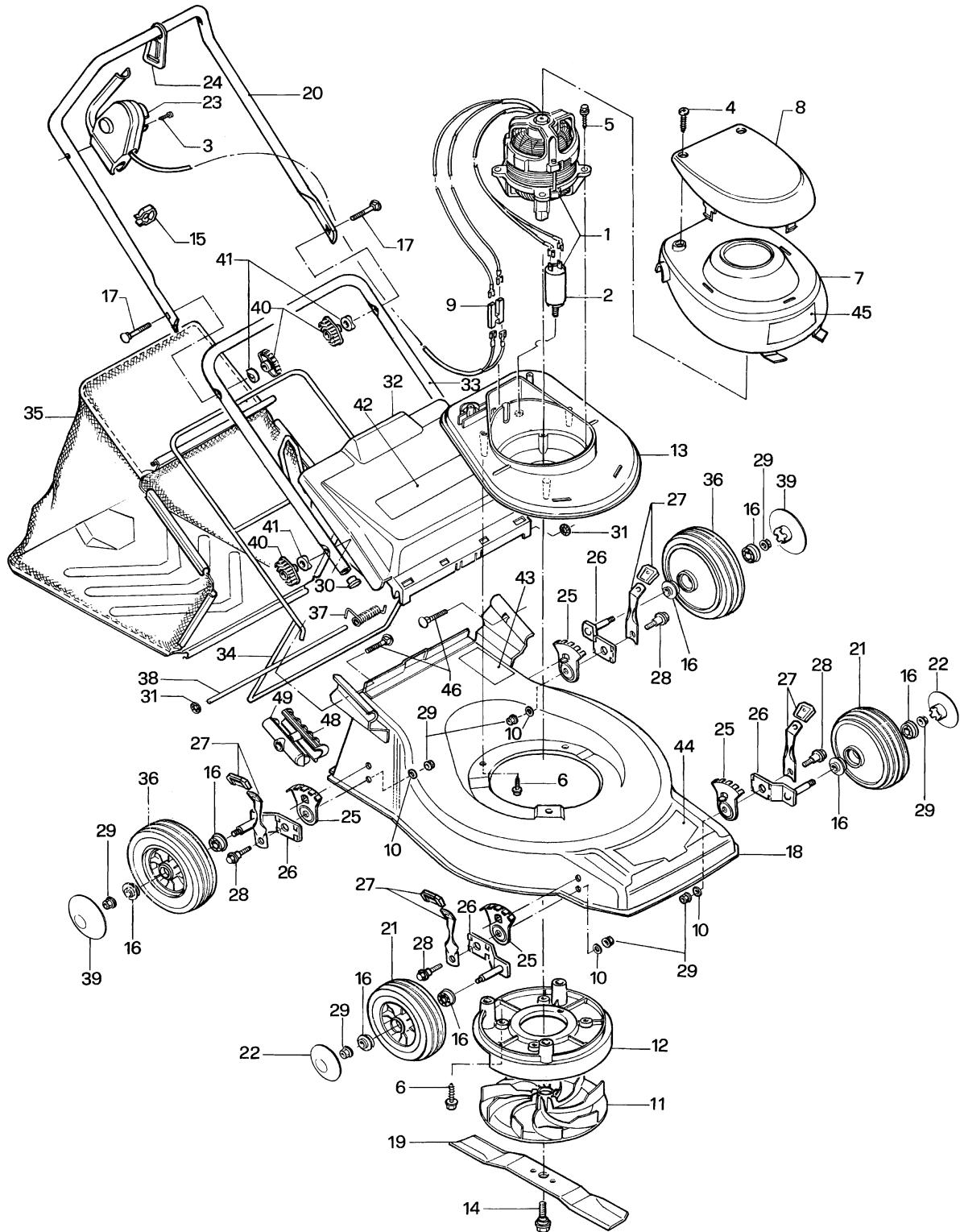
MA.RI.NA.

GT 42 E - GX 41 E - GX 42 E

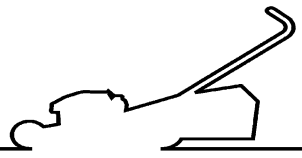
(New >= 1996)

POS.	CODICE	I	F	D	GB	E	GT 42	GX 41	GX 42
1	CP017130F	MOTORE EL. 1300 W	MOTEUR	MOTOR	ENGINE	MOTOR	1	1	1
2	CP019816	CONDENSATORE 16 M	CONDENSATEUR	KONDENSATOR	CONDENSER	CONDENSADOR	1	1	1
3	CP023925	VITE AUTOF.	VIS	SCHRAUBE	SCREW	TORNILLO	2	2	2
4	CP025030	VITE AUTOF.	VIS	SCHRAUBE	SCREW	TORNILLO	2	2	2
5	CP026030	VITE AUTOF.	VIS	SCHRAUBE	SCREW	TORNILLO	4	4	4
6	CP026322	VITE AUTOF.	VIS	SCHRAUBE	SCREW	TORNILLO	7	7	7
7	CP032102	CUPOLINA INF. BIANCO	CALOTTE	VERKLEIDUNG	COVER	CARCASA	1	1	1
8	CP032103	CUPOLINA SUP. VERDE	CALOTTE	VERKLEIDUNG	COVER	CARCASA	1		
8	CP032103.02	CUPOLINA SUP. ROSSO	CALOTTE	VERKLEIDUNG	COVER	CARCASA RAL 3000		1	1
9	CP032813	RONDELLA	RONDELLE	SCHEIBE	WASHER	ARANDELA	4	4	4
11	CP034615	RIVETTO	RIVET	NIET	RIVET	CLAVO	4	4	4
12	CP038227	CUSCINETTO 12X27	ROULEMENT	KUGELLAGER	BALL BEARING	COJINETE	8	8	8
13	CP040158	VENTOLA	VENTILATEUR	LAUFRAD	FAN	VENTILADOR	1	1	1
14	CP040174	CONVOGLIATORE	CALOTTE	LAUFRADGEHÄUSE	FAN BOX	CARCASA	1	1	1
15	CP040175	BASE MOTORE	PORTE MOTEUR	MOTORGEHÄUSE	MOTOR BOX	BASE MOTOR	1	1	1
16	CP040209	VITE LAMA	VIS	SCHRAUBE	SCREW	TORNILLO	1	1	1
17	CP050222	FERMACAVO	ATTACHE CABLE	KABELBESCHWERER	CLIP	FIJADOR CABLE	1	1	1
18	CP040850	VITE TTQST	VIS	SCHRAUBE	SCREW	TORNILLO		2	2
19	CP040875	VITE TTQST	VIS	SCHRAUBE	SCREW	TORNILLO	2		
20	CP041001.02	CHASSIS ROSSO	CARTER	GEHÄUSE	DECK	CHASIS		1	
20	CP042001	CHASSIS	CARTER	GEHÄUSE	DECK	CHASIS	1		
20	CP042001.02	CHASSIS ROSSO	CARTER	GEHÄUSE	DECK	CHASIS			1
21	CP042010	LAMA	LAME	MESSER	BLADE	CUCHILLA	1	1	1
22	CP042048	ASSALE ANT	AXE AVANT	VORDERACHSE	FRONT AXLE	EJE ANTERIOR	1	1	1
23	CP042053	ASSALE POS	AXE ARRIERE	HINTERACHSE	REAR AXLE	EJE POSTERIOR	1	1	1
24	CP042063	TIRANTE ASSALE	BARRE	GESTÄNGE	LINK ROD	TIRANTE EJE	1	1	1
25	CP042106	RUOTA 150	ROUE	RAD	WHEEL	RUEDA		2	2
25	CP042108	RUOTA 150	ROUE	RAD	WHEEL	RUEDA	2		
26	CP042127	COPRIRUOTA 150	CACHE MOYEU	RADDECKUNG	HUB CAP	TAPA RUEDA	2 (da/from04/2004)		
26	CP042128	COPRIRUOTA 150	CACHE MOYEU	RADDECKUNG	HUB CAP	TAPA RUEDA	2 (fino a / till 04/2004)		
27	CP042185	INTERRUPTORE D-I-A	INTERRUPTEUR	SCHALTER D-I-F-A-B-I	SWITCH	INTERRUPTOR	1	1	1
28	CP042222	SUPPORTO CAVO	PORTE CABLE	KABELHALTER	CABLE SUPPORT	FIJADOR CABLE	1	1	1
29	CP042808	DADO	ÉCROU	MUTTER	KNOB	ESPARRAGO	4	4	4
30	CP045713	TAPPO	COUVERCLE	KAPPE	CAP	TAPA	1	1	1
31	CP045720	TAPPO	COUVERCLE	KAPPE	CAP	TAPA	2	2	2
32	CP046606	RITEGNO	CLIP	RÜCKHALT	RETAINER	ANILLO CLIP	1	1	1
33	CP046607	RITEGNO	CLIP	RÜCKHALT	RETAINER	ANILLO CLIP	3	3	3
34	CP046608	RITEGNO	CLIP	RÜCKHALT	RETAINER	ANILLO CLIP	1	1	1
35	CP047018	PARASASSI	DEFLECTEUR	DEFLEKTOR	REAR DOOR	DEFLECTÖR	1	1	1
36	CP047032	MANICO INF.	GUIDON	STIEL	HANDLE	MANILLAR	1	1	1
37	CP047038	MANICO SUP.	GUIDON	STIEL	HANDLE	MANILLAR	1		
38	CP047078	TELAIO CESTO	ATTELAGE	GRASFANGRAHMEN	FRAME	ARMAZON SACO	1	1	1
39	CP047083	TELA CESTO BIANCA	SAC RAMASSEUR	GRASFANGSACK	GRASS BAG	SACO TELA	1		
39	CP047083.05	TELA CESTO NERA	SAC RAMASSEUR	GRASFANGSACK	GRASS BAG	SACO TELA		1	1
40	CP047191	MOLLA	RESSORT	FEDER	SPRING	MUELLE	1	1	1
41	CP047192	MOLLA	RESSORT	FEDER	SPRING	MUELLE	1	1	1
42	CP050192	MOLLA PARASASSI	RESSORT	FEDER	SPRING	MUELLE	1	1	1
43	CP047203	ASTINA	AXE PIVOT	STANGE	HINGE PIN	EJE DEFLECTÖR	1	1	1
44	CP047212	SUPPORTO ASSALE	SUPPORT	ACHSELAGER	SUPPORT	SOPORTE	1	1	1
45	CP047213	SUPPORTO ASSALE	SUPPORT	ACHSELAGER	SUPPORT	SOPORTE	1	1	1
46	CP047214	SUPPORTO ASSALE	SUPPORT	ACHSELAGER	SUPPORT	SOPORTE	2	2	2
47	CP047236	CAPPUCCIO	CACHE MOYEU	KAPPE	HOOD	POMO	1	1	1
48	CP047255	LEVA ALZO	LEVIER	STANGE	LEVER	LEVA ALTURAS	1	1	1
49	CP047267	PERNO	GOUJON	ZAPPEN	PIN	PERNO	1	1	1
50	CP050106	RUOTA 180	ROUE	RAD	WHEEL	RUEDA		2	2
50	CP050108	RUOTA 180	ROUE	RAD	WHEEL	RUEDA	2		
51	CP050127	COPRIRUOTA 180	CACHE MOYEU	RADDECKUNG	HUB CAP	TAPA RUEDA	2 (da/from04/2004)		
51	CP050128	COPRIRUOTA 180	CACHE MOYEU	RADDECKUNG	HUB CAP	TAPA RUEDA	2 (fino a / till 04/2004)		
52	CP050212	REGOLATORE MANICO	REGLAGE DE GUIDON	STIELREGULATOR	HANDLE REGULATOR	REGULADOR MANILLA	4		
53	CP050228	POMOLO MANICO	ÉCROU	GRIFF	KNOB HANDLE	POMO MANILLAR	4	4	4
54	CP050230	RONDELLA	RONDELLE	SCHEIBE	WASHER	ARANDELA	4	4	4
55	CP053714	DECALCO	DECALQUE	ETIKETTE	DECAL	CARTEL	1	1	1
56	CP053724	DECALCO	DECALQUE	ETIKETTE	DECAL	CARTEL	1	1	1
57	CP053725	DECALCO	DECALQUE	ETIKETTE	DECAL	CARTEL	1	1	1
58	CP053802	DECALCO	DECALQUE	ETIKETTE	DECAL	CARTEL	1	1	1
59	CP053806	DECALCO	DECALQUE	ETIKETTE	DECAL	CARTEL	1	1	1
60	CP053813	DECALCO	DECALQUE	ETIKETTE	DECAL	CARTEL	1	1	1
61	CP053890	DECALCO	DECALQUE	ETIKETTE	DECAL	CARTEL	1	1	1
62	CP053860	DECALCO GREENTEA	DECALQUE	ETIKETTE	DECAL	CARTEL	1		
62	CP053861	DECALCO GALAXY	DECALQUE	ETIKETTE	DECAL	CARTEL		1	1
63	CP040860	VITE TTQST	VIS	SCHRAUBE	SCREW	TORNILLO	2	2	2
64	CP042038	MANICO SUP.	GUIDON	STIEL	HANDLE	MANILLAR		1	1
65	CP019910	MORSETTO	ATTACHE CABLE	KABELBESCHWERER	CLIP	FIJADOR CABLE	1	1	1
66	CP045722	TAPPO	COUVERCLE	KAPPE	CAP	TAPA	2	2	2
67	CP042212M	ISOLATORE 1/2 MASCO	DEMI ISOLATEUR	HALF ISOLATOR	HALF INSULATOR	MITAD AISLADOR	2	2	2
68	CP042212F	ISOLATORE 1/2 FEMMINA	DEMI ISOLATEUR	HALF ISOLATOR	HALF INSULATOR	MITAD AISLADOR	2	2	2
69	CP045721	TAPPO	COUVERCLE	KAPPE	CAP	TAPA	1	1	1

SP 42 E

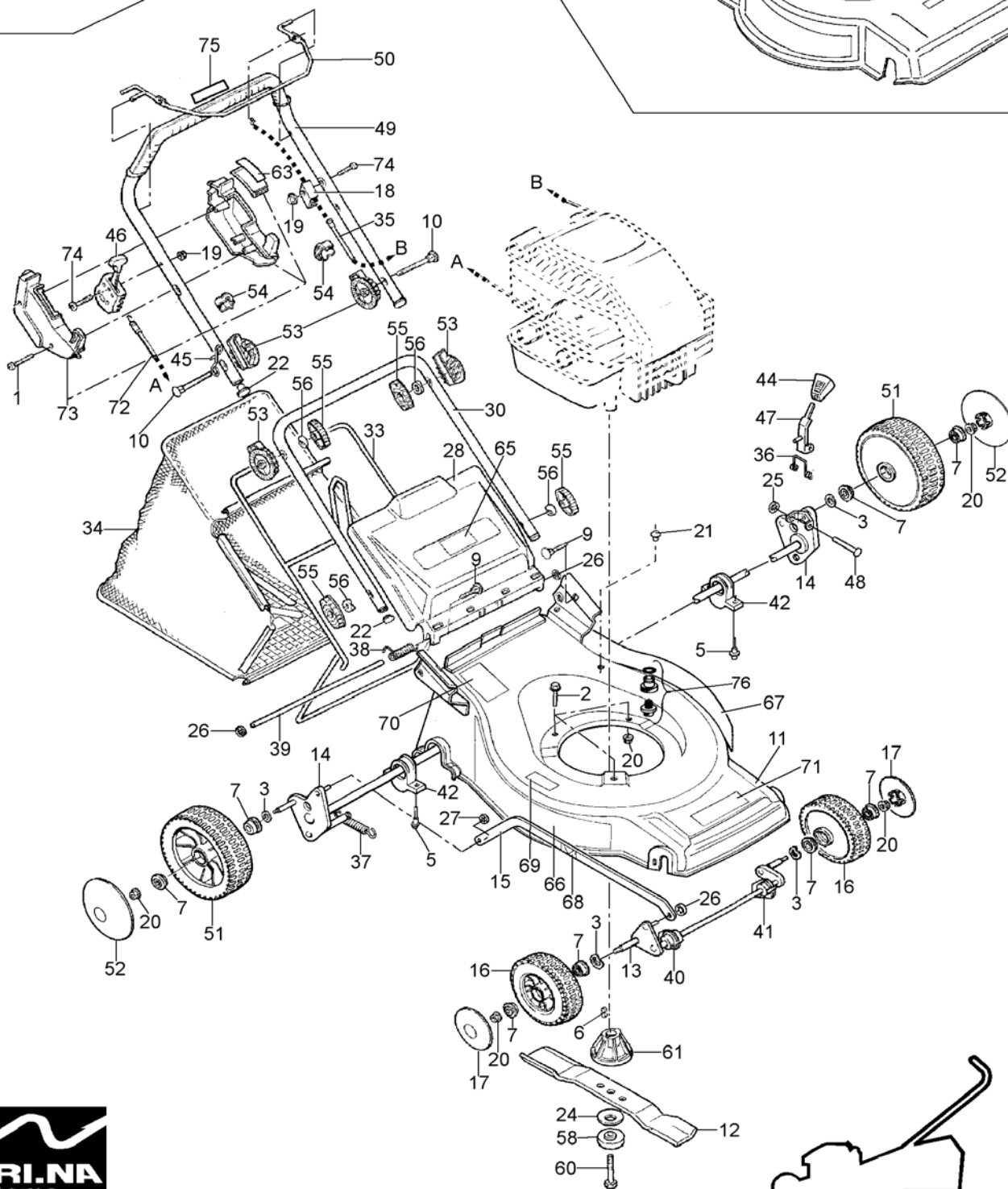
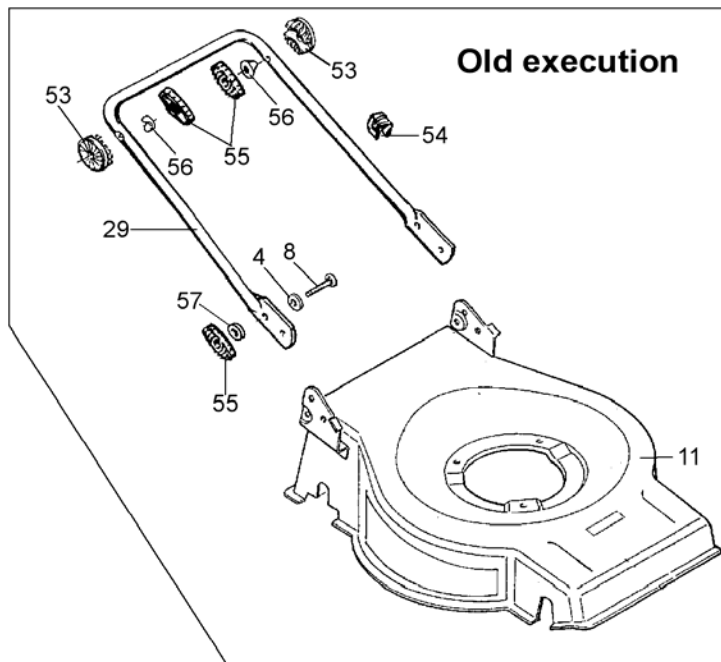
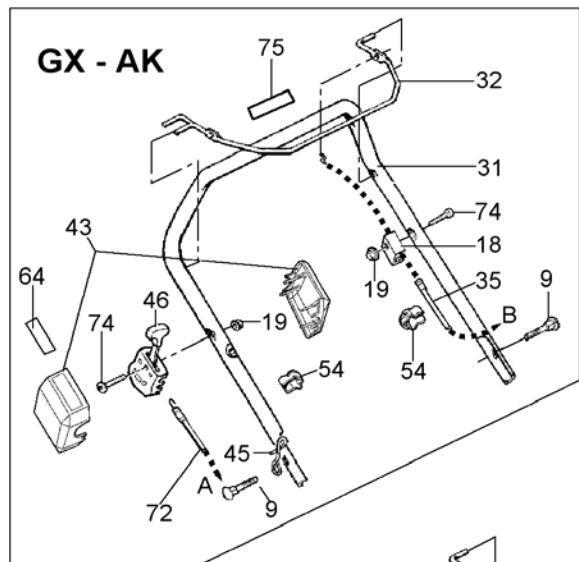


RICAMBI ORIGINALI



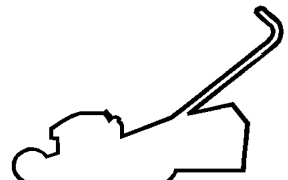
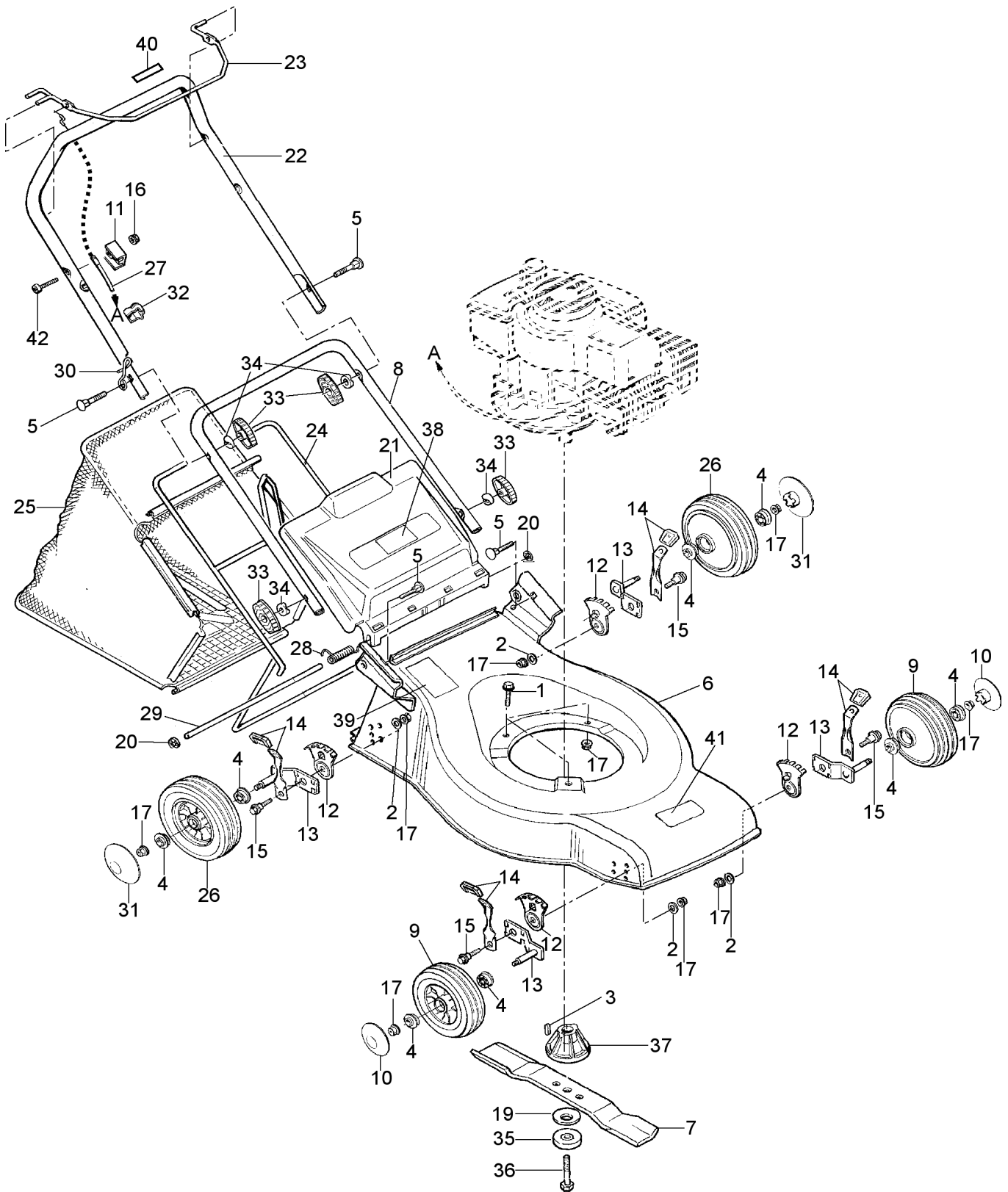
POS.	CODICE	I	F	D	GB	E	NEW	OLD
							>= 07/96	< 07/96
1	CP017130F	MOTORE EL. 1300 W	MOTEUR	MOTOR	ENGINE	MOTOR	1	1
2	CP019816	CONDENSATORE 16 M	CONDENSATEUR	KONDENSATOR	CONDENSER	CONDENSADOR	1	1
3	CP023925	VITE AUTOF.	VIS	SCHRAUBE	SCREW	TORNILLO	2	2
4	CP025030	VITE AUTOF.	VIS	SCHRAUBE	SCREW	TORNILLO	2	2
5	CP026030	VITE AUTOF.	VIS	SCHRAUBE	SCREW	TORNILLO	4	4
6	CP026322	VITE AUTOF.	VIS	SCHRAUBE	SCREW	TORNILLO	7	7
7	CP032102	CUPOLINA INF. BIANC	CALOTTE	VERKLEIDUNG	COVER	CARCASA	1	1
8	CP032103.12	CUPOLINA SUP. TURC	CALOTTE	VERKLEIDUNG	COVER	CARCASA	1	1
9	CP019910	MORSETTO	ATTACHE CABLE	KABELBESCHWERER	CLIP	FIJADOR CABLE	1	1
10	CP032909	RONDELLA	RONDELLE	SCHEIBE	WASHER	ARANDELA	4	4
11	CP040158	VENTOLA	VENTILATEUR	LAUFRAD	FAN	VENTILADOR	1	1
12	CP040174	CONVOGLIATORE	CALOTTE	LAUFRADGEHÄUSE	FAN BOX	CARCASA	1	1
13	CP040175	BASE MOTORE	PORTE MOTEUR	MOTORGEHÄUSE	MOTOR BOX	BASE MOTOR	1	1
14	CP040209	VITE LAMA	VIS	SCHRAUBE	SCREW	TORNILLO	1	1
15	CP050222	FERMACAVO	ATTACHE CABLE	KABELBESCHWERER	CLIP	FIJADOR CABLE	1	1
16	CP040226	BOCCOLA	BOUCLE	BÜCHSE	BUSH	COJINETE	8	8
17	CP040850	VITE TTQST	VIS	SCHRAUBE	SCREW	TORNILLO	2	4
18	CP042002.12	CHASSIS SP	CARTER	GEHÄUSE	DECK	CHASIS	1	1
19	CP042010	LAMA	LAME	MESSER	BLADE	CUCHILLA	1	1
20	CP042038	MANICO SUP.	GUIDON	STIEL	HANDLE	MANILLAR	1	1
21	CP042109	RUOTA 150	ROUE	RAD	WHEEL	RUEDA	2	2
22	CP042128	COPRIRUOTA 150	CACHE MOYEU	RADDECKUNG	HUB CAP	TAPA RUEDA	2	2
23	CP042185	INTERRUTTORE	INTERRUPTEUR	SCHALTER D-I-F-A-B-N	SWITCH	INTERRUPTOR	1	1
24	CP042222	SUPPORTO CAVO	PORTE CABLE	KABELHALTER	CABLE SUPPORT	FIJADOR CABLE	1	1
25	CP042245	SETTORE	SECTEUR	PLATTE	SECTOR	PLACA ALTURAS	4	4
26	CP042248	SUPPORTO	SUPPORT	ACHSELAGER	SUPPORT	SOPORTE	4	4
27	CP042250	LEVA ALZO	LEVIER	STANGE	LEVER	LEVA ALTURAS	4	4
28	CP042268	VITE	VIS	SCHRAUBE	SCREW	TORNILLO	4	4
29	CP042808	DADO	ÉCROU	MUTTER	KNOB	ESPARRAGO	8	8
30	CP045722	TAPPO	COUVERCLE	KAPPE	CAP	TAPA		2
31	CP046607	RITEGNO	CLIP	RÜCKHALT	RETAINER	ANILLO CLIP	2	2
32	CP047018	PARASASSI	DEFLECTEUR	DEFLEKTOR	REAR DOOR	DEFLETOR	1	1
33	CP047032	MANICO INF.	GUIDON	STIEL	HANDLE	MANILLAR	1	
33	CP047034	MANICO INF.	GUIDON	STIEL	HANDLE	MANILLAR		1
34	CP047078	TELAIO CESTO	ATTELAGE	GRASFANGRAHMEN	FRAME	ARMAZON SACO	1	1
35	CP047083.05	TELA CESTO NERA	SAC RAMASSEUR	GRASFANGSACK	GRASS BAG	SACO TELA	1	1
36	CP047109	RUOTA 180	ROUE	RAD	WHEEL	RUEDA	2	2
37	CP050192	MOLLA PARASASSI	RESSORT	FEDER	SPRING	MUELLE	1	1
38	CP047203	ASTINA	AXE PIVOT	STANGE	HINGE PIN	EJE DEFLECTOR	1	1
39	CP050128	COPRIRUOTA 180	CACHE MOYEU	RADDECKUNG	HUB CAP	TAPA RUEDA	2	2
40	CP050228	POMOLO MANICO	ÉCROU	GRIFF	KNOB HANDLE	POMO MANILLAR	4	4
41	CP050230	RONDELLA	RONDELLE	SCHEIBE	WASHER	ARANDELA	2	4
42	CP053714	DECALCO	DECALQUE	ETIKETTE	DECAL	CARTEL	1	1
43	CP053813	DECALCO	DECALQUE	ETIKETTE	DECAL	CARTEL	1	1
44	CP053862	DECALCO	DECALQUE	ETIKETTE	DECAL	CARTEL	1	1
45	CP053890	DECALCO	DECALQUE	ETIKETTE	DECAL	CARTEL	1	1
46	CP040860	VITE TTQST	VIS	SCHRAUBE	SCREW	TORNILLO	2	
48	CP042212M	ISOLATORE 1/2 MASC	DEMI ISOLATEUR	HALF ISOLATOR	HALF INSULATOR	MITAD AISLADOR	2	
49	CP042212F	ISOLATORE 1/2 FEMM	DEMI ISOLATEUR	HALF ISOLATOR	HALF INSULATOR	MITAD AISLADOR	2	

GT 42 - GX 41 - GX 42 - AK 42

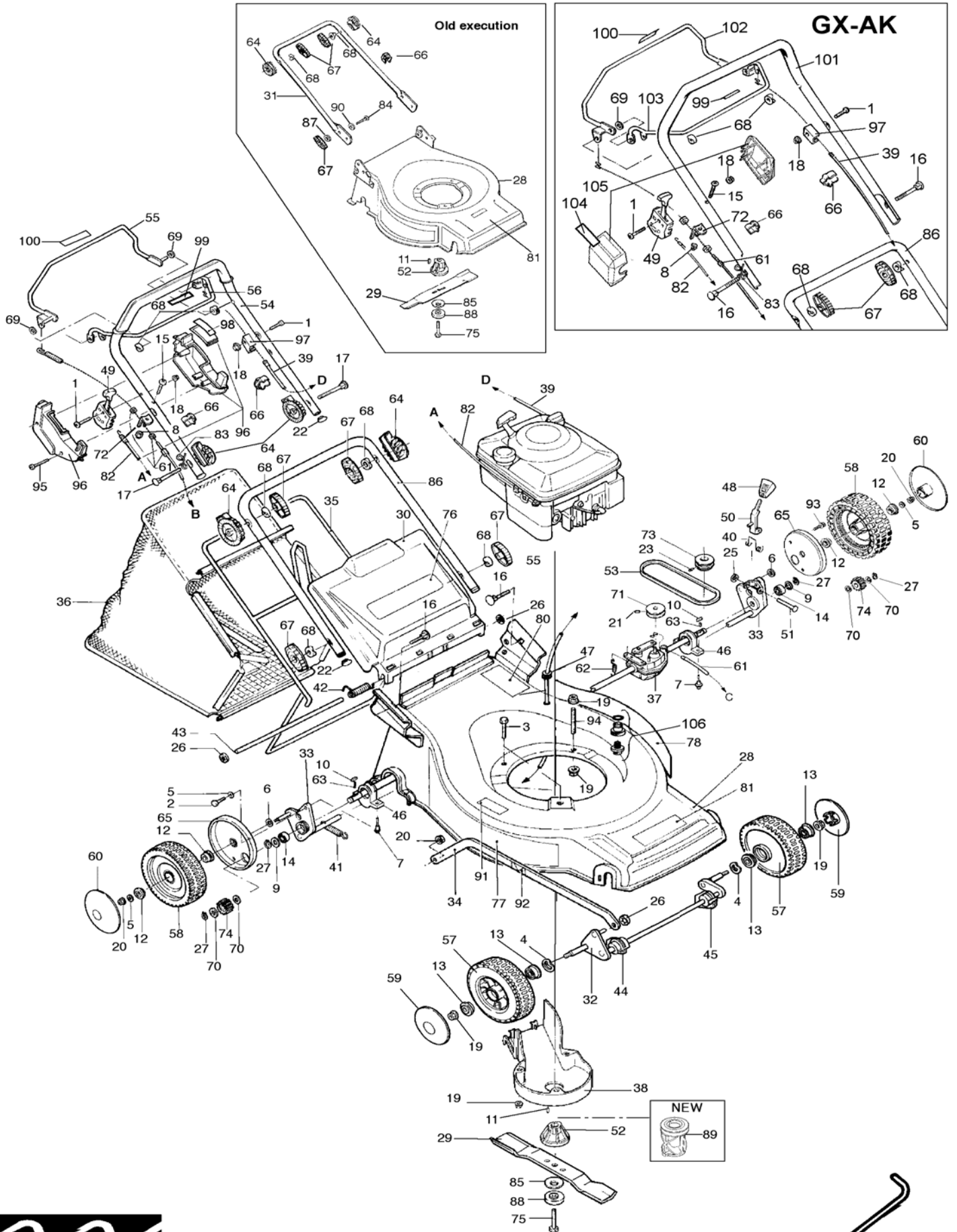


POS.	CODICE	I	F	D	GB	E	GT 42	GX 41	GX 42	AK 42
1	CP025040	VITE AUTOF.	VIS	SCHRAUBE	SCREW	TORNILLO	2			
2	CP030830	VITE TE	VIS	SCHRAUBE	SCREW	TORNILLO	3	3	3	3
3	CP032813	RONDELLA	RONDELLE	SCHEIBE	WASHER	ARANDELA	4	4	4	4
3	CP032913	RONDELLA	RONDELLE	SCHEIBE	WASHER	ARANDELA	4 X RUOTE CP042118.98 - CP047118.98			
4	CP032913	RONDELLA	RONDELLE	SCHEIBE	WASHER	ARANDELA	2	2	2	2
5	CP034615	RIVETTO	RIVET	NIET	RIVET	CLAVO	4	4	4	4
6	CP037406	CHIAVETTA	CLAVETTE	SCHLÜSSELCHEN	WOODRUFF KEY	CHAVETA	1	1	1	1
7	CP038227	CUSCINETTO 12X27	ROULEMENT	KUGELLAGER	BALL BEARING	COJINETE	8	8	8	8
7	CP038228	CUSCINETTO	ROULEMENT	KUGELLAGER	BALL BEARING	COJINETE	8 X RUOTE CP042118.98 - CP047118.98			
8	CP040835	VITE TTQST	VIS	SCHRAUBE	SCREW	TORNILLO	2	2	2	2
9	CP040850	VITE TTQST	VIS	SCHRAUBE	SCREW	TORNILLO	2	4	4	4
10	CP040875	VITE TTQST	VIS	SCHRAUBE	SCREW	TORNILLO	2			
11	CP041001.02	CHASSIS ROSSO	CARTER	GEHÄUSE	DECK	CHASIS		1		
11	CP042001	CHASSIS	CARTER	GEHÄUSE	DECK	CHASIS	1			
11	CP042001.02	CHASSIS ROSSO	CARTER	GEHÄUSE	DECK	CHASIS			1	
11	CP042001.03	CHASSIS ARGENTO	CARTER	GEHÄUSE	DECK	CHASIS				1
12	CP042013	LAMA	LAME	MESSER	BLADE	CUCHILLA	1	1	1	1
13	CP042048	ASSALE ANT	AXE AVANT	VORDERACHSE	FRONT AXLE	EJE ANTERIOR	1	1	1	1
14	CP042053	ASSALE POS	AXE ARRIERE	HINTERACHSE	REAR AXLE	EJE POSTERIOR	1	1	1	1
15	CP042063	TIRANTE ASSALE	BARRE	GESTÄNGE	LINK ROD	TIRANTE EJE	1	1	1	1
16	CP042106	RUOTA 150	ROUE	RAD	WHEEL	RUEDA		2	2	2
16	CP042108	RUOTA 150	ROUE	RAD	WHEEL	RUEDA	2			
16	CP042118.98	RUOTA 150 PH ZINCATO	ROUE ACIER	VERZINKTES RAD	ZINC WHEEL	RUEDA ZINC	2			
17	CP042127	COPRIRUOTA 150	CACHE MOYEU	RADDECKUNG	HUB CAP	TAPA RUEDA	2 (from 04/2004 to 12/2005)			
17	CP042128	COPRIRUOTA 150	CACHE MOYEU	RADDECKUNG	HUB CAP	TAPA RUEDA	2 (fino a / till 04/2004)			
17	CP047133	COPRIRUOTA	CACHE MOYEU	RADDECKUNG	HUB CAP	TAPA RUEDA	2 (da / from 01/2006)			
18	CP042216	BLOCCETTO CAVO FREIN	ATTACHE CABLE FREIN	KABELBESCHWERER	CLIP	FIJADOR CABLE	1	1	1	1
19	CP042806	DADO	ÉCROU	MUTTER	KNOB	ESPARRAGO	2	2	2	2
20	CP042808	DADO	ÉCROU	MUTTER	KNOB	ESPARRAGO	7	7	7	7
21	CP045713	TAPPO	COUVERCLE	KAPPE	CAP	TAPA	1	1	1	1
22	CP045722	TAPPO	COUVERCLE	KAPPE	CAP	TAPA	4	2	2	2
24	CP045911	MOLLA A TAZZA	RONDELLE	SCHEIBE	WASHER	MUELLE	1	1	1	1
25	CP046606	RITEGNO	CLIP	RÜCKHALT	RETAINER	ANILLO CLIP	1	1	1	1
26	CP046607	RITEGNO	CLIP	RÜCKHALT	RETAINER	ANILLO CLIP	3	3	3	3
27	CP046608	RITEGNO	CLIP	RÜCKHALT	RETAINER	ANILLO CLIP	1	1	1	1
28	CP047018	PARASASSI	DEFLECTEUR	DEFLEKTOR	REAR DOOR	DEFLECTÖR	1	1	1	1
29	CP047033	MANICO INF.	GUIDON	STIEL	HANDLE	MANILLAR	1	1	1	1
30	CP047034	MANICO INF.	GUIDON	STIEL	HANDLE	MANILLAR	1	1	1	1
31	CP047042	MANICO SUP.	GUIDON	STIEL	HANDLE	MANILLAR	1	1	1	1
32	CP047071	LEVA FRENO	LEVIER FREIN	STANGE	LEVER	LEVA		1	1	1
33	CP047078	TELAIO CESTO	ATTELAGE	GRASFANGRAHMEN	FRAME	ARMAZON SACO	1	1	1	1
34	CP047083	TELA CESTO BIANCA	SAC RAMASSEUR	GRASFANGSACK	GRASS BAG	SACO TELA	1			1
34	CP047083.05	TELA CESTO NERA	SAC RAMASSEUR	GRASFANGSACK	GRASS BAG	SACO TELA		1	1	1
35	?-TAB-FR	CAVO FRENO	CABLE FREIN	KABEL	CABLE	CABLE	1	1	1	1
36	CP047191	MOLLA	RESSORT	FEDER	SPRING	MUELLE	1	1	1	1
37	CP047192	MOLLA	RESSORT	FEDER	SPRING	MUELLE	1	1	1	1
38	CP050192	MOLLA PARASASSI	RESSORT	FEDER	SPRING	MUELLE	1	1	1	1
39	CP047203	ASTINA	AXE PIVOT	STANGE	HINGE PIN	EJE DEFLECTÖR	1	1	1	1
40	CP047212	SUPPORTO ASSALE	SUPPORT	ACHSELAGER	SUPPORT	SOPORTE	1	1	1	1
41	CP047213	SUPPORTO ASSALE	SUPPORT	ACHSELAGER	SUPPORT	SOPORTE	1	1	1	1
42	CP047214	SUPPORTO ASSALE	SUPPORT	ACHSELAGER	SUPPORT	SOPORTE	2	2	2	2
43	CP047220	COPRIACCELERATORE	COUVERCLE	DECKEL	COVER	COPA PROTECTORA		1	1	1
44	CP047236	CAPPUCCIO	CACHE MOYEU	KAPPE	HOOD	POMO	1	1	1	1
45	CP047242	GANCIO FUNE AVV.	PORTE CABLE	KABELHALTER	CABLE SUPPORT	FIJADOR CABLE	1	1	1	1
46	CP047250	COMANDO ACCELERATORE	LEVIER	STANGE	THRITTLE LEVER	LEVA	1	1	1	1
47	CP047255	LEVA ALZO	LEVIER	STANGE	LEVER	LEVA ALTURAS	1	1	1	1
48	CP047267	PERNO	GOUJON	ZAPFEN	PIN	PERNO	1	1	1	1
49	CP050043	MANICO SUP.	GUIDON	STIEL	HANDLE	MANILLAR	1			
50	CP050071	LEVA FRENO	LEVIER FREIN	STANGE	LEVER	LEVA	1			
51	CP050106	RUOTA 180	ROUE	RAD	WHEEL	RUEDA		2	2	2
51	CP050108	RUOTA 180	ROUE	RAD	WHEEL	RUEDA	2			
51	CP047118.98	RUOTA 180 PH ZINCATO	ROUE ACIER	VERZINKTES RAD	ZINC WHEEL	RUEDA ZINC	2			
52	CP050127	COPRIRUOTA 180	CACHE MOYEU	RADDECKUNG	HUB CAP	TAPA RUEDA	2 (from 04/2004 to 12/2005)			
52	CP050128	COPRIRUOTA 180	CACHE MOYEU	RADDECKUNG	HUB CAP	TAPA RUEDA	2 (fino a / till 04/2004)			
52	CP047133	COPRIRUOTA	CACHE MOYEU	RADDECKUNG	HUB CAP	TAPA RUEDA	2 (da / from 01/2006)			
53	CP050212	REGOLATORE MANICO	REGLAGE DE GUIDON	STIELREGULATOR	HANDLE REGULATOR	REGULADOR MANILLAR	4			
54	CP050222	FERMACAVO	ATTACHE CABLE	KABELBESCHWERER	CLIP	FIJADOR CABLE	2	2	2	2
55	CP050228	POMOLO MANICO	ÉCROU	GRIFF	KNOB HANDLE	POMO MANILLAR	4	4	4	4
56	CP050230	RONDELLA	RONDELLE	SCHEIBE	WASHER	ARANDELA	4	4	4	4
57	CP050233	RONDELLA	RONDELLE	SCHEIBE	WASHER	ARANDELA	2	2	2	2
58	CP053250	RONDELLA	RONDELLE	SCHEIBE	WASHER	ARANDELA	1	1	1	1
60	CP050964	VITE LAMA	VIS	SCHRAUBE	SCREW	TORNILLO	1	1	1	1
61	CP053273	MOZZO LAMA 22	PORTE LAME	MESSERHALTER	BLADE ADAPTOR	PORTA CUCHILLA	1	1	1	1
63	CP053710	DECALCO	DECALQUE	ETIKETTE	DECAL	CARTEL	1			
64	CP053713	DECALCO	DECALQUE	ETIKETTE	DECAL	CARTEL		1	1	1
65	CP053715	DECALCO	DECALQUE	ETIKETTE	DECAL	CARTEL	1	1	1	1
66	CP053724	DECALCO	DECALQUE	ETIKETTE	DECAL	CARTEL	1			
67	CP053725	DECALCO	DECALQUE	ETIKETTE	DECAL	CARTEL	1			
68	CP053802	DECALCO	DECALQUE	ETIKETTE	DECAL	CARTEL	1	1	1	1
69	CP053806	DECALCO	DECALQUE	ETIKETTE	DECAL	CARTEL	1	1	1	1
70	CP053813	DECALCO	DECALQUE	ETIKETTE	DECAL	CARTEL	1	1	1	1
71	CP053861	DECALCO GALAXY	DECALQUE	ETIKETTE	DECAL	CARTEL		1	1	
71	CP053910	DECALCO GREENTEAM	DECALQUE	ETIKETTE	DECAL	CARTEL	1			
71	CP053849	DECALCO AKITA	DECALQUE	ETIKETTE	DECAL	CARTEL				1
72	?-TAB-AC	CAVO ACCELERATORE	CABLE GAZ	KABEL	CABLE	CABLE	1	1	1	1
73	CP056226	COPRIACCELERATORE	COUVERCLE	DECKEL	COVER	COPA PROTECTORA	1			
74	CP060640	VITE TC	VIS	SCHRAUBE	SCREW	TORNILLO	2	2	2	2
75	CP053842	DECALCO	DECALQUE	ETIKETTE	DECAL	CARTEL	1	1	1	1
76	CP052225	INNESTO RAPIDO	RACCORD DE L'EAU	SPUELDUESE	WATER CONNECTOR	ENLACE	1	1	1	1

SP 42

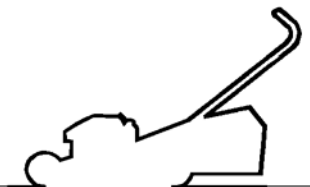
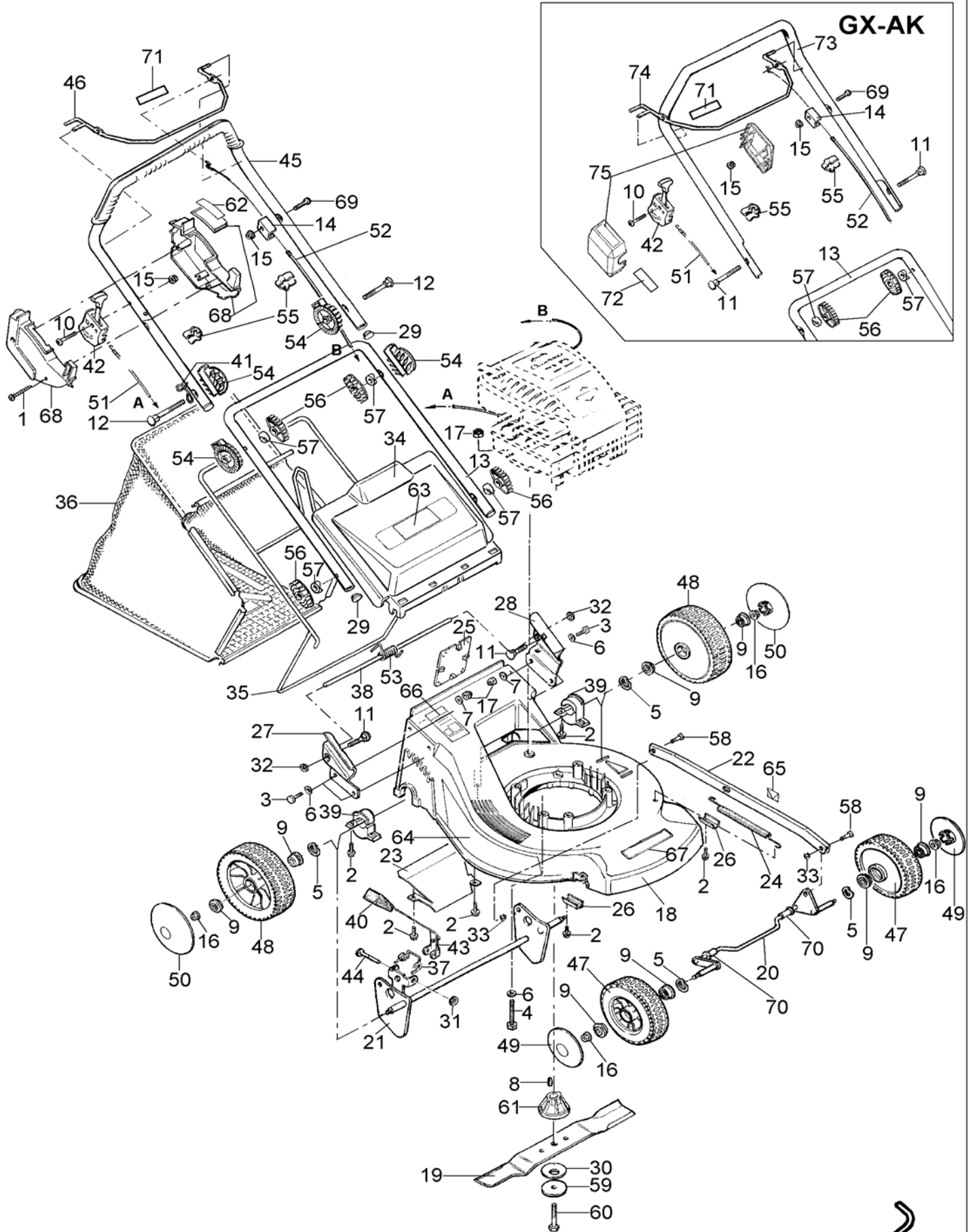


GT 42 S - GX 41 S - GX 42 S - AK 42 S



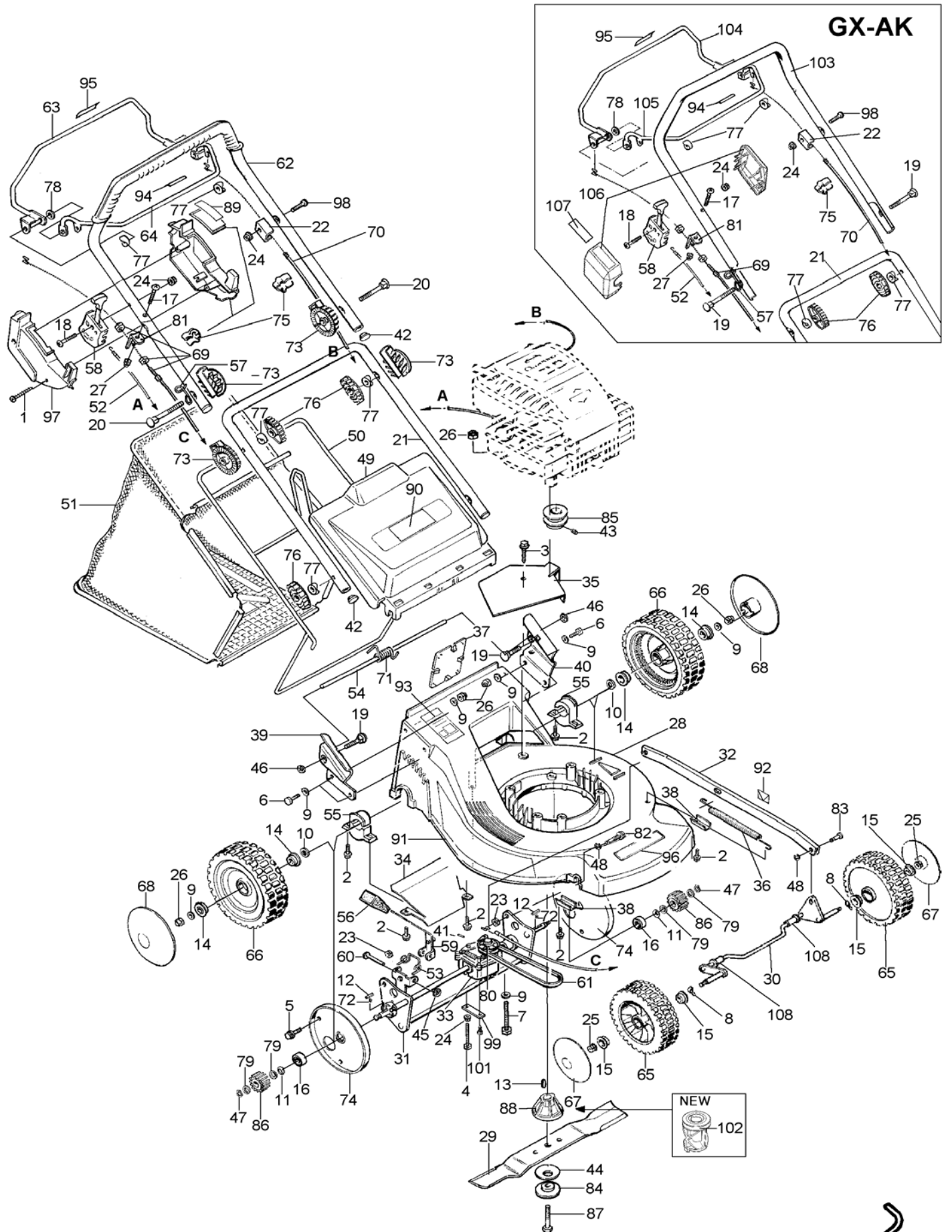
POS.	CODICE	I	F	D	GB	E	GT 47	GX 46	GX 47	AK 47
1	CP060640	VITE TC	VIS	SCHRAUBE	SCREW	TORNILLO	2	2	2	2
2	CP030825	VITE TE	VIS	SCHRAUBE	SCREW	TORNILLO	1	1	1	1
3	CP030845	VITE TE	VIS	SCHRAUBE	SCREW	TORNILLO	3	3	3	3
4	CP032813	RONDELLA	RONDELLE	SCHEIBE	WASHER	ARANDELA	2	2	2	2
4	CP032913	RONDELLA	RONDELLE	SCHEIBE	WASHER	ARANDELA	4 X RUOTE CP042118.98 - CP047118.98			
5	CP032908	RONDELLA	RONDELLE	SCHEIBE	WASHER	ARANDELA	5	5	5	5
6	CP032913	RONDELLA	RONDELLE	SCHEIBE	WASHER	ARANDELA	2	2	2	2
7	CP034615	RIVETTO	RIVET	NIET	RIVET	CLAVO	4	4	4	4
8	CP044906	DADO	ÉCROU	MUTTER	KNOB	ESPARRAGO	1	1	1	1
9	CP035905	RASAMENTO	RONDELLE	SCHEIBE	WASHER	ARANDELA	2	2	2	2
10	CP037305	CHIAVETTA	CLAVETTE	SCHLÜSSELCHEN	WOODRUFF KEY	CHAVETA	2	2	2	2
11	CP037406	CHIAVETTA	CLAVETTE	SCHLÜSSELCHEN	WOODRUFF KEY	CHAVETA	1 (fino a / till 03/1999)			
12	CP038226	CUSCINETTO 12X26	ROULEMENT	KUGELLAGER	BALL BEARING	COJINETE	4	4	4	4
12	CP038228	CUSCINETTO	ROULEMENT	KUGELLAGER	BALL BEARING	COJINETE	4 X RUOTE CP042118.98 - CP047118.98			
13	CP038227	CUSCINETTO 12X27	ROULEMENT	KUGELLAGER	BALL BEARING	COJINETE	4	4	4	4
13	CP038228	CUSCINETTO	ROULEMENT	KUGELLAGER	BALL BEARING	COJINETE	4 X RUOTE CP042118.98 - CP047118.98			
13	CP040226	BOCCOLA	BOUCLE	BÜCHSE	BUSH	COJINETE				
14	CP038228	CUSCINETTO	ROULEMENT	KUGELLAGER	BALL BEARING	COJINETE	2	2	2	2
15	CP040630	VITE TTQST	VIS	SCHRAUBE	SCREW	TORNILLO	1	1	1	1
16	CP040850	VITE TTQST	VIS	SCHRAUBE	SCREW	TORNILLO	2	4	4	4
17	CP040875	VITE TTQST	VIS	SCHRAUBE	SCREW	TORNILLO	2			
18	CP042806	DADO	ÉCROU	MUTTER	KNOB	ESPARRAGO	3	3	3	3
19	CP042808	DADO	ÉCROU	MUTTER	KNOB	ESPARRAGO	8	8	8	8
20	CP044708	DADO	ÉCROU	MUTTER	KNOB	ESPARRAGO	3	3	3	3
21	CP045530	SPINA	GOUPILLE	DORN	PIN	PASADOR	1	1	1	1
22	CP045722	TAPPO	COUVERCLE	KAPPE	CAP	TAPA	4	2	2	2
23	CP045810	GRANO	VIS	SCHRAUBE	SCREW	TORNILLO	1	1	1	1
25	CP046606	RITEGNO	CLIP	RÜCKHALT	RETAINER	ANILLO CLIP	1	1	1	1
26	CP046607	RITEGNO	CLIP	RÜCKHALT	RETAINER	ANILLO CLIP	3	3	3	3
27	CP046812	SEEGER	SEEGER	RUCKHALT	RETAINER	ANILLO CLIP	4	4	4	4
28	CP041001.02	CHASSIS ROSSO	CARTER	GEHÄUSE	DECK	CHASIS		1		
28	CP042001	CHASSIS	CARTER	GEHÄUSE	DECK	CHASIS	1			
28	CP042001.02	CHASSIS ROSSO	CARTER	GEHÄUSE	DECK	CHASIS			1	
28	CP042001.03	CHASSIS ARGENTO	CARTER	GEHÄUSE	DECK	CHASIS				1
29	CP042013	LAMA	LAME	MESSER	BLADE	CUCHILLA	1	1	1	1
30	CP047018	PARASASSI	DEFLECTEUR	DEFLEKTOR	REAR DOOR	DEFLECTOR	1	1	1	1
31	CP047033	MANICO INF.	GUIDON	STIEL	HANDLE	MANILLAR	1	1	1	1
32	CP042048	ASSALE ANT	AXE AVANT	VORDERACHSE	FRONT AXLE	EJE ANTERIOR	1	1	1	1
33	CP047058	ASSALE POS	AXE ARRIERE	HINTERACHSE	REAR AXLE	EJE POSTERIOR	1	1	1	1
34	CP042064	TIRANTE ASSALE T	BARRE	GESTÄNGE	LINK ROD	TIRANTE EJE	1	1	1	1
35	CP047078	TELAIO CESTO	ATTELAGE	GRASFANGRAHMEN	FRAME	ARMAZON SACO	1	1	1	1
36	CP047083	TELA CESTO BIANCO	SAC RAMASSEUR	GRASFANGSACK	GRASS BAG	SACO TELA	1			1
36	CP047083.05	TELA CESTO NERA	SAC RAMASSEUR	GRASFANGSACK	GRASS BAG	SACO TELA		1	1	
37	CP047088	RIDUTTORE TR 47	REDUCTEUR	UNTERSETZUNGSGE	GEAR BOX ASSY	TRANSMISION	1	1	1	1
38	CP042096	COPRICINGHIA 42	COUVERCLE COUR	RIEMENSCHUTZ	BELT COVER	TAPA	1	1	1	1
39	?-TAB-FR	CAVO FRENO	CABLE FREIN	KABEL	CABLE	CABLE	1	1	1	1
40	CP047191	MOLLA	RESSORT	FEDER	SPRING	MUELLE	1	1	1	1
41	CP047192	MOLLA	RESSORT	FEDER	SPRING	MUELLE	1	1	1	1
42	CP050192	MOLLA PARASASSI	RESSORT	FEDER	SPRING	MUELLE	1	1	1	1
43	CP047203	ASTINA	AXE PIVOT	STANGE	HINGE PIN	EJE DEFLECTOR	1	1	1	1
44	CP047212	SUPPORTO ASSALE	SUPPORT	ACHSELAGER	SUPPORT	SOPORTE	1	1	1	1
45	CP047213	SUPPORTO ASSALE	SUPPORT	ACHSELAGER	SUPPORT	SOPORTE	1	1	1	1
46	CP047215	SUPPORTO ASSALE	SUPPORT	ACHSELAGER	SUPPORT	SOPORTE	2	2	2	2
47	CP047217	PASSACAVO	JOINTE	RING	RING	ANILLO	1	1	1	1
48	CP047236	CAPPUCCIO	CACHE MOYEU	KAPPE	HOOD	POMO	1	1	1	1
49	CP047250	COMANDO ACCELE	LEVIER	STANGE	THROTTLE LEVER	LEVA	1	1	1	1
50	CP047255	LEVA ALZO	LEVIER	STANGE	LEVER	LEVA ALTURAS	1	1	1	1
51	CP047267	PERNO	GOUJON	ZAPFEN	PIN	PERNO	1	1	1	1
52	CP053273	MOZZO LAMA 22	PORTE LAME	MESSERHALTER	BLADE ADAPTOR	PORTA CUCHILLA	1 (fino a / till 03/1999)			
53	CP047826	CINGHIA Z 27	COURROIE	RIEMEN	BELT	CORREA	1	1	1	1
54	CP050043	MANICO SUP.	GUIDON	STIEL	HANDLE	MANILLAR	1			
55	CP050068	LEVA INNESTO	LEVIER EMBRAYAG	STANGE	LEVER CLUTCH	LEVA	1			
56	CP050073	LEVA FRENO	LEVIER FREIN	STANGE	LEVER	LEVA	1			
57	CP042106	RUOTA 150	ROUE	RAD	WHEEL	RUEDA		2	2	2
57	CP042108	RUOTA 150	ROUE	RAD	WHEEL	RUEDA	2	<-- (fino a / till 04/2004)		
57	CP042118.98	RUOTA 150 PH ZINCO	ROUE ACIER	VERZINKTES RAD	ZINC WHEEL	RUEDA ZINC	2	<-- (da / from 01/2006)		
58	CP050116	RUOTA 200	ROUE	RAD	WHEEL	RUEDA		2	2	2
58	CP050118	RUOTA 200	ROUE	RAD	WHEEL	RUEDA	2	<-- (fino a / till 04/2004)		
58	CP053128.98	RUOTA 209T PH ZINCO	ROUE ACIER	VERZINKTES RAD	ZINC WHEEL	RUEDA ZINC	2	<-- (da / from 01/2006)		
59	CP042127	COPRIRUOTA 150	CACHE MOYEU	RADDECKUNG	HUB CAP	TAPA RUEDA	2 (from 04/2004 to 12/2005)			
59	CP042128	COPRIRUOTA 150	CACHE MOYEU	RADDECKUNG	HUB CAP	TAPA RUEDA	2 (fino a / till 04/2004)			
59	CP047133	COPRIRUOTA	CACHE MOYEU	RADDECKUNG	HUB CAP	TAPA RUEDA	2 (da / from 01/2006)			
60	CP050132	COPRIRUOTA 200-2	CACHE MOYEU	RADDECKUNG	HUB CAP	TAPA RUEDA	2 (from 04/2004 to 12/2005)			
60	CP050133	COPRIRUOTA 200-2	CACHE MOYEU	RADDECKUNG	HUB CAP	TAPA RUEDA	2 (fino a / till 04/2004)			
60	CP047133	COPRIRUOTA	CACHE MOYEU	RADDECKUNG	HUB CAP	TAPA RUEDA	2 (da / from 01/2006)			
61	CP050139	CAVO SEMOVENZA	CABLE D'EMBAYAG	SELBSTBEWEGLICH	CABLE CLUTCH	CABLE TRACCION	1	1	1	1
62	CP050191	MOLLA	RESSORT	FEDER	SPRING	MUELLE	1	1	1	1

GT 45 - GX 45 - AK 45



POS.	CODICE	I	F	D	GB	E	GT 45	GX 45	AK 45		
1	CP025040	VITE AUTOF.	VIS	SCHRAUBE	SCREW	TORNILLO	2	2	2		
2	CP026016	VITE AUTOF.	VIS	SCHRAUBE	SCREW	TORNILLO	7	7	7		
3	CP030825	VITE TE	VIS	SCHRAUBE	SCREW	TORNILLO	4	4	4		
4	CP030880	VITE TE	VIS	SCHRAUBE	SCREW	TORNILLO	3	3	3		
5	CP032813	RONDELLA	RONDELLE	SCHEIBE	WASHER	ARANDELA	4	4	4		
5	CP032913	RONDELLA	RONDELLE	SCHEIBE	WASHER	ARANDELA	4 X RUOTE CP047118.98-CP053118.98				
6	CP032908	RONDELLA	RONDELLE	SCHEIBE	WASHER	ARANDELA	7	7	7		
7	CP032909	RONDELLA	RONDELLE	SCHEIBE	WASHER	ARANDELA	4	4	4		
8	CP037406	CHIAVETTA	CLAVETTE	SCHLÜSSELCHEN	WOODRUFF KEY	CHAVETA	1	1	1		
9	CP038227	CUSCINETTO 12X27	ROULEMENT	KUGELLAGER	BALL BEARING	COJINETE	8	8	8		
9	CP038228	CUSCINETTO	ROULEMENT	KUGELLAGER	BALL BEARING	COJINETE	8 X RUOTE CP047118.98-CP053118.98				
10	CP040640	VITE TTQST	VIS	SCHRAUBE	SCREW	TORNILLO	1	1	1		
11	CP040850	VITE TTQST	VIS	SCHRAUBE	SCREW	TORNILLO	2	4	4		
12	CP040875	VITE TTQST	VIS	SCHRAUBE	SCREW	TORNILLO	2				
13	CP047034	MANICO INF.	GUIDON	STIEL	HANDLE	MANILLAR	1	1	1		
14	CP042216	BLOCCHETTO CAVO F	ATTACHE CABLE FRE	KABELBESCHWERER	CLIP	FIJADOR CABLE	1	1	1		
15	CP042806	DADO	ÉCROU	MUTTER	KNOB	ESPARRAGO	2	2	2		
16	CP042808	DADO	ÉCROU	MUTTER	KNOB	ESPARRAGO	4	4	4		
17	CP044708	DADO	ÉCROU	MUTTER	KNOB	ESPARRAGO	7	7	7		
18	CP045001	CHASSIS VERDE	CARTER	GEHÄUSE	DECK	CHASIS	1				
18	CP045001.02	CHASSIS ROSSO	CARTER	GEHÄUSE	DECK	CHASIS		1			
18	CP045001.03	CHASSIS ARGENTO	CARTER	GEHÄUSE	DECK	CHASIS			1		
19	CP045013	LAMA	LAME	MESSER	BLADE	CUCHILLA	1	1	1		
20	CP045049	ASSALE ANT	AXE AVANT	VORDERACHSE	FRONT AXLE	EJE ANTERIOR	1	1	1		
21	CP045053	ASSALE POS	AXE ARRIERE	HINTERACHSE	REAR AXLE	EJE POSTERIOR	1	1	1		
22	CP045063	TIRANTE ASSALE	BARRE	GESTÄNGE	LINK ROD	TIRANTE EJE	1	1	1		
23	CP045094	DEFLETTORE	DEFLECTEUR	DEFLEKTOR	DEFLECTOR	DEFLECTOR	1	1	1		
24	CP045192	MOLLA	RESSORT	FEDER	SPRING	MUELLE	1	1	1		
25	CP045225	COPERCHIETTO	COUVERCLE	KAPPE	CAP	TAPA	1	1	1		
26	CP045250	PIASTRINA	PLAQUE	PLÄTTCHEN	PLATE	PLANCHA	2	2	2		
27	CP045268	PIASTRA	PLAQUE	PLÄTTCHEN	PLATE	PLANCHA	1	1	1		
28	CP045269	PIASTRA	PLAQUE	PLÄTTCHEN	PLATE	PLANCHA	1	1	1		
29	CP045722	TAPPO	COUVERCLE	KAPPE	CAP	TAPA	6	6	6		
30	CP045911	MOLLA A TAZZA	RONDELLE	SCHEIBE	WASHER	MUELLE	1	1	1		
31	CP046606	RITEGNO	CLIP	RÜCKHALT	RETAINER	ANILLO CLIP	1	1	1		
32	CP046607	RITEGNO	CLIP	RÜCKHALT	RETAINER	ANILLO CLIP	2	2	2		
33	CP046904	FERMO	CLIP	RÜCKHALT	RETAINER	ANILLO CLIP	2	2	2		
34	CP047018	PARASASSI	DEFLECTEUR	DEFLEKTOR	REAR DOOR	DEFLECTOR	1	1	1		
35	CP047078	TELAIO CESTO	ATTELAGE	GRASFANGRAHMEN	FRAME	ARMAZON SACO	1	1	1		
36	CP047083	TELA CESTO BIANCA	SAC RAMASSEUR	GRASFANGSACK	GRASS BAG	SACO TELA	1		1		
36	CP047083.05	TELA CESTO NERA	SAC RAMASSEUR	GRASFANGSACK	GRASS BAG	SACO TELA		1			
37	CP047191	MOLLA	RESSORT	FEDER	SPRING	MUELLE	1	1	1		
38	CP045203	ASTINA	AXE PIVOT	STANGE	HINGE PIN	EJE DEFLECTOR	1	1	1		
39	CP047214	SUPPORTO ASSALE	SUPPORT	ACHSELAGER	SUPPORT	SOPORTE	2	2	2		
40	CP047236	CAPPUCCIO	CACHE MOYEU	KAPPE	HOOD	POMO	1	1	1		
41	CP047242	GANCIO FUNE AVV.	PORTE CABLE	KABELHALTER	CABLE SUPPORT	FIJADOR CABLE	1	1	1		
42	CP047250	COMANDO ACCELERA	LEVIER	STANGE	THROTTLE LEVER	LEVA	1	1	1		
43	CP047254	LEVA ALZO	LEVIER	STANGE	LEVER	LEVA ALTURAS	1	1	1		
44	CP047267	PERNO	GOUJON	ZAPPEN	PIN	PERNO	1	1	1		
45	CP050043	MANICO SUP.	GUIDON	STIEL	HANDLE	MANILLAR	1				
46	CP050071	LEVA FRENO	LEVIER FREIN	STANGE	LEVER	LEVA	1				
47	CP050106	RUOTA 180	ROUE	RAD	WHEEL	RUEDA		2	2		
47	CP050108	RUOTA 180	ROUE	RAD	WHEEL	RUEDA	2	<-- (fino a / till 04/2004)			
47	CP047118.98	RUOTA 180 PH ZINCA	ROUE ACIER	VERZINKTES RAD	ZINC WHEEL	RUEDA ZINC	2	<-- (da / from 01/2006)			
48	CP050110	RUOTA 200	ROUE	RAD	WHEEL	RUEDA		2	2		
48	CP050112	RUOTA 200	ROUE	RAD	WHEEL	RUEDA		<-- (fino a / till 04/2004)			
48	CP053118.98	RUOTA 209 PH ZINCA	ROUE ACIER	VERZINKTES RAD	ZINC WHEEL	RUEDA ZINC	2	<-- (da / from 01/2006)			
49	CP050127	COPRIRUOTA 180	CACHE MOYEU	RADDECKUNG	HUB CAP	TAPA RUEDA	2 (from 04/2004 to 12/2005)				
49	CP050128	COPRIRUOTA 180	CACHE MOYEU	RADDECKUNG	HUB CAP	TAPA RUEDA	2 (fino a / till 04/2004)				
49	CP047133	COPRIRUOTA	CACHE MOYEU	RADDECKUNG	HUB CAP	TAPA RUEDA	2 (da / from 01/2006)				
50	CP050132	COPRIRUOTA 200-230	CACHE MOYEU	RADDECKUNG	HUB CAP	TAPA RUEDA	2 (from 04/2004 to 12/2005)				
50	CP050130	COPRIRUOTA 200	CACHE MOYEU	RADDECKUNG	HUB CAP	TAPA RUEDA	2 (fino a / till 04/2004)				
50	CP047133	COPRIRUOTA	CACHE MOYEU	RADDECKUNG	HUB CAP	TAPA RUEDA	2 (da / from 01/2006)				
51	?-TAB-AC	CAVO ACCELERATOR	CABLE GAZ	KABEL	CABLE	CABLE	1	1	1		
52	?-TAB-FR	CAVO FRENO	CABLE FREIN	KABEL	CABLE	CABLE	1	1	1		
53	CP050192	MOLLA PARASASSI	RESSORT	FEDER	SPRING	MUELLE	1	1	1		
54	CP050212	REGOLATORE MANIC	REGLAGE DE GUIDON	STIELREGULATOR	HANDLE REGULATOR	REGULADOR MANILLA	4				
55	CP050222	FERMACAVO	ATTACHE CABLE	KABELBESCHWERER	CLIP	FIJADOR CABLE	2	2	2		
56	CP050228	POMOLO MANICO	ÉCROU	GRIFF	KNOB HANDLE	POMO MANILLAR	4	4	4		
57	CP050230	RONDELLA	RONDELLE	SCHEIBE	WASHER	ARANDELA	4	4	4		
58	CP050258	PERNO	GOUJON	ZAPPEN	PIN	PERNO	2	2	2		
59	CP053250	RONDELLA	RONDELLE	SCHEIBE	WASHER	ARANDELA	1	1	1		
60	CP050964	VITE LAMA	VIS	SCHRAUBE	SCREW	TORNILLO	1	1	1		
61	CP053273	MOZZO LAMA 22	PORTE LAME	MESSERHALTER	BLADE ADAPTOR	PORTA CUCHILLA	1	1	1		
62	CP053710	DECALCO	DECALQUE	ETIKETTE	DECAL	CARTEL	1				
63	CP053715	DECALCO	DECALQUE	ETIKETTE	DECAL	CARTEL	1	1	1		
64	CP053738	DECALCO	DECALQUE	ETIKETTE	DECAL	CARTEL	1	1	1		
65	CP053802	DECALCO	DECALQUE	ETIKETTE	DECAL	CARTEL	1	1	1		
66	CP053813	DECALCO	DECALQUE	ETIKETTE	DECAL	CARTEL	1	1	1		
67	CP053849	DECALCO AKITA	DECALQUE	ETIKETTE	DECAL	CARTEL			1		
67	CP053860	DECALCO GREENTEA	DECALQUE	ETIKETTE	DECAL	CARTEL	1				
67	CP053861	DECALCO GALAXY	DECALQUE	ETIKETTE	DECAL	CARTEL		1			
68	CP056226	COPRIACCELERATOR	COUVERCLE	DECKEL	COVER	COPA PROTECTORA	1				
69	CP060640	VITE TC	VIS	SCHRAUBE	SCREW	TORNILLO	1	1	1		

GT 45 S - GX 45 S - AK 45 S



RICAMBI ORIGINALI



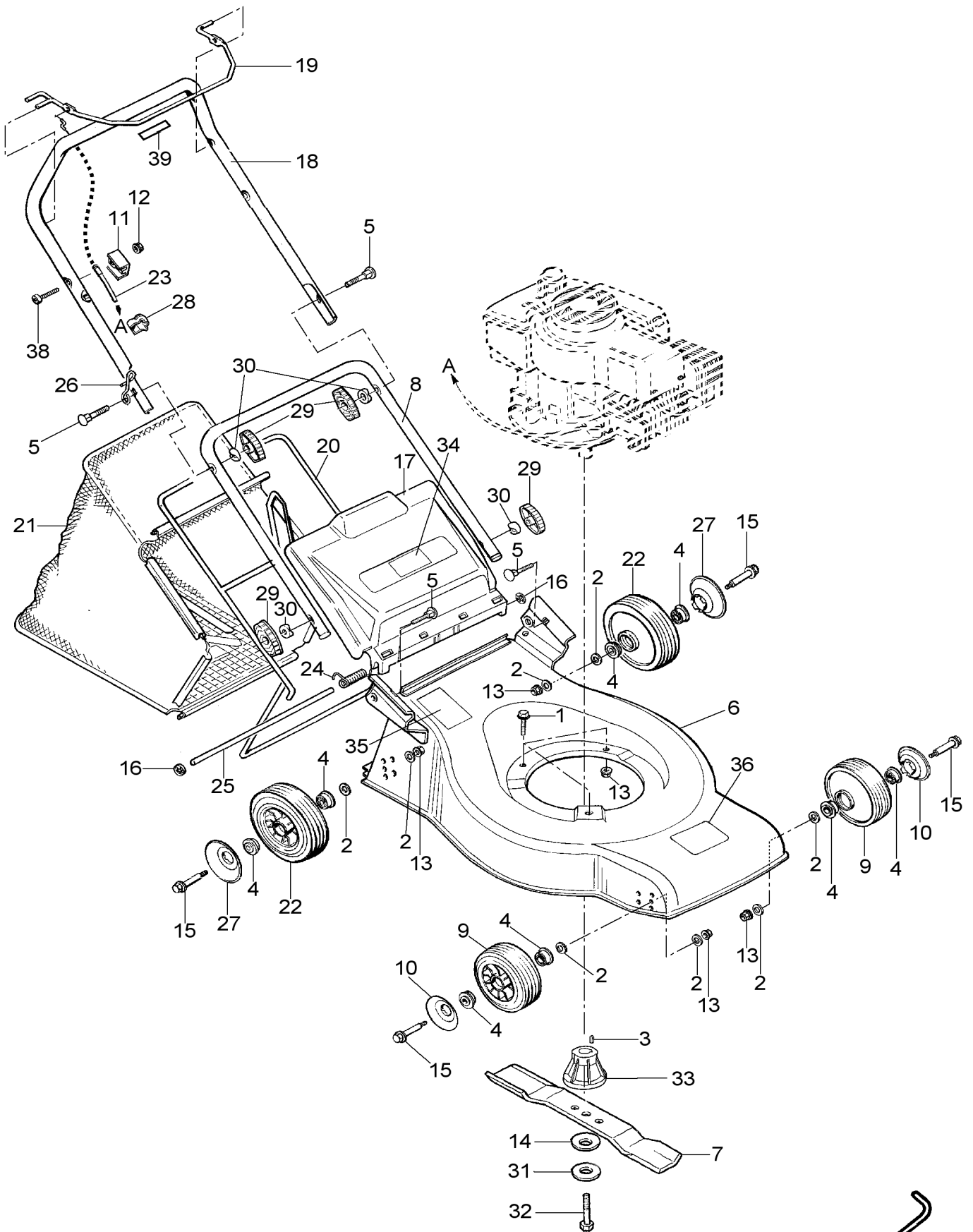
POS.	CODICE	I	F	D	GB	E	GT 45	GX 45	AK 45		
1	CP025040	VITE AUTOF.	VIS	SCHRAUBE	SCREW	TORNILLO	2	2	2		
2	CP026016	VITE AUTOF.	VIS	SCHRAUBE	SCREW	TORNILLO	8	8	8		
3	CP026338	VITE AUTOF.	VIS	SCHRAUBE	SCREW	TORNILLO	1	1	1		
4	CP030630	VITE	VIS	SCHRAUBE	SCREW	TORNILLO	1	1	1		
5	CP030816	VITE TE	VIS	SCHRAUBE	SCREW	TORNILLO	1	1	1		
6	CP030825	VITE TE	VIS	SCHRAUBE	SCREW	TORNILLO	4	4	4		
7	CP030880	VITE TE	VIS	SCHRAUBE	SCREW	TORNILLO	3	3	3		
8	CP032813	RONDELLA	RONDELLE	SCHEIBE	WASHER	ARANDELA	2	2	2		
8	CP032913	RONDELLA	RONDELLE	SCHEIBE	WASHER	ARANDELA	4 X RUOTE CP047118.98-CP053128.98				
9	CP032908	RONDELLA	RONDELLE	SCHEIBE	WASHER	ARANDELA	9	9	9		
10	CP032913	RONDELLA	RONDELLE	SCHEIBE	WASHER	ARANDELA	2	2	2		
11	CP035905	RASAMENTO	RONDELLE	SCHEIBE	WASHER	ARANDELA	2	2	2		
12	CP037305	CHIAVETTA	CLAVETTE	SCHLÜSSELCHEN	WOODRUFF KEY	CHAVETA	2	2	2		
13	CP037406	CHIAVETTA	CLAVETTE	SCHLÜSSELCHEN	WOODRUFF KEY	CHAVETA	1 (fino a / till 03/1999)				
14	CP038226	CUSCINETTO 12X26	ROULEMENT	KUGELLAGER	BALL BEARING	COJINETE	4	4	4		
14	CP038228	CUSCINETTO	ROULEMENT	KUGELLAGER	BALL BEARING	COJINETE	2 X RUOTE CP053128.98				
15	CP038227	CUSCINETTO 12X27	ROULEMENT	KUGELLAGER	BALL BEARING	COJINETE	4	4	4		
15	CP038228	CUSCINETTO	ROULEMENT	KUGELLAGER	BALL BEARING	COJINETE	2 X RUOTE CP047118.98				
16	CP038228	CUSCINETTO	ROULEMENT	KUGELLAGER	BALL BEARING	COJINETE	2	2	2		
17	CP040630	VITE TTQST	VIS	SCHRAUBE	SCREW	TORNILLO	1	1	1		
18	CP040640	VITE TTQST	VIS	SCHRAUBE	SCREW	TORNILLO	1	1	1		
19	CP040850	VITE TTQST	VIS	SCHRAUBE	SCREW	TORNILLO	2	4	4		
20	CP040875	VITE TTQST	VIS	SCHRAUBE	SCREW	TORNILLO	2				
21	CP047034	MANICO INF.	GUIDON	STIEL	HANDLE	MANILLAR	1	1	1		
22	CP042216	BLOCCHETTO CAVO F	ATTACHE CABLE FRE	KABELBESCHWERER	CLIP	FIJADOR CABLE	1	1	1		
23	CP042708	DADO	ÉCROU	MUTTER	KNOB	ESPARRAGO	2	2	2		
24	CP042806	DADO	ÉCROU	MUTTER	KNOB	ESPARRAGO	3	3	3		
25	CP042808	DADO	ÉCROU	MUTTER	KNOB	ESPARRAGO	2	2	2		
26	CP044708	DADO	ÉCROU	MUTTER	KNOB	ESPARRAGO	9	9	9		
27	CP044906	DADO	ÉCROU	MUTTER	KNOB	ESPARRAGO	2	2	2		
28	CP045002	CHASSIS VERDE	CARTER	GEHÄUSE	DECK	CHASIS	1				
28	CP045002.02	CHASSIS ROSSO	CARTER	GEHÄUSE	DECK	CHASIS		1			
28	CP045002.03	CHASSIS ARGENTO	CARTER	GEHÄUSE	DECK	CHASIS			1		
29	CP045013	LAMA	LAME	MESSER	BLADE	CUCHILLA	1	1	1		
30	CP045049	ASSALE ANT	AXE AVANT	VORDERACHSE	FRONT AXLE	EJE ANTERIOR	1	1	1		
31	CP045058	ASSALE POS	AXE ARRIERE	HINTERACHSE	REAR AXLE	EJE POSTERIOR	1	1	1		
32	CP045063	TIRANTE ASSALE	BARRE	GESTÄNGE	LINK ROD	TIRANTE EJE	1	1	1		
33	CP045088	RIDUTTORE TR 45	REDUCTEUR	UNTERSETZUNGGETR	GEAR BOX ASSY	TRANSMISION	1	1	1		
34	CP045094	DEFLETTORE	DEFLECTEUR	DEFLEKTOR	DEFLECTOR	DEFLECTÓR	1	1	1		
35	CP045098	COPRICINGHIA	COUVERCLE COURRC	RIEMENSCHUTZ	BELT COVER	TAPA	1	1	1		
36	CP045192	MOLLA	RESSORT	FEDER	SPRING	MUELLE	1	1	1		
37	CP045225	COPERCHIETTO	COUVERCLE	KAPPE	CAP	TAPA	1	1	1		
38	CP045250	PIASTRINA	PLAQUE	PLÄTTCHEN	PLATE	PLANCHA	2	2	2		
39	CP045268	PIASTRA	PLAQUE	PLÄTTCHEN	PLATE	PLANCHA	1	1	1		
40	CP045269	PIASTRA	PLAQUE	PLÄTTCHEN	PLATE	PLANCHA	1	1	1		
41	CP045530	SPINA	GOUPILLE	DORN	PIN	PASADOR	1	1	1		
42	CP045722	TAPPO	COUVERCLE	KAPPE	CAP	TAPA	4	2	2		
43	CP045810	GRANO	VIS	SCHRAUBE	SCREW	TORNILLO	1 (fino a / till 03/1999)				
44	CP045911	MOLLA A TAZZA	RONDELLE	SCHEIBE	WASHER	MUELLE	1	1	1		
45	CP046606	RITEGNO	CLIP	RÜCKHALT	RETAINER	ANILLO CLIP	1	1	1		
46	CP046607	RITEGNO	CLIP	RÜCKHALT	RETAINER	ANILLO CLIP	2	2	2		
47	CP046812	SEEGER	SEEGER	RÜCKHALT	RETAINER	ANILLO CLIP	4	4	4		
48	CP046904	FERMO	CLIP	RÜCKHALT	RETAINER	ANILLO CLIP	2	2	2		
49	CP047018	PARASASSI	DEFLECTEUR	DEFLEKTOR	REAR DOOR	DEFLECTÓR	1	1	1		
50	CP047078	TELAIO CESTO	ATTELAGE	GRASFANGRAHMEN	FRAME	ARMAZON SACO	1	1	1		
51	CP047083	TELA CESTO BIANCA	SAC RAMASSEUR	GRASFANGSACK	GRASS BAG	SACO TELA	1		1		
51	CP047083.05	TELA CESTO NERA	SAC RAMASSEUR	GRASFANGSACK	GRASS BAG	SACO TELA		1			
52	?-TAB-AC	CAVO ACCELERATOR	CABLE GAZ	KABEL	CABLE	CABLE	1	1	1		
53	CP047191	MOLLA	RESSORT	FEDER	SPRING	MUELLE	1	1	1		
54	CP045203	ASTINA	AXE PIVOT	STANGE	HINGE PIN	EJE DEFLECTÓR	1	1	1		
55	CP047215	SUPPORTO ASSALE	SUPPORT	ACHSELAGER	SUPPORT	SOPORTE	2	2	2		
56	CP047236	CAPPUCCIO	CACHE MOYEU	KAPPE	HOOD	POMO	1	1	1		
57	CP047242	GANCIO FUNE AVV.	PORTE CABLE	KABELHALTER	CABLE SUPPORT	FIJADOR CABLE	1	1	1		
58	CP047250	COMANDO ACCELERA	LEVIER	STANGE	THROTTLE LEVER	LEVA	1	1	1		
59	CP047254	LEVA ALZO	LEVIER	STANGE	LEVER	LEVA ALTURAS	1	1	1		
60	CP047267	PERNO	GOUJON	ZAPFEN	PIN	PERNO	1	1	1		
61	CP047829	CINGHIA Z 29 1/2	COURROIE	RIEMEN	BELT	CORREA	1	1	1		
62	CP050043	MANICO SUP.	GUIDON	STIEL	HANDLE	MANILLAR	1				
63	CP050068	LEVA INNESTO	LEVIER EMBRAYAGE	STANGE	LEVER CLUTCH	LEVA	1				
64	CP050073	LEVA FRENO	LEVIER FREIN	STANGE	LEVER	LEVA	1				
65	CP050106	RUOTA 180	ROUE	RAD	WHEEL	RUEDA		2	2		
65	CP050108	RUOTA 180	ROUE	RAD	WHEEL	RUEDA	2	<-- (fino a / till 04/2004)			
65	CP047118.98	RUOTA 180 PH ZINCA	ROUE ACIER	VERZINKTES RAD	ZINC WHEEL	RUEDA ZINC	2	<-- (da / from 01/2006)			
66	CP050116	RUOTA 200	ROUE	RAD	WHEEL	RUEDA		2	2		
66	CP050118	RUOTA 200	ROUE	RAD	WHEEL	RUEDA	2	<-- (fino a / till 04/2004)			
66	CP053128.98	RUOTA 209T PH ZINCA	ROUE ACIER	VERZINKTES RAD	ZINC WHEEL	RUEDA ZINC	2	<-- (da / from 01/2006)			
67	CP050127	COPRIRUOTA 180	CACHE MOYEU	RADDECKUNG	HUB CAP	TAPA RUEDA	2 (from 04/2004 to 12/2005)				
67	CP050128	COPRIRUOTA 180	CACHE MOYEU	RADDECKUNG	HUB CAP	TAPA RUEDA	2 (fino a / till 04/2004)				
67	CP047133	COPRIRUOTA	CACHE MOYEU	RADDECKUNG	HUB CAP	TAPA RUEDA	2 (da / from 01/2006)				
68	CP050132	COPRIRUOTA 200-230	CACHE MOYEU	RADDECKUNG	HUB CAP	TAPA RUEDA	2 (from 04/2004 to 12/2005)				
68	CP050133	COPRIRUOTA 200-230	CACHE MOYEU	RADDECKUNG	HUB CAP	TAPA RUEDA	2 (fino a / till 04/2004)				
68	CP047133	COPRIRUOTA	CACHE MOYEU	RADDECKUNG	HUB CAP	TAPA RUEDA	2 (da / from 01/2006)				
69	CP050139	CAVO SEMOVENZA	CABLE D'EMBAYAGE	SELBSTBEWEGLICHK	CABLE CLUTCH	CABLE TRACCION	1	1	1		
70	?-TAB-FR	CAVO FRENO	CABLE FREIN	KABEL	CABLE	CABLE	1	1	1		
71	CP050192	MOLLA PARASASSI	RESSORT	FEDER	SPRING	MUELLE	1	1	1		

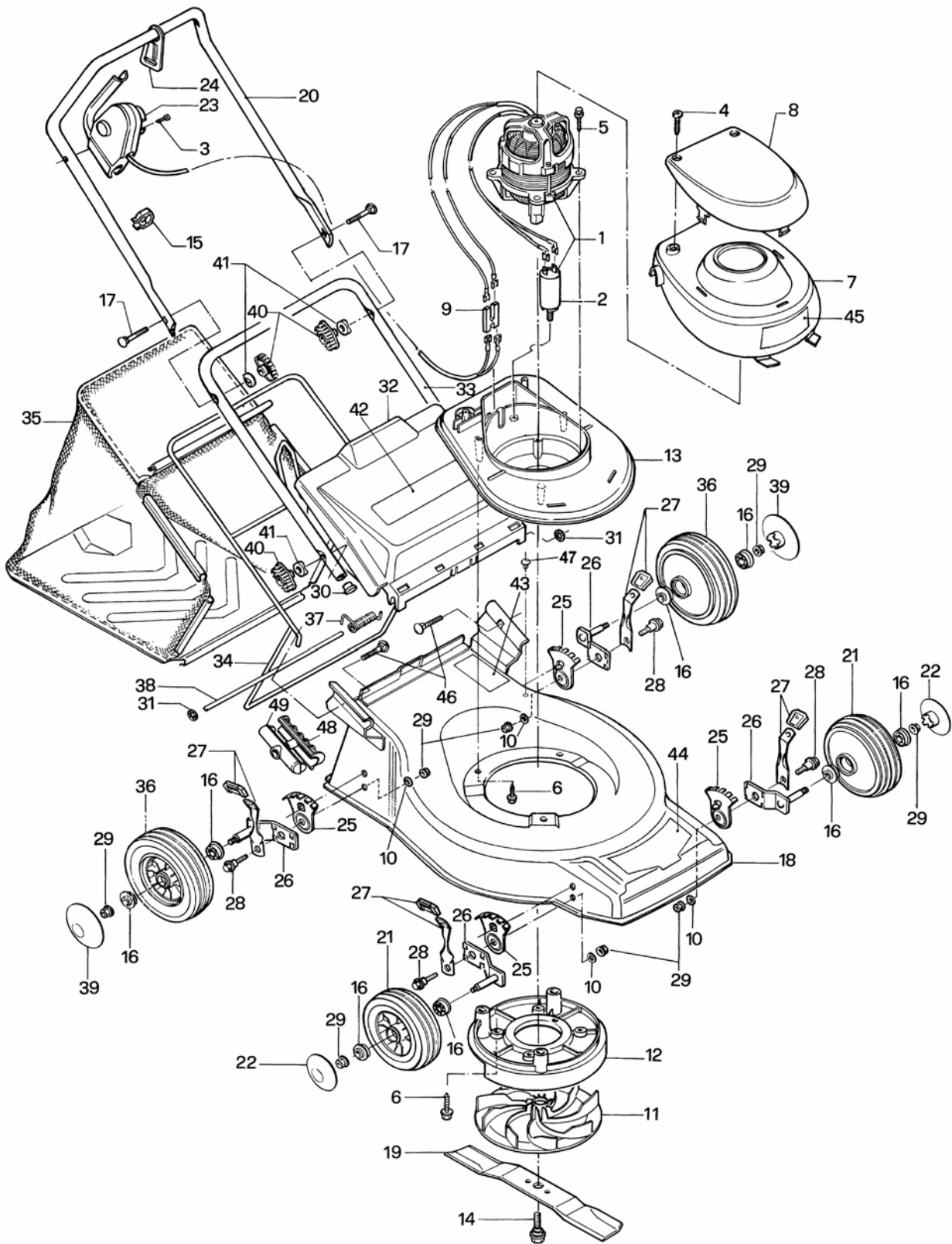
MA.RI.NA.

GT 45 S - GX 45 S - AK 45 S

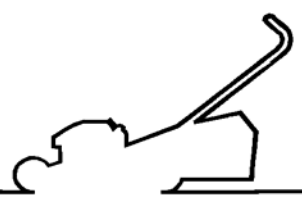
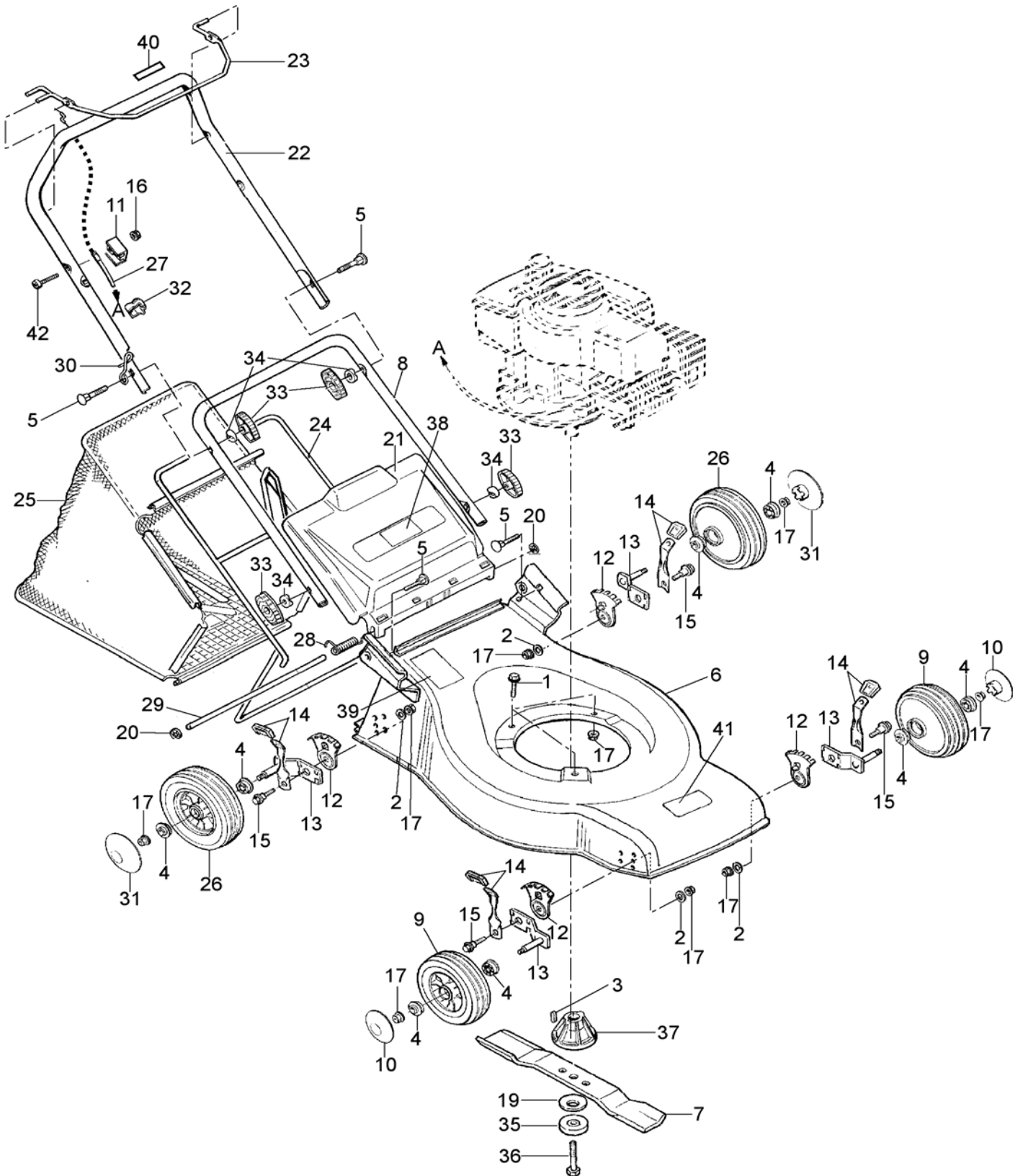
POS.	CODICE	I	F	D	GB	E	GT 45	GX 45	AK 45
72	CP050194	MOLLA	RESSORT	FEDER	SPRING	MUELLE	2	2	2
73	CP050212	REGOLATORE MANICO	REGLAGE DE GUIDON	STIELREGULATOR	HANDLE REGULATOR	REGULADOR MANILLA	4		
74	CP050214	COPRIRUOTA INTERN	CACHE MOYEU	RADDECKUNG	HUB CAP	TAPA RUEDA	2	2	2
75	CP050222	FERMACAVO	ATTACHE CABLE	KABELBESCHWERER	CLIP	FIJADOR CABLE	2	2	2
76	CP050228	POMOLO MANICO	ÉCROU	GRIFF	KNOB HANDLE	POMO MANILLAR	4	4	4
77	CP050230	RONDELLA	RONDELLE	SCHEIBE	WASHER	ARANDELA	6	6	6
78	CP050234	RONDELLA	RONDELLE	SCHEIBE	WASHER	ARANDELA	2	2	2
79	CP050238	RONDELLA	RONDELLE	SCHEIBE	WASHER	ARANDELA	4	4	4
80	CP050240	PULEGGIA D.55	POULIE	RIEMENSCHLEIBE	PULLEY	POLEA	1	1	1
81	CP050243	STAFFETTA REGISTR	EQUARRE	WINKELMASS	BRACKET	ABRAZADERA CABLE	1	1	1
82	CP050256	VITE SPECIALE	VIS	SCHRAUBE	SCREW	TORNILLO	1	1	1
83	CP050258	PERNO	GOIJON	ZAPFEN	PIN	PERNO	1	1	1
84	CP053250	RONDELLA	RONDELLE	SCHEIBE	WASHER	ARANDELA	1	1	1
85	CP050262	PULEGGIA MOTORE 2	POULIE	RIEMENSCHLEIBE	PULLEY	POLEA	1 (fino a / till 03/1999)		
86	CP050298	INGRANAGGIO	PIGNON	GETRIEBE	PINION	ENGRANAJE	2	2	2
87	CP050964	VITE LAMA	VIS	SCHRAUBE	SCREW	TORNILLO	1	1	1
88	CP053273	MOZZO LAMA 22	PORTE LAME	MESSERHALTER	BLADE ADAPTOR	PORTA CUCHILLA	1 (fino a / till 03/1999)		
89	CP053710	DECALCO	DECALQUE	ETIKETTE	DECAL	CARTEL	1	1	1
90	CP053715	DECALCO	DECALQUE	ETIKETTE	DECAL	CARTEL	1	1	1
91	CP053738	DECALCO	DECALQUE	ETIKETTE	DECAL	CARTEL	1	1	1
92	CP053802	DECALCO	DECALQUE	ETIKETTE	DECAL	CARTEL	1	1	1
93	CP053813	DECALCO	DECALQUE	ETIKETTE	DECAL	CARTEL	1	1	1
94	CP053842	DECALCO	DECALQUE	ETIKETTE	DECAL	CARTEL	1	1	1
95	CP053843	DECALCO	DECALQUE	ETIKETTE	DECAL	CARTEL	1	1	1
96	CP053849	DECALCO AKITA	DECALQUE	ETIKETTE	DECAL	CARTEL			1
96	CP053860	DECALCO GREENTEA	DECALQUE	ETIKETTE	DECAL	CARTEL	1		
96	CP053861	DECALCO GALAXY	DECALQUE	ETIKETTE	DECAL	CARTEL		1	
97	CP056226	COPRIACCELERATOR	COUVERCLE	DECKEL	COVER	COPA PROTECTORA	1		
98	CP060640	VITE TC	VIS	SCHRAUBE	SCREW	TORNILLO	1	1	1
99	CP070451	PIASTRINA	PLAQUE	PLÄTTCHEN	PLATE	PLANCHA	1	1	1
101	CP026316	VITE AUTOF.	VIS	SCHRAUBE	SCREW	TORNILLO	1	1	1
102	CP053274	MOZZO CON PULEGG	PORTE LAME + POULI	MESSERHALTER	BLADE ADAPTOR+PUL	PORTA CUCHILLA+PO	1 (da/from 04/1999 a/to 05/2003)		
102	CP053274A	MOZZO CON PULEGG	PORTE LAME + POULI	MESSERHALTER	BLADE ADAPTOR+PUL	PORTA CUCHILLA+PO	1 (da / from 06/2003)		
103	CP047042	MANICO SUP.	GUIDON	STIEL	HANDLE	MANILLAR		1	1
104	CP047068	LEVA INNESTO	LEVIER EMBRAYAGE	STANGE	LEVER CLUTCH	LEVA		1	1
105	CP047073	LEVA FRENO	LEVIER FREIN	STANGE	LEVER	LEVA		1	1
106	CP047220	COPRIACCELERATOR	COUVERCLE	DECKEL	COVER	COPA PROTECTORA		1	1
107	CP053713	DECALCO	DECALQUE	ETIKETTE	DECAL	CARTEL		1	1
108	CP050232	BOCCOLA	BOUCLE	BÜCHSE	BUSH	COJINETE	2	2	2

RECORD 2



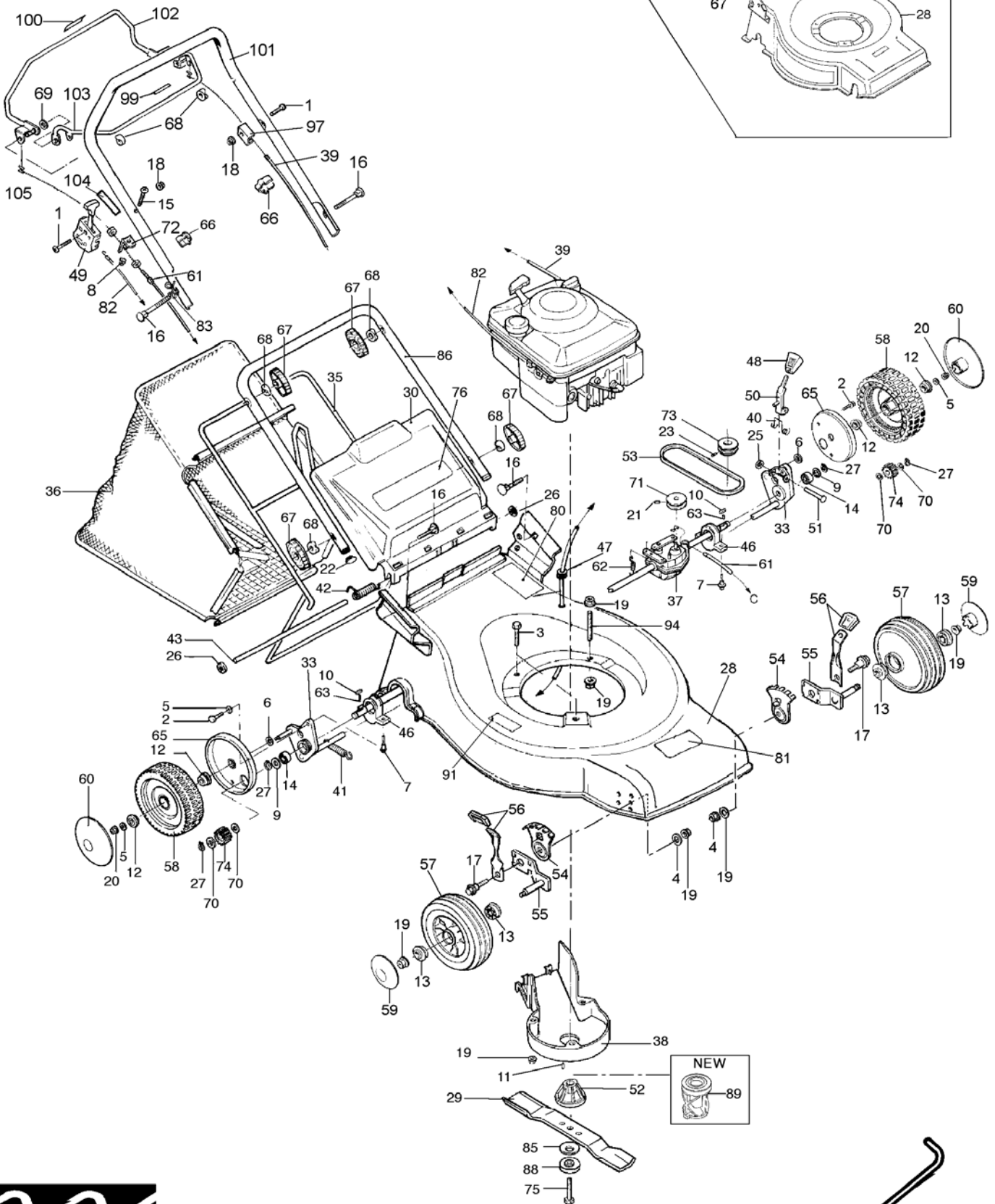
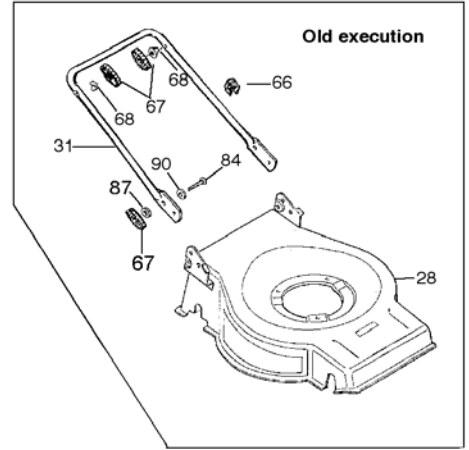


POS.	CODICE	I	F	D	GB	E	Q.TA'
1	CP017160F	MOTORE EL. 1600 W	MOTEUR	MOTOR	ENGINE	MOTOR	1
2	CP019820	CONDENSATORE 20 M	CONDENSATEUR	KONDENSATOR	CONDENSER	CONDENSADOR	1
3	CP023925	VITE AUTOF.	VIS	SCHRAUBE	SCREW	TORNILLO	2
4	CP025030	VITE AUTOF.	VIS	SCHRAUBE	SCREW	TORNILLO	2
5	CP026030	VITE AUTOF.	VIS	SCHRAUBE	SCREW	TORNILLO	4
6	CP026322	VITE AUTOF.	VIS	SCHRAUBE	SCREW	TORNILLO	7
7	CP032102	CUPOLINA INF. BIANCA	CALOTTE	VERKLEIDUNG	COVER	CARCASA	1
8	CP032103.12	CUPOLINA SUP. TURCH	CALOTTE	VERKLEIDUNG	COVER	CARCASA	1
9	CP019910	MORSETTO	ATTACHE CABLE	KABELBESCHWERER	CLIP	FIJADOR CABLE	1
10	CP032909	RONDELLA	RONDELLE	SCHEIBE	WASHER	ARANDELA	4
11	CP040158	VENTOLA	VENTILATEUR	LAUFRAD	FAN	VENTILADOR	1
12	CP040174	CONVOGLIATORE	CALOTTE	LAUFRADGEHÄUSE	FAN BOX	CARCASA	1
13	CP040175	BASE MOTORE	PORTE MOTEUR	MOTERGEHÄUSE	MOTOR BOX	BASE MOTOR	1
14	CP040209	VITE LAMA	VIS	SCHRAUBE	SCREW	TORNILLO	1
15	CP050222	FERMACAUTO	ATTACHE CABLE	KABELBESCHWERER	CLIP	FIJADOR CABLE	1
16	CP040226	BOCCOLA	BOUCLE	BÜHSE	BUSH	COJINETE	8
17	CP040850	VITE TTQST	VIS	SCHRAUBE	SCREW	TORNILLO	2
18	CP046002.12	CHASSIS TURCHESE	CARTER	GEHÄUSE	DECK	CHASIS	1
19	CP047010	LAMA	LAME	MESSER	BLADE	CUCHILLA	1
20	CP042038	MANICO SUP.	GUIDON	STIEL	HANDLE	MANILLAR	1
21	CP042109	RUOTA 150	ROUE	RAD	WHEEL	RUEDA	2
22	CP042127	COPRIRUOTA 150	CACHE MOYEU	RADDECKUNG	HUB CAP	TAPA RUEDA	2 (da/from04/2004)
22	CP042128	COPRIRUOTA 150	CACHE MOYEU	RADDECKUNG	HUB CAP	TAPA RUEDA	2 (fino a / till 04/2004)
23	CP042185	INTERRUPTORE D-I-A-B	INTERRUPTEUR	SCHALTER D-I-F-A-B-N	SWITCH	INTERRUPTOR	1
24	CP042222	SUPPORTO CAVO	PORTE CABLE	KABELHALTER	CABLE SUPPORT	FIJADOR CABLE	1
25	CP042245	SETTORE	SECTEUR	PLATTE	SECTOR	PLACA ALTURAS	4
26	CP042248	SUPPORTO	SUPPORT	ACHSELAGER	SUPPORT	SOPORTE	4
27	CP042250	LEVA ALZO	LEVIER	STANGE	LEVER	LEVA ALTURAS	4
28	CP042268	VITE	VIS	SCHRAUBE	SCREW	TORNILLO	4
29	CP042808	DADO	ÉCROU	MUTTER	KNOB	ESPARRAGO	8
31	CP046607	RITEGNO	CLIP	RÜCKHALT	RETAINER	ANILLO CLIP	2
32	CP047018	PARASASSI	DEFLECTEUR	DEFLEKTOR	REAR DOOR	DEFLECTOR	1
33	CP047032	MANICO INF.	GUIDON	STIEL	HANDLE	MANILLAR	1
34	CP047078	TELAIO CESTO	ATTELAGE	GRASFANGRAHMEN	FRAME	ARMAZON SACO	1
35	CP047083.05	TELA CESTO NERA	SAC RAMASSEUR	GRASFANGSACK	GRASS BAG	SACO TELA	1
36	CP047109	RUOTA 180	ROUE	RAD	WHEEL	RUEDA	2
37	CP050192	MOLLA PARASASSI	RESSORT	FEDER	SPRING	MUELLE	1
38	CP047203	ASTINA	AXE PIVOT	STANGE	HINGE PIN	EJE DEFLECTOR	1
39	CP050127	COPRIRUOTA 180	CACHE MOYEU	RADDECKUNG	HUB CAP	TAPA RUEDA	2 (da/from04/2004)
39	CP050128	COPRIRUOTA 180	CACHE MOYEU	RADDECKUNG	HUB CAP	TAPA RUEDA	2 (fino a / till 04/2004)
40	CP050228	POMOLO MANICO	ÉCROU	GRIFF	KNOB HANDLE	POMO MANILLAR	4
41	CP050230	RONDELLA	RONDELLE	SCHEIBE	WASHER	ARANDELA	2
42	CP053714	DECALCO	DECALQUE	ETIKETTE	DECAL	CARTEL	1
43	CP053813	DECALCO	DECALQUE	ETIKETTE	DECAL	CARTEL	1
44	CP053862	DECALCO SPARTAN	DECALQUE	ETIKETTE	DECAL	CARTEL	1
45	CP053890	DECALCO	DECALQUE	ETIKETTE	DECAL	CARTEL	1
46	CP040860	VITE TTQST	VIS	SCHRAUBE	SCREW	TORNILLO	2
47	CP045713	TAPPO	COUVERCLE	KAPPE	CAP	TAPA	1
48	CP042212M	ISOLATORE 1/2 MASCH	DEMI ISOLATEUR	HALF ISOLATOR	HALF INSULATOR	MITAD AISLADOR	2
49	CP042212F	ISOLATORE 1/2 FEMMI	DEMI ISOLATEUR	HALF ISOLATOR	HALF INSULATOR	MITAD AISLADOR	2

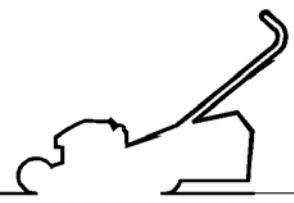


SP 46 S

Old execution

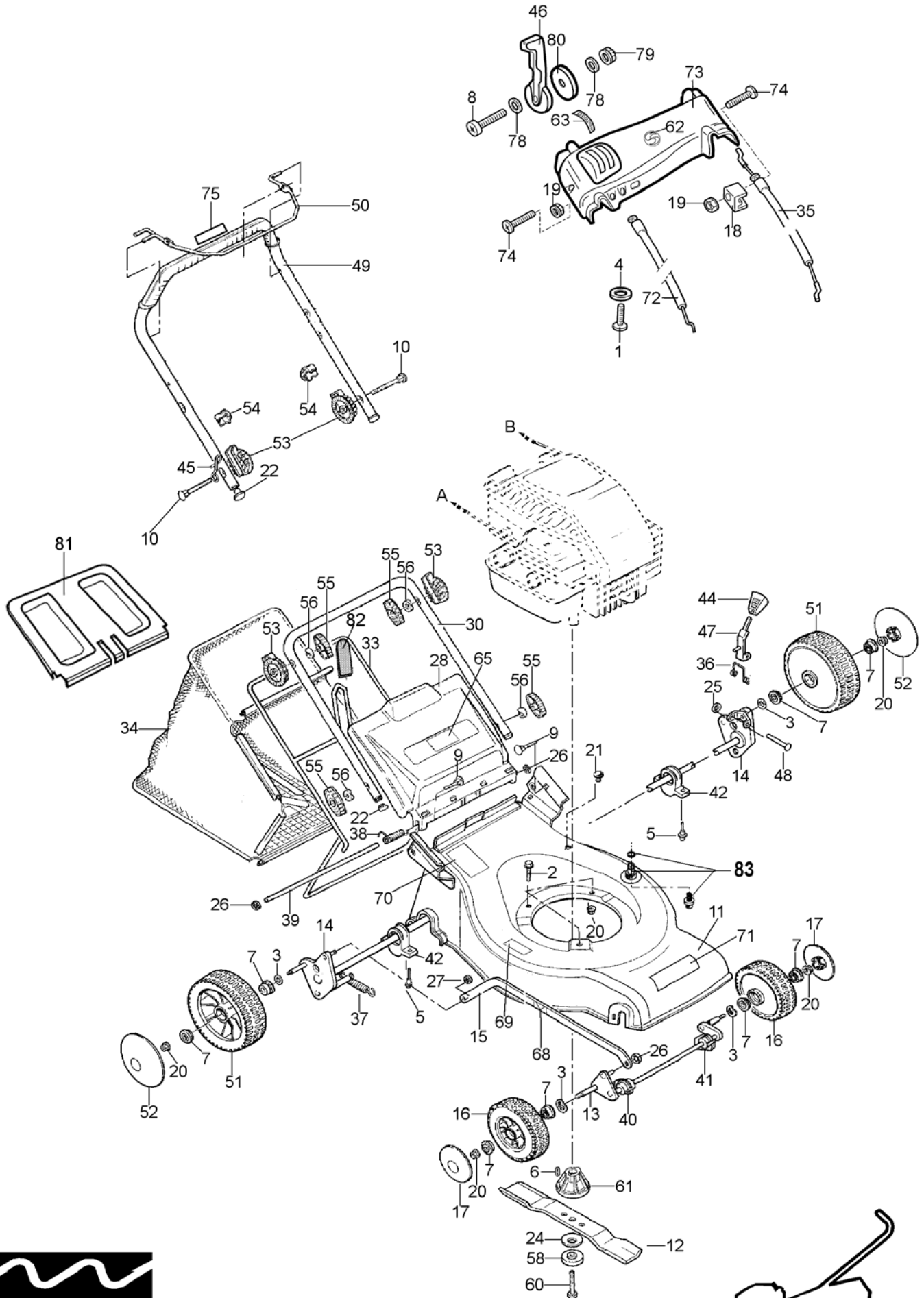


RICAMBI ORIGINALI



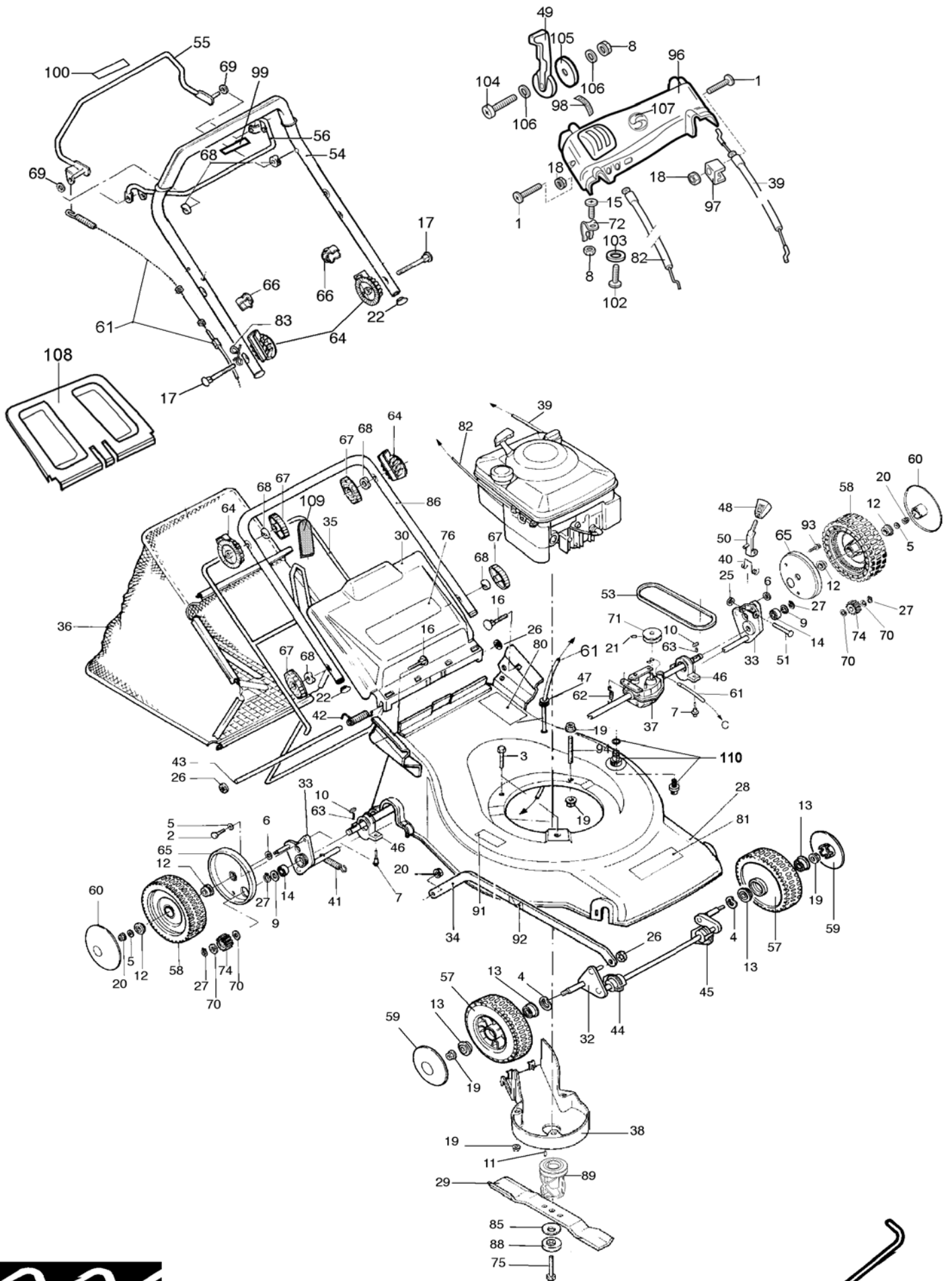
POS.	CODICE	I	F	D	GB	E	QTA'
1	CP060640	VITE TC	VIS	SCHRAUBE	SCREW	TORNILLO	2
2	CP030816	VITE TE	VIS	SCHRAUBE	SCREW	TORNILLO	2
3	CP030845	VITE TE	VIS	SCHRAUBE	SCREW	TORNILLO	3
4	CP032909	RONDELLA	RONDELLE	SCHEIBE	WASHER	ARANDELA	2
5	CP032908	RONDELLA	RONDELLE	SCHEIBE	WASHER	ARANDELA	5
6	CP032913	RONDELLA	RONDELLE	SCHEIBE	WASHER	ARANDELA	2
7	CP034615	RIVETTO	RIVET	NIET	RIVET	CLAVO	4
8	CP044906	DADO	ÉCROU	MUTTER	KNOB	ESPARRAGO	1
9	CP035905	RASAMENTO	RONDELLE	SCHEIBE	WASHER	ARANDELA	2
10	CP037305	CHIAVETTA	CLAVETTE	SCHLÜSSELCHEN	WOODRUFF KEY	CHAVETA	2
11	CP037406	CHIAVETTA	CLAVETTE	SCHLÜSSELCHEN	WOODRUFF KEY	CHAVETA	1 (fino a / till 03/1999)
12	CP038226	CUSCINETTO 12X26	ROULEMENT	KUGELLAGER	BALL BEARING	COJINETE	4
13	CP040226	BOCCOLA	BOUCLE	BÜCHSE	BUSH	COJINETE	4
14	CP038228	CUSCINETTO	ROULEMENT	KUGELLAGER	BALL BEARING	COJINETE	2
15	CP040630	VITE TTQST	VIS	SCHRAUBE	SCREW	TORNILLO	1
16	CP040850	VITE TTQST	VIS	SCHRAUBE	SCREW	TORNILLO	4
17	CP042268	VITE	VIS	SCHRAUBE	SCREW	TORNILLO	2
18	CP042806	DADO	ÉCROU	MUTTER	KNOB	ESPARRAGO	2
19	CP042808	DADO	ÉCROU	MUTTER	KNOB	ESPARRAGO	11
20	CP044708	DADO	ÉCROU	MUTTER	KNOB	ESPARRAGO	3
21	CP045530	SPINA	GOUPILLE	DORN	PIN	PASADOR	1
22	CP045722	TAPPO	COUVERCLE	KAPPE	CAP	TAPA	2
23	CP045810	GRANO	VIS	SCHRAUBE	SCREW	TORNILLO	1 (fino a / till 03/1999)
25	CP046606	RITEGNO	CLIP	RÜCKHALT	RETAINER	ANILLO CLIP	1
26	CP046607	RITEGNO	CLIP	RÜCKHALT	RETAINER	ANILLO CLIP	2
27	CP046812	SEEGER	SEEGER	RÜCKHALT	RETAINER	ANILLO CLIP	4
28	CP046004.12	CHASSIS TURCHESE	CARTER	GEHÄUSE	DECK	CHASIS	1
29	CP047013	LAMA	LAME	MESSER	BLADE	CUCHILLA	1
30	CP047018	PARASASSI	DEFLECTEUR	DEFLEKTOR	REAR DOOR	DEFLECTÓR	1
31	CP047033	MANICO INF.	GUIDON	STIEL	HANDLE	MANILLAR	1
33	CP047058	ASSALE POS	AXE ARRIERE	HINTERACHSE	REAR AXLE	EJE POSTERIOR	1
35	CP047078	TELAIO CESTO	ATTELAGE	GRASFANGGRAHMEN	FRAME	ARMAZON SACO	1
36	CP047083.05	TELA CESTO NERA	SAC RAMASSEUR	GRASFANGSACK	GRASS BAG	SACO TELA	1
37	CP047088	RIDUTTORE TR 47	REDUCTEUR	UNTERSETZUNGGETR.	GEAR BOX ASSY	TRANSMISION	1
38	CP047096	COPRICINGHIA	COUVERCLE COURRO	RIEMENSCHUTZ	BELT COVER	TAPA	1
39	?-TAB-FR	CAVO FRENO	CABLE FREIN	KABEL	CABLE	CABLE	1
40	CP047191	MOLLA	RESSORT	FEDER	SPRING	MUELLE	1
41	CP047192	MOLLA	RESSORT	FEDER	SPRING	MUELLE	1
42	CP050192	MOLLA PARASASSI	RESSORT	FEDER	SPRING	MUELLE	1
43	CP047203	ASTINA	AXE PIVOT	STANGE	HINGE PIN	EJE DEFLECTÓR	1
46	CP047215	SUPPORTO ASSALE	SUPPORT	ACHSELAGER	SUPPORT	SOPORTE	2
47	CP047217	PASSACAVO	JOINTE	RING	RING	ANILLO	1
48	CP047236	CAPPUCCIO	CACHE MOYEU	KAPPE	HOOD	POMO	1
49	CP047250	COMANDO ACCELERATA	LEVIER	STANGE	THROTTLE LEVER	LEVA	1
50	CP047255	LEVA ALZO	LEVIER	STANGE	LEVER	LEVA ALTURAS	1
51	CP047267	PERNO	GOUJON	ZAPPEN	PIN	PERNO	1
52	CP053273	MOZZO LAMA 22	PORTE LAME	MESSERHALTER	BLADE ADAPTOR	PORTA CUCHILLA	1 (fino a / till 03/1999)
53	CP047827	CINGHIA Z 27 1/2	COURROIE	RIEMEN	BELT	CORREA	1
54	CP042245	SETTORE	SECTEUR	PLATTE	SECTOR	PLACA ALTURAS	2
55	CP042248	SUPPORTO	SUPPORT	ACHSELAGER	SUPPORT	SOPORTE	2
56	CP042250	LEVA ALZO	LEVIER	STANGE	LEVER	LEVA ALTURAS	2
57	CP047109	RUOTA 180	ROUE	RAD	WHEEL	RUEDA	2
58	CP050116	RUOTA 200	ROUE	RAD	WHEEL	RUEDA	2
59	CP050127	COPRIRUOTA 180	CACHE MOYEU	RADDECKUNG	HUB CAP	TAPA RUEDA	2 (da/from04/2004)
59	CP050128	COPRIRUOTA 180	CACHE MOYEU	RADDECKUNG	HUB CAP	TAPA RUEDA	2 (fino a / till 04/2004)
60	CP050132	COPRIRUOTA 200-230	CACHE MOYEU	RADDECKUNG	HUB CAP	TAPA RUEDA	2 (da/from04/2004)
60	CP050133	COPRIRUOTA 200-230	CACHE MOYEU	RADDECKUNG	HUB CAP	TAPA RUEDA	2 (fino a / till 04/2004)
61	CP050139	CAVO SEMOVENZA	CABLE D'EMBRAYAGE	SELBSTBEWEGLICHKA	CABLE CLUTCH	CABLE TRACCION	1
62	CP050191	MOLLA	RESSORT	FEDER	SPRING	MUELLE	1
63	CP050194	MOLLA	RESSORT	FEDER	SPRING	MUELLE	2
65	CP050214	COPRIRUOTA INTERN	CACHE MOYEU	RADDECKUNG	HUB CAP	TAPA RUEDA	2
66	CP050222	FERMACAVO	ATTACHE CABLE	KABELBESCHWERER	CLIP	FIJADOR CABLE	2
67	CP050228	POMOLO MANICO	ÉCROU	GRIFF	KNOB HANDLE	POMO MANILLAR	4
68	CP050230	RONDELLA	RONDELLE	SCHEIBE	WASHER	ARANDELA	6
69	CP050234	RONDELLA	RONDELLE	SCHEIBE	WASHER	ARANDELA	2
70	CP050238	RONDELLA	RONDELLE	SCHEIBE	WASHER	ARANDELA	4
71	CP050240	PULEGGIA D.55	POULIE	RIEMENSCHLEIBE	PULLEY	POLEA	1
72	CP050243	STAFFETTA REGISTRO	EQUARRE	WINKELMASS	BRACKET	ABRAZDERA CABLE	1
73	CP050262	PULEGGIA MOTORE 22	POULIE	RIEMENSCHLEIBE	PULLEY	POLEA	1 (fino a / till 03/1999)
74	CP050298	INGRANAGGIO	PIGNON	GETRIEBE	PINION	ENGRANAJE	2
75	CP050964	VITE LAMA	VIS	SCHRAUBE	SCREW	TORNILLO	1
76	CP053715	DECALCO	DECALQUE	ETIKETTE	DECAL	CARTEL	1
80	CP053813	DECALCO	DECALQUE	ETIKETTE	DECAL	CARTEL	1
81	CP053862	DECALCO SPARTAN	DECALQUE	ETIKETTE	DECAL	CARTEL	1
82	?-TAB-AC	CAVO ACCELERATORE	CABLE GAZ	KABEL	CABLE	CABLE	1
83	CP047242	GANCIO FUNE AVV.	PORTE CABLE	KABELHALTER	CABLE SUPPORT	FIJADOR CABLE	1
84	CP040835	VITE TTQST	VIS	SCHRAUBE	SCREW	TORNILLO	2
85	CP045911	MOLLA A TAZZA	RONDELLE	SCHEIBE	WASHER	MUELLE	1
86	CP047034	MANICO INF.	GUIDON	STIEL	HANDLE	MANILLAR	1

MX 46



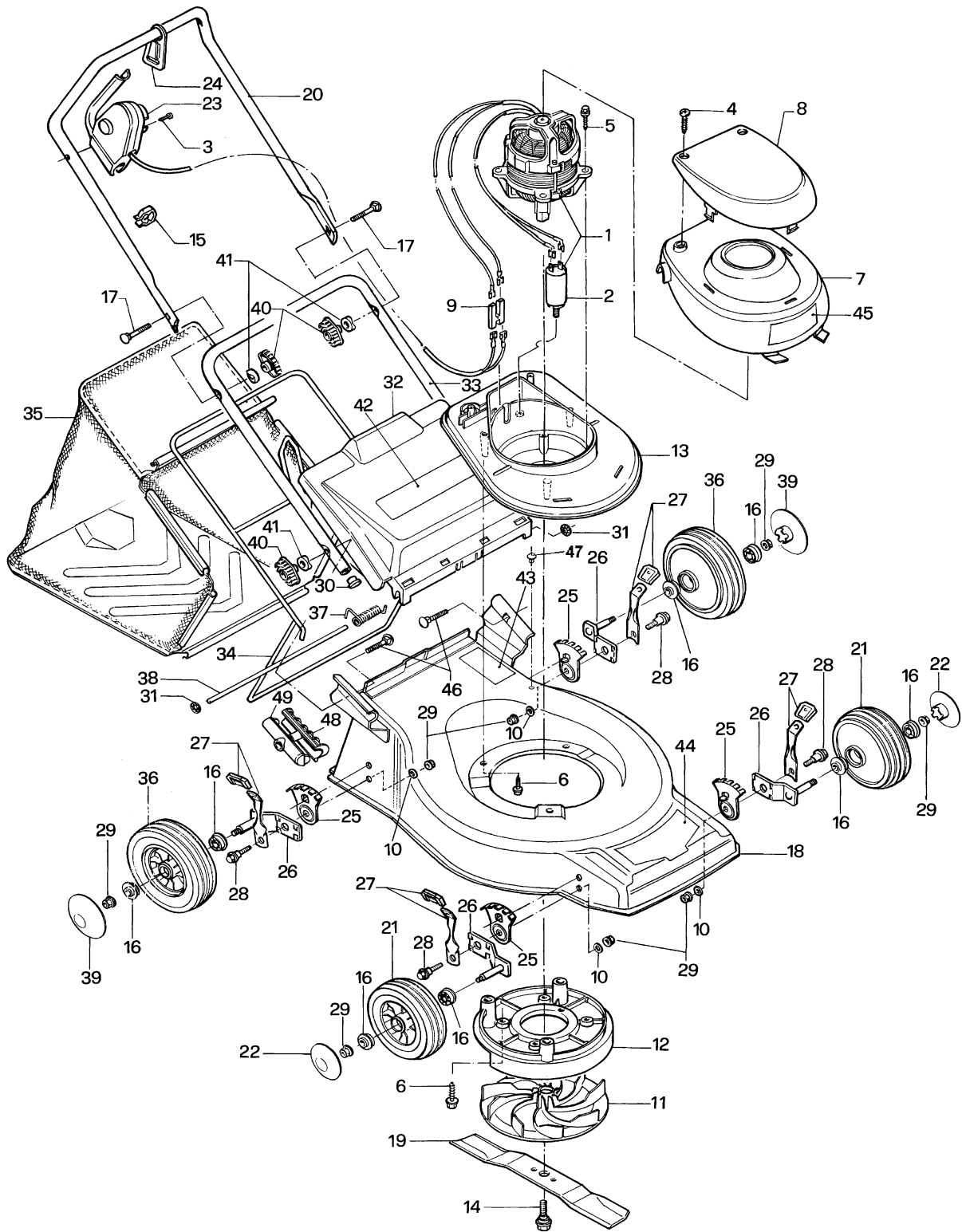
POS.	CODICE	I	F	D	GB	E	Q.tà
1	CP026332	VITE AUTOF.	VIS	SCHRAUBE	SCREW	TORNILLO	1
2	CP030830	VITE TE	VIS	SCHRAUBE	SCREW	TORNILLO	3
3	CP032813	RONDELLA	RONDELLE	SCHEIBE	WASHER	ARANDELA	4
3	CP032913	RONDELLA	RONDELLE	SCHEIBE	WASHER	ARANDELA	4 X RUOTE CP047118.98-CP053118.98
4	CP032916	RONDELLA	RONDELLE	SCHEIBE	WASHER	ARANDELA	1
5	CP034615	RIVETTO	RIVET	NIET	RIVET	CLAVO	4
6	CP037406	CHIAVETTA	CLAVETTE	SCHLÜSSELCHEN	WOODRUFF KEY	CHAVETA	1
7	CP038227	CUSCINETTO 12X27	ROULEMENT	KUGELLAGER	BALL BEARING	COJINETE	8
7	CP038228	CUSCINETTO	ROULEMENT	KUGELLAGER	BALL BEARING	COJINETE	8 X RUOTE CP047118.98-CP053118.98
8	CP060630	VITE TC	VIS	SCHRAUBE	SCREW	TORNILLO	1
9	CP040850	VITE TTQST	VIS	SCHRAUBE	SCREW	TORNILLO	2
10	CP040875	VITE TTQST	VIS	SCHRAUBE	SCREW	TORNILLO	2
11	CP046001.90	CHASSIS INOX	CARTER	GEHÄUSE	DECK	CHASIS	1
12	CP047013	LAMA	LAME	MESSER	BLADE	CUCHILLA	1
13	CP047048	ASSALE ANT	AXE AVANT	VORDERACHSE	FRONT AXLE	EJE ANTERIOR	1
14	CP047053	ASSALE POS	AXE ARRIERE	HINTERACHSE	REAR AXLE	EJE POSTERIOR	1
15	CP047063	TIRANTE ASSALE	BARRE	GESTÄNGE	LINK ROD	TIRANTE EJE	1
16	CP050108	RUOTA 180	ROUE	RAD	WHEEL	RUEDA	2 (fino a / till 12/2005)
16	CP047118.98	RUOTA 180 PH ZINCATA	ROUE ACIER	VERZINKTES RAD	ZINC WHEEL	RUEDA ZINC	2 (da / from 01/2006)
17	CP050127.23	COPRIRUOTA 180	CACHE MOYEU	RADDECKUNG	HUB CAP	TAPA RUEDA	2 (da/from 04/2004 a/to 12/2005)
17	CP050128.23	COPRIRUOTA 180	CACHE MOYEU	RADDECKUNG	HUB CAP	TAPA RUEDA	2 (fino a / till 04/2004)
17	CP047133	COPRIRUOTA	CACHE MOYEU	RADDECKUNG	HUB CAP	TAPA RUEDA	2 (da / from 01/2006)
18	CP042216	BLOCCETTO CAVO FREIN	ATTACHE CABLE FREIN	KABELBESCHWERER	CLIP	FIJADOR CABLE	1
19	CP042806	DADO	ÉCROU	MUTTER	KNOB	ESPARRAGO	2
20	CP042808	DADO	ÉCROU	MUTTER	KNOB	ESPARRAGO	7
21	CP045713	TAPPO	COUVERCLE	KAPPE	CAP	TAPA	1
22	CP045722	TAPPO	COUVERCLE	KAPPE	CAP	TAPA	4
24	CP045918	MOLLA A TAZZA	RONDELLE	SCHEIBE	WASHER	MUELLE	1
25	CP046606	RITEGNO	CLIP	RÜCKHALT	RETAINER	ANILLO CLIP	1
26	CP046607	RITEGNO	CLIP	RÜCKHALT	RETAINER	ANILLO CLIP	3
27	CP046608	RITEGNO	CLIP	RÜCKHALT	RETAINER	ANILLO CLIP	1
28	CP047018.23	PARASASSI ARGENTO	DEFLECTEUR	DEFLEKTOR	REAR DOOR	DEFLECTÖR	1
30	CP047034	MANICO INF.	GUIDON	STIEL	HANDLE	MANILLAR	1
33	CP047078	TELAIO CESTO	ATTELAGE	GRASFANGRAHMEN	FRAME	ARMAZON SACO	1
34	CP047083	TELA CESTO BIANCA	SAC RAMASSEUR	GRASFANGSACK	GRASS BAG	SACO TELA	1
35	?-TAB-FR	CAVO FRENO	CABLE FREIN	KABEL	CABLE	CABLE	1
36	CP047191	MOLLA	RESSORT	FEDER	SPRING	MUELLE	1
37	CP047192	MOLLA	RESSORT	FEDER	SPRING	MUELLE	1
38	CP050192	MOLLA PARASASSI	RESSORT	FEDER	SPRING	MUELLE	1
39	CP047203	ASTINA	AXE PIVOT	STANGE	HINGE PIN	EJE DEFLECTÖR	1
40	CP047212	SUPPORTO ASSALE	SUPPORT	ACHSELAGER	SUPPORT	SOPORTE	1
41	CP047213	SUPPORTO ASSALE	SUPPORT	ACHSELAGER	SUPPORT	SOPORTE	1
42	CP047214	SUPPORTO ASSALE	SUPPORT	ACHSELAGER	SUPPORT	SOPORTE	2
44	CP047236	CAPPUCCIO	CACHE MOYEU	KAPPE	HOOD	POMO	1
45	CP047242	GANCIO FUNE AVV.	PORTE CABLE	KABELHALTER	CABLE SUPPORT	FIJADOR CABLE	1
46	CP050224	LEVA DI COMANDO	LEVIER	STANGE	LEVER	LEVA	1
47	CP047255	LEVA ALZO	LEVIER	STANGE	LEVER	LEVA ALTURAS	1
48	CP047267	PERNO	GOUJON	ZAPFEN	PIN	PERNO	1
49	CP050043	MANICO SUP.	GUIDON	STIEL	HANDLE	MANILLAR	1
50	CP050071	LEVA FRENO	LEVIER FREIN	STANGE	LEVER	LEVA	1
51	CP050112	RUOTA 200	ROUE	RAD	WHEEL	RUEDA	2 (fino a / till 12/2005)
51	CP053118.98	RUOTA 209 PH ZINCATA	ROUE ACIER	VERZINKTES RAD	ZINC WHEEL	RUEDA ZINC	2 (da / from 01/2006)
52	CP050132.23	COPRIRUOTA 200-230	CACHE MOYEU	RADDECKUNG	HUB CAP	TAPA RUEDA	2 (da/from 04/2004 a/to 12/2005)
52	CP050130.23	COPRIRUOTA 200	CACHE MOYEU	RADDECKUNG	HUB CAP	TAPA RUEDA	2 (fino a / till 04/2004)
52	CP047133	COPRIRUOTA	CACHE MOYEU	RADDECKUNG	HUB CAP	TAPA RUEDA	2 (da / from 01/2006)
53	CP050212	REGOLATORE MANICO	REGLAGE DE GUIDON	STIELREGULATOR	HANDLE REGULATOR	REGULADOR MANILL	4
54	CP050222	FERMACAVO	ATTACHE CABLE	KABELBESCHWERER	CLIP	FIJADOR CABLE	2
55	CP050228	POMOLO MANICO	ÉCROU	GRIFF	KNOB HANDLE	POMO MANILLAR	4
56	CP050230	RONDELLA	RONDELLE	SCHEIBE	WASHER	ARANDELA	4
58	CP053250	RONDELLA	RONDELLE	SCHEIBE	WASHER	ARANDELA	1
60	CP050964	VITE LAMA	VIS	SCHRAUBE	SCREW	TORNILLO	1
61	CP053273	MOZZO LAMA 22	PORTE LAME	MESSERHALTER	BLADE ADAPTOR	PORTA CUCHILLA	1
62	CP053911	DECALCO	DECALQUE	ETIKETTE	DECAL	CARTEL	1
63	CP053710	DECALCO	DECALQUE	ETIKETTE	DECAL	CARTEL	1
65	CP053715	DECALCO	DECALQUE	ETIKETTE	DECAL	CARTEL	1
68	CP053802	DECALCO	DECALQUE	ETIKETTE	DECAL	CARTEL	1
69	CP053806	DECALCO	DECALQUE	ETIKETTE	DECAL	CARTEL	1
70	CP053813	DECALCO	DECALQUE	ETIKETTE	DECAL	CARTEL	1
71	CP053908	DECALCO MARINOX	DECALQUE	ETIKETTE	DECAL	CARTEL	1
72	?-TAB-AC	CAVO ACCELERATORE	CABLE GAZ	KABEL	CABLE	CABLE	1
73	CP050225.23	PLANCIA ARGENTO	TABLEAU DE BORD	ARMATURENBRETT	DASH-BOARD	PLACA DEL MANILLA	1
74	CP060640	VITE TC	VIS	SCHRAUBE	SCREW	TORNILLO	2
75	CP053842	DECALCO	DECALQUE	ETIKETTE	DECAL	CARTEL	1
78	CP032907	RONDELLA	RONDELLE	SCHEIBE	WASHER	ARANDELA	2
79	CP044906	DADO	ÉCROU	MUTTER	KNOB	ESPARRAGO	1
80	CP053238	RONDELLA	RONDELLE	SCHEIBE	WASHER	ARANDELA	1
81	CP047023	COPRICESTO NERO	COUVERCLE	GRASFANFSACKDECKL	BAG COVER	CARCASA	1
82	CP046225	IMPUGNATURA	COUVERCLE	SCHUTZ	COVER	TAPA	1
83	CP052225	INNESTO RAPIDO	RACCORD DE L'EAU	SPUELDUESE	WATER CONNECTOR	ENLACE	1

MX 46 S

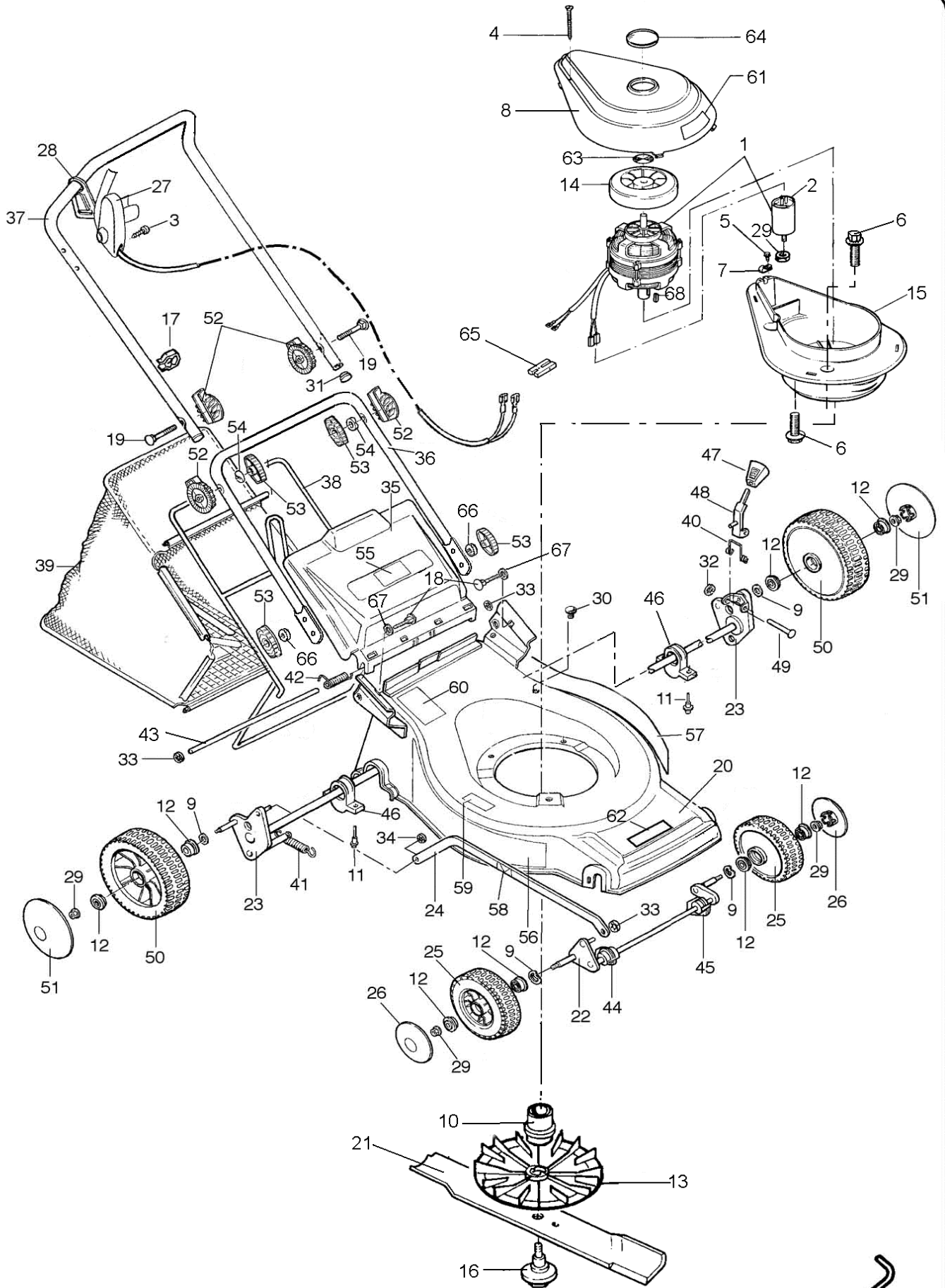


POS.	CODICE	I	F	D	GB	E	Q.tà
1	CP060640	VITE TC	VIS	SCHRAUBE	SCREW	TORNILLO	2
2	CP030825	VITE TE	VIS	SCHRAUBE	SCREW	TORNILLO	1
3	CP030845	VITE TE	VIS	SCHRAUBE	SCREW	TORNILLO	2
4	CP032813	RONDELLA	RONDELLE	SCHEIBE	WASHER	ARANDELA	2
4	CP032913	RONDELLA	RONDELLE	SCHEIBE	WASHER	ARANDELA	4 X RUOTE CP047118.98 - CP053128.98
5	CP032908	RONDELLA	RONDELLE	SCHEIBE	WASHER	ARANDELA	5
6	CP032913	RONDELLA	RONDELLE	SCHEIBE	WASHER	ARANDELA	2
7	CP034615	RIVETTO	RIVET	NIET	RIVET	CLAVO	4
8	CP044906	DADO	ÉCROU	MUTTER	KNOB	ESPARRAGO	2
9	CP035905	RASAMENTO	RONDELLE	SCHEIBE	WASHER	ARANDELA	2
10	CP037305	CHIAVETTA	CLAVETTE	SCHLÜSSELCHEN	WOODRUFF KEY	CHAVETA	2
11	CP037406	CHIAVETTA	CLAVETTE	SCHLÜSSELCHEN	WOODRUFF KEY	CHAVETA	1 (fino a/till 05/2003)
12	CP038226	CUSCINETTO 12X26	ROULEMENT	KUGELLAGER	BALL BEARING	COJINETE	4
12	CP038228	CUSCINETTO	ROULEMENT	KUGELLAGER	BALL BEARING	COJINETE	4 X RUOTE CP047118.98
13	CP038227	CUSCINETTO 12X27	ROULEMENT	KUGELLAGER	BALL BEARING	COJINETE	4
13	CP038228	CUSCINETTO	ROULEMENT	KUGELLAGER	BALL BEARING	COJINETE	4 X RUOTE CP053128.98
14	CP038228	CUSCINETTO	ROULEMENT	KUGELLAGER	BALL BEARING	COJINETE	2
15	CP040630	VITE TTQST	VIS	SCHRAUBE	SCREW	TORNILLO	1
16	CP040850	VITE TTQST	VIS	SCHRAUBE	SCREW	TORNILLO	2
17	CP040875	VITE TTQST	VIS	SCHRAUBE	SCREW	TORNILLO	2
18	CP042806	DADO	ÉCROU	MUTTER	KNOB	ESPARRAGO	3
19	CP042808	DADO	ÉCROU	MUTTER	KNOB	ESPARRAGO	9
20	CP044708	DADO	ÉCROU	MUTTER	KNOB	ESPARRAGO	3
21	CP045530	SPINA	GOUPILLE	DORN	PIN	PASADOR	1
22	CP045722	TAPPO	COUVERCLE	KAPPE	CAP	TAPA	4
25	CP046606	RITEGNO	CLIP	RÜCKHALT	RETAINER	ANILLO CLIP	1
26	CP046607	RITEGNO	CLIP	RÜCKHALT	RETAINER	ANILLO CLIP	3
27	CP046812	SEEGER	SEEGER	RÜCKHALT	RETAINER	ANILLO CLIP	4
28	CP046001.90	CHASSIS INOX	CARTER	GEHÄUSE	DECK	CHASIS	1
29	CP047013	LAMA	LAME	MESSER	BLADE	CUCHILLA	1
30	CP047018.23	PARASASSI ARGENTO	DEFLECTEUR	DEFLEKTOR	REAR DOOR	DEFLECTÓR	1
32	CP047048	ASSALE ANT	AXE AVANT	VORDERACHSE	FRONT AXLE	EJE ANTERIOR	1
33	CP047058	ASSALE POS	AXE ARRIERE	HINTERACHSE	REAR AXLE	EJE POSTERIOR	1
34	CP047063	TIRANTE ASSALE	BARRE	GESTÄNGE	LINK ROD	TIRANTE EJE	1
35	CP047078	TELAIO CESTO	ATTELAGE	GRASFANGRAHMEN	FRAME	ARMAZON SACO	1
36	CP047083	TELA CESTO BIANCA	SAC RAMASSEUR	GRASFANGSACK	GRASS BAG	SACO TELA	1
37	CP047088	RIDUTTORE TR 47	REDUCTEUR	UNTERSZTUNGGETR	GEAR BOX ASSY	TRANSMISION	1
38	CP047096	COPRICINGHIA	COUVERCLE COURRO	RIEMENSCHUTZ	BELT COVER	TAPA	1
39	?-TAB-FR	CAVO FRENO	CABLE FREIN	KABEL	CABLE	CABLE	1
40	CP047191	MOLLA	RESSORT	FEDER	SPRING	MUELLE	1
41	CP047192	MOLLA	RESSORT	FEDER	SPRING	MUELLE	1
42	CP050192	MOLLA PARASASSI	RESSORT	FEDER	SPRING	MUELLE	1
43	CP047203	ASTINA	AXE PIVOT	STANGE	HINGE PIN	EJE DEFLECTÓR	1
44	CP047212	SUPPORTO ASSALE	SUPPORT	ACHSELAGER	SUPPORT	SOPORTE	1
45	CP047213	SUPPORTO ASSALE	SUPPORT	ACHSELAGER	SUPPORT	SOPORTE	1
46	CP047215	SUPPORTO ASSALE	SUPPORT	ACHSELAGER	SUPPORT	SOPORTE	2
47	CP047217	PASSACAVO	JOINTE	RING	RING	ANILLO	1
48	CP047236	CAPPUCCIO	CACHE MOYEU	KAPPE	HOOD	POMO	1
49	CP050224	LEVA DI COMANDO	LEVIER	STANGE	LEVER	LEVA	1
50	CP047255	LEVA ALZO	LEVIER	STANGE	LEVER	LEVA ALTURAS	1
51	CP047267	PERNO	GOUJON	ZAPPEN	PIN	PERNO	1
53	CP047827	CINGHIA Z 27 1/2	COURROIE	RIEMEN	BELT	CORREA	1
54	CP050043	MANICO SUP.	GUIDON	STIEL	HANDLE	MANILLAR	1
55	CP050068	LEVA INNESTO	LEVIER EMBRAYAGE	STANGE	LEVER CLUTCH	LEVA	1
56	CP050073	LEVA FRENO	LEVIER FREIN	STANGE	LEVER	LEVA	1
57	CP050108	RUOTA 180	ROUE	RAD	WHEEL	RUEDA	2 (fino a / till 04/2004)
57	CP047118.98	RUOTA 180 PH ZINCATO	ROUE ACIER	VERZINKTES RAD	ZINC WHEEL	RUEDA ZINC	2 (da / from 01/2006)
58	CP050118	RUOTA 200	ROUE	RAD	WHEEL	RUEDA	2 (fino a / till 04/2004)
58	CP053128.98	RUOTA 209T PH ZINCATO	ROUE ACIER	VERZINKTES RAD	ZINC WHEEL	RUEDA ZINC	2 (da / from 01/2006)
59	CP050127.23	COPRIRUOTA 180	CACHE MOYEU	RADDECKUNG	HUB CAP	TAPA RUEDA	2 (from 04/2004 to 12/2005)
59	CP050128.23	COPRIRUOTA 180	CACHE MOYEU	RADDECKUNG	HUB CAP	TAPA RUEDA	2 (fino a / till 04/2004)
59	CP047133	COPRIRUOTA	CACHE MOYEU	RADDECKUNG	HUB CAP	TAPA RUEDA	2 (da / from 01/2006)
60	CP050132.23	COPRIRUOTA 200-230	CACHE MOYEU	RADDECKUNG	HUB CAP	TAPA RUEDA	2 (from 04/2004 to 12/2005)
60	CP050133.23	COPRIRUOTA 200-230	CACHE MOYEU	RADDECKUNG	HUB CAP	TAPA RUEDA	2 (fino a / till 04/2004)
60	CP047133	COPRIRUOTA	CACHE MOYEU	RADDECKUNG	HUB CAP	TAPA RUEDA	2 (da / from 01/2006)
61	CP050139	CAVO SEMOVENZA	CABLE D'EMBRAYAGE	SELBSTBEWEGLICHK	CABLE CLUTCH	CABLE TRACCION	1
62	CP050191	MOLLA	RESSORT	FEDER	SPRING	MUELLE	1
63	CP050194	MOLLA	RESSORT	FEDER	SPRING	MUELLE	2
64	CP050212	REGOLATORE MANICO	REGLAGE DE GUIDON	STIELREGULATOR	HANDLE REGULATOR	REGULADOR MANILLA	4
65	CP050214	COPRIRUOTA INTERNO	CACHE MOYEU	RADDECKUNG	HUB CAP	TAPA RUEDA	2
66	CP050222	FERMACAVO	ATTACHE CABLE	KABELBESCHWERER	CLIP	FIJADOR CABLE	2
67	CP050228	POMOLO MANICO	ÉCROU	GRIFF	KNOB HANDLE	POMO MANILLAR	4
68	CP050230	RONDELLA	RONDELLE	SCHEIBE	WASHER	ARANDELA	6
69	CP050234	RONDELLA	RONDELLE	SCHEIBE	WASHER	ARANDELA	2
70	CP050238	RONDELLA	RONDELLE	SCHEIBE	WASHER	ARANDELA	4
71	CP050240	PULEGGIA D.55	POULIE	RIEMENSCHLEIBE	PULLEY	POLEA	1
72	CP050243	STAFFETTA REGISTRO	EQUARRE	WINKELMASS	BRACKET	ABRAZADERA CABLE	1
74	CP050298	INGRANAGGIO	PIGNON	GETRIEBE	PINION	ENGRANAJE	2
75	CP050964	VITE LAMA	VIS	SCHRAUBE	SCREW	TORNILLO	1
76	CP053715	DECALCO	DECALQUE	ETIKETTE	DECAL	CARTEL	1
80	CP053813	DECALCO	DECALQUE	ETIKETTE	DECAL	CARTEL	1

SP 47 E

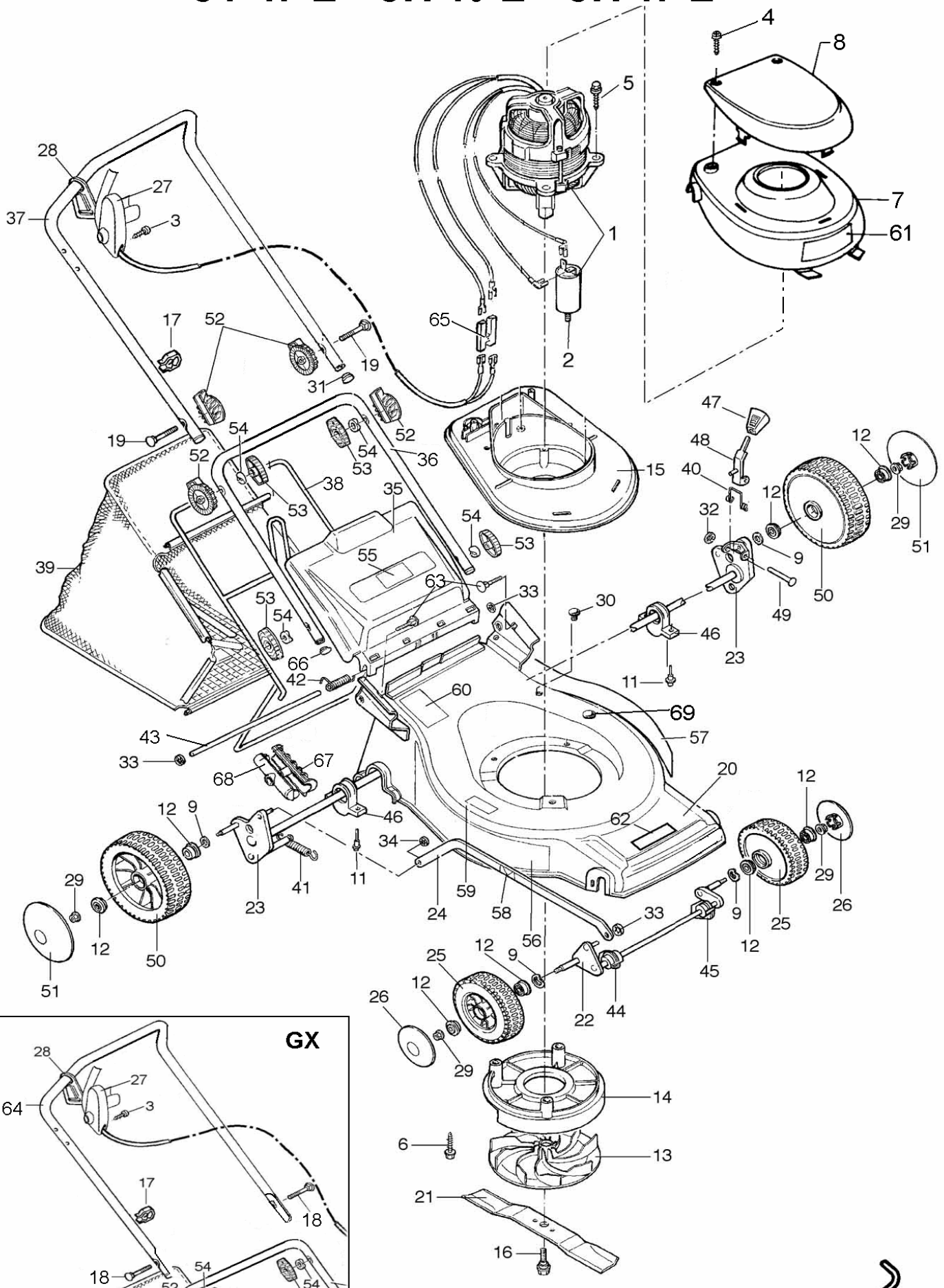


GT 47 E (Old < 1996)



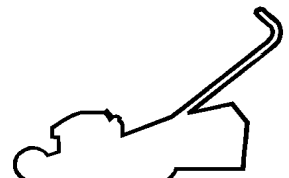
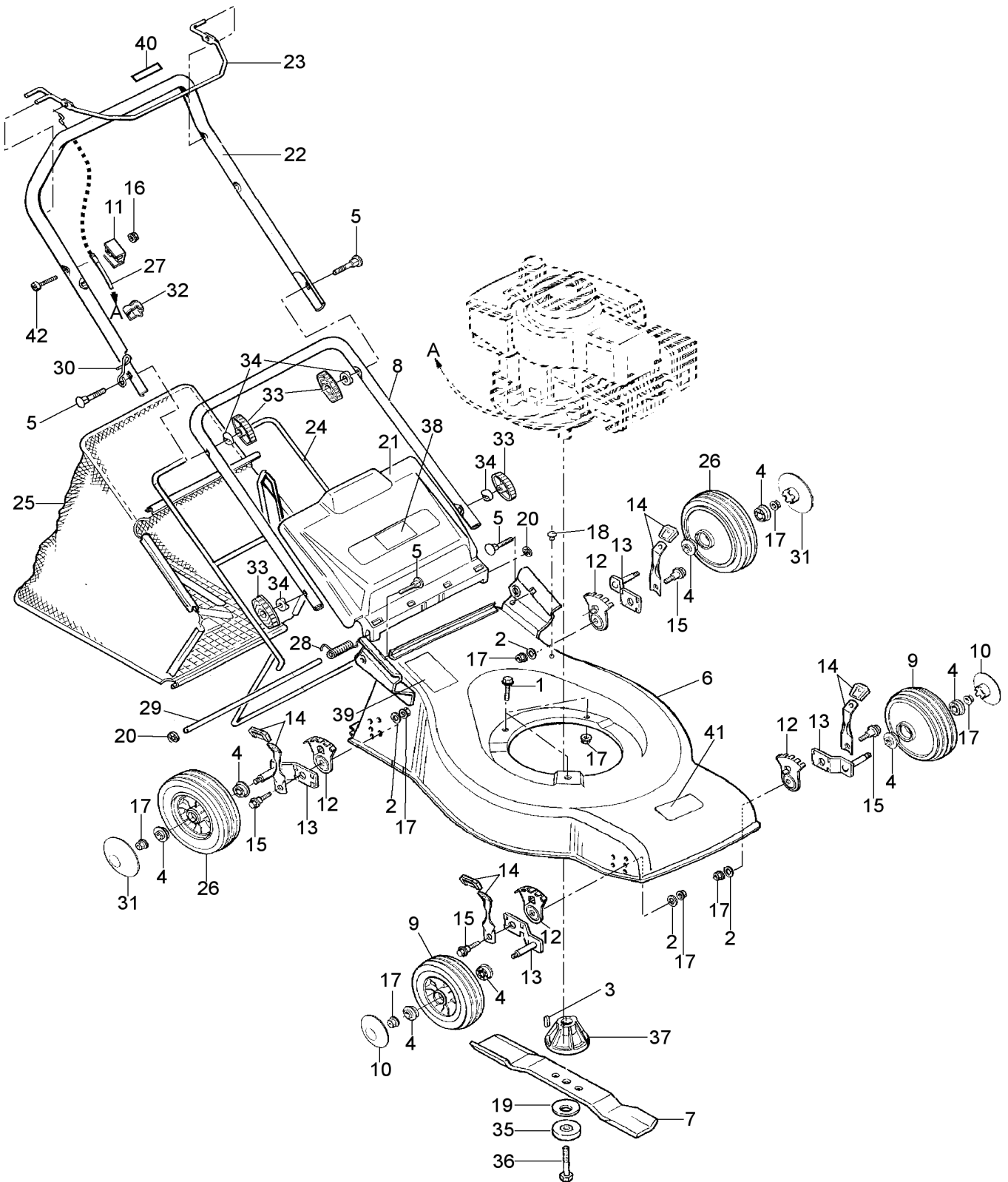
POS.	CODICE	I	F	D	GB	E	QTA'
1	CP017162F	MOTORE EL. 1600 W	MOTEUR	MOTOR	ENGINE	MOTOR	1
2	CP019820	CONDENSATORE 20 MF	CONDENSATEUR	KONDENSATOR	CONDENSER	CONDENSADOR	1
3	CP023925	VITE AUTOF.	VIS	SCHRAUBE	SCREW	TORNILLO	2
4	CP023916	VITE AUTOF.	VIS	SCHRAUBE	SCREW	TORNILLO	2
5	CP025216	VITE AUTOF.	VIS	SCHRAUBE	SCREW	TORNILLO	1
6	CP030816	VITE TE	VIS	SCHRAUBE	SCREW	TORNILLO	6
7	CP042215	FERMACAVO	ATTACHE CABLE	KABELBESCHWERER	CLIP	FIJADOR CABLE	1
8	CP042103	CUPOLINA BIANCA	CALOTTE	VERKLEIDUNG	COVER	CARCASA	1
9	CP032813	RONDELLA	RONDELLE	SCHEIIBE	WASHER	ARANDELA	4
10	CP042206	MOZZO LAMA	PORTE LAME	MESSERHALTER	BLADE ADAPTOR	PORTA CUCHILLA	1
11	CP034615	RIVETTO	RIVET	NIET	RIVET	CLAVO	4
12	CP038227	CUSCINETTO 12X27	ROULEMENT	KUGELLAGER	BALL BEARING	COJINETE	8
13	CP042158	VENTOLA	VENTILATEUR	LAUFRAD	FAN	VENTILADOR	1
14	CP042156	VENTOLA	VENTILATEUR	LAUFRAD	FAN	VENTILADOR	1
15	CP042175	BASE MOTORE	PORTE MOTEUR	MOTORGEHÄUSE	MOTOR BOX	BASE MOTOR	1
16	CP042209	VITE LAMA	VIS	SCHRAUBE	SCREW	TORNILLO	1
17	CP050222	FERMACAVO	ATTACHE CABLE	KABELBESCHWERER	CLIP	FIJADOR CABLE	1
18	CP040835	VITE TTQST	VIS	SCHRAUBE	SCREW	TORNILLO	2
19	CP040875	VITE TTQST	VIS	SCHRAUBE	SCREW	TORNILLO	2
20	CP047001	CHASSIS VERDE	CARTER	GEHÄUSE	DECK	CHASIS	1
21	CP047011	LAMA	LAME	MESSER	BLADE	CUCHILLA	1
22	CP047048	ASSALE ANT	AXE AVANT	VORDERACHSE	FRONT AXLE	EJE ANTERIOR	1
23	CP047053	ASSALE POS	AXE ARRIERE	HINTERACHSE	REAR AXLE	EJE POSTERIOR	1
24	CP047063	TIRANTE ASSALE	BARRE	GESTÄNGE	LINK ROD	TIRANTE EJE	1
25	CP050108	RUOTA 180	ROUE	RAD	WHEEL	RUEDA	2
26	CP050128	COPRIRUOTA 180	CACHE MOYEU	RADDECKUNG	HUB CAP	TAPA RUEDA	2
27	CP042185	INTERRUTTORE	INTERRUPTEUR	SCHALTER D-I-F-A-B-NU	SWITCH	INTERRUPTOR	1
28	CP042222	SUPPORTO CAVO	PORTE CABLE	KABELHALTER	CABLE SUPPORT	FIJADOR CABLE	1
29	CP042808	DADO	ÉCROU	MUTTER	KNOB	ESPARRAGO	5
30	CP045713	TAPPO	COUVERCLE	KAPPE	CAP	TAPA	1
31	CP045720	TAPPO	COUVERCLE	KAPPE	CAP	TAPA	2
32	CP046606	RITEGNO	CLIP	RÜCKHALT	RETAINER	ANILLO CLIP	1
33	CP046607	RITEGNO	CLIP	RÜCKHALT	RETAINER	ANILLO CLIP	3
34	CP046608	RITEGNO	CLIP	RÜCKHALT	RETAINER	ANILLO CLIP	1
35	CP047018	PARASASSI	DEFLECTEUR	REFLEKTOR	REAR DOOR	DEFLETOR	1
36	CP047033	MANICO INF.	GUIDON	STIEL	HANDLE	MANILLAR	1
37	CP047038	MANICO SUP.	GUIDON	STIEL	HANDLE	MANILLAR	1
38	CP047078	TELAIO CESTO	ATTELAGE	GRASFANGRAHMEN	FRAME	ARMAZON SACO	1
39	CP047083	TELA CESTO BIANCA	SAC RAMASSEUR	GRASFANGSACK	GRASS BAG	SACO TELA	1
40	CP047191	MOLLA	RESSORT	FEDER	SPRING	MUELLE	1
41	CP047192	MOLLA	RESSORT	FEDER	SPRING	MUELLE	1
42	CP050192	MOLLA PARASASSI	RESSORT	FEDER	SPRING	MUELLE	1
43	CP047203	ASTINA	AXE PIVOT	STANGE	HINGE PIN	EJE DEFLECTOR	1
44	CP047212	SUPPORTO ASSALE	SUPPORT	ACHSELAGER	SUPPORT	SOPORTE	1
45	CP047213	SUPPORTO ASSALE	SUPPORT	ACHSELAGER	SUPPORT	SOPORTE	1
46	CP047214	SUPPORTO ASSALE	SUPPORT	ACHSELAGER	SUPPORT	SOPORTE	2
47	CP047236	CAPPUCCIO	CACHE MOYEU	KAPPE	HOOD	POMO	1
48	CP047255	LEVA ALZO	LEVIER	STANGE	LEVER	LEVA ALTURAS	1
49	CP047267	PERNO	GOUJON	ZAPFEN	PIN	PERNO	1
50	CP050112	RUOTA 200	ROUE	RAD	WHEEL	RUEDA	2
51	CP050130	COPRIRUOTA 200	CACHE MOYEU	RADDECKUNG	HUB CAP	TAPA RUEDA	2
52	CP050212	REGOLATORE MANICO	REGLAGE DE GUIDON	STIELREGULATOR	HANDLE REGULATOR	REGULADOR MANILLAR	4
53	CP050228	POMOLO MANICO	ÉCROU	GRIFF	KNOB HANDLE	POMO MANILLAR	4
54	CP050230	RONDELLA	RONDELLE	SCHEIIBE	WASHER	ARANDELA	2
55	CP053714	DECALCO	DECALQUE	ETIKETTE	DECAL	CARTEL	1
56	CP053724	DECALCO	DECALQUE	ETIKETTE	DECAL	CARTEL	1
57	CP053725	DECALCO	DECALQUE	ETIKETTE	DECAL	CARTEL	1
58	CP053802	DECALCO	DECALQUE	ETIKETTE	DECAL	CARTEL	1
59	CP053806	DECALCO	DECALQUE	ETIKETTE	DECAL	CARTEL	1
60	CP053813	DECALCO	DECALQUE	ETIKETTE	DECAL	CARTEL	1
61	CP053896	DECALCO	DECALQUE	ETIKETTE	DECAL	CARTEL	1
62	CP053860	DECALCO	DECALQUE	ETIKETTE	DECAL	CARTEL	1
63	CP053844	DECALCO	DECALQUE	ETIKETTE	DECAL	CARTEL	1
64	CP042214	TAPPO	COUVERCLE	KAPPE	CAP	TAPA	1
65	CP019910	MORSETTO	ATTACHE CABLE	KABELBESCHWERER	CLIP	FIJADOR CABLE	1
66	CP050233	RONDELLA	RONDELLE	SCHEIIBE	WASHER	ARANDELA	2
67	CP032913	RONDELLA	RONDELLE	SCHEIIBE	WASHER	ARANDELA	2
68	CP037304	CHIAVETTA	CLAVETTE	SCHLÜSSELCHEN	WOODRUFF KEY	CHAVETA	1

GT 47 E - GX 46 E - GX 47 E

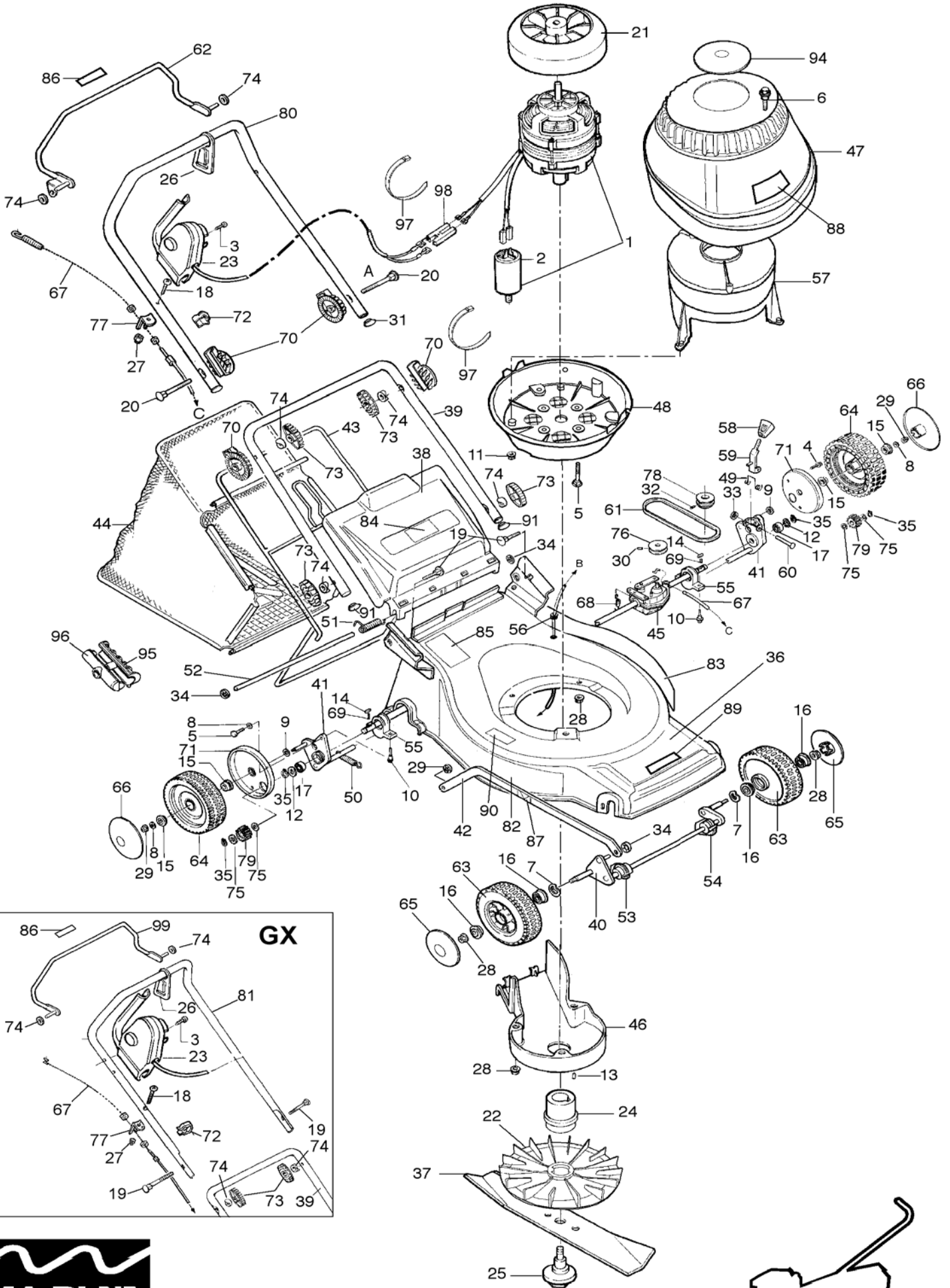


POS.	CODICE	I	F	D	GB	E	GT 47	GX 46	GX 47
1	CP017160F	MOTORE EL. 1600 W	MOTEUR	MOTOR	ENGINE	MOTOR	1	1	1
2	CP019820	CONDENSATORE 20 M	CONDENSATEUR	KONDENSATOR	CONDENSER	CONDENSADOR	1	1	1
3	CP023925	VITE AUTOF.	VIS	SCHRAUBE	SCREW	TORNILLO	2	2	2
4	CP025030	VITE AUTOF.	VIS	SCHRAUBE	SCREW	TORNILLO	2	2	2
5	CP026030	VITE AUTOF.	VIS	SCHRAUBE	SCREW	TORNILLO	4	4	4
6	CP026322	VITE AUTOF.	VIS	SCHRAUBE	SCREW	TORNILLO	3	3	3
7	CP032102	CUPOLINA INF. BIANC	CALOTTE	VERKLEIDUNG	COVER	CARCASA	1	1	1
8	CP032103	CUPOLINA SUP. VERD	CALOTTE	VERKLEIDUNG	COVER	CARCASA	1		
8	CP032103.02	CUPOLINA SUP. ROSS	CALOTTE	VERKLEIDUNG	COVER	CARCASA RAL 3000		1	1
9	CP032813	RONDELLA	RONDELLE	SCHIBE	WASHER	ARANDELA	4	4	4
11	CP034615	RIVETTO	RIVET	NIET	RIVET	CLAVO	4	4	4
12	CP038227	CUSCINETTO 12X27	ROULEMENT	KUGELLAGER	BALL BEARING	COJINETE	8	8	8
13	CP040158	VENTOLA	VENTILATEUR	LAUFRAD	FAN	VENTILADOR	1	1	1
14	CP040174	CONVOGLIATORE	CALOTTE	LAUFRADGEHÄUSE	FAN BOX	CARCASA	1	1	1
15	CP040175	BASE MOTORE	PORTE MOTEUR	MOTORGEHÄUSE	MOTOR BOX	BASE MOTOR	1	1	1
16	CP040209	VITE LAMA	VIS	SCHRAUBE	SCREW	TORNILLO	1	1	1
17	CP050222	FERMACAPO	ATTACHE CABLE	KABELBESCHWERER	CLIP	FIJADOR CABLE	1	1	1
18	CP040850	VITE TTQST	VIS	SCHRAUBE	SCREW	TORNILLO		2	2
19	CP040875	VITE TTQST	VIS	SCHRAUBE	SCREW	TORNILLO	2		
20	CP046001.02	CHASSIS ROSSO	CARTER	GEHÄUSE	DECK	CHASIS		1	
20	CP047001	CHASSIS VERDE	CARTER	GEHÄUSE	DECK	CHASIS	1		
20	CP047001.02	CHASSIS ROSSO	CARTER	GEHÄUSE	DECK	CHASIS			1
21	CP047010	LAMA	LAME	MESSER	BLADE	CUCHILLA	1	1	1
22	CP047048	ASSALE ANT	AXE AVANT	VORDERACHSE	FRONT AXLE	EJE ANTERIOR	1	1	1
23	CP047053	ASSALE POS	AXE ARRIERE	HINTERACHSE	REAR AXLE	EJE POSTERIOR	1	1	1
24	CP047063	TIRANTE ASSALE	BARRE	GESTÄNGE	LINK ROD	TIRANTE EJE	1	1	1
25	CP050106	RUOTA 180	ROUE	RAD	WHEEL	RUEDA		2	2
25	CP050108	RUOTA 180	ROUE	RAD	WHEEL	RUEDA	2		
26	CP050127	COPRIRUOTA 180	CACHE MOYEU	RADDECKUNG	HUB CAP	TAPA RUEDA	2 (da/from04/2004)		
26	CP050128	COPRIRUOTA 180	CACHE MOYEU	RADDECKUNG	HUB CAP	TAPA RUEDA	2 (fino a / till 04/2004)		
27	CP042185	INTERRUTTORE D-I-A	INTERRUPTEUR	SCHALTER D-I-F-A-B-N	SWITCH	INTERRUPTOR	1	1	1
28	CP042222	SUPPORTO CAVO	PORTE CABLE	KABELHALTER	CABLE SUPPORT	FIJADOR CABLE	1	1	1
29	CP042808	DADO	ÉCROU	MUTTER	KNOB	ESPARRAGO	4	4	4
30	CP045713	TAPPO	COUVERCLE	KAPPE	CAP	TAPA	1	1	1
31	CP045720	TAPPO	COUVERCLE	KAPPE	CAP	TAPA	2	2	2
32	CP046606	RITEGNO	CLIP	RÜCKHALT	RETAINER	ANILLO CLIP	1	1	1
33	CP046607	RITEGNO	CLIP	RÜCKHALT	RETAINER	ANILLO CLIP	3	3	3
34	CP046608	RITEGNO	CLIP	RÜCKHALT	RETAINER	ANILLO CLIP	1	1	1
35	CP047018	PARASASSI	DEFLECTEUR	DEFLEKTOR	REAR DOOR	DEFLECTÓR	1	1	1
36	CP047032	MANICO INF.	GUIDON	STIEL	HANDLE	MANILLAR	1	1	1
37	CP047038	MANICO SUP.	GUIDON	STIEL	HANDLE	MANILLAR	1		
38	CP047078	TELAIO CESTO	ATTELAGE	GRASFANGRAHMEN	FRAME	ARMAZON SACO	1	1	1
39	CP047083	TELA CESTO BIANCA	SAC RAMASSEUR	GRASFANGSACK	GRASS BAG	SACO TELA	1		
39	CP047083.05	TELA CESTO NERA	SAC RAMASSEUR	GRASFANGSACK	GRASS BAG	SACO TELA		1	1
40	CP047191	MOLLA	RESSORT	FEDER	SPRING	MUELLE	1	1	1
41	CP047192	MOLLA	RESSORT	FEDER	SPRING	MUELLE	1	1	1
42	CP050192	MOLLA PARASASSI	RESSORT	FEDER	SPRING	MUELLE	1	1	1
43	CP047203	ASTINA	AXE PIVOT	STANGE	HINGE PIN	EJE DEFLECTÓR	1	1	1
44	CP047212	SUPPORTO ASSALE	SUPPORT	ACHSELAGER	SUPPORT	SOPORTE	1	1	1
45	CP047213	SUPPORTO ASSALE	SUPPORT	ACHSELAGER	SUPPORT	SOPORTE	1	1	1
46	CP047214	SUPPORTO ASSALE	SUPPORT	ACHSELAGER	SUPPORT	SOPORTE	2	2	2
47	CP047236	CAPPUCCIO	CACHE MOYEU	KAPPE	HOOD	POMO	1	1	1
48	CP047255	LEVA ALZO	LEVIER	STANGE	LEVER	LEVA ALTURAS	1	1	1
49	CP047267	PERNO	GOUJON	ZAPFEN	PIN	PERNO	1	1	1
50	CP050110	RUOTA 200	ROUE	RAD	WHEEL	RUEDA		2	2
50	CP050112	RUOTA 200	ROUE	RAD	WHEEL	RUEDA	2		
51	CP050132	COPRIRUOTA 200-230	CACHE MOYEU	RADDECKUNG	HUB CAP	TAPA RUEDA	2 (da/frpm04/2004)		
51	CP050130	COPRIRUOTA 200	CACHE MOYEU	RADDECKUNG	HUB CAP	TAPA RUEDA	2 (fino a / till 04/2004)		
52	CP050212	REGOLATORE MANICO	REGLAGE DE GUIDON	STIELREGULATOR	HANDLE REGULATOR	REGULADOR MANILLA	4		
53	CP050228	POMOLO MANICO	ÉCROU	GRIFF	KNOB HANDLE	POMO MANILLAR	4	4	4
54	CP050230	RONDELLA	RONDELLE	SCHIBE	WASHER	ARANDELA	4	4	4
55	CP053714	DECALCO	DECALQUE	ETIKETTE	DECAL	CARTEL	1	1	1
56	CP053726	DECALCO	DECALQUE	ETIKETTE	DECAL	CARTEL	1	1	1
57	CP053727	DECALCO	DECALQUE	ETIKETTE	DECAL	CARTEL	1	1	1
58	CP053802	DECALCO	DECALQUE	ETIKETTE	DECAL	CARTEL	1	1	1
59	CP053806	DECALCO	DECALQUE	ETIKETTE	DECAL	CARTEL	1	1	1
60	CP053813	DECALCO	DECALQUE	ETIKETTE	DECAL	CARTEL	1	1	1
61	CP053896	DECALCO	DECALQUE	ETIKETTE	DECAL	CARTEL	1	1	1
62	CP053860	DECALCO GREENTEA	DECALQUE	ETIKETTE	DECAL	CARTEL	1		
62	CP053861	DECALCO GALAXY	DECALQUE	ETIKETTE	DECAL	CARTEL		1	1
63	CP040860	VITE TTQST	VIS	SCHRAUBE	SCREW	TORNILLO	2	2	2
64	CP042038	MANICO SUP.	GUIDON	STIEL	HANDLE	MANILLAR		1	1
65	CP019910	MORSETTO	ATTACHE CABLE	KABELBESCHWERER	CLIP	FIJADOR CABLE	1	1	1
66	CP045722	TAPPO	COUVERCLE	KAPPE	CAP	TAPA	2	2	2
67	CP042212M	ISOLATORE 1/2 MASC	DEMI ISOLATEUR	HALF ISOLATOR	HALF INSULATOR	MITAD AISLADOR	2	2	2
68	CP042212F	ISOLATORE 1/2 FEMM	DEMI ISOLATEUR	HALF ISOLATOR	HALF INSULATOR	MITAD AISLADOR	2	2	2
69	CP045721	TAPPO	COUVERCLE	KAPPE	CAP	TAPA	1	1	1

SP 47



GT 47 SE

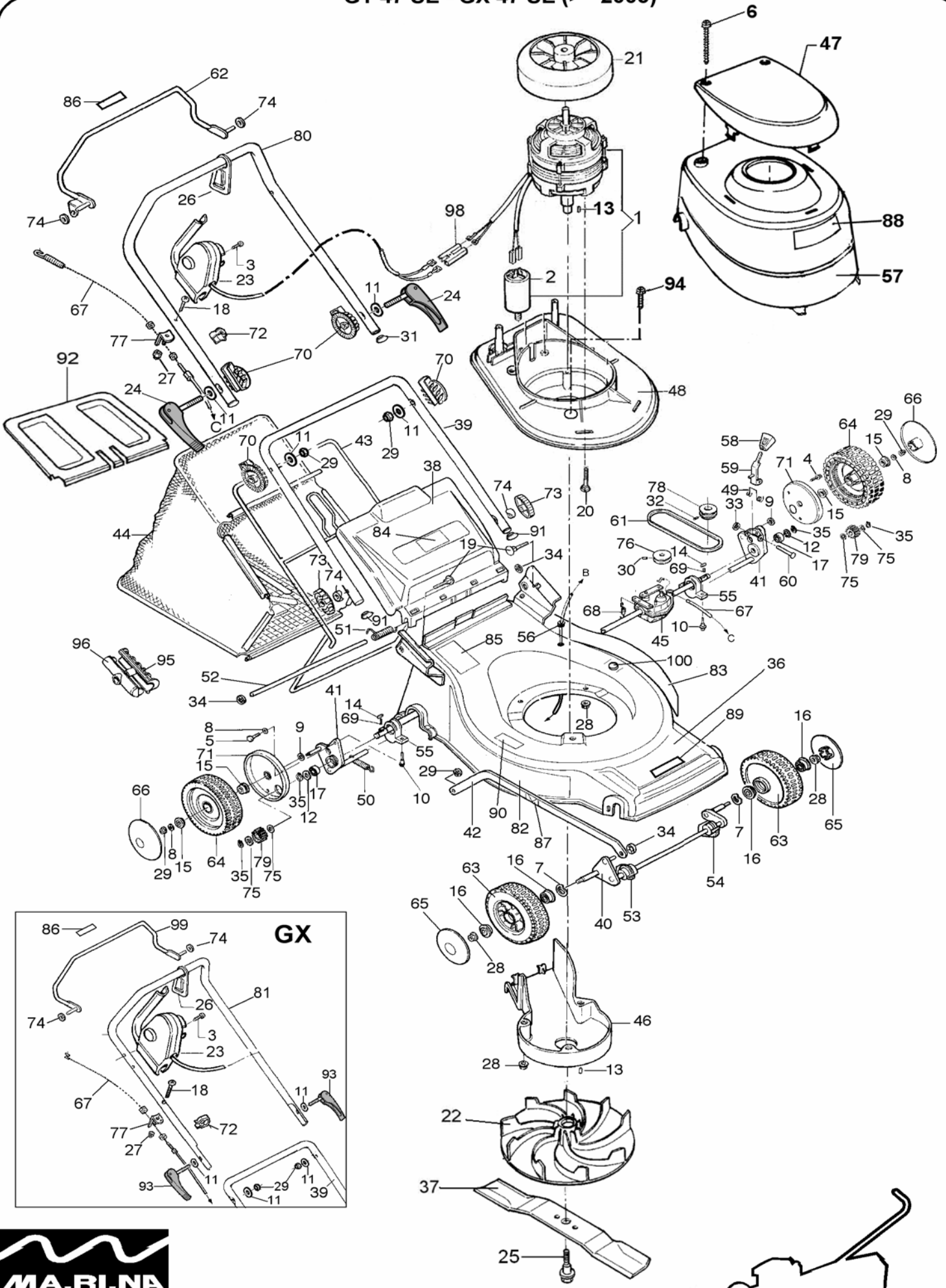


RICAMBI ORIGINALI

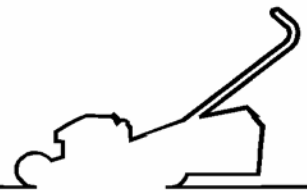


POS.	CODICE	I	F	D	GB	E	GT	GX
1	CP017165F	MOTORE EL. 1600 W AL	MOTEUR	MOTOR	ENGINE	MOTOR	1	1
1	CP017185F	MOTORE EL. 1800 W AL	MOTEUR	MOTOR	ENGINE	MOTOR	1	1
2	CP019825	CONDENSATORE 25 MF	CONDENSATEUR	KONDENSATOR	CONDENSER	CONDENSADOR	1	1
3	CP023925	VITE AUTOF.	VIS	SCHRAUBE	SCREW	TORNILLO	2	2
4	CP030816	VITE TE	VIS	SCHRAUBE	SCREW	TORNILLO	1	1
5	CP030825	VITE TE	VIS	SCHRAUBE	SCREW	TORNILLO	5	5
6	CP025020	VITE AUTOF.	VIS	SCHRAUBE	SCREW	TORNILLO	1	1
7	CP032813	RONDELLA	RONDELLE	SCHEIBE	WASHER	ARANDELA	2	2
8	CP032908	RONDELLA	RONDELLE	SCHEIBE	WASHER	ARANDELA	3	3
9	CP032913	RONDELLA	RONDELLE	SCHEIBE	WASHER	ARANDELA	2	2
10	CP034615	RIVETTO	RIVET	NIET	RIVET	CLAVO	4	4
11	CP042805	DADO	ÉCROU	MUTTER	KNOB	ESPARRAGO	3	3
12	CP035905	RASAMENTO	RONDELLE	SCHEIBE	WASHER	ARANDELA	2	2
13	CP037304	CHIAVETTA	CLAVETTE	SCHLÜSSELCHEN	WOODRUFF KEY	CHAVETA	1	1
14	CP037305	CHIAVETTA	CLAVETTE	SCHLÜSSELCHEN	WOODRUFF KEY	CHAVETA	2	2
15	CP038226	CUSCINETTO 12X26	ROULEMENT	KUGELLAGER	BALL BEARING	COJINETE	4	4
16	CP038227	CUSCINETTO 12X27	ROULEMENT	KUGELLAGER	BALL BEARING	COJINETE	4	4
17	CP038228	CUSCINETTO	ROULEMENT	KUGELLAGER	BALL BEARING	COJINETE	2	2
18	CP040635	VITE TTQST	VIS	SCHRAUBE	SCREW	TORNILLO	1	1
19	CP040850	VITE TTQST	VIS	SCHRAUBE	SCREW	TORNILLO	2	4
20	CP040875	VITE TTQST	VIS	SCHRAUBE	SCREW	TORNILLO	2	
21	CP042156	VENTOLA	VENTILATEUR	LAUFRAD	FAN	VENTILADOR	1	1
22	CP042158	VENTOLA	VENTILATEUR	LAUFRAD	FAN	VENTILADOR	1	1
23	CP042185	INTERRUTTORE	INTERRUPTEUR	SCHALTER D-I-F-A-B-NL	SWITCH	INTERRUPTOR	1	1
24	CP042206	MOZZO LAMA	PORTE LAME	MESSERHALTER	BLADE ADAPTOR	PORTA CUCHILLA	1	1
25	CP042209	VITE LAMA	VIS	SCHRAUBE	SCREW	TORNILLO	1	1
26	CP042222	SUPPORTO CAVO	PORTE CABLE	KABELHALTER	CABLE SUPPORT	FIJADOR CABLE	1	1
27	CP044906	DADO	ÉCROU	MUTTER	KNOB	ESPARRAGO	1	1
28	CP042808	DADO	ÉCROU	MUTTER	KNOB	ESPARRAGO	8	8
29	CP044708	DADO	ÉCROU	MUTTER	KNOB	ESPARRAGO	3	3
30	CP045530	SPINA	GOUPILLE	DORN	PIN	PASADOR	1	1
31	CP045720	TAPPO	COUVERCLE	KAPPE	CAP	TAPA	2	
32	CP045810	GRANO	VIS	SCHRAUBE	SCREW	TORNILLO	1	1
33	CP046606	RITEGNO	CLIP	RÜCKHALT	RETAINER	ANILLO CLIP	1	1
34	CP046607	RITEGNO	CLIP	RÜCKHALT	RETAINER	ANILLO CLIP	3	3
35	CP046812	SEGER	SEGER	RUCKHALT	RETAINER	ANILLO CLIP	4	4
36	CP047001	CHASSIS VERDE	CARTER	GEHÄUSE	DECK	CHASIS	1	
36	CP047001.02	CHASSIS ROSSO	CARTER	GEHÄUSE	DECK	CHASIS		1
37	CP047011	LAMA	LAME	MESSER	BLADE	CUCHILLA	1	1
38	CP047018	PARASASSI	DEFLECTEUR	DEFLEKTOR	REAR DOOR	DEFLECTÓR	1	1
39	CP047032	MANICO INF.	GUIDON	STIEL	HANDLE	MANILLAR	1	
40	CP047048	ASSALE ANT	AXE AVANT	VORDERACHSE	FRONT AXLE	EJE ANTERIOR	1	1
41	CP047058	ASSALE POS	AXE ARRIERE	HINTERACHSE	REAR AXLE	EJE POSTERIOR	1	1
42	CP047063	TIRANTE ASSALE	BARRE	GESTÄNGE	LINK ROD	TIRANTE EJE	1	1
43	CP047078	TELAIO CESTO	ATTELAGE	GRASFANGRAHMEN	FRAME	ARMAZON SACO	1	1
44	CP047083	TELA CESTO BIANCA	SAC RAMASSEUR	GRASFANGSACK	GRASS BAG	SACO TELA	1	
44	CP047083.05	TELA CESTO NERA	SAC RAMASSEUR	GRASFANGSACK	GRASS BAG	SACO TELA		1
45	CP047088	RIDUTTORE TR 47	REDUCTEUR	UNTERSETZUNGGETRIE	GEAR BOX ASSY	TRANSMISION	1	1
46	CP047096	COPRICINGHIA	COUVERCLE COURROIE	RIEMENSCHUTZ	BELT COVER	TAPA	1	1
47	CP047104	CUPOLINA NERA	CALOTTE	VERKLEIDUNG	COVER	CARCASA	1	1
48	CP047178	BASE MOTORE	PORTE MOTEUR	MOTORGEHÄUSE	MOTOR BOX	BASE MOTOR	1	1
49	CP047191	MOLLA	RESSORT	FEDER	SPRING	MUELLE	1	1
50	CP047192	MOLLA	RESSORT	FEDER	SPRING	MUELLE	1	1
51	CP050192	MOLLA PARASASSI	RESSORT	FEDER	SPRING	MUELLE	1	1
52	CP047203	ASTINA	AXE PIVOT	STANGE	HINGE PIN	EJE DEFLECTÓR	1	1
53	CP047212	SUPPORTO ASSALE	SUPPORT	ACHSELAGER	SUPPORT	SOPORTE	1	1
54	CP047213	SUPPORTO ASSALE	SUPPORT	ACHSELAGER	SUPPORT	SOPORTE	1	1
55	CP047215	SUPPORTO ASSALE	SUPPORT	ACHSELAGER	SUPPORT	SOPORTE	2	2
56	CP047217	PASSACAVO	JOINTE	RING	RING	ANILLO	1	1
57	CP047102	CUPOLINA INTERNA	CALOTTE	VERKLEIDUNG	COVER	CARCASA	1	1
58	CP047236	CAPPUCCIO	CACHE MOYEU	KAPPE	HOOD	POMO	1	1
59	CP047255	LEVA ALZO	LEVIER	STANGE	LEVER	LEVA ALTURAS	1	1
60	CP047267	PERNO	GOUJON	ZAPFEN	PIN	PERNO	1	1
61	CP047827	CINGHIA Z 27 1/2	COURROIE	RIEMEN	BELT	CORREA	1	1
62	CP056069	LEVA SEMOVENZA BBC	LEVIER EMBRAYAGE	STANGE	LEVER CLUTCH	LEVA	1	
63	CP050108	RUOTA 180	ROUE	RAD	WHEEL	RUEDA	2	
63	CP050106	RUOTA 180	ROUE	RAD	WHEEL	RUEDA		2
64	CP050118	RUOTA 200	ROUE	RAD	WHEEL	RUEDA	2	
64	CP050116	RUOTA 200	ROUE	RAD	WHEEL	RUEDA		2
65	CP050128	COPRIRUOTA 180	CACHE MOYEU	RADDECKUNG	HUB CAP	TAPA RUEDA	2	2
66	CP050133	COPRIRUOTA 200-230	CACHE MOYEU	RADDECKUNG	HUB CAP	TAPA RUEDA	2	2
67	CP050138	CAVO SEMOVENZA	CABLE D'EMBAYAGE	SELBSTBEWEGLICHKAB	CABLE CLUTCH	CABLE TRACCION	1	1
68	CP050191	MOLLA	RESSORT	FEDER	SPRING	MUELLE	1	1
69	CP050194	MOLLA	RESSORT	FEDER	SPRING	MUELLE	2	2
70	CP050212	REGOLATORE MANICO	REGLAGE DE GUIDON	STIELREGULATOR	HANDLE REGULATOR	REGULADOR MANILLAR	4	
71	CP050214	COPRIRUOTA INTERNO	CACHE MOYEU	RADDECKUNG	HUB CAP	TAPA RUEDA	2	2
72	CP050222	FERMACAVO	ATTACHE CABLE	KABELBSCHWERER	CLIP	FIJADOR CABLE	2	2
73	CP050228	POMOLO MANICO	ÉCROU	GRIFF	KNOB HANDLE	POMO MANILLAR	4	4

GT 47 SE - GX 47 SE (>= 2005)

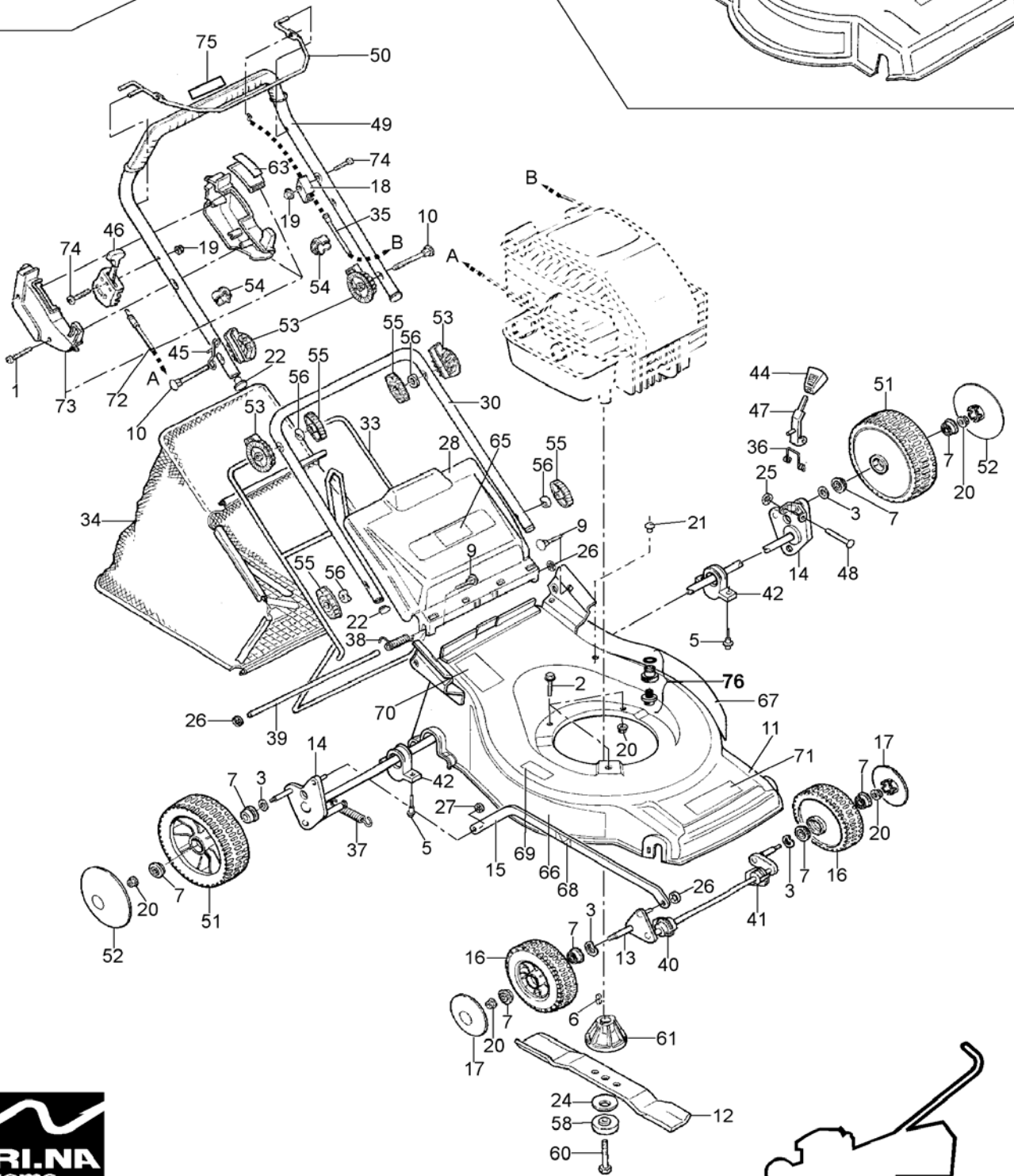
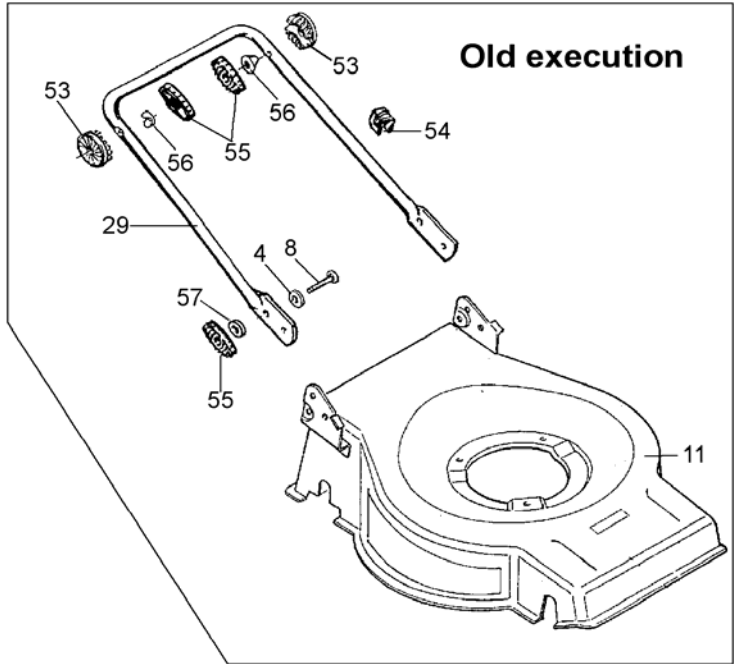
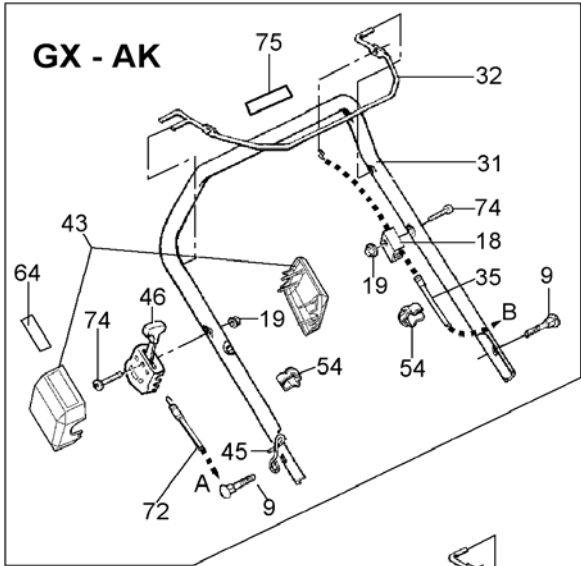


RICAMBI ORIGINALI



POS.	CODICE	I	F	D	GB	E	GT	GX
1	CP017186F	MOTORE EL. 1800 W A	MOTEUR	MOTOR	ENGINE	MOTOR	1	1
2	CP019825	CONDENSATORE 25 M	CONDENSATEUR	KONDENSATOR	CONDENSER	CONDENSADOR	1	1
3	CP023925	VITE AUTOF.	VIS	SCHRAUBE	SCREW	TORNILLO	2	2
4	CP030816	VITE TE	VIS	SCHRAUBE	SCREW	TORNILLO	1	1
5	CP030825	VITE TE	VIS	SCHRAUBE	SCREW	TORNILLO	1	1
6	CP025080	VITE	VIS	SCHRAUBE	SCREW	TORNILLO	2	2
7	CP032813	RONDELLA	RONDELLE	SCHEIBE	WASHER	ARANDELA	2	2
8	CP032908	RONDELLA	RONDELLE	SCHEIBE	WASHER	ARANDELA	3	3
9	CP032913	RONDELLA	RONDELLE	SCHEIBE	WASHER	ARANDELA	2	2
10	CP034615	RIVETTO	RIVET	NIET	RIVET	CLAVO	4	4
11	CP032924	RONDELLA	RONDELLE	SCHEIBE	WASHER	ARANDELA	4	4
12	CP035905	RASAMENTO	RONDELLE	SCHEIBE	WASHER	ARANDELA	2	2
13	CP037304	CHIAVETTA	CLAVETTE	SCHLÜSSELCHEN	WOODRUFF KEY	CHAVETA	1	1
14	CP037305	CHIAVETTA	CLAVETTE	SCHLÜSSELCHEN	WOODRUFF KEY	CHAVETA	2	2
15	CP038226	CUSCINETTO 12X26	ROULEMENT	KUGELLAGER	BALL BEARING	COJINETE	4	4
16	CP038227	CUSCINETTO 12X27	ROULEMENT	KUGELLAGER	BALL BEARING	COJINETE	4	4
17	CP038228	CUSCINETTO	ROULEMENT	KUGELLAGER	BALL BEARING	COJINETE	2	2
18	CP040635	VITE TTQST	VIS	SCHRAUBE	SCREW	TORNILLO	1	1
19	CP040860	VITE TTQST	VIS	SCHRAUBE	SCREW	TORNILLO	2	2
20	CP030820	VITE TE	VIS	SCHRAUBE	SCREW	TORNILLO	4	4
21	CP042156	VENTOLA	VENTILATEUR	LAUFRAD	FAN	VENTILADOR	1	1
22	CP040158	VENTOLA	VENTILATEUR	LAUFRAD	FAN	VENTILADOR	1	1
23	CP042185	INTERRUTTORE	INTERRUPTEUR	SCHALTER D-I-F-A-B-N	SWITCH	INTERRUPTOR	1	1
24	CP047224	LEVA COMPLETA LUN	LEVIER	STANGE	LEVER	LEVA	2	2
25	CP040209	VITE LAMA	VIS	SCHRAUBE	SCREW	TORNILLO	1	1
26	CP042222	SUPPORTO CAVO	PORTE CABLE	KABELHALTER	CABLE SUPPORT	FIJADOR CABLE	1	1
27	CP044906	DADO	ÉCROU	MUTTER	KNOB	ESPARRAGO	1	1
28	CP042808	DADO	ÉCROU	MUTTER	KNOB	ESPARRAGO	8	8
29	CP044708	DADO	ÉCROU	MUTTER	KNOB	ESPARRAGO	3	3
30	CP045530	SPINA	GOUPILLE	DORN	PIN	PASADOR	1	1
31	CP045720	TAPPO	COUVERCLE	KAPPE	CAP	TAPA	2	2
32	CP045810	GRANO	VIS	SCHRAUBE	SCREW	TORNILLO	1	1
33	CP046606	RITEGNO	CLIP	RÜCKHALT	RETAINER	ANILLO CLIP	1	1
34	CP046607	RITEGNO	CLIP	RÜCKHALT	RETAINER	ANILLO CLIP	3	3
35	CP046812	SEGER	SEGER	RUCKHALT	RETAINER	ANILLO CLIP	4	4
36	CP047001	CHASSIS VERDE	CARTER	GEHÄUSE	DECK	CHASIS	1	1
36	CP047001.02	CHASSIS ROSSO	CARTER	GEHÄUSE	DECK	CHASIS	1	1
37	CP047010	LAMA	LAME	MESSER	BLADE	CUCHILLA	1	1
38	CP047018	PARASASSI	DEFLECTEUR	DEFLEKTOR	REAR DOOR	DEFLECTÓR	1	1
39	CP047032	MANICO INF.	GUIDON	STIEL	HANDLE	MANILLAR	1	1
40	CP047048	ASSALE ANT	AXE AVANT	VORDERACHSE	FRONT AXLE	EJE ANTERIOR	1	1
41	CP047058	ASSALE POS	AXE ARRIERE	HINTERACHSE	REAR AXLE	EJE POSTERIOR	1	1
42	CP047063	TIRANTE ASSALE	BARRE	GESTÄNGE	LINK ROD	TIRANTE EJE	1	1
43	CP047078	TELAIO CESTO	ATTELAGE	GRASFANGRAHMEN	FRAME	ARMAZON SACO	1	1
44	CP047083	TELA CESTO BIANCA	SAC RAMASSEUR	GRASFANGSACK	GRASS BAG	SACO TELA	1	1
44	CP047083.05	TELA CESTO NERA	SAC RAMASSEUR	GRASFANGSACK	GRASS BAG	SACO TELA	1	1
45	CP047088	RIDUTTORE TR 47	REDUCTEUR	UNTERSETZUNGGETR	GEAR BOX ASSY	TRANSMISION	1	1
46	CP047096	COPRICINGHIA	COUVERCLE COURRO	RIEMENSCHUTZ	BELT COVER	TAPA	1	1
47	CP032103	CUPOLINA SUP. VERD	CALOTTE	VERKLEIDUNG	COVER	CARCASA	1	1
47	CP032103.02	CUPOLINA SUP. ROSS	CALOTTE	VERKLEIDUNG	COVER	CARCASA RAL 3000	1	1
48	CP046175	BASE MOTORE	PORTE MOTEUR	MOTORGEHÄUSE	MOTOR BOX	BASE MOTOR	1	1
49	CP047191	MOLLA	RESSORT	FEDER	SPRING	MUELLE	1	1
50	CP047192	MOLLA	RESSORT	FEDER	SPRING	MUELLE	1	1
51	CP050192	MOLLA PARASASSI	RESSORT	FEDER	SPRING	MUELLE	1	1
52	CP047203	ASTINA	AXE PIVOT	STANGE	HINGE PIN	EJE DEFLECTÓR	1	1
53	CP047212	SUPPORTO ASSALE	SUPPORT	ACHSELAGER	SUPPORT	SOPORTE	1	1
54	CP047213	SUPPORTO ASSALE	SUPPORT	ACHSELAGER	SUPPORT	SOPORTE	1	1
55	CP047215	SUPPORTO ASSALE	SUPPORT	ACHSELAGER	SUPPORT	SOPORTE	2	2
56	CP047217	PASSACAVO	JOINTE	RING	RING	ANILLO	1	1
57	CP046102	CUPOLINA BIANCA	CALOTTE	VERKLEIDUNG	COVER	CARCASA	1	1
58	CP047236	CAPPUCCIO	CACHE MOYEU	KAPPE	HOOD	POMO	1	1
59	CP047255	LEVA ALZO	LEVIER	STANGE	LEVER	LEVA ALTURAS	1	1
60	CP047267	PERNO	GOUJON	ZAPFEN	PIN	PERNO	1	1
61	CP047827	CINGHIA Z 27 1/2	COURROIE	RIEMEN	BELT	CORREA	1	1
62	CP056069	LEVA SEMOVENZA BB	LEVIER EMBRAYAGE	STANGE	LEVER CLUTCH	LEVA	1	1
63	CP050108	RUOTA 180	ROUE	RAD	WHEEL	RUEDA	2	2
63	CP050106	RUOTA 180	ROUE	RAD	WHEEL	RUEDA	1	1
64	CP050118	RUOTA 200	ROUE	RAD	WHEEL	RUEDA	2	2
64	CP050116	RUOTA 200	ROUE	RAD	WHEEL	RUEDA	1	1
65	CP050127	COPRIRUOTA 180	CACHE MOYEU	RADDECKUNG	HUB CAP	TAPA RUEDA	2	2
66	CP050132	COPRIRUOTA 200-230	CACHE MOYEU	RADDECKUNG	HUB CAP	TAPA RUEDA	2	2
67	CP050139	CAVO SEMOVENZA	CABLE D'EMBAYAGE	SELBSTBEWEGLICHK	CABLE CLUTCH	CABLE TRACCION	1	1
68	CP050191	MOLLA	RESSORT	FEDER	SPRING	MUELLE	1	1
69	CP050194	MOLLA	RESSORT	FEDER	SPRING	MUELLE	2	2
70	CP050212	REGOLATORE MANICO	REGLAGE DE GUIDON	STIELREGULATOR	HANDLE REGULATOR	REGULADOR MANILLA	4	4
71	CP050214	COPRIRUOTA INTERN	CACHE MOYEU	RADDECKUNG	HUB CAP	TAPA RUEDA	2	2
72	CP050222	FERMACAVO	ATTACHE CABLE	KABELBESCHWERER	CLIP	FIJADOR CABLE	2	2
73	CP050228	POMOLO MANICO	ÉCROU	GRIFF	KNOB HANDLE	POMO MANILLAR	2	2

GT 47 - GX 46 - GX 47 - AK 47



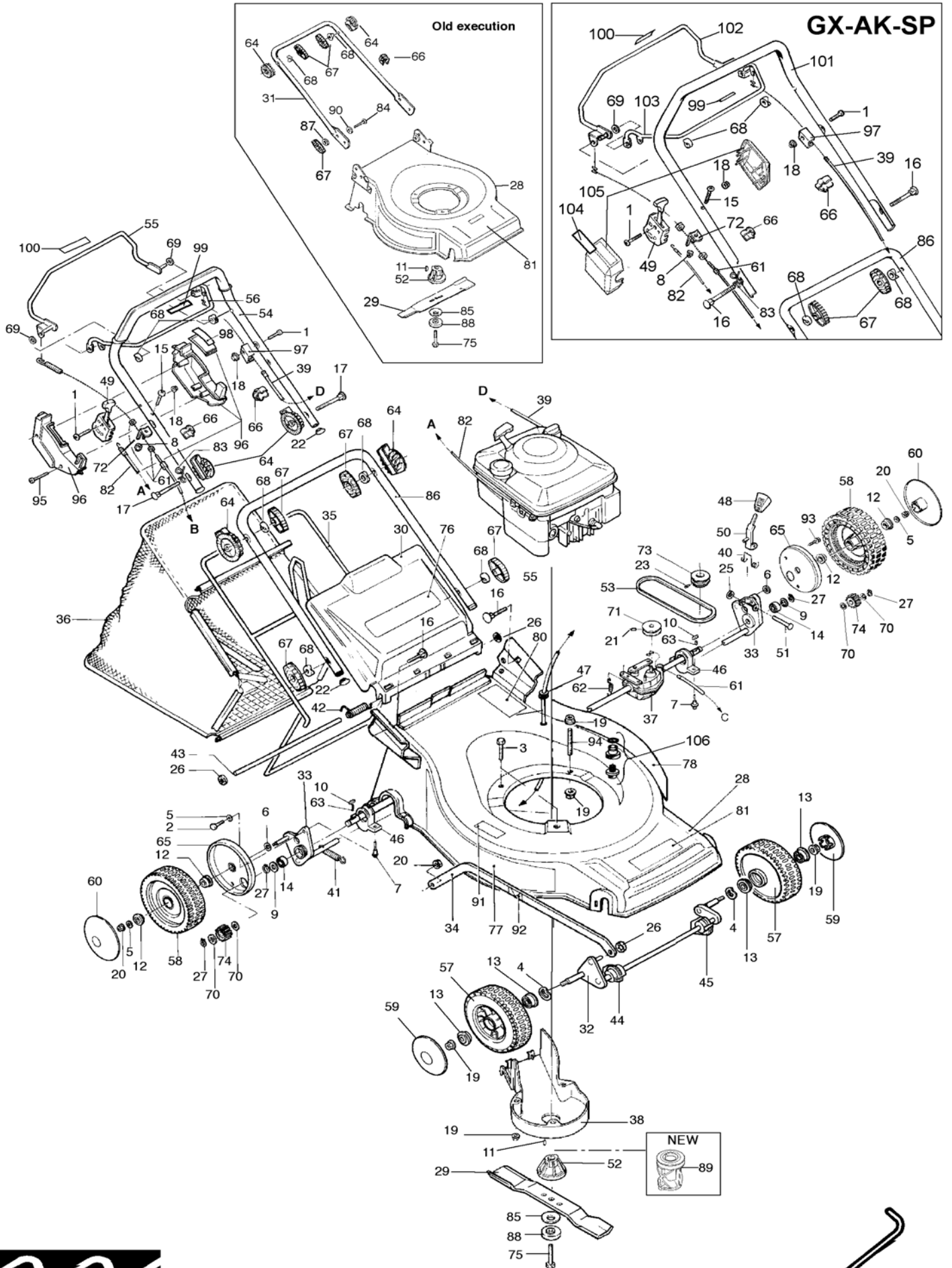
RICAMBI ORIGINALI

MA.RI.NA.

GT 47 - GX 46 - GX 47 - AK 47

POS.	CODICE	I	F	D	GB	E	GT 47	GX 46	GX 47	AK 47
1	CP025040	VITE AUTOF.	VIS	SCHRAUBE	SCREW	TORNILLO	2			
2	CP030830	VITE TE	VIS	SCHRAUBE	SCREW	TORNILLO	3	3		3
3	CP032813	RONDELLA	RONDELLE	SCHEIBE	WASHER	ARANDELA	4	4	3	4
3	CP032913	RONDELLA	RONDELLE	SCHEIBE	WASHER	ARANDELA	4 X RUOTE CP047118.98-CP053118.98			
4	CP032913	RONDELLA	RONDELLE	SCHEIBE	WASHER	ARANDELA	2	2	2	2
5	CP034615	RIVETTO	RIVET	NIET	RIVET	CLAVO	4	4	4	4
6	CP037406	CHIAVETTA	CLAVETTE	SCHLÜSSELCHEN	WOODRUFF KEY	CHAVETA	1	1	1	1
7	CP038227	CUSCINETTO 12X27	ROULEMENT	KUGELLAGER	BALL BEARING	COJINETE	8	8	8	8
7	CP038228	CUSCINETTO	ROULEMENT	KUGELLAGER	BALL BEARING	COJINETE	8 X RUOTE CP047118.98-CP053118.98			
8	CP040835	VITE TTQST	VIS	SCHRAUBE	SCREW	TORNILLO	2	2	2	2
9	CP040850	VITE TTQST	VIS	SCHRAUBE	SCREW	TORNILLO	2	4	4	4
10	CP040875	VITE TTQST	VIS	SCHRAUBE	SCREW	TORNILLO	2			
11	CP046001.02	CHASSIS ROSSO	CARTER	GEHÄUSE	DECK	CHASIS		1		
11	CP047001	CHASSIS VERDE	CARTER	GEHÄUSE	DECK	CHASIS	1			
11	CP047001.02	CHASSIS ROSSO	CARTER	GEHÄUSE	DECK	CHASIS			1	
11	CP047001.03	CHASSIS ARGENTO	CARTER	GEHÄUSE	DECK	CHASIS				1
12	CP047013	LAMA	LAME	MESSER	BLADE	CUCHILLA	1	1	1	1
13	CP047048	ASSALE ANT	AXE AVANT	VORDERACHSE	FRONT AXLE	EJE ANTERIOR	1	1	1	1
14	CP047053	ASSALE POS	AXE ARRIERE	HINTERACHSE	REAR AXLE	EJE POSTERIOR	1	1	1	1
15	CP047063	TIRANTE ASSALE	BARRE	GESTÄNGE	LINK ROD	TIRANTE EJE	1	1	1	1
16	CP050106	RUOTA 180	ROUE	RAD	WHEEL	RUEDA		2	2	2
16	CP050108	RUOTA 180	ROUE	RAD	WHEEL	RUEDA	2 (fino a / till 12/2005)			
16	CP047118.98	RUOTA 180 PH ZINCA	ROUE ACIER	VERZINKTES RAD	ZINC WHEEL	RUEDA ZINC	2 (da / from 01/2006)			
17	CP050127	COPRIRUOTA 180	CACHE MOYEU	RADDECKUNG	HUB CAP	TAPA RUEDA	2 (da/da/ 04/2004 a/to 12/2005)			
17	CP050128	COPRIRUOTA 180	CACHE MOYEU	RADDECKUNG	HUB CAP	TAPA RUEDA	2 (fino a / till 04/2004)			
17	CP047133	COPRIRUOTA	CACHE MOYEU	RADDECKUNG	HUB CAP	TAPA RUEDA	2 (da / from 01/2006)			
18	CP042216	BLOCCETTO CAVO	ATTACHE CABLE FRE	KABELBSCHWERER	CLIP	FIJADOR CABLE	1	1	1	1
19	CP042806	DADO	ÉCROU	MUTTER	KNOB	ESPARRAGO	2	2	2	2
20	CP042808	DADO	ÉCROU	MUTTER	KNOB	ESPARRAGO	7	7	7	7
21	CP045713	TAPPO	COUVERCLE	KAPPE	CAP	TAPA	1	1	1	1
22	CP045722	TAPPO	COUVERCLE	KAPPE	CAP	TAPA	4	2	2	2
24	CP045911	MOLLA A TAZZA	RONDELLE	SCHEIBE	WASHER	MUELLE	1	1	1	1
25	CP046606	RITEGNO	CLIP	RÜCKHALT	RETAINER	ANILLO CLIP	1	1	1	1
26	CP046607	RITEGNO	CLIP	RÜCKHALT	RETAINER	ANILLO CLIP	3	3	3	3
27	CP046608	RITEGNO	CLIP	RÜCKHALT	RETAINER	ANILLO CLIP	1	1	1	1
28	CP047018	PARASASSI	DEFLECTEUR	DEFLEKTOR	REAR DOOR	DEFLECTÖR	1	1	1	1
29	CP047033	MANICO INF.	GUIDON	STIEL	HANDLE	MANILLAR	1	1	1	1
30	CP047034	MANICO INF.	GUIDON	STIEL	HANDLE	MANILLAR	1	1	1	1
31	CP047042	MANICO SUP.	GUIDON	STIEL	HANDLE	MANILLAR		1	1	1
32	CP047071	LEVA FRENO	LEVIER FREIN	STANGE	LEVER	LEVA		1	1	1
33	CP047078	TELAIO CESTO	ATTELAGE	GRASFANGRAHMEN	FRAME	ARMAZON SACO	1	1	1	1
34	CP047083	TELA CESTO BIANCA	SAC RAMASSEUR	GRASFANGSACK	GRASS BAG	SACO TELA	1			1
34	CP047083.05	TELA CESTO NERA	SAC RAMASSEUR	GRASFANGSACK	GRASS BAG	SACO TELA		1	1	
35	?-TAB-FR	CAVO FRENO	CABLE FREIN	KABEL	CABLE	CABLE	1	1	1	1
36	CP047191	MOLLA	RESSORT	FEDER	SPRING	MUELLE	1	1	1	1
37	CP047192	MOLLA	RESSORT	FEDER	SPRING	MUELLE	1	1	1	1
38	CP050192	MOLLA PARASASSI	RESSORT	FEDER	SPRING	MUELLE	1	1	1	1
39	CP047203	ASTINA	AXE PIVOT	STANGE	HINGE PIN	EJE DEFLECTÖR	1	1	1	1
40	CP047212	SUPPORTO ASSALE	SUPPORT	ACHSELAGER	SUPPORT	SOPORTE	1	1	1	1
41	CP047213	SUPPORTO ASSALE	SUPPORT	ACHSELAGER	SUPPORT	SOPORTE	1	1	1	1
42	CP047214	SUPPORTO ASSALE	SUPPORT	ACHSELAGER	SUPPORT	SOPORTE	2	2	2	2
43	CP047220	COPRIACCELERATOR	COUVERCLE	DECKEL	COVER	COPA PROTECTORA		1	1	1
44	CP047236	CAPPUCCIO	CACHE MOYEU	KAPPE	HOOD	POMO	1	1	1	1
45	CP047242	GANCIO FUNE AVV.	PORTE CABLE	KABELHALTER	CABLE SUPPORT	FIJADOR CABLE	1	1	1	1
46	CP047250	COMANDO ACCELERA	LEVIER	STANGE	THROTTLE LEVER	LEVA	1	1	1	1
47	CP047255	LEVA ALZO	LEVIER	STANGE	LEVER	LEVA ALTURAS	1	1	1	1
48	CP047267	PERNO	GOUJON	ZAPFEN	PIN	PERNO	1	1	1	1
49	CP050043	MANICO SUP.	GUIDON	STIEL	HANDLE	MANILLAR	1			
50	CP050071	LEVA FRENO	LEVIER FREIN	STANGE	LEVER	LEVA	1			
51	CP050110	RUOTA 200	ROUE	RAD	WHEEL	RUEDA		2	2	2
51	CP050112	RUOTA 200	ROUE	RAD	WHEEL	RUEDA	2 (fino a / till 12/2005)			
51	CP053118.98	RUOTA 209 PH ZINCA	ROUE ACIER	VERZINKTES RAD	ZINC WHEEL	RUEDA ZINC	2 (da / from 01/2006)			
52	CP050132	COPRIRUOTA 200-230	CACHE MOYEU	RADDECKUNG	HUB CAP	TAPA RUEDA	2 (da/da/ 04/2004 a/to 12/2005)			
52	CP050130	COPRIRUOTA 200	CACHE MOYEU	RADDECKUNG	HUB CAP	TAPA RUEDA	2 (fino a / till 04/2004)			
52	CP047133	COPRIRUOTA	CACHE MOYEU	RADDECKUNG	HUB CAP	TAPA RUEDA	2 (da / from 01/2006)			
53	CP050212	REGOLATORE MANIC	REGLAGE DE GUIDON	STIELREGULATOR	HANDLE REGULATOR	REGULADOR MANILLA	4			
54	CP050222	FERMACAVO	ATTACHE CABLE	KABELBSCHWERER	CLIP	FIJADOR CABLE	2	2	2	2
55	CP050228	POMOLO MANICO	ÉCROU	GRIFF	KNOB HANDLE	POMO MANILLAR	4	4	4	4
56	CP050230	RONDELLA	RONDELLE	SCHEIBE	WASHER	ARANDELA	4	4	4	4
57	CP050233	RONDELLA	RONDELLE	SCHEIBE	WASHER	ARANDELA	2	2	2	2
58	CP053250	RONDELLA	RONDELLE	SCHEIBE	WASHER	ARANDELA	1	1	1	1
60	CP050964	VITE LAMA	VIS	SCHRAUBE	SCREW	TORNILLO	1	1	1	1
61	CP053273	MOZZO LAMA 22	PORTE LAME	MESSERHALTER	BLADE ADAPTOR	PORTA CUCHILLA	1	1	1	1
63	CP053710	DECALCO	DECALQUE	ETIKETTE	DECAL	CARTEL	1			
64	CP053713	DECALCO	DECALQUE	ETIKETTE	DECAL	CARTEL		1		
65	CP053715	DECALCO	DECALQUE	ETIKETTE	DECAL	CARTEL	1	1	1	1
66	CP053726	DECALCO	DECALQUE	ETIKETTE	DECAL	CARTEL	1			
67	CP053727	DECALCO	DECALQUE	ETIKETTE	DECAL	CARTEL	1			
68	CP053802	DECALCO	DECALQUE	ETIKETTE	DECAL	CARTEL	1	1	1	1
69	CP053806	DECALCO	DECALQUE	ETIKETTE	DECAL	CARTEL	1	1	1	1
70	CP053813	DECALCO	DECALQUE	ETIKETTE	DECAL	CARTEL	1	1	1	1
71	CP053861	DECALCO GALAXY	DECALQUE	ETIKETTE	DECAL	CARTEL		1	1	
71	CP053910	DECALCO GREENTEA	DECALQUE	ETIKETTE	DECAL	CARTEL	1			
71	CP053849	DECALCO AKITA	DECALQUE	ETIKETTE	DECAL	CARTEL				1
72	?-TAB-AC	CAVO ACCELERATOR	CABLE GAZ	KABEL	CABLE	CABLE	1	1	1	1
73	CP056226	COPRIACCELERATOR	COUVERCLE	DECKEL	COVER	COPA PROTECTORA	1			

GT 47 S - GX 46 S - GX 47 S - AK 47 S - SP 47 S

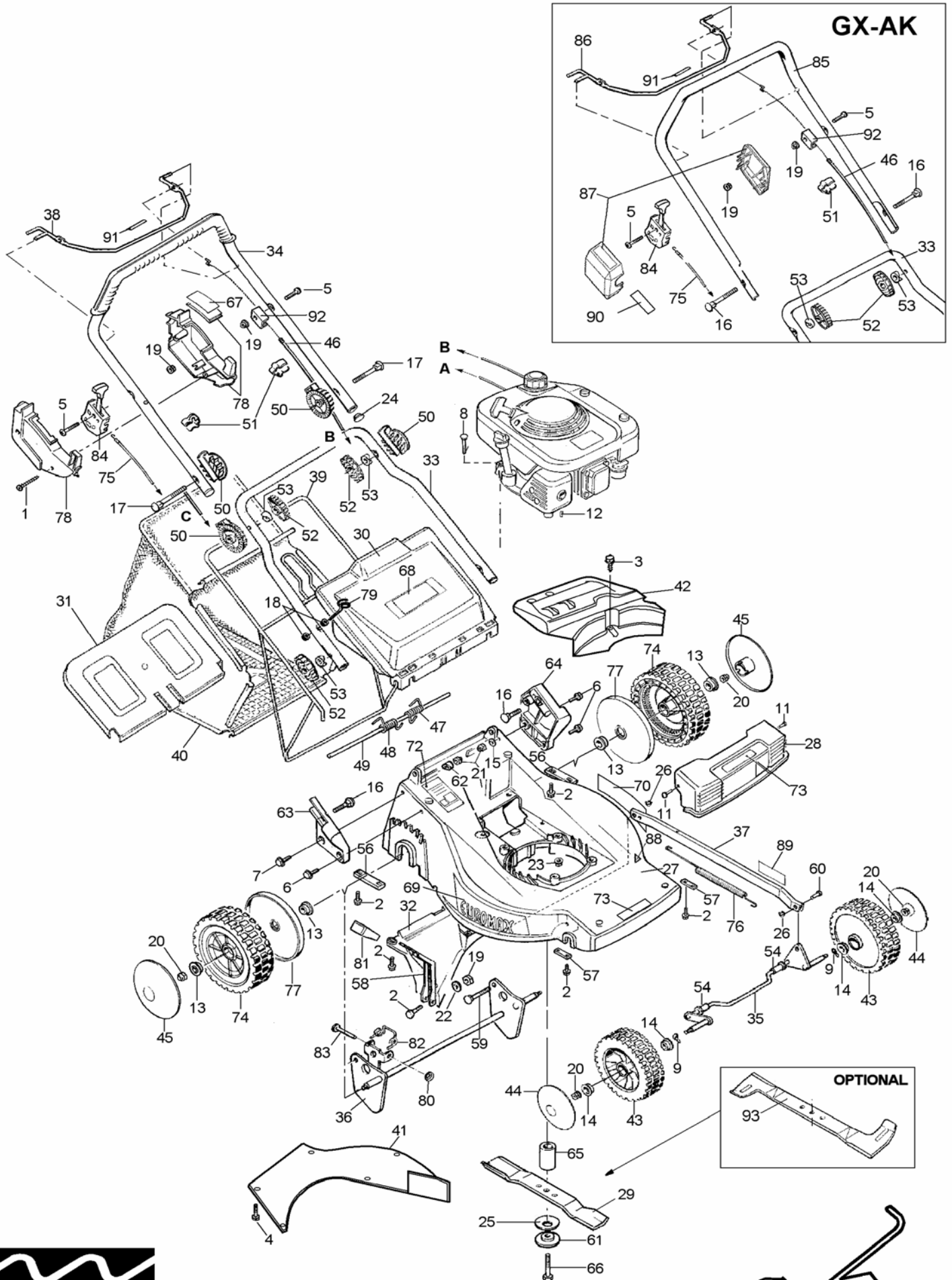


RICAMBI ORIGINALI

POS.	CODICE	I	F	D	GB	E	GT 47	GX 46	GX 47	AK 47	SP 47				
1	CP060640	VITE TC	VIS	SCHRAUBE	SCREW	TORNILLO	2	2	2	2	2				
2	CP030825	VITE TE	VIS	SCHRAUBE	SCREW	TORNILLO	1	1	1	1	1				
3	CP030845	VITE TE	VIS	SCHRAUBE	SCREW	TORNILLO	3	3	3	3	3				
4	CP032813	RONDELLA	RONDELLE	SCHIBE	WASHER	ARANDELA	2	2	2	2	2				
4	CP032913	RONDELLA	RONDELLE	SCHIBE	WASHER	ARANDELA	4 X RUOTE CP047118.98 - CP053128.98								
5	CP032908	RONDELLA	RONDELLE	SCHIBE	WASHER	ARANDELA	5	5	5	5	5				
6	CP032913	RONDELLA	RONDELLE	SCHIBE	WASHER	ARANDELA	2	2	2	2	2				
7	CP034615	RIVETTO	RIVET	NIET	RIVET	CLAVO	4	4	4	4	4				
8	CP044906	DADO	ÉCROU	MUTTER	KNOB	ESPARRAGO	1	1	1	1	1				
9	CP035905	RASAMENTO	RONDELLE	SCHIBE	WASHER	ARANDELA	2	2	2	2	2				
10	CP037305	CHIAVETTA	CLAVETTE	SCHLÜSSELCHEN	WOODRUFF KEY	CHAVETA	2	2	2	2	2				
11	CP037406	CHIAVETTA	CLAVETTE	SCHLÜSSELCHEN	WOODRUFF KEY	CHAVETA	1 (fino a / till 03/1999)								
12	CP038226	CUSCINETTO 12X26	ROULEMENT	KUGELLAGER	BALL BEARING	COJINETE	4	4	4	4	4				
12	CP038228	CUSCINETTO	ROULEMENT	KUGELLAGER	BALL BEARING	COJINETE	2 X RUOTE - CP053128.98								
13	CP040226	BOCCOLA	BOUCLE	BÜCHSE	BUSH	COJINETE					4				
13	CP038227	CUSCINETTO 12X27	ROULEMENT	KUGELLAGER	BALL BEARING	COJINETE	4	4	4	4	4				
13	CP038228	CUSCINETTO	ROULEMENT	KUGELLAGER	BALL BEARING	COJINETE	2 X RUOTE CP047118.98								
14	CP038228	CUSCINETTO	ROULEMENT	KUGELLAGER	BALL BEARING	COJINETE	2	2	2	2	2				
15	CP040630	VITE TTQST	VIS	SCHRAUBE	SCREW	TORNILLO	1	1	1	1	1				
16	CP040850	VITE TTQST	VIS	SCHRAUBE	SCREW	TORNILLO	2	4	4	4	4				
17	CP040875	VITE TTQST	VIS	SCHRAUBE	SCREW	TORNILLO	2								
18	CP042806	DADO	ÉCROU	MUTTER	KNOB	ESPARRAGO	3	3	3	3	3				
19	CP042808	DADO	ÉCROU	MUTTER	KNOB	ESPARRAGO	8	8	8	8	8				
20	CP044708	DADO	ÉCROU	MUTTER	KNOB	ESPARRAGO	3	3	3	3	3				
21	CP045530	SPINA	GOUPILLE	DORN	PIN	PASADOR	1	1	1	1	1				
22	CP045722	TAPPO	COUVERCLE	KAPPE	CAP	TAPA	4	2	2	2	2				
23	CP045810	GRANO	VIS	SCHRAUBE	SCREW	TORNILLO	1 (fino a / till 03/1999)								
25	CP046606	RITEGNO	CLIP	RÜCKHALT	RETAINER	ANILLO CLIP	1	1	1	1	1				
26	CP046607	RITEGNO	CLIP	RÜCKHALT	RETAINER	ANILLO CLIP	3	3	3	3	3				
27	CP046812	SEEGER	SEEGER	RÜCKHALT	RETAINER	ANILLO CLIP	4	4	4	4	4				
28	CP046001.02	CHASSIS ROSSO	CARTER	GEHÄUSE	DECK	CHASIS		1							
28	CP047001	CHASSIS VERDE	CARTER	GEHÄUSE	DECK	CHASIS	1								
28	CP047001.02	CHASSIS ROSSO	CARTER	GEHÄUSE	DECK	CHASIS			1						
28	CP047001.03	CHASSIS ARGENTO	CARTER	GEHÄUSE	DECK	CHASIS				1					
28	CP047001.12	CHASSIS	CARTER	GEHÄUSE	DECK	CHASIS					1				
29	CP047013	LAMA	LAME	MESSER	BLADE	CUCHILLA	1	1	1	1	1				
30	CP047018	PARASASSI	DEFLECTEUR	DEFLEKTOR	REAR DOOR	DEFLECTOR	1	1	1	1	1				
31	CP047033	MANICO INF.	GUIDON	STIEL	HANDLE	MANILLAR	1	1	1	1	1				
32	CP047048	ASSALE ANT	AXE AVANT	VORDERACHSE	FRONT AXLE	EJE ANTERIOR	1	1	1	1	1				
33	CP047058	ASSALE POS	AXE ARRIERE	HINTERACHSE	REAR AXLE	EJE POSTERIOR	1	1	1	1	1				
34	CP047063	TIRANTE ASSALE	BARRE	GESTÄNGE	LINK ROD	TIRANTE EJE	1	1	1	1	1				
35	CP047078	TELAIO CESTO	ATTELAGE	GRASFANGRAHMEN	FRAME	ARMAZON SACO	1	1	1	1	1				
36	CP047083	TELA CESTO BIANCA	SAC RAMASSEUR	GRASFANGSACK	GRASS BAG	SACO TELA	1			1					
36	CP047083.05	TELA CESTO NERA	SAC RAMASSEUR	GRASFANGSACK	GRASS BAG	SACO TELA		1	1		1				
37	CP047088	RIDUTTORE TR 47	REDUCTEUR	UNTERSETZUNGGE	GEAR BOX ASSY	TRANSMISION	1	1	1	1	1				
38	CP047096	COPRICINGHIA	COUVERCLE COURR	RIEMENSCHUTZ	BELT COVER	TAPA	1	1	1	1	1				
39	?-TAB-FR	CAVO FRENO	CABLE FREIN	KABEL	CABLE	CABLE	1	1	1	1	1				
40	CP047191	MOLLA	RESSORT	FEDER	SPRING	MUELLE	1	1	1	1	1				
41	CP047192	MOLLA	RESSORT	FEDER	SPRING	MUELLE	1	1	1	1	1				
42	CP050192	MOLLA PARASASSI	RESSORT	FEDER	SPRING	MUELLE	1	1	1	1	1				
43	CP047203	ASTINA	AXE PIVOT	STANGE	HINGE PIN	EJE DEFLECTOR	1	1	1	1	1				
44	CP047212	SUPPORTO ASSALE	SUPPORT	ACHSELAGER	SUPPORT	SOPORTE	1	1	1	1	1				
45	CP047213	SUPPORTO ASSALE	SUPPORT	ACHSELAGER	SUPPORT	SOPORTE	1	1	1	1	1				
46	CP047215	SUPPORTO ASSALE	SUPPORT	ACHSELAGER	SUPPORT	SOPORTE	2	2	2	2	2				
47	CP047217	PASSACAVO	JOINTE	RING	RING	ANILLO	1	1	1	1	1				
48	CP047236	CAPPUCCIO	CACHE MOYEU	KAPPE	HOOD	POMO	1	1	1	1	1				
49	CP047250	COMANDO ACCELER	LEVIER	STANGE	THRATTLE LEVER	LEVA	1	1	1	1	1				
50	CP047255	LEVA ALZO	LEVIER	STANGE	LEVER	LEVA ALTURAS	1	1	1	1	1				
51	CP047267	PERNO	GOUJON	ZAPFEN	PIN	PERNO	1	1	1	1	1				
52	CP053273	MOZZO LAMA 22	PORTE LAME	MESSERHALTER	BLADE ADAPTOR	PORTA CUCHILLA	1 (fino a / till 03/1999)								
53	CP047827	CINGHIA Z 27 1/2	COURROIE	RIEMEN	BELT	CORREA	1	1	1	1	1				
54	CP050043	MANICO SUP.	GUIDON	STIEL	HANDLE	MANILLAR	1								
55	CP050068	LEVA INNESTO	LEVIER EMBRAYAGE	STANGE	LEVER CLUTCH	LEVA	1								
56	CP050073	LEVA FRENO	LEVIER FREIN	STANGE	LEVER	LEVA	1								
57	CP047109	RUOTA 180	ROUE	RAD	WHEEL	RUEDA					2				
57	CP050106	RUOTA 180	ROUE	RAD	WHEEL	RUEDA		2	2	2					
57	CP050108	RUOTA 180	ROUE	RAD	WHEEL	RUEDA	2	<--- (fino a / till 12/2005)							
57	CP047118.98	RUOTA 180 PH ZINC	ROUE ACIER	VERZINKTES RAD	ZINC WHEEL	RUEDA ZINC	2	<--- (da / from 01/2006)							
58	CP050116	RUOTA 200	ROUE	RAD	WHEEL	RUEDA		2	2	2	2				
58	CP050118	RUOTA 200	ROUE	RAD	WHEEL	RUEDA	2	<--- (fino a / till 12/2005)							
58	CP053128.98	RUOTA 209T PH ZINC	ROUE ACIER	VERZINKTES RAD	ZINC WHEEL	RUEDA ZINC	2	<--- (da / from 01/2006)							
59	CP050127	COPRIRUOTA 180	CACHE MOYEU	RADDECKUNG	HUB CAP	TAPA RUEDA	2 (da/from 04/2004 a/to 12/2005)								
59	CP050128	COPRIRUOTA 180	CACHE MOYEU	RADDECKUNG	HUB CAP	TAPA RUEDA	2 (fino a / till 04/2004)								
59	CP047133	COPRIRUOTA	CACHE MOYEU	RADDECKUNG	HUB CAP	TAPA RUEDA	2 (da / from 01/2006)								
60	CP050132	COPRIRUOTA 200-23	CACHE MOYEU	RADDECKUNG	HUB CAP	TAPA RUEDA	2 (da/from 04/2004 a/to 12/2005)								
60	CP050133	COPRIRUOTA 200-23	CACHE MOYEU	RADDECKUNG	HUB CAP	TAPA RUEDA	2 (fino a / till 04/2004)								
60	CP047133	COPRIRUOTA	CACHE MOYEU	RADDECKUNG	HUB CAP	TAPA RUEDA	2 (da / from 01/2006)								
61	CP050139	CAVO SEMOVENZA	CABLE D'EMBAYAGE	SELBSTBEWEGLICH	CABLE CLUTCH	CABLE TRACCION	1	1	1	1	1				
62	CP050191	MOLLA	RESSORT	FEDER	SPRING	MUELLE	1	1	1	1	1				
63	CP050194	MOLLA	RESSORT	FEDER	SPRING	MUELLE	2	2	2	2	2				
64	CP050212	REGOLATORE MANI	REGLAGE DE GUIDO	STIELREGULATOR	HANDLE REGULATO	REGULADOR MANIL	4								
65	CP050214	COPRIRUOTA INTER	CACHE MOYEU	RADDECKUNG	HUB CAP	TAPA RUEDA	2	2	2	2	2				
66	CP050222	FERMACAVO	ATTACHE CABLE	KABELBESCHWERE	CLIP	FIJADOR CABLE	2	2	2	2	2				
67	CP050228	POMOLO MANICO	ÉCROU	GRIFF	KNOB HANDLE	POMO MANILLAR	4	4	4	4	4				

POS.	CODICE	I	F	D	GB	E	GT 47	GX 46	GX 47	AK 47	SP 47
68	CP050230	RONDELLA	RONDELLE	SCHEIBE	WASHER	ARANDELA	6	6	6	6	6
69	CP050234	RONDELLA	RONDELLE	SCHEIBE	WASHER	ARANDELA	2	2	2	2	2
70	CP050238	RONDELLA	RONDELLE	SCHEIBE	WASHER	ARANDELA	4	4	4	4	4
71	CP050240	PULEGGIA D.55	POULIE	RIEMENSCHLEIBE	PULLEY	POLEA	1	1	1	1	1
72	CP050243	STAFFETTA REGIST	EQUARRE	WINKELMASS	BRACKET	ABRAZADERA CABLE	1	1	1	1	1
73	CP050262	PULEGGIA MOTORE	POULIE	RIEMENSCHLEIBE	PULLEY	POLEA	1 (fino a / till 03/1999)				
74	CP050298	INGRANAGGIO	PIGNON	GETRIEBE	PINION	ENGRANAJE	2	2	2	2	2
75	CP050964	VITE LAMA	VIS	SCHRAUBE	SCREW	TORNILLO	1	1	1	1	1
76	CP053715	DECALCO	DECALQUE	ETIKETTE	DECAL	CARTEL	1	1	1	1	1
77	CP053726	DECALCO	DECALQUE	ETIKETTE	DECAL	CARTEL	1				
78	CP053727	DECALCO	DECALQUE	ETIKETTE	DECAL	CARTEL	1				
80	CP053813	DECALCO	DECALQUE	ETIKETTE	DECAL	CARTEL	1	1	1	1	1
81	CP053910	DECALCO GREENTE	DECALQUE	ETIKETTE	DECAL	CARTEL	1				
81	CP053861	DECALCO GALAXY	DECALQUE	ETIKETTE	DECAL	CARTEL		1	1		
81	CP053849	DECALCO AKITA	DECALQUE	ETIKETTE	DECAL	CARTEL				1	
81	CP053862	DECALCO SPARTAN	DECALQUE	ETIKETTE	DECAL	CARTEL					1
82	?-TAB-AC	CAVO ACCELERATO	CABLE GAZ	KABEL	CABLE	CABLE	1	1	1	1	1
83	CP047242	GANCIO FUNE AVV.	PORTE CABLE	KABELHALTER	CABLE SUPPORT	FIJADOR CABLE	1	1	1	1	1
84	CP040835	VITE TTQST	VIS	SCHRAUBE	SCREW	TORNILLO	2	2	2	2	2
85	CP045911	MOLLA A TAZZA	RONDELLE	SCHEIBE	WASHER	MUELLE	1	1	1	1	1
86	CP047034	MANICO INF.	GUIDON	STIEL	HANDLE	MANILLAR	1	1	1	1	1
87	CP050233	RONDELLA	RONDELLE	SCHEIBE	WASHER	ARANDELA	2	2	2	2	2
88	CP053250	RONDELLA	RONDELLE	SCHEIBE	WASHER	ARANDELA	1	1	1	1	1
89	CP053274	MOZZO CON PULEG	PORTE LAME + POU	MESSERHALTER	BLADE ADAPTOR+P	PORTA CUCHILLA+P	1 (da/from 04/1999 a/to 05/2003)				
89	CP053274A	MOZZO CON PULEG	PORTE LAME + POU	MESSERHALTER	BLADE ADAPTOR+P	PORTA CUCHILLA+P	1 (da / from 06/2003)				
90	CP032913	RONDELLA	RONDELLE	SCHEIBE	WASHER	ARANDELA	2	2	2	2	2
91	CP053806	DECALCO	DECALQUE	ETIKETTE	DECAL	CARTEL	1	1	1	1	1
92	CP053802	DECALCO	DECALQUE	ETIKETTE	DECAL	CARTEL	1	1	1	1	1
93	CP030816	VITE TE	VIS	SCHRAUBE	SCREW	TORNILLO	1	1	1	1	1
94	CP047257	VITE 8X75	VIS	SCHRAUBE	SCREW	TORNILLO	1	1	1	1	1
95	CP025040	VITE AUTOF.	VIS	SCHRAUBE	SCREW	TORNILLO	2				
96	CP056226	COPRIACCELERATO	COUVERCLE	DECKEL	COVER	COPA PROTECTORA	1				
97	CP042216	BLOCCETTO CAVO	ATTACHE CABLE FR	KABELBESCHWERE	CLIP	FIJADOR CABLE	1	1	1	1	1
98	CP053710	DECALCO	DECALQUE	ETIKETTE	DECAL	CARTEL	1				
99	CP053842	DECALCO	DECALQUE	ETIKETTE	DECAL	CARTEL	1	1	1	1	1
100	CP053843	DECALCO	DECALQUE	ETIKETTE	DECAL	CARTEL	1	1	1	1	1
101	CP047042	MANICO SUP.	GUIDON	STIEL	HANDLE	MANILLAR		1	1	1	1
102	CP047068	LEVA INNESTO	LEVIER EMBRAYAGE	STANGE	LEVER CLUTCH	LEVA		1	1	1	1
103	CP047073	LEVA FRENO	LEVIER FREIN	STANGE	LEVER	LEVA		1	1	1	1
104	CP053713	DECALCO	DECALQUE	ETIKETTE	DECAL	CARTEL		1	1	1	1
105	CP047220	COPRIACCELERATO	COUVERCLE	DECKEL	COVER	COPA PROTECTORA		1	1	1	1
106	CP052225	INNESTO RAPIDO	RACCORD DE L'EAU	SPUELDUESE	WATER CONNECTOR	ENLACE	1	1	1	1	1

GT 50 - GX 50 - AK 50

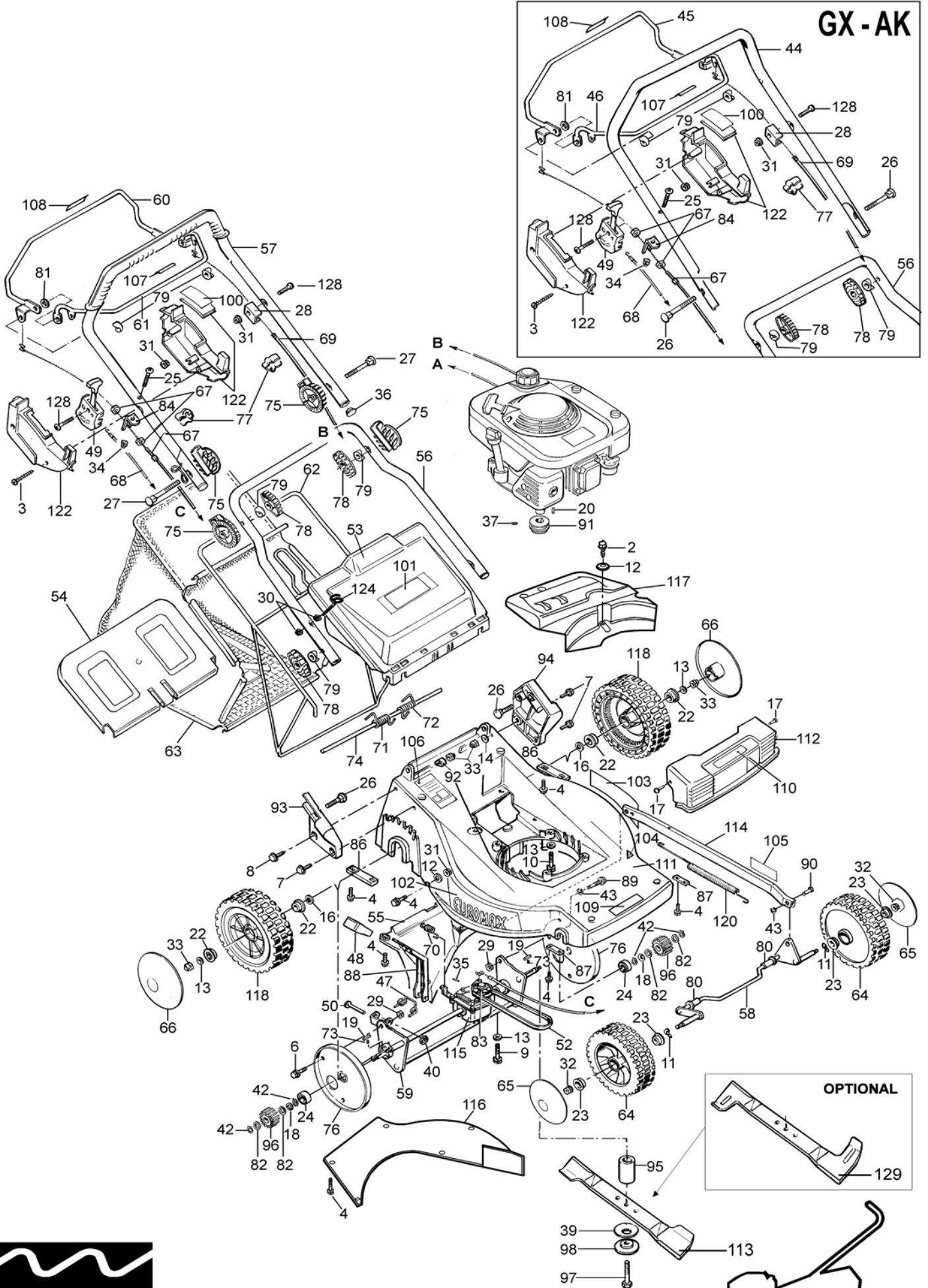


POS.	CODICE	I	F	D	GB	E	GT	GX	AK
1	CP025040	VITE AUTOF.	VIS	SCHRAUBE	SCREW	TORNILLO	2	2	2
2	CP026016	VITE AUTOF.	VIS	SCHRAUBE	SCREW	TORNILLO	16	16	16
3	CP026332	VITE AUTOF.	VIS	SCHRAUBE	SCREW	TORNILLO	1	1	1
5	CP060640	VITE TC	VIS	SCHRAUBE	SCREW	TORNILLO	2	2	2
6	CP030816	VITE TE	VIS	SCHRAUBE	SCREW	TORNILLO	3	3	3
7	CP030845	VITE TE	VIS	SCHRAUBE	SCREW	TORNILLO	1	1	1
8	CP030855	VITE TE	VIS	SCHRAUBE	SCREW	TORNILLO	3	3	3
9	CP032813	RONDELLA	RONDELLE	SCHEIBE	WASHER	ARANDELA	4	4	4
9	CP032913	RONDELLA	RONDELLE	SCHEIBE	WASHER	ARANDELA	4 X RUOTE	CP047118.98	CP057118.98
11	CP034411	RIVETTO	RIVET	NIET	RIVET	CLAVO	2	2	2
12	CP037406	CHIAVETTA	CLAVETTE	SCHLÜSSELCHEN	WOODRUFF KEY	CHAVETA	1	1	1
13	CP038226	CUSCINETTO 12X26	ROULEMENT	KUGELLAGER	BALL BEARING	COJINETE	4	4	4
13	CP038228	CUSCINETTO	ROULEMENT	KUGELLAGER	BALL BEARING	COJINETE	4 X RUOTE	CP057118.98	
14	CP038227	CUSCINETTO 12X27	ROULEMENT	KUGELLAGER	BALL BEARING	COJINETE	4	4	4
14	CP038228	CUSCINETTO	ROULEMENT	KUGELLAGER	BALL BEARING	COJINETE	4 X RUOTE	CP047118.98	
15	CP032909	RONDELLA	RONDELLE	SCHEIBE	WASHER	ARANDELA	4	4	4
16	CP040850	VITE TTQST	VIS	SCHRAUBE	SCREW	TORNILLO	2	4	4
17	CP040875	VITE TTQST	VIS	SCHRAUBE	SCREW	TORNILLO	2		
18	CP042805	DADO	ÉCROU	MUTTER	KNOB	ESPARRAGO	2	2	2
19	CP042806	DADO	ÉCROU	MUTTER	KNOB	ESPARRAGO	3	3	3
20	CP042808	DADO	ÉCROU	MUTTER	KNOB	ESPARRAGO	4	4	4
21	CP044708	DADO	ÉCROU	MUTTER	KNOB	ESPARRAGO	4	4	4
22	CP032907	RONDELLA	RONDELLE	SCHEIBE	WASHER	ARANDELA	1	1	1
23	CP044908	DADO	ÉCROU	MUTTER	KNOB	ESPARRAGO	3	3	3
24	CP045722	TAPPO	COUVERCLE	KAPPE	CAP	TAPA	2		
25	CP045911	MOLLA A TAZZA	RONDELLE	SCHEIBE	WASHER	MUELLE	1	1	1
26	CP046904	FERMO	CLIP	RÜCKHALT	RETAINER	ANILLO CLIP	2	2	2
27	CP050001	CHASSIS VERDE	CARTER	GEHÄUSE	DECK	CHASIS	1		
27	CP050001.02	CHASSIS ROSSO	CARTER	GEHÄUSE	DECK	CHASIS RAL 3000		1	
27	CP050001.03	CHASSIS ARGENTO	CARTER	GEHÄUSE	DECK	CHASIS			1
28	CP050008	MUSETTO	CARTER	SCHUTZ	DECK	CARCASA	1	1	1
29	CP050013	LAMA	LAME	MESSER	BLADE	CUCHILLA	1	1	1
30	CP050018	PARASASSI	DEFLECTEUR	DEFLEKTOR	REAR DOOR	DEFLECTÓR	1	1	1
31	CP050023	COPRICESTO NERO	COUVERCLE	GRASFANFSACKDE	BAG COVER	CARCASA	1		
32	CP050028	DEFLETTORE	DEFLECTEUR	DEFLEKTOR	DEFLECTOR	DEFLECTÓR	1	1	1
33	CP050033	MANICO INF.	GUIDON	STIEL	HANDLE	MANILLAR	1	1	1
34	CP050043	MANICO SUP.	GUIDON	STIEL	HANDLE	MANILLAR	1		
35	CP050048	ASSALE ANT	AXE AVANT	VORDERACHSE	FRONT AXLE	EJE ANTERIOR	1	1	1
36	CP050053	ASSALE POS	AXE ARRIERE	HINTERACHSE	REAR AXLE	EJE POSTERIOR	1	1	1
37	CP050063	TIRANTE ASSALE	BARRE	GESTÄNGE	LINK ROD	TIRANTE EJE	1	1	1
38	CP050071	LEVA FRENO	LEVIER FREIN	STANGE	LEVER	LEVA	1		
39	CP050078	TELAIO CESTO	ATTELAGE	GRASFANGRAHMEN	FRAME	ARMAZON SACO	1	1	1
40	CP050083	TELA CESTO BIANC.	SAC RAMASSEUR	GRASFANGSACK	GRASS BAG	SACO TELA	1		1
40	CP050083.05	TELA CESTO NERA	SAC RAMASSEUR	GRASFANGSACK	GRASS BAG	SACO TELA		1	
41	CP050093	PROTEZIONE	CARTER	SCHUTZ	METAL SHIELD	PROTECCION	1	1	1
42	CP050096	COPRICINGHIA	COUVERCLE COUR	RIEMENSCHUTZ	BELT COVER	TAPA	1	1	1
43	CP050106	RUOTA 180	ROUE	RAD	WHEEL	RUEDA		2	2
43	CP050108	RUOTA 180	ROUE	RAD	WHEEL	RUEDA	2		<--- (fino a / till 12/2005)
43	CP047118.98	RUOTA 180 PH ZINC	ROUE ACIER	VERZINKTES RAD	ZINC WHEEL	RUEDA ZINC	2		<--- (da / from 01/2006)
44	CP050127	COPRIRUOTA 180	CACHE MOYEU	RADDECKUNG	HUB CAP	TAPA RUEDA	2		(da / from 04/2004 a / to 12/2005)
44	CP050128	COPRIRUOTA 180	CACHE MOYEU	RADDECKUNG	HUB CAP	TAPA RUEDA	2		(fino a / till 04/2004)
44	CP047133	COPRIRUOTA	CACHE MOYEU	RADDECKUNG	HUB CAP	TAPA RUEDA	2		(da / from 01/2006)
45	CP050132	COPRIRUOTA 200-23	CACHE MOYEU	RADDECKUNG	HUB CAP	TAPA RUEDA	2		(da / from 04/2004 a / to 12/2005)
45	CP050133	COPRIRUOTA 200-23	CACHE MOYEU	RADDECKUNG	HUB CAP	TAPA RUEDA	2		(fino a / till 04/2004)
45	CP047133	COPRIRUOTA	CACHE MOYEU	RADDECKUNG	HUB CAP	TAPA RUEDA	2		(da / from 01/2006)
46	?-TAB-FR	CAVO FRENO	CABLE FREIN	KABEL	CABLE	CABLE	1	1	1
47	CP050192	MOLLA PARASASSI	RESSORT	FEDER	SPRING	MUELLE	1	1	1
48	CP050193	MOLLA PARASASSI	RESSORT	FEDER	SPRING	MUELLE	1	1	1
49	CP050203	ASTINA	AXE PIVOT	STANGE	HINGE PIN	EJE DEFLECTOR	1	1	1
50	CP050212	REGOLATORE MANI	REGLAGE DE GUIDO	STIELREGULATOR	HANDLE REGULATOR	REGULADOR MANIL	4		
51	CP050222	FERMACAVO	ATTACHE CABLE	KABELBESCHWERE	CLIP	FIJADOR CABLE	2	2	2
52	CP050228	POMOLO MANICO	ÉCROU	GRIFF	KNOB HANDLE	POMO MANILLAR	4	4	4
53	CP050230	RONDELLA	RONDELLE	SCHEIBE	WASHER	ARANDELA	4	4	4
54	CP050232	BOCCOLA	BOUCLE	BÜCHSE	BUSH	COJINETE	2	2	2
56	CP050246	PIASTRINA	PLAQUE	PLÄTTCHEN	PLATE	PLANCHA	2	2	2
57	CP050250	PIASTRINA	PLAQUE	PLÄTTCHEN	PLATE	PLANCHA	2	2	2
58	CP047254	LEVA ALZO	LEVIER	STANGE	LEVER	LEVA ALTURAS	1	1	1
59	CP050256	VITE SPECIALE	VIS	SCHRAUBE	SCREW	TORNILLO	1	1	1
60	CP050258	PERNO	GOUJON	ZAPFEN	PIN	PERNO	1	1	1
61	CP053250	RONDELLA	RONDELLE	SCHEIBE	WASHER	ARANDELA	1	1	1
62	CP050266	RONDELLA INCLINA	RONDELLE	SCHEIBE	WASHER	ARANDELA	1	1	1
63	CP050268	PIASTRA	PLAQUE	PLÄTTCHEN	PLATE	PLANCHA	1	1	1
64	CP050269	PIASTRA	PLAQUE	PLÄTTCHEN	PLATE	PLANCHA	1	1	1
65	CP050272	MOZZO LAMA 22	PORTE LAME	MESSERHALTER	BLADE ADAPTOR	PORTA CUCHILLA	1	1	1
66	CP050975	VITE LAMA 10.9	VIS	SCHRAUBE	SCREW	TORNILLO	1	1	1
67	CP053710	DECALCO	DECALQUE	ETIKETTE	DECAL	CARTEL	1		
68	CP053715	DECALCO	DECALQUE	ETIKETTE	DECAL	CARTEL	1	1	1
69	CP053740	DECALCO	DECALQUE	ETIKETTE	DECAL	CARTEL	1	1	1
70	CP053741	DECALCO	DECALQUE	ETIKETTE	DECAL	CARTEL	1	1	1

POS.	CODICE	I	F	D	GB	E	GT	GX	AK
72	CP053813	DECALCO	DECALQUE	ETIKETTE	DECAL	CARTEL	1	1	1
	CP053910	DECALCO GREENTE	DECALQUE	ETIKETTE	DECAL	CARTEL	1		
73	CP053861	DECALCO GALAXY	DECALQUE	ETIKETTE	DECAL	CARTEL		1	
73	CP053849	DECALCO AKITA	DECALQUE	ETIKETTE	DECAL	CARTEL			1
74	CP056116	RUOTA 230	ROUE	RAD	WHEEL	RUEDA		2	2
74	CP056118	RUOTA 230	ROUE	RAD	WHEEL	RUEDA		<---	(fino a / till 12/2005)
74	CP057118.98	RUOTA 235 PH ZINC	ROUE ACIER	VERZINKTES RAD	ZINC WHEEL	RUEDA ZINC	2	<---	(da / from 01/2006)
75	?-TAB-AC	CAVO ACCELERATO	CABLE GAZ	KABEL	CABLE	CABLE	1	1	1
76	CP056192	MOLLA	RESSORT	FEDER	SPRING	MUELLE	1	1	1
77	CP056214	FLANGIA	BRIDE	FLANSCH	FLANGE	SOPORTE	2	2	2
78	CP056226	COPRIACCELERATO	COUVERCLE	DECKEL	COVER	COPA PROTECTORA	1	1	1
79	CP056242	VITE	VIS	SCHRAUBE	SCREW	TORNILLO	1	1	1
80	CP046606	RITEGNO	CLIP	RÜCKHALT	RETAINER	ANILLO CLIP	1	1	1
81	CP047236	CAPPUCCIO	CACHE MOYEU	KAPPE	HOOD	POMO	1	1	1
82	CP047191	MOLLA	RESSORT	FEDER	SPRING	MUELLE	1	1	1
83	CP047267	PERNO	GOUJON	ZAPFEN	PIN	PERNO	1	1	1
84	CP047250	COMANDO ACCELE	LEVIER	STANGE	THROTTLE LEVER	LEVA	1	1	1
85	CP047042	MANICO SUP.	GUIDON	STIEL	HANDLE	MANILLAR		1	1
86	CP047071	LEVA FRENO	LEVIER FREIN	STANGE	LEVER	LEVA		1	1
87	CP047220	COPRIACCELERATO	COUVERCLE	DECKEL	COVER	COPA PROTECTORA		1	1
88	CP053802	DECALCO	DECALQUE	ETIKETTE	DECAL	CARTEL	1	1	1
89	CP053806	DECALCO	DECALQUE	ETIKETTE	DECAL	CARTEL	1	1	1
90	CP053713	DECALCO	DECALQUE	ETIKETTE	DECAL	CARTEL		1	1
91	CP053842	DECALCO	DECALQUE	ETIKETTE	DECAL	CARTEL	1	1	1
92	CP042216	BLOCCHETTO CAVO	ATTACHE CABLE FR	KABELBESCHWERE	CLIP	FIJADOR CABLE	1	1	1
93	CP050012	LAMA ALETTATA	LAME	MESSER	BLADE	CUCHILLA		OPTIONAL	

GT 50 S - GX 50 S - AK 50 S

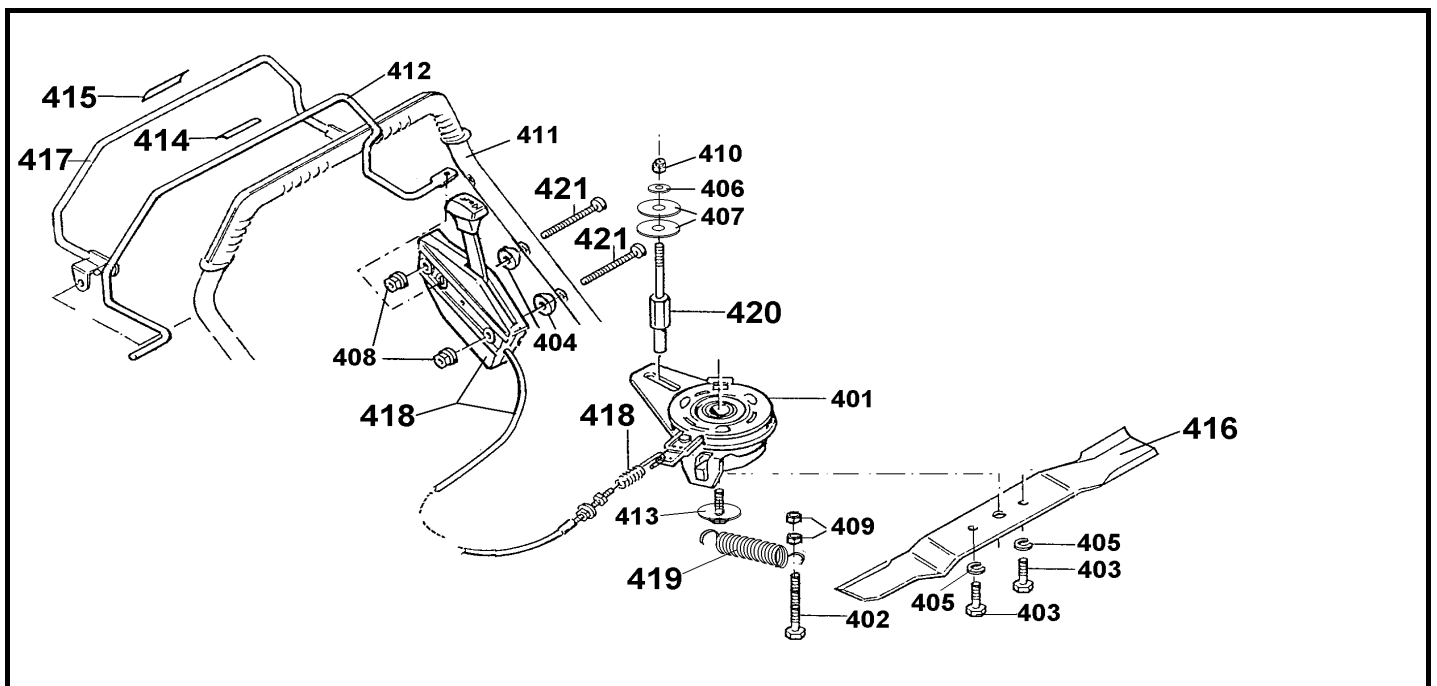
GX-AK



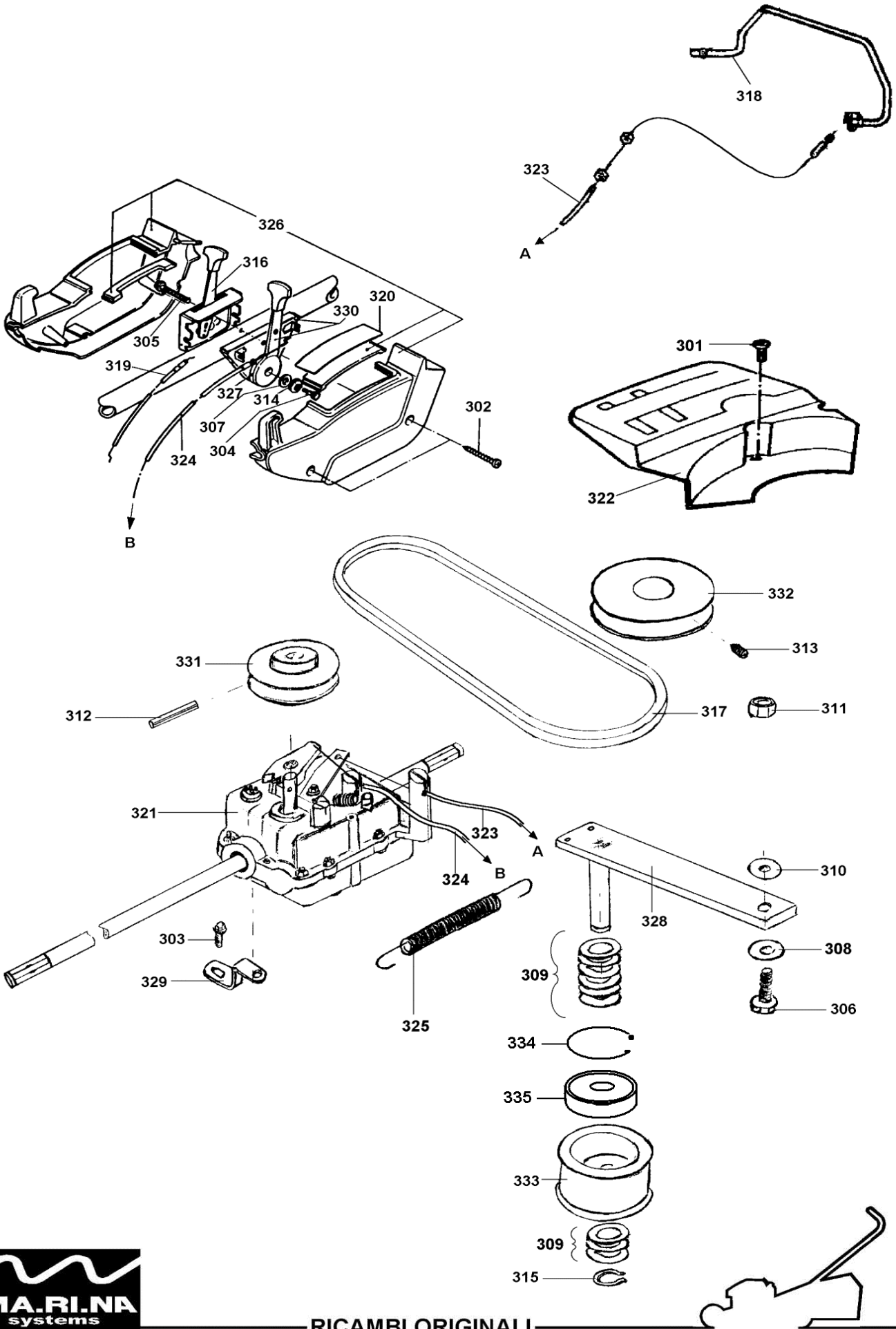
RICAMBI ORIGINALI

POS.	CODICE	I	F	D	GB	E	GT	GX	AK		
2	CP026332	VITE AUTOF.	VIS	SCHRAUBE	SCREW	TORNILLO	1	1	1		
3	CP025040	VITE AUTOF.	VIS	SCHRAUBE	SCREW	TORNILLO	2	2	2		
4	CP026016	VITE AUTOF.	VIS	SCHRAUBE	SCREW	TORNILLO	16	16	16		
6	CP030812	VITE TE	VIS	SCHRAUBE	SCREW	TORNILLO	1	1	1		
7	CP030825	VITE TE	VIS	SCHRAUBE	SCREW	TORNILLO	3	3	3		
8	CP030850	VITE TE	VIS	SCHRAUBE	SCREW	TORNILLO	1	1	1		
9	CP030855	VITE TE	VIS	SCHRAUBE	SCREW	TORNILLO	2	2	2		
10	CP030880	VITE TE	VIS	SCHRAUBE	SCREW	TORNILLO	1	1	1		
11	CP032813	RONDELLA	RONDELLE	SCHEIBE	WASHER	ARANDELA	2	2	2		
11	CP032913	RONDELLA	RONDELLE	SCHEIBE	WASHER	ARANDELA	4 X RUOTE CP047118.98 - CP057128.98				
12	CP032907	RONDELLA	RONDELLE	SCHEIBE	WASHER	ARANDELA	2	2	2		
13	CP032908	RONDELLA	RONDELLE	SCHEIBE	WASHER	ARANDELA	5	5	5		
14	CP032909	RONDELLA	RONDELLE	SCHEIBE	WASHER	ARANDELA	4	4	4		
16	CP032913	RONDELLA	RONDELLE	SCHEIBE	WASHER	ARANDELA	2	2	2		
17	CP034411	RIVETTO	RIVET	NIET	RIVET	CLAVO	2	2	2		
18	CP035905	RASAMENTO	RONDELLE	SCHEIBE	WASHER	ARANDELA	2	2	2		
19	CP037305	CHIAVETTA	CLAVETTE	SCHLÜSSELCHEN	WOODRUFF KEY	CHAVETA	2	2	2		
20	CP037406	CHIAVETTA	CLAVETTE	SCHLÜSSELCHEN	WOODRUFF KEY	CHAVETA	1	1	1		
22	CP038226	CUSCINETTO 12X26	ROULEMENT	KUGELLAGER	BALL BEARING	COJINETE	4	4	4		
22	CP038228	CUSCINETTO	ROULEMENT	KUGELLAGER	BALL BEARING	COJINETE	4 X RUOTE CP057128.98				
23	CP038227	CUSCINETTO 12X27	ROULEMENT	KUGELLAGER	BALL BEARING	COJINETE	4	4	4		
23	CP038228	CUSCINETTO	ROULEMENT	KUGELLAGER	BALL BEARING	COJINETE	4 X RUOTE CP047118.98				
24	CP038228	CUSCINETTO	ROULEMENT	KUGELLAGER	BALL BEARING	COJINETE	2	2	2		
25	CP040630	VITE TTQST	VIS	SCHRAUBE	SCREW	TORNILLO	1	1	1		
26	CP040850	VITE TTQST	VIS	SCHRAUBE	SCREW	TORNILLO	2	4	4		
27	CP040875	VITE TTQST	VIS	SCHRAUBE	SCREW	TORNILLO	2				
28	CP042216	BLOCCETTO CAVO	ATTACHE CABLE FR	KABELBESCHWERE	CLIP	FIJADOR CABLE	1	1	1		
29	CP042708	DADO	ÉCROU	MUTTER	KNOB	ESPARRAGO	2	2	2		
30	CP042805	DADO	ÉCROU	MUTTER	KNOB	ESPARRAGO	2	2	2		
31	CP042806	DADO	ÉCROU	MUTTER	KNOB	ESPARRAGO	3	3	3		
32	CP042808	DADO	ÉCROU	MUTTER	KNOB	ESPARRAGO	2	2	2		
33	CP044708	DADO	ÉCROU	MUTTER	KNOB	ESPARRAGO	9	9	9		
34	CP044906	DADO	ÉCROU	MUTTER	KNOB	ESPARRAGO	1	1	1		
35	CP045530	SPINA	GOUPILLE	DORN	PIN	PASADOR	1	1	1		
36	CP045722	TAPPO	COUVERCLE	KAPPE	CAP	TAPA	2				
37	CP045810	GRANO	VIS	SCHRAUBE	SCREW	TORNILLO	1	1	1		
39	CP045911	MOLLA A TAZZA	RONDELLE	SCHEIBE	WASHER	MUELLE	1	1	1		
40	CP046606	RITEGNO	CLIP	RÜCKHALT	RETAINER	ANILLO CLIP	1	1	1		
42	CP046812	SEEGER	SEEGER	RÜCKHALT	RETAINER	ANILLO CLIP	4	4	4		
43	CP046904	FERMO	CLIP	RÜCKHALT	RETAINER	ANILLO CLIP	2	2	2		
44	CP047042	MANICO SUP.	GUIDON	STIEL	HANDLE	MANILLAR		1	1		
45	CP047068	LEVA INNESTO	LEVIER EMBRAYAGE	STANGE	LEVER CLUTCH	LEVA		1	1		
46	CP047073	LEVA FRENO	LEVIER FREIN	STANGE	LEVER	LEVA		1	1		
47	CP047191	MOLLA	RESSORT	FEDER	SPRING	MUELLE	1	1	1		
48	CP047236	CAPPUCCIO	CACHE MOYEU	KAPPE	HOOD	POMO	1	1	1		
49	CP047250	COMANDO ACCELER	LEVIER	STANGE	THROTTLE LEVER	LEVA	1	1	1		
50	CP047267	PERNO	GOUJON	ZAPFEN	PIN	PERNO	1	1	1		
52	CP047832	CINGHIA Z 32	COURROIE	RIEMEN	BELT	CORREA	1	1	1		
53	CP050018	PARASASSI	DEFLECTEUR	DEFLEKTOR	REAR DOOR	DEFLECTOR	1	1	1		
54	CP050023	COPRICESTO NERO	COUVERCLE	GRASFANFSACKDE	BAG COVER	CARCASA	1				
55	CP050028	DEFLETTORE	DEFLECTEUR	DEFLEKTOR	DEFLECTOR	DEFLECTOR	1	1	1		
56	CP050033	MANICO INF.	GUIDON	STIEL	HANDLE	MANILLAR	1	1	1		
57	CP050043	MANICO SUP.	GUIDON	STIEL	HANDLE	MANILLAR	1				
58	CP050048	ASSALE ANT	AXE AVANT	VORDERACHSE	FRONT AXLE	EJE ANTERIOR		1	1		
59	CP050059	ASSALE POSTERIOR	AXE ARRIERE	HINTERACHSE	REAR AXLE	EJE POSTERIOR	1	1	1		
60	CP050068	LEVA INNESTO	LEVIER EMBRAYAGE	STANGE	LEVER CLUTCH	LEVA	1				
61	CP050073	LEVA FRENO	LEVIER FREIN	STANGE	LEVER	LEVA	1				
62	CP050078	TELAIO CESTO	ATTELAGE	GRASFANGRAHMEN	FRAME	ARMAZON SACO		1	1		
63	CP050083	TELA CESTO BIANCO	SAC RAMASSEUR	GRASFANGSACK	GRASS BAG	SACO TELA	1		1		
63	CP050083.05	TELA CESTO NERO	SAC RAMASSEUR	GRASFANGSACK	GRASS BAG	SACO TELA		1	1		
64	CP050106	RUOTA 180	ROUE	RAD	WHEEL	RUEDA		2	2		
64	CP050108	RUOTA 180	ROUE	RAD	WHEEL	RUEDA	2	<--- (fino a / till 12/2005)			
64	CP047118.98	RUOTA 180 PH ZINC	ROUE ACIER	VERZINKTES RAD	ZINC WHEEL	RUEDA ZINC	2	<--- (da / from 01/2006)			
65	CP050127	COPRIRUOTA 180	CACHE MOYEU	RADDECKUNG	HUB CAP	TAPA RUEDA	2 (da/from 04/2004 a/to 12/2005)				
65	CP050128	COPRIRUOTA 180	CACHE MOYEU	RADDECKUNG	HUB CAP	TAPA RUEDA	2 (fino a / till 04/2004)				
65	CP047133	COPRIRUOTA	CACHE MOYEU	RADDECKUNG	HUB CAP	TAPA RUEDA	2 (da / from 01/2006)				
66	CP050132	COPRIRUOTA 200-21	CACHE MOYEU	RADDECKUNG	HUB CAP	TAPA RUEDA	2 (da/from 04/2004 a/to 12/2005)				
66	CP050133	COPRIRUOTA 200-21	CACHE MOYEU	RADDECKUNG	HUB CAP	TAPA RUEDA	2 (fino a / till 04/2004)				
66	CP047133	COPRIRUOTA	CACHE MOYEU	RADDECKUNG	HUB CAP	TAPA RUEDA	2 (da / from 01/2006)				
67	CP050139	CAVO SEMOVENZA	CABLE D'EMBRYAGE	SELBSTBEWEGLICH	CABLE CLUTCH	CABLE TRACCION	1	1	1		
68	?-TAB-AC	CAVO ACCELERATO	CABLE GAZ	KABEL	CABLE	CABLE	1	1	1		
69	?-TAB-FR	CAVO FRENO	CABLE FREIN	KABEL	CABLE	CABLE	1	1	1		
70	CP050191	MOLLA	RESSORT	FEDER	SPRING	MUELLE	1	1	1		
71	CP050193	MOLLA PARASASSI	RESSORT	FEDER	SPRING	MUELLE	1	1	1		
72	CP050192	MOLLA PARASASSI	RESSORT	FEDER	SPRING	MUELLE	1	1	1		
73	CP050194	MOLLA	RESSORT	FEDER	SPRING	MUELLE	2	2	2		
74	CP050203	ASTINA	AXE PIVOT	STANGE	HINGE PIN	EJE DEFLECTOR	1	1	1		
75	CP050212	REGOLATORE MANI	REGLAGE DE GUIDO	STIELREGULATOR	HANDLE REGULATO	REGULADOR MANIL	4				
76	CP050214	COPRIRUOTA INTER	CACHE MOYEU	RADDECKUNG	HUB CAP	TAPA RUEDA	2	2	2		
77	CP050222	FERMACAVO	ATTACHE CABLE	KABELBESCHWERE	CLIP	FIJADOR CABLE	2	2	2		

POS.	CODICE	I	F	D	GB	E	GT
401	CP019222	FRENO FRIZIONE LAMA	EMBAYAGE LAME	MESSERKUPPLUNG	BLADE CLUTCH	EMBRAGUE CUCHILLA	1
402	CP030850	VITE TE	VIS	SCHRAUBE	SCREW	TORNILLO	1
403	CP031020	VITE	VIS	SCHRAUBE	SCREW	TORNILLO	2
404	CP032230	RONDELLA	RONDELLE	SCHEIBE	WASHER	ARANDELA	2
405	CP032710	RONDELLA GROWER	RONDELLE	SCHEIBE	WASHER	ARANDELA	2
406	CP032908	RONDELLA	RONDELLE	SCHEIBE	WASHER	ARANDELA	1
407	CP032909	RONDELLA	RONDELLE	SCHEIBE	WASHER	ARANDELA	2
408	CP042806	DADO	ÉCROU	MUTTER	KNOB	ESPARRAGO	2
409	CP042808	DADO	ÉCROU	MUTTER	KNOB	ESPARRAGO	2
410	CP044708	DADO	ÉCROU	MUTTER	KNOB	ESPARRAGO	1
411	CP050045	MANICO SUP. BBC	GUIDON	STIEL	HANDLE	MANILLAR	1
412	CP050074	LEVA FRENO BBC	LEVIER FREIN	STANGE	LEVER	LEVA	1
413	CP050937	VITE BBC	VIS BBC	SCHRAUBE BBC	SCREW BBC	TORNILLO BBC	1
414	CP053842	DECALCO	DECALQUE	ETIKETTE	DECAL	CARTEL	1
415	CP053843	DECALCO	DECALQUE	ETIKETTE	DECAL	CARTEL	1
416	CP050014	LAMA BBC	LAME	MESSER	BLADE	CUCHILLA	1
417	CP056069	LEVA SEMOVENZA BBC	LEVIER EMBRAYAGE	STANGE	LEVER CLUTCH	LEVA	1
418	CP056147	CAVO FRENO BBC	CABLE FREIN	KABEL	CABLE	CABLE	1
419	CP056191	MOLLA	RESSORT	FEDER	SPRING	MUELLE	1
420	CP056256	PERNO DI FERMO BBC	GOUJON	ZAPFEN	PIN	PERNO	1
421	CP060660	VITE	VIS	SCHRAUBE	SCREW	TORNILLO	2



GT 50 S 3 V

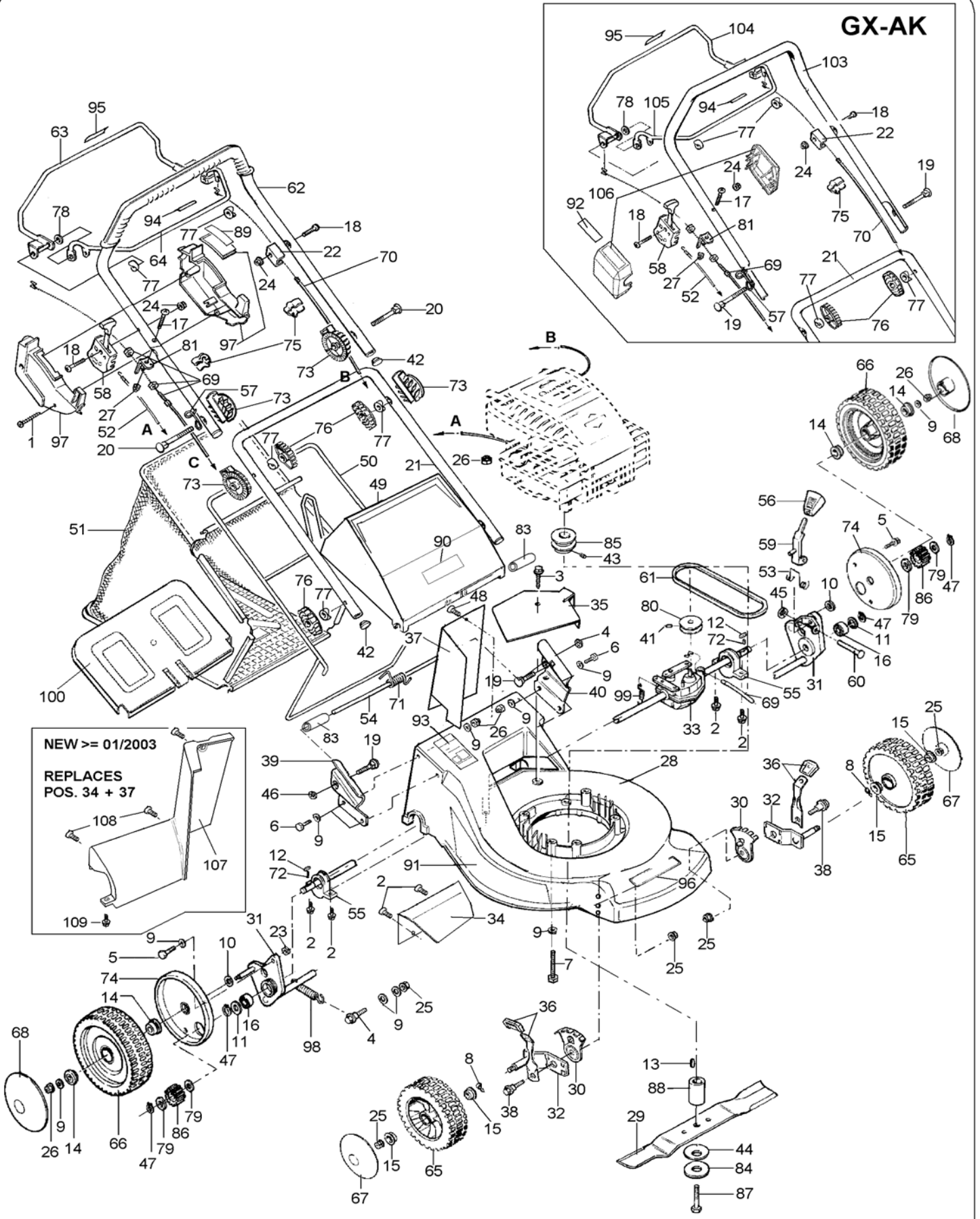


MA.RI.NA.

GT 50 S 3V

POS.	CODICE	I	F	D	GB	E	QTA'
301	CP026332	VITE AUTOF.	VIS	SCHRAUBE	SCREW	TORNILLO	1
302	CP025040	VITE AUTOF.	VIS	SCHRAUBE	SCREW	TORNILLO	2
303	CP026016	VITE AUTOF.	VIS	SCHRAUBE	SCREW	TORNILLO	1
304	CP030620	VITE TE	VIS	SCHRAUBE	SCREW	TORNILLO	1
305	CP030640	VITE TE	VIS	SCHRAUBE	SCREW	TORNILLO	1
306	CP030825	VITE TE	VIS	SCHRAUBE	SCREW	TORNILLO	1
307	CP032906	RONDELLA	RONDELLE	SCHEIBE	WASHER	ARANDELA	1
308	CP032909	RONDELLA	RONDELLE	SCHEIBE	WASHER	ARANDELA	1
309	CP032910	RONDELLA	RONDELLE	SCHEIBE	WASHER	ARANDELA	9
310	CP035805	RASAMENTO	RONDELLE	SCHEIBE	WASHER	ARANDELA	1
311	CP044708	DADO	ÉCROU	MUTTER	KNOB	ESPARRAGO	1
312	CP045525	SPINA	GOUPILLE	DORN	PIN	PASADOR	1
313	CP045810	GRANO	VIS	SCHRAUBE	SCREW	TORNILLO	1
314	CP045906	MOLLA A TAZZA	RONDELLE	SCHEIBE	WASHER	MUELLE	1
315	CP046810	SEEGER	SEEGER	RUCKHALT	RETAINER	ANILLO CLIP	1
316	CP047250	COMANDO ACCELERAT	LEVIER	STANGE	THROTTLE LEVER	LEVA	1
317	CP047834	CINGHIA Z 34 1/4 (OPT.)	COURROIE	RIEMEN	BELT	CORREA	1
318	CP050068	LEVA INNESTO	LEVIER EMBRAYAGE	STANGE	LEVER CLUTCH	LEVA	1
319	CP050143	CAVO ACCELERATORE	CABLE GAZ	BESCHLEUNIGER	THROTTLE CABLE	ACELERADOR	1
320	CP053711	DECALCO	DECALQUE	ETIKETTE	DECAL	CARTEL	1
321	CP056090	CAMBIO A 3 VELOCITA'	REDUCTEUR	UNTERSETZUNGGETRI	GEAR BOX 3 SPEED	TRANSMISION	1
322	CP050096	COPRICINGHIA	COUVERCLE COURROI	RIEMENSCHUTZ	BELT COVER	TAPA	1
323	CP056138	CAVO SEMOVENZA	CABLE D'EMBAYAGE	SELBSTBEWEGLICHKA	CABLE CLUTCH	CABLE TRACCION	1
324	CP056154	CAVO CAMBIO	CABLE	KABEL	CABLE	CABLE	1
325	CP050195	MOLLA	RESSORT	FEDER	SPRING	MUELLE	1
326	CP056225	SCATOLA	BOITE	GETRIEBE	GEAR BOX	CAJA	1
327	CP056238	RONDELLA	RONDELLE	SCHEIBE	WASHER	ARANDELA	1
328	CP056247	LEVA	LEVIER	STANGE	LEVER	LEVA	1
329	CP056249	SQUADRETTA	EQUARRE	WINKELMASS	BRACKET	ABRAZDERA	1
330	CP056250	COMANDO VARIATORE	MANETTE	STANGE	LEVER	LEVA	1
331	CP056261	PULEGGIA RIDUTTORE	POULIE	RIEMENSCHNEIBE	PULLEY	POLEA	1
332	CP056262	PULEGGIA Ø 88	POULIE Ø 88	RIEMENSCHNEIBE Ø 88	PULLEY Ø 88	POLEA Ø 88	1
333	CP058260	PULEGGIA TENDICINGH	POULIE	RIEMENSCHNEIBE	PULLEY	POLEA	1
334	CP046730	SEEGER	SEEGER	RUCKHALT	RETAINER	ANILLO CLIP	1
335	CP038030	CUSCINETTO	ROULEMENT	KUGELLAGER	BALL BEARING	COJINETE	1

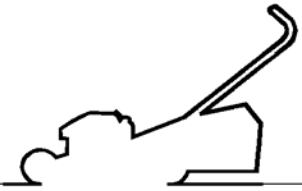
GT 51 S - GX 51 S - AK 51 S



NEW >= 01/2003
REPLACES
POS. 34 + 37



RICAMBI ORIGINALI



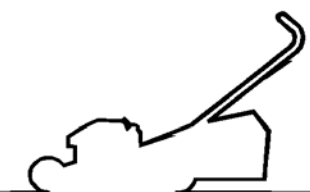
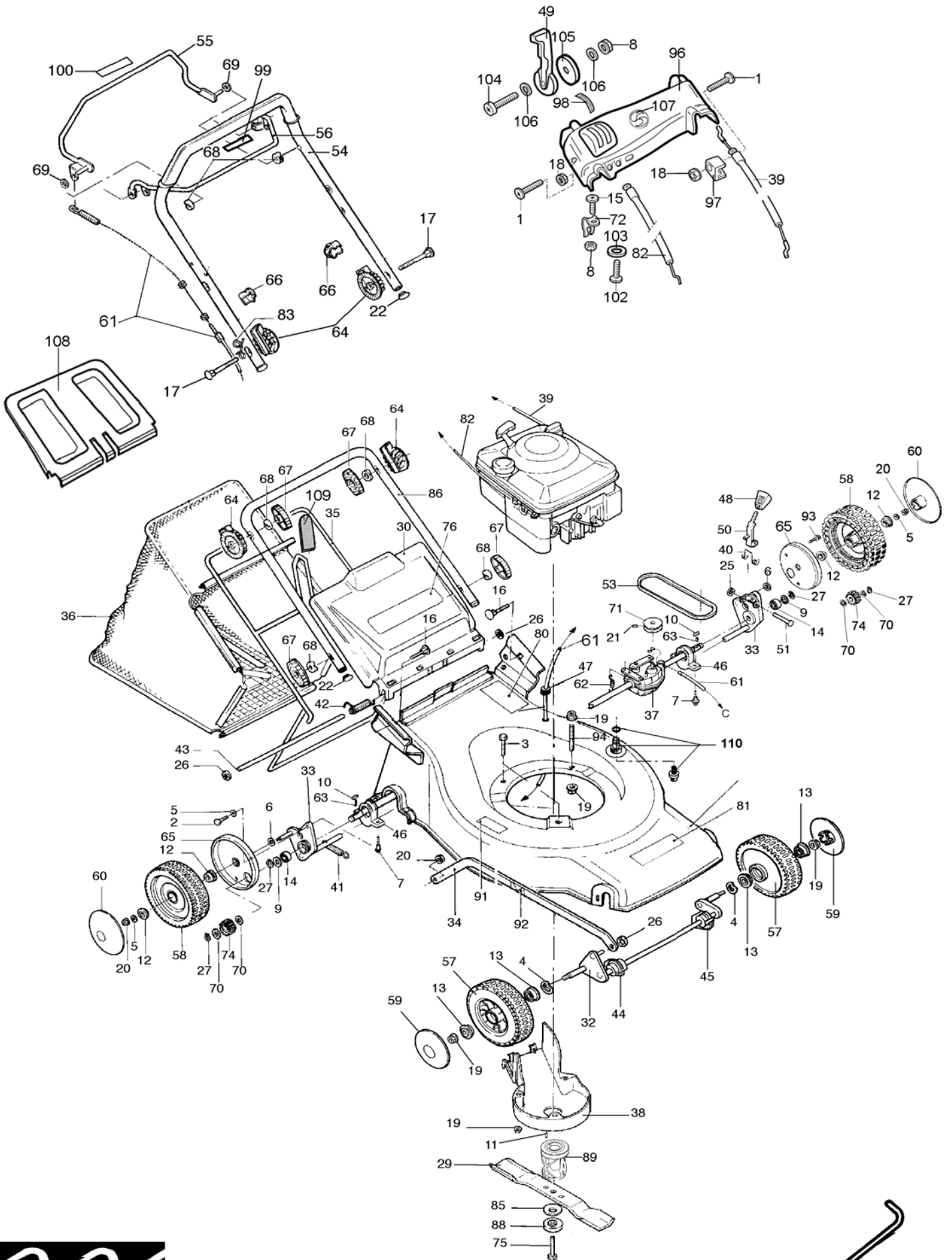
POS.	CODICE	I	F	D	GB	E	GT 51	GX 51	AK 51
1	CP025040	VITE AUTOF.	VIS	SCHRAUBE	SCREW	TORNILLO	2	2	2
2	CP026016	VITE AUTOF.	VIS	SCHRAUBE	SCREW	TORNILLO	6	6	6
3	CP026332	VITE AUTOF.	VIS	SCHRAUBE	SCREW	TORNILLO	1	1	1
4	CP042268	VITE	VIS	SCHRAUBE	SCREW	TORNILLO	1	1	1
5	CP030816	VITE TE	VIS	SCHRAUBE	SCREW	TORNILLO	2	2	2
6	CP030820	VITE TE	VIS	SCHRAUBE	SCREW	TORNILLO	4	4	4
7	CP030890	VITE TE	VIS	SCHRAUBE	SCREW	TORNILLO	3	3	3
7	CP030912	VITE TE M8X120	VIS	SCHRAUBE	SCREW	TORNILLO	1	1	1
8	CP032813	RONDELLA	RONDELLE	SCHEIBE	WASHER	ARANDELA	2	2	2
8	CP032913	RONDELLA	RONDELLE	SCHEIBE	WASHER	ARANDELA	4 X RUOTE CP047118.98 - CP057128.98		
9	CP032908	RONDELLA	RONDELLE	SCHEIBE	WASHER	ARANDELA	11	11	11
10	CP032913	RONDELLA	RONDELLE	SCHEIBE	WASHER	ARANDELA	2	2	2
11	CP035905	RASAMENTO	RONDELLE	SCHEIBE	WASHER	ARANDELA	2	2	2
12	CP037305	CHIAVETTA	CLAVETTE	SCHLÜSSELCHEN	WOODRUFF KEY	CHAVETA	2	2	2
13	CP037406	CHIAVETTA	CLAVETTE	SCHLÜSSELCHEN	WOODRUFF KEY	CHAVETA	1	1	1
14	CP038226	CUSCINETTO 12X26	ROULEMENT	KUGELLAGER	BALL BEARING	COJINETE	4	4	4
14	CP038228	CUSCINETTO	ROULEMENT	KUGELLAGER	BALL BEARING	COJINETE	4 X RUOTE CP057128.98		
15	CP038227	CUSCINETTO 12X27	ROULEMENT	KUGELLAGER	BALL BEARING	COJINETE	4	4	4
15	CP038228	CUSCINETTO	ROULEMENT	KUGELLAGER	BALL BEARING	COJINETE	4 X RUOTE CP047118.98		
16	CP038228	CUSCINETTO	ROULEMENT	KUGELLAGER	BALL BEARING	COJINETE	2	2	2
17	CP040630	VITE TTQST	VIS	SCHRAUBE	SCREW	TORNILLO	1	1	1
18	CP060640	VITE TC	VIS	SCHRAUBE	SCREW	TORNILLO	2	2	2
19	CP040850	VITE TTQST	VIS	SCHRAUBE	SCREW	TORNILLO	2	4	4
20	CP040875	VITE TTQST	VIS	SCHRAUBE	SCREW	TORNILLO	2		
21	CP047034	MANICO INF.	GUIDON	STIEL	HANDLE	MANILLAR	1	1	1
22	CP042216	BLOCCETTO CAVO	ATTACHE CABLE FR	KABELBESCHWERE	CLIP	FIJADOR CABLE	1	1	1
23	CP042708	DADO	ÉCROU	MUTTER	KNOB	ESPARRAGO	1	1	1
24	CP042806	DADO	ÉCROU	MUTTER	KNOB	ESPARRAGO	2	2	2
25	CP042808	DADO	ÉCROU	MUTTER	KNOB	ESPARRAGO	5	5	5
26	CP044708	DADO	ÉCROU	MUTTER	KNOB	ESPARRAGO	9	9	9
27	CP044906	DADO	ÉCROU	MUTTER	KNOB	ESPARRAGO	1	1	1
28	CP051001	CHASSIS VERDE	CARTER	GEHÄUSE	DECK	CHASIS	1		
28	CP051001.02	CHASSIS ROSSO	CARTER	GEHÄUSE	DECK	CHASIS		1	
28	CP051001.03	CHASSIS ARGENTO	CARTER	GEHÄUSE	DECK	CHASIS			1
29	CP051013	LAMA	LAME	MESSER	BLADE	CUCHILLA	1	1	1
30	CP042245	SETTORE	SECTEUR	PLATTE	SECTOR	PLACA ALTURAS	2	2	2
31	CP053058	ASSALE POS	AXE ARRIERE	HINTERACHSE	REAR AXLE	EJE POSTERIOR	1	1	1
32	CP042248	SUPPORTO	SUPPORT	ACHSELAGER	SUPPORT	SOPORTE	2	2	2
33	CP051088	RIDUTTORE TR 51	REDUCTEUR	UNTERSETZUNGGE	GEAR BOX ASSY	TRANSMISION	1	1	1
34	CP051094	DEFLETTORE	DEFLECTEUR	DEFLEKTOR	DEFLECTOR	DEFLECTOR	REPLACED BY CP051095		
35	CP051098	COPRICINGHIA	COUVERCLE COUR	RIEMENSCHUTZ	BELT COVER	TAPA	1	1	1
36	CP042250	LEVA ALZO	LEVIER	STANGE	LEVER	LEVA ALTURAS	2	2	2
37	CP051092	CARTER POSTERIO	CARTER	SCHUTZ	METAL SHIELD	PROTECCION	REPLACED BY CP051095		
38	CP051266	VITE	VIS	SCHRAUBE	SCREW	TORNILLO	2	2	2
39	CP051268	PIASTRA	PLAQUE	PLÄTTCHEN	PLATE	PLANCHA	1	1	1
40	CP051269	PIASTRA	PLAQUE	PLÄTTCHEN	PLATE	PLANCHA	1	1	1
41	CP045530	SPINA	GOUPILLE	DORN	PIN	PASADOR	1	1	1
42	CP045722	TAPPO	COUVERCLE	KAPPE	CAP	TAPA	4	2	2
43	CP045810	GRANO	VIS	SCHRAUBE	SCREW	TORNILLO	1	1	1
44	CP045911	MOLLA A TAZZA	RONDELLE	SCHEIBE	WASHER	MUELLE	1	1	1
45	CP046606	RITEGNO	CLIP	RÜCKHALT	RETAINER	ANILLO CLIP	1	1	1
46	CP046607	RITEGNO	CLIP	RÜCKHALT	RETAINER	ANILLO CLIP	2	2	2
47	CP046812	SEEGER	SEEGER	RUCKHALT	RETAINER	ANILLO CLIP	4	4	4
48	CP060515	VITE TC	VIS	SCHRAUBE	SCREW	TORNILLO	2	2	2
49	CP051018	PARASASSI	DEFLECTEUR	DEFLEKTOR	REAR DOOR	DEFLECTOR	1	1	1
50	CP051078	TELAIO CESTO	ATTELAGE	GRASFANGARMEN	FRAME	ARMAZON SACO	1	1	1
51	CP051083	TELA CESTO BIANCO	SAC RAMASSEUR	GRASFANGSACK	GRASS BAG	SACO TELA	1		1
51	CP051083.05	TELA CESTO NERO	SAC RAMASSEUR	GRASFANGSACK	GRASS BAG	SACO TELA		1	
52	?-TAB-AC	CAVO ACCELERATO	CABLE GAZ	KABEL	CABLE	CABLE	1	1	1
53	CP047191	MOLLA	RESSORT	FEDER	SPRING	MUELLE	1	1	1
54	CP045203	ASTINA	AXE PIVOT	STANGE	HINGE PIN	EJE DEFLECTOR	1	1	1
55	CP047215	SUPPORTO ASSALE	SUPPORT	ACHSELAGER	SUPPORT	SOPORTE	2	2	2
56	CP047236	CAPPUCCIO	CACHE MOYEU	KAPPE	HOOD	POMO	1	1	1
57	CP047242	GANCIO FUNE AVV.	PORTE CABLE	KABELHALTER	CABLE SUPPORT	FIJADOR CABLE	1	1	1
58	CP047250	COMANDO ACCELE	LEVIER	STANGE	THRITTLE LEVER	LEVA	1	1	1
59	CP047254	LEVA ALZO	LEVIER	STANGE	LEVER	LEVA ALTURAS	1	1	1
60	CP047267	PERNO	GOUJON	ZAPFEN	PIN	PERNO	1	1	1
61	CP047829	CINGHIA Z 29 1/2	COURROIE	RIEMEN	BELT	CORREA	1	1	1
62	CP050043	MANICO SUP.	GUIDON	STIEL	HANDLE	MANILLAR	1		
63	CP050068	LEVA INNESTO	LEVIER EMBRAYAGE	STANGE	LEVER CLUTCH	LEVA	1		
64	CP050073	LEVA FRENO	LEVIER FREIN	STANGE	LEVER	LEVA	1		
65	CP050106	RUOTA 180	ROUE	RAD	WHEEL	RUEDA		2	2
65	CP050108	RUOTA 180	ROUE	RAD	WHEEL	RUEDA	2	<--- (fino a / till 12/2005)	
65	CP047118.98	RUOTA 180 PH ZINCO	ROUE ACIER	VERZINKTES RAD	ZINC WHEEL	RUEDA ZINC	2	<--- (da / from 01/2006)	
66	CP056116	RUOTA 230	ROUE	RAD	WHEEL	RUEDA	2	2	2
66	CP056118	RUOTA 230	ROUE	RAD	WHEEL	RUEDA	2	<--- (fino a / till 12/2005)	
66	CP057128.98	RUOTA 235T PH ZINCO	ROUE ACIER	VERZINKTES RAD	ZINC WHEEL	RUEDA ZINC	2	<--- (da / from 01/2006)	
67	CP050127	COPRIRUOTA 180	CACHE MOYEU	RADDECKUNG	HUB CAP	TAPA RUEDA	2 (da/ from 04/2004 a/ to 12/2005)		
67	CP050128	COPRIRUOTA 180	CACHE MOYEU	RADDECKUNG	HUB CAP	TAPA RUEDA	2 (fino a / till 04/2004)		

MA.RI.NA.

GT 51 S - GX 51 S - AK 51 S

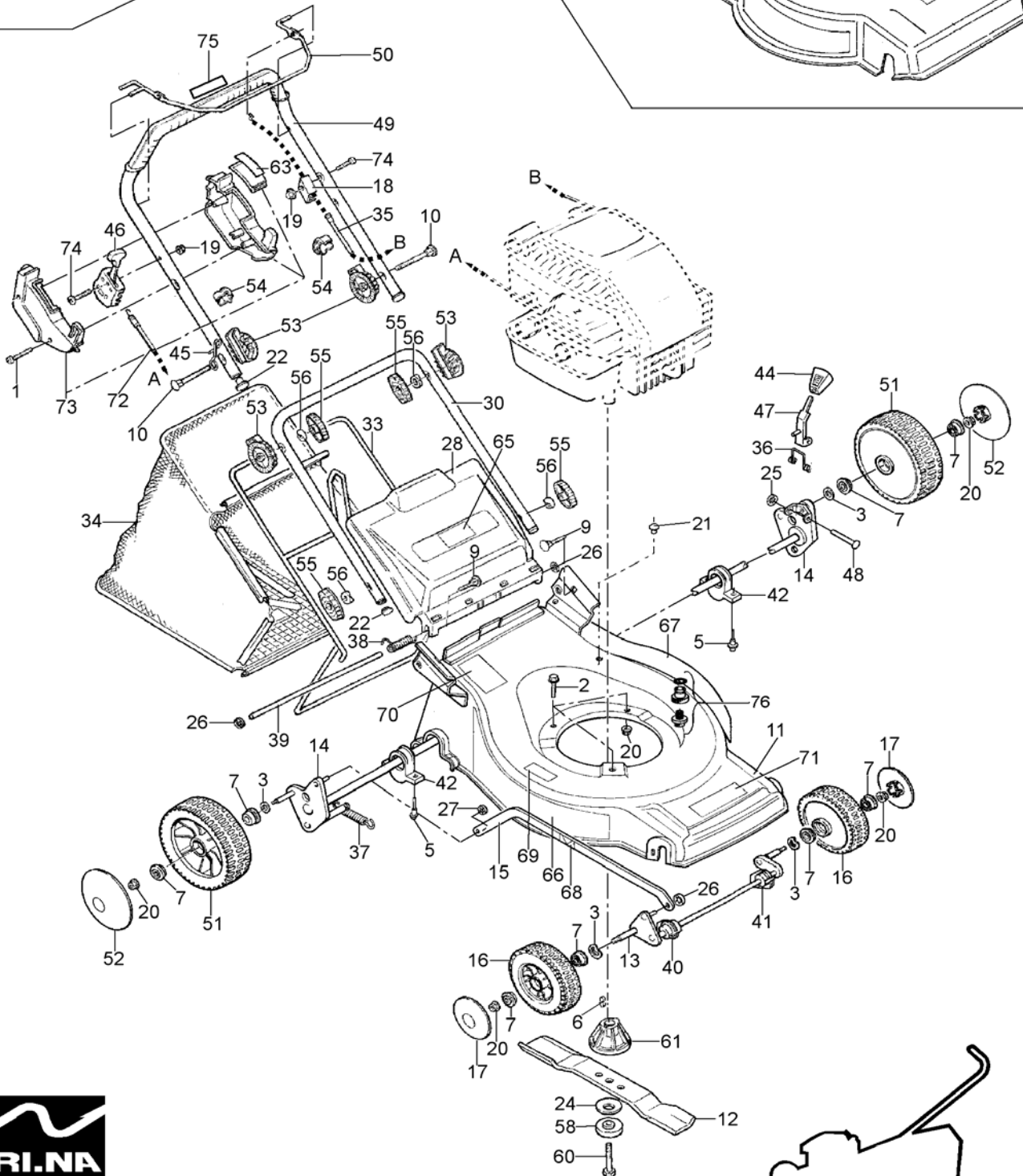
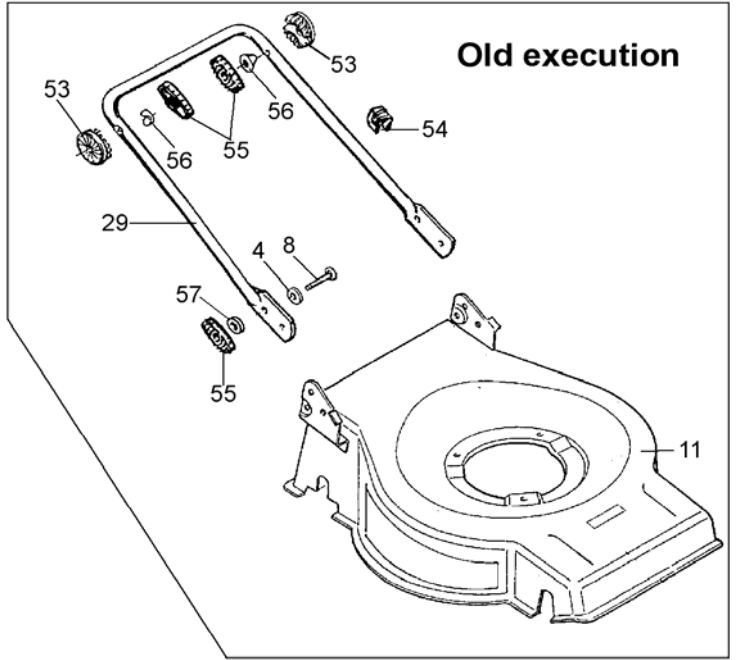
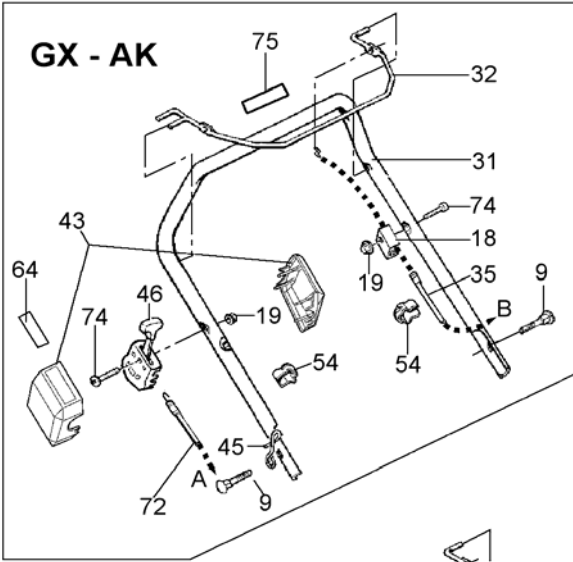
POS.	CODICE	I	F	D	GB	E	GT 51	GX 51	AK 51
67	CP047133	COPRIRUOTA	CACHE MOYEU	RADDECKUNG	HUB CAP	TAPA RUEDA	2 (da / from 01/2006)		
68	CP050132	COPRIRUOTA 200-21	CACHE MOYEU	RADDECKUNG	HUB CAP	TAPA RUEDA	2 (da/from 04/2004 a/to 12/2005)		
68	CP050133	COPRIRUOTA 200-21	CACHE MOYEU	RADDECKUNG	HUB CAP	TAPA RUEDA	2 (fino a / till 04/2004)		
68	CP047133	COPRIRUOTA	CACHE MOYEU	RADDECKUNG	HUB CAP	TAPA RUEDA	2 (da / from 01/2006)		
69	CP050139	CAVO SEMOVENZA	CABLE D'EMBRAYAGE	SELBSTBEWEGLICH	CABLE CLUTCH	CABLE TRACCION	1	1	1
70	?-TAB-FR	CAVO FRENO	CABLE FREIN	KABEL	CABLE	CABLE	1	1	1
71	CP051193	MOLLA PARASASSI	RESSORT	FEDER	SPRING	MUELLE	1	1	1
72	CP050194	MOLLA	RESSORT	FEDER	SPRING	MUELLE	2	2	2
73	CP050212	REGOLATORE MANIL	REGLAGE DE GUIDO	STIELREGULATOR	HANDLE REGULATO	REGULADOR MANIL	4		
74	CP050214	COPRIRUOTA INTER	CACHE MOYEU	RADDECKUNG	HUB CAP	TAPA RUEDA	2	2	2
75	CP050222	FERMACAVO	ATTACHE CABLE	KABELBESCHWERE	CLIP	FIJADOR CABLE	2	2	2
76	CP050228	POMOLO MANICO	ÉCROU	GRIFF	KNOB HANDLE	POMO MANILLAR	4	4	4
77	CP050230	RONDELLA	RONDELLE	SCHEIBE	WASHER	ARANDELA	6	6	6
78	CP050234	RONDELLA	RONDELLE	SCHEIBE	WASHER	ARANDELA	2	2	2
79	CP050238	RONDELLA	RONDELLE	SCHEIBE	WASHER	ARANDELA	4	4	4
80	CP050241	PULEGGIA D.60	POULIE	RIEMENSCHLEIBE	PULLEY	POLEA	1	1	1
81	CP050243	STAFFETTA REGIST	EQUARRE	WINKELMASS	BRACKET	ABRAZDERA CABLE	1	1	1
82	CP032909	RONDELLA	RONDELLE	SCHEIBE	WASHER	ARANDELA	2	2	2
83	CP051236	DISTANZIALE	BOUCLE	BÜCHSE	BUSH	DISTANCIADOR	2	2	2
84	CP053250	RONDELLA	RONDELLE	SCHEIBE	WASHER	ARANDELA	1	1	1
85	CP050262	PULEGGIA MOTORE	POULIE	RIEMENSCHLEIBE	PULLEY	POLEA	1	1	1
86	CP050298	INGRANAGGIO	PIGNON	GETRIEBE	PINION	ENGRANAJE	2	2	2
87	CP050976	VITE LAMA	VIS	SCHRAUBE	SCREW	TORNILLO	1	1	1
88	CP050272	MOZZO LAMA 22	PORTE LAME	MESSERHALTER	BLADE ADAPTOR	PORTA CUCHILLA	1	1	1
89	CP053710	DECALCO	DECALQUE	ETIKETTE	DECAL	CARTEL	1	1	1
90	CP053715	DECALCO	DECALQUE	ETIKETTE	DECAL	CARTEL	1	1	1
91	CP053739	DECALCO	DECALQUE	ETIKETTE	DECAL	CARTEL	1	1	1
92	CP053713	DECALCO	DECALQUE	ETIKETTE	DECAL	CARTEL		1	1
93	CP053813	DECALCO	DECALQUE	ETIKETTE	DECAL	CARTEL	1	1	1
94	CP053842	DECALCO	DECALQUE	ETIKETTE	DECAL	CARTEL	1	1	1
95	CP053843	DECALCO	DECALQUE	ETIKETTE	DECAL	CARTEL	1	1	1
96	CP053849	DECALCO AKITA	DECALQUE	ETIKETTE	DECAL	CARTEL			1
96	CP053860	DECALCO GREENTE	DECALQUE	ETIKETTE	DECAL	CARTEL	1		
96	CP053861	DECALCO GALAXY	DECALQUE	ETIKETTE	DECAL	CARTEL		1	
97	CP056226	COPRIACCELERATO	COUVERCLE	DECKEL	COVER	COPA PROTECTORA	1		
98	CP047192	MOLLA	RESSORT	FEDER	SPRING	MUELLE	1	1	1
99	CP050191	MOLLA	RESSORT	FEDER	SPRING	MUELLE	1	1	1
100	CP053024	COPRICESTO NERO	COUVERCLE	GRASFANFSACKDE	BAG COVER	CARCASA	1		
103	CP047042	MANICO SUP.	GUIDON	STIEL	HANDLE	MANILLAR		1	1
104	CP047068	LEVA INNESTO	LEVIER EMBRAYAGE	STANGE	LEVER CLUTCH	LEVA		1	1
105	CP047073	LEVA FRENO	LEVIER FREIN	STANGE	LEVER	LEVA		1	1
106	CP047220	COPRIACCELERATO	COUVERCLE	DECKEL	COVER	COPA PROTECTORA		1	1
107	CP051095	CARTER POSTERIO	CARTER	SCHUTZ	METAL SHIELD	PROTECCION	1	1	1
108	CP025015	VITE AUTOF.	VIS	SCHRAUBE	SCREW	TORNILLO	3	3	3
109	CP026025	VITE AUTOF.	VIS	SCHRAUBE	SCREW	TORNILLO	1	1	1

MX 52 S



POS.	CODICE	I	F	D	GB	E	Q.tà
1	CP030640	VITE TE	VIS	SCHRAUBE	SCREW	TORNILLO	2
2	CP030825	VITE TE	VIS	SCHRAUBE	SCREW	TORNILLO	1
3	CP030845	VITE TE	VIS	SCHRAUBE	SCREW	TORNILLO	2
4	CP032813	RONDELLA	RONDELLE	SCHEIBE	WASHER	ARANDELA	2
4	CP032913	RONDELLA	RONDELLE	SCHEIBE	WASHER	ARANDELA	4 X RUOTE CP047118.98 - CP053128.98
5	CP032908	RONDELLA	RONDELLE	SCHEIBE	WASHER	ARANDELA	5
6	CP032913	RONDELLA	RONDELLE	SCHEIBE	WASHER	ARANDELA	2
7	CP034615	RIVETTO	RIVET	NIET	RIVET	CLAVO	4
8	CP044906	DADO	ÉCROU	MUTTER	KNOB	ESPARRAGO	2
9	CP035905	RASAMENTO	RONDELLE	SCHEIBE	WASHER	ARANDELA	2
10	CP037305	CHIAVETTA	CLAVETTE	SCHLÜSSELCHEN	WOODRUFF KEY	CHAVETA	2
11	CP037406	CHIAVETTA	CLAVETTE	SCHLÜSSELCHEN	WOODRUFF KEY	CHAVETA	1 (fino a/till 05/2003)
12	CP038226	CUSCINETTO 12X26	ROULEMENT	KUGELLAGER	BALL BEARING	COJINETE	4
12	CP038228	CUSCINETTO	ROULEMENT	KUGELLAGER	BALL BEARING	COJINETE	4 X RUOTE CP053128.98
13	CP038227	CUSCINETTO 12X27	ROULEMENT	KUGELLAGER	BALL BEARING	COJINETE	4
13	CP038228	CUSCINETTO	ROULEMENT	KUGELLAGER	BALL BEARING	COJINETE	4 X RUOTE CP047118.98
14	CP038228	CUSCINETTO	ROULEMENT	KUGELLAGER	BALL BEARING	COJINETE	2
15	CP040630	VITE TTQST	VIS	SCHRAUBE	SCREW	TORNILLO	1
16	CP040850	VITE TTQST	VIS	SCHRAUBE	SCREW	TORNILLO	2
17	CP040875	VITE TTQST	VIS	SCHRAUBE	SCREW	TORNILLO	2
18	CP042806	DADO	ÉCROU	MUTTER	KNOB	ESPARRAGO	3
19	CP042808	DADO	ÉCROU	MUTTER	KNOB	ESPARRAGO	9
20	CP044708	DADO	ÉCROU	MUTTER	KNOB	ESPARRAGO	3
21	CP045530	SPINA	GOUPILLE	DORN	PIN	PASADOR	1
22	CP045722	TAPPO	COUVERCLE	KAPPE	CAP	TAPA	4
25	CP046606	RITEGNO	CLIP	RÜCKHALT	RETAINER	ANILLO CLIP	1
26	CP046607	RITEGNO	CLIP	RÜCKHALT	RETAINER	ANILLO CLIP	3
27	CP046812	SEEGER	SEEGER	RUCKHALT	RETAINER	ANILLO CLIP	4
28	CP052001.90	CHASSIS INOX	CARTER	GEHÄUSE	DECK	CHASIS	1
29	CP053013	LAMA	LAME	MESSER	BLADE	CUCHILLA	1
30	CP047018.23	PARASASSI ARGENTO	DEFLECTEUR	DEFLEKTOR	REAR DOOR	DEFLECTÓR	1
32	CP053048	ASSALE ANT	AXE AVANT	VORDERACHSE	FRONT AXLE	EJE ANTERIOR	1
33	CP053058	ASSALE POS	AXE ARRIERE	HINTERACHSE	REAR AXLE	EJE POSTERIOR	1
34	CP053063	TIRANTE ASSALE	BARRE	GESTÄNGE	LINK ROD	TIRANTE EJE	1
35	CP053078	TELAIO CESTO	ATTELAGE	GRASFANGRAHMEN	FRAME	ARMAZON SACO	1
36	CP053083	TELA CESTO BIANCA	SAC RAMASSEUR	GRASFANGSACK	GRASS BAG	SACO TELA	1
37	CP053088	RIDUTTORE TR 53	REDUCTEUR	UNTERSETZUNGGETRI	GEAR BOX ASSY	TRANSMISION	1
38	CP047096	COPRICINGHIA	COUVERCLE COURROI	RIEMENSCHUTZ	BELT COVER	TAPA	1
39	?-TAB-FR	CAVO FRENO	CABLE FREIN	KABEL	CABLE	CABLE	1
40	CP047191	MOLLA	RESSORT	FEDER	SPRING	MUELLE	1
41	CP047192	MOLLA	RESSORT	FEDER	SPRING	MUELLE	1
42	CP050192	MOLLA PARASASSI	RESSORT	FEDER	SPRING	MUELLE	1
43	CP053203	ASTINA	AXE PIVOT	STANGE	HINGE PIN	EJE DEFLECTÓR	1
44	CP047212	SUPPORTO ASSALE	SUPPORT	ACHSELAGER	SUPPORT	SOPORTE	1
45	CP047213	SUPPORTO ASSALE	SUPPORT	ACHSELAGER	SUPPORT	SOPORTE	1
46	CP047215	SUPPORTO ASSALE	SUPPORT	ACHSELAGER	SUPPORT	SOPORTE	2
47	CP047217	PASSACAVO	JOINTE	RING	RING	ANILLO	1
48	CP047236	CAPPUCCIO	CACHE MOYEU	KAPPE	HOOD	POMO	1
49	CP050224	LEVA DI COMANDO	LEVIER	STANGE	LEVER	LEVA	1
50	CP047255	LEVA ALZO	LEVIER	STANGE	LEVER	LEVA ALTURAS	1
51	CP047267	PERNO	GOUJON	ZAPFEN	PIN	PERNO	1
53	CP047829	CINGHIA Z 29 1/2	COURROIE	RIEMEN	BELT	CORREA	1
54	CP050043	MANICO SUP.	GUIDON	STIEL	HANDLE	MANILLAR	1
55	CP050068	LEVA INNESTO	LEVIER EMBRAYAGE	STANGE	LEVER CLUTCH	LEVA	1
56	CP050073	LEVA FRENO	LEVIER FREIN	STANGE	LEVER	LEVA	1
57	CP050108	RUOTA 180	ROUE	RAD	WHEEL	RUEDA	2 (fino a / till 12/2005)
57	CP047118.98	RUOTA 180 PH ZINCAT	ROUE ACIER	VERZINKTES RAD	ZINC WHEEL	RUEDA ZINC	2 (da / from 01/2006)
58	CP050118	RUOTA 200	ROUE	RAD	WHEEL	RUEDA	2 (fino a / till 12/2005)
58	CP053128.98	RUOTA 200 PH ZINCA	ROUE ACIER	VERZINKTES RAD	ZINC WHEEL	RUEDA ZINC	2 (da / from 01/2006)
59	CP050127.23	COPRIRUOTA 180	CACHE MOYEU	RADDECKUNG	HUB CAP	TAPA RUEDA	2 (da/from 04/2004 a/to 12/2005)
59	CP050128.23	COPRIRUOTA 180	CACHE MOYEU	RADDECKUNG	HUB CAP	TAPA RUEDA	2 (fino a / till 04/2004)
59	CP047133	COPRIRUOTA	CACHE MOYEU	RADDECKUNG	HUB CAP	TAPA RUEDA	2 (da / from 01/2006)
60	CP050132.23	COPRIRUOTA 200-230	CACHE MOYEU	RADDECKUNG	HUB CAP	TAPA RUEDA	2 (da/from 04/2004 a/to 12/2005)
60	CP050133.23	COPRIRUOTA 200-230	CACHE MOYEU	RADDECKUNG	HUB CAP	TAPA RUEDA	2 (fino a / till 04/2004)
60	CP047133	COPRIRUOTA	CACHE MOYEU	RADDECKUNG	HUB CAP	TAPA RUEDA	2 (da / from 01/2006)
61	CP050139	CAVO SEMOVENZA	CABLE D'EMBAYAGE	SELBSTBEWEGLICHKA	CABLE CLUTCH	CABLE TRACCION	1
62	CP050191	MOLLA	RESSORT	FEDER	SPRING	MUELLE	1
63	CP050194	MOLLA	RESSORT	FEDER	SPRING	MUELLE	2
64	CP050212	REGOLATORE MANICO	REGLAGE DE GUIDON	STIELREGULATOR	HANDLE REGULATOR	REGULADOR MANILLAR	4
65	CP050214	COPRIRUOTA INTERN	CACHE MOYEU	RADDECKUNG	HUB CAP	TAPA RUEDA	2
66	CP050222	FERMACAVO	ATTACHE CABLE	KABELBESCHWERER	CLIP	FIJADOR CABLE	2
67	CP050228	POMOLO MANICO	ÉCROU	GRIFF	KNOB HANDLE	POMO MANILLAR	4
68	CP050230	RONDELLA	RONDELLE	SCHEIBE	WASHER	ARANDELA	6
69	CP050234	RONDELLA	RONDELLE	SCHEIBE	WASHER	ARANDELA	2
70	CP050238	RONDELLA	RONDELLE	SCHEIBE	WASHER	ARANDELA	4
71	CP050240	PULEGGIA D.55	POULIE	RIEMENSCHLEIBE	PULLEY	POLEA	1
72	CP050243	STAFFETTA REGISTRO	EQUARRE	WINKELMASS	BRACKET	ABRAZDERA CABLE	1
74	CP050298	INGRANAGGIO	PIGNON	GETRIEBE	PINION	ENGRANAJE	2
75	CP050965	VITE LAMA 10.9	VIS 10.9	SCHRAUBE 10.9	SCREW 10.9	TORNILLO 10.9	1
76	CP053715	DECALCO	DECALQUE	ETIKETTE	DECAL	CARTEL	1
80	CP053813	DECALCO	DECALQUE	ETIKETTE	DECAL	CARTEL	1
81	CP053908	DECALCO MARINOX	DECALQUE	ETIKETTE	DECAL	CARTEL	1
82	?-TAB-AC	CAVO ACCELERATORE	CABLE GAZ	KABEL	CABLE	CABLE	1
83	CP047242	GANCIO FUNE AVV.	PORTE CABLE	KABELHALTER	CABLE SUPPORT	FIJADOR CABLE	1

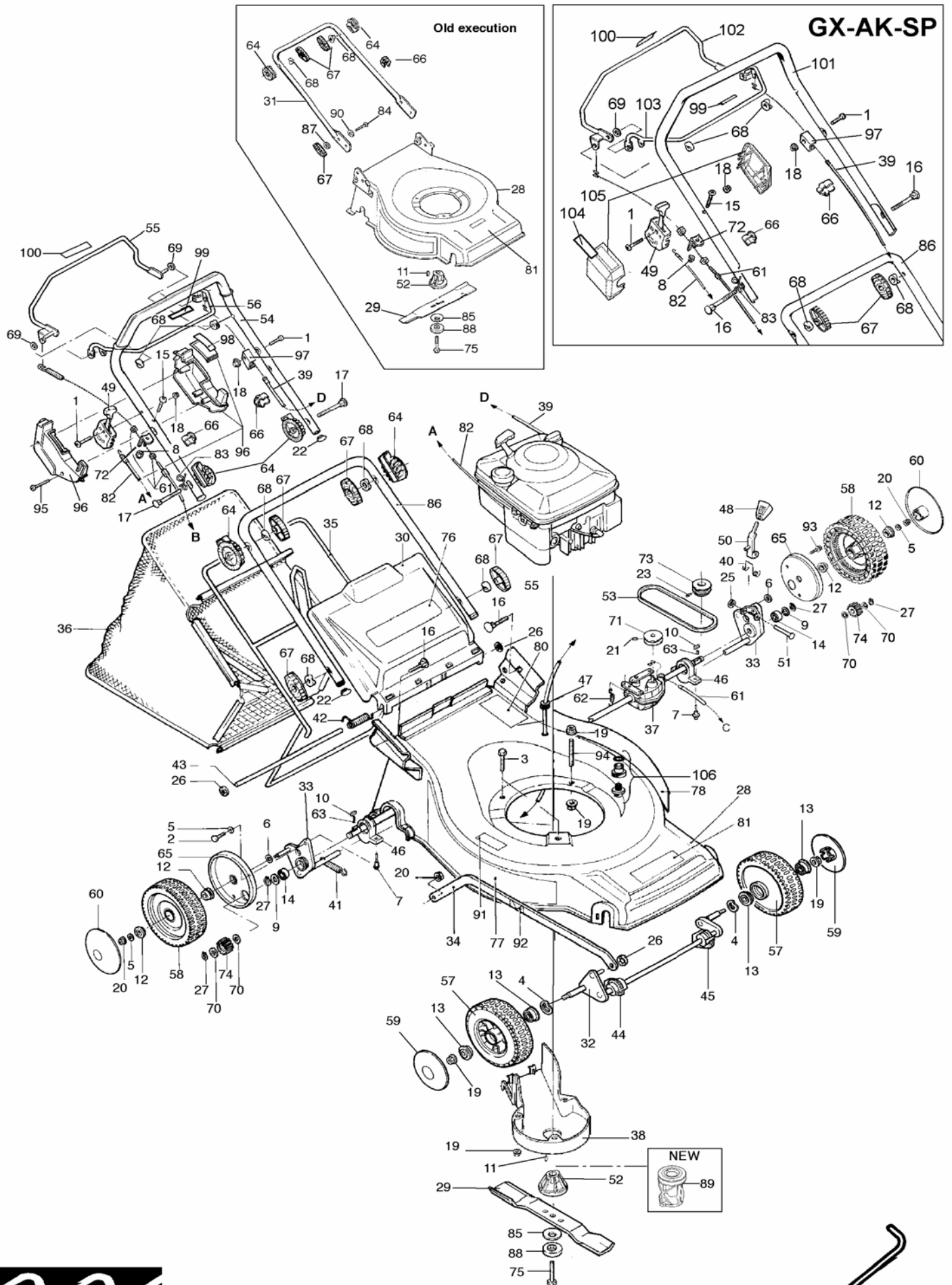
GT 53 - GX 52 - GX 53 - AK 53



RICAMBI ORIGINALI

POS.	CODICE	I	F	D	GB	E	GT 53	GX 52	GX 53	AK 53	
1	CP025040	VITE AUTOF.	VIS	SCHRAUBE	SCREW	TORNILLO	2				
2	CP030830	VITE TE	VIS	SCHRAUBE	SCREW	TORNILLO	3	3	3	3	
3	CP032813	RONDELLA	RONDELLE	SCHEIBE	WASHER	ARANDELA	4	4	4	4	
3	CP032913	RONDELLA	RONDELLE	SCHEIBE	WASHER	ARANDELA	4 X RUOTE CP047118.98 - CP053118.98				
4	CP032913	RONDELLA	RONDELLE	SCHEIBE	WASHER	ARANDELA	2	2	2	2	
5	CP034615	RIVETTO	RIVET	NIET	RIVET	CLAVO	4	4	4	4	
6	CP037406	CHIAVETTA	CLAVETTE	SCHLÜSSELCHEN	WOODRUFF KEY	CHAVETA	1	1	1	1	
7	CP038227	CUSCINETTO 12X27	ROULEMENT	KUGELLAGER	BALL BEARING	COJINETE	8	8	8	8	
7	CP038228	CUSCINETTO	ROULEMENT	KUGELLAGER	BALL BEARING	COJINETE	8 X RUOTE CP047118.98 - CP053118.98				
8	CP040835	VITE TTQST	VIS	SCHRAUBE	SCREW	TORNILLO	2	2	2	2	
9	CP040850	VITE TTQST	VIS	SCHRAUBE	SCREW	TORNILLO	2	4	4	4	
10	CP040875	VITE TTQST	VIS	SCHRAUBE	SCREW	TORNILLO	2				
11	CP052001.02	CHASSIS	CARTER	GEHÄUSE	DECK	CHASIS		1			
11	CP053001	CHASSIS	CARTER	GEHÄUSE	DECK	CHASIS	1				
11	CP053001.02	CHASSIS	CARTER	GEHÄUSE	DECK	CHASIS			1		
11	CP053001.03	CHASSIS	CARTER	GEHÄUSE	DECK	CHASIS				1	
12	CP053013	LAMA	LAME	MESSER	BLADE	CUCHILLA	1	1	1	1	
13	CP053048	ASSALE ANT	AXE AVANT	VORDERACHSE	FRONT AXLE	EJE ANTERIOR	1	1	1	1	
14	CP053053	ASSALE POS	AXE ARRIERE	HINTERACHSE	REAR AXLE	EJE POSTERIOR	1	1	1	1	
15	CP053063	TIRANTE ASSALE	BARRE	GESTÄNGE	LINK ROD	TIRANTE EJE	1	1	1	1	
16	CP050106	RUOTA 180	ROUE	RAD	WHEEL	RUEDA		2	2	2	
16	CP050108	RUOTA 180	ROUE	RAD	WHEEL	RUEDA	2	<--- (fino a / till 12/2005)			
16	CP047118.98	RUOTA 180 PH ZINCA	ROUE ACIER	VERZINKTES RAD	ZINC WHEEL	RUEDA ZINC	2	<--- (da / from 01/2006)			
17	CP050127	COPRIRUOTA 180	CACHE MOYEU	RADDECKUNG	HUB CAP	TAPA RUEDA	2 (da/from 04/2004 a/to 12/2005)				
17	CP050128	COPRIRUOTA 180	CACHE MOYEU	RADDECKUNG	HUB CAP	TAPA RUEDA	2 (fino a / till 04/2004)				
17	CP047133	COPRIRUOTA	CACHE MOYEU	RADDECKUNG	HUB CAP	TAPA RUEDA	2 (da / from 01/2006)				
18	CP042216	BLOCCETTO CAVO F	ATTACHE CABLE FRE	KABELBESCHWERER	CLIP	FIJADOR CABLE	1	1	1	1	
19	CP042806	DADO	ÉCROU	MUTTER	KNOB	ESPARRAGO	2	2	2	2	
20	CP042808	DADO	ÉCROU	MUTTER	KNOB	ESPARRAGO	7	7	7	7	
21	CP045713	TAPPO	COUVERCLE	KAPPE	CAP	TAPA	1	1	1	1	
22	CP045722	TAPPO	COUVERCLE	KAPPE	CAP	TAPA	4	2	2	2	
24	CP045911	MOLLA A TAZZA	RONDELLE	SCHEIBE	WASHER	MUELLE	1	1	1	1	
25	CP046606	RITEGNO	CLIP	RÜCKHALT	RETAINER	ANILLO CLIP	1	1	1	1	
26	CP046607	RITEGNO	CLIP	RÜCKHALT	RETAINER	ANILLO CLIP	3	3	3	3	
27	CP046608	RITEGNO	CLIP	RÜCKHALT	RETAINER	ANILLO CLIP	1	1	1	1	
28	CP047018	PARASASSI	DEFLECTEUR	DEFLEKTOR	REAR DOOR	DEFLECTÓR	1	1	1	1	
29	CP047033	MANICO INF.	GUIDON	STIEL	HANDLE	MANILLAR	1	1	1	1	
30	CP047034	MANICO INF.	GUIDON	STIEL	HANDLE	MANILLAR	1	1	1	1	
31	CP047042	MANICO SUP.	GUIDON	STIEL	HANDLE	MANILLAR		1	1	1	
32	CP047071	LEVA FRENO	LEVIER FREIN	STANGE	LEVER	LEVA		1	1	1	
33	CP053078	TELAIO CESTO	ATTELAGE	GRASFANGARMEN	FRAME	ARMAZON SACO	1	1	1	1	
34	CP053083	TELA CESTO BIANCA	SAC RAMASSEUR	GRASFANGSACK	GRASS BAG	SACO TELA	1			1	
34	CP053083.05	TELA CESTO NERA	SAC RAMASSEUR	GRASFANGSACK	GRASS BAG	SACO TELA		1	1		
35	?-TAB-FR	CAVO FRENO	CABLE FREIN	KABEL	CABLE	CABLE	1	1	1	1	
36	CP047191	MOLLA	RESSORT	FEDER	SPRING	MUELLE	1	1	1	1	
37	CP047192	MOLLA	RESSORT	FEDER	SPRING	MUELLE	1	1	1	1	
38	CP050192	MOLLA PARASASSI	RESSORT	FEDER	SPRING	MUELLE	1	1	1	1	
39	CP053203	ASTINA	AXE PIVOT	STANGE	HINGE PIN	EJE DEFLECTÓR	1	1	1	1	
40	CP047212	SUPPORTO ASSALE	SUPPORT	ACHSELAGER	SUPPORT	SOPORTE	1	1	1	1	
41	CP047213	SUPPORTO ASSALE	SUPPORT	ACHSELAGER	SUPPORT	SOPORTE	1	1	1	1	
42	CP047214	SUPPORTO ASSALE	SUPPORT	ACHSELAGER	SUPPORT	SOPORTE	2	2	2	2	
43	CP047220	COPRIACCELERATOR	COUVERCLE	DECKEL	COVER	COPA PROTECTORA		1	1	1	
44	CP047236	CAPPUCCIO	CACHE MOYEU	KAPPE	HOOD	POMO	1	1	1	1	
45	CP047242	GANCIO FUNE AVV.	PORTE CABLE	KABELHALTER	CABLE SUPPORT	FIJADOR CABLE	1	1	1	1	
46	CP047250	COMANDO ACCELER	LEVIER	STANGE	THROTTLE LEVER	LEVA	1	1	1	1	
47	CP047255	LEVA ALZO	LEVIER	STANGE	LEVER	LEVA ALTURAS	1	1	1	1	
48	CP047267	PERNO	GOUJON	ZAPFFEN	PIN	PERNO	1	1	1	1	
49	CP050043	MANICO SUP.	GUIDON	STIEL	HANDLE	MANILLAR	1				
50	CP050071	LEVA FRENO	LEVIER FREIN	STANGE	LEVER	LEVA	1				
51	CP050110	RUOTA 200	ROUE	RAD	WHEEL	RUEDA		2	2	2	
51	CP050112	RUOTA 200	ROUE	RAD	WHEEL	RUEDA	2	<--- (fino a / till 12/2005)			
51	CP053118.98	RUOTA 209 PH ZINCA	ROUE ACIER	VERZINKTES RAD	ZINC WHEEL	RUEDA ZINC	2	<--- (da / from 01/2006)			
52	CP050132	COPRIRUOTA 200-230	CACHE MOYEU	RADDECKUNG	HUB CAP	TAPA RUEDA	2 (da/from 04/2004 a/to 12/2005)				
52	CP050130	COPRIRUOTA 200	CACHE MOYEU	RADDECKUNG	HUB CAP	TAPA RUEDA	2 (fino a / till 04/2004)				
52	CP047133	COPRIRUOTA	CACHE MOYEU	RADDECKUNG	HUB CAP	TAPA RUEDA	2 (da / from 01/2006)				
53	CP050212	REGOLATORE MANIC	REGLAGE DE GUIDON	STIELREGULATOR	HANDLE REGULATOR	REGULADOR MANILL	4				
54	CP050222	FERMACAVO	ATTACHE CABLE	KABELBESCHWERER	CLIP	FIJADOR CABLE	2	2	2	2	
55	CP050228	POMOLO MANICO	ÉCROU	GRIFF	KNOB HANDLE	POMO MANILLAR	4	4	4	4	
56	CP050230	RONDELLA	RONDELLE	SCHEIBE	WASHER	ARANDELA	4	4	4	4	
57	CP050233	RONDELLA	RONDELLE	SCHEIBE	WASHER	ARANDELA	2	2	2	2	
58	CP053250	RONDELLA	RONDELLE	SCHEIBE	WASHER	ARANDELA	1	1	1	1	
60	CP050965	VITE LAMA 10.9	VIS 10.9	SCHRAUBE 10.9	SCREW 10.9	TORNILLO 10.9	1	1	1	1	
61	CP053273	MOZZO LAMA 22	PORTE LAME	MESSERHALTER	BLADE ADAPTOR	PORTA CUCHILLA	1	1	1	1	
63	CP053710	DECALCO	DECALQUE	ETIKETTE	DECAL	CARTEL	1				
64	CP053713	DECALCO	DECALQUE	ETIKETTE	DECAL	CARTEL		1	1	1	
65	CP053715	DECALCO	DECALQUE	ETIKETTE	DECAL	CARTEL	1	1	1	1	
66	CP053728	DECALCO	DECALQUE	ETIKETTE	DECAL	CARTEL	1				
67	CP053729	DECALCO	DECALQUE	ETIKETTE	DECAL	CARTEL	1				
68	CP053802	DECALCO	DECALQUE	ETIKETTE	DECAL	CARTEL	1	1	1	1	
69	CP053806	DECALCO	DECALQUE	ETIKETTE	DECAL	CARTEL	1	1	1	1	
70	CP053813	DECALCO	DECALQUE	ETIKETTE	DECAL	CARTEL	1	1	1	1	
71	CP053861	DECALCO GALAXY	DECALQUE	ETIKETTE	DECAL	CARTEL		1	1		
71	CP053910	DECALCO GREENTEA	DECALQUE	ETIKETTE	DECAL	CARTEL	1				
71	CP053849	DECALCO AKITA	DECALQUE	ETIKETTE	DECAL	CARTEL				1	
72	?-TAB-AC	CAVO ACCELERATOR	CABLE GAZ	KABEL	CABLE	CABLE	1	1	1	1	

GT 53 S - GX 52 S - GX 53 S - AK 53 S - SP 53 S



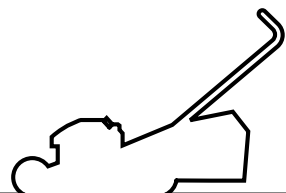
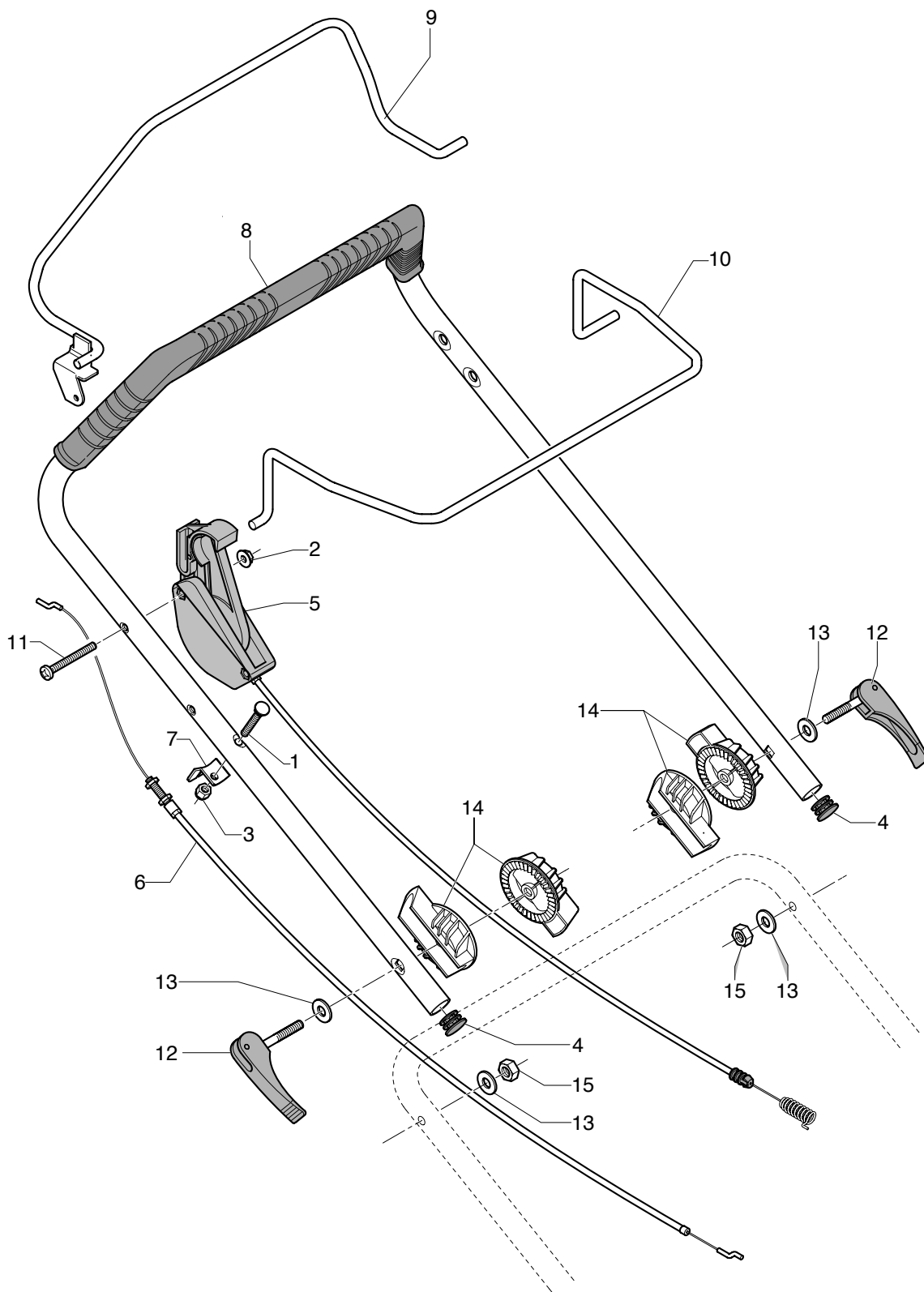
MA.RI.NA.

GT 53 S - GX 52 S - GX 53 S - AK 53 S - SP 53 S

POS.	CODICE	I	F	D	GB	E	GT 53	GX 52	GX 53	AK 53	SP 53	
1	CP060640	VITE TC	VIS	SCHRAUBE	SCREW	TORNILLO	2	2	2	2	2	
2	CP030825	VITE TE	VIS	SCHRAUBE	SCREW	TORNILLO	1	1	1	1	1	
3	CP030845	VITE TE	VIS	SCHRAUBE	SCREW	TORNILLO	3	3	3	3	3	
4	CP032813	RONDELLA	RONDELLE	SCHEIBE	WASHER	ARANDELA	2	2	2	2	2	
4	CP032913	RONDELLA	RONDELLE	SCHEIBE	WASHER	ARANDELA	4 X RUOTE CP047118.98 - CP053128.98					
5	CP032908	RONDELLA	RONDELLE	SCHEIBE	WASHER	ARANDELA	5	5	5	5	5	
6	CP032913	RONDELLA	RONDELLE	SCHEIBE	WASHER	ARANDELA	2	2	2	2	2	
7	CP034615	RIVETTO	RIVET	NIET	RIVET	CLAVO	4	4	4	4	4	
8	CP044906	DADO	ÉCROU	MUTTER	KNOB	ESPARRAGO	1	1	1	1	1	
9	CP035905	RASAMENTO	RONDELLE	SCHEIBE	WASHER	ARANDELA	2	2	2	2	2	
10	CP037305	CHIAVETTA	CLAVETTE	SCHLÜSSELCHEN	WOODRUFF KEY	CHAVETA	2	2	2	2	2	
11	CP037406	CHIAVETTA	CLAVETTE	SCHLÜSSELCHEN	WOODRUFF KEY	CHAVETA	1 (fino a / till 03/1999)					
12	CP038226	CUSCINETTO 12X2	ROULEMENT	KUGELLAGER	BALL BEARING	COJINETE	4	4	4	4	4	
12	CP038228	CUSCINETTO	ROULEMENT	KUGELLAGER	BALL BEARING	COJINETE	4 X RUOTE CP053128.98					
13	CP040226	BOCCOLA	BOUCLÉ	BÜCHSE	BUSH	COJINETE					4	
13	CP038227	CUSCINETTO 12X2	ROULEMENT	KUGELLAGER	BALL BEARING	COJINETE	4	4	4	4		
13	CP038228	CUSCINETTO	ROULEMENT	KUGELLAGER	BALL BEARING	COJINETE	4 X RUOTE CP047118.98					
14	CP038228	CUSCINETTO	ROULEMENT	KUGELLAGER	BALL BEARING	COJINETE	2	2	2	2	2	
15	CP040630	VITE TTQST	VIS	SCHRAUBE	SCREW	TORNILLO	1	1	1	1	1	
16	CP040850	VITE TTQST	VIS	SCHRAUBE	SCREW	TORNILLO	2	4	4	4	4	
17	CP040875	VITE TTQST	VIS	SCHRAUBE	SCREW	TORNILLO	2					
18	CP042806	DADO	ÉCROU	MUTTER	KNOB	ESPARRAGO	3	3	3	3	3	
19	CP042808	DADO	ÉCROU	MUTTER	KNOB	ESPARRAGO	8	8	8	8	8	
20	CP044708	DADO	ÉCROU	MUTTER	KNOB	ESPARRAGO	3	3	3	3	3	
21	CP045530	SPINA	GOUPILLE	DORN	PIN	PASADOR	1	1	1	1	1	
22	CP045722	TAPPO	COUVERCLE	KAPPE	CAP	TAPA	4	2	2	2	2	
23	CP045810	GRANO	VIS	SCHRAUBE	SCREW	TORNILLO	1 (fino a / till 03/1999)					
25	CP046606	RITEGNO	CLIP	RÜCKHALT	RETAINER	ANILLO CLIP	1	1	1	1	1	
26	CP046607	RITEGNO	CLIP	RÜCKHALT	RETAINER	ANILLO CLIP	3	3	3	3	3	
27	CP046812	SEEGER	SEEGER	RÜCKHALT	RETAINER	ANILLO CLIP	4	4	4	4	4	
28	CP052001.02	CHASSIS	CARTER	GEHÄUSE	DECK	CHASIS		1				
28	CP053001	CHASSIS	CARTER	GEHÄUSE	DECK	CHASIS	1					
28	CP053001.02	CHASSIS	CARTER	GEHÄUSE	DECK	CHASIS			1			
28	CP053001.03	CHASSIS	CARTER	GEHÄUSE	DECK	CHASIS				1		
28	CP053001.12	CHASSIS	CARTER	GEHÄUSE	DECK	CHASIS					1	
29	CP053013	LAMA	LAME	MESSER	BLADE	CUCHILLA	1	1	1	1	1	
30	CP047018	PARASASSI	DEFLECTEUR	DEFLEKTOR	REAR DOOR	DEFLECTÓR	1	1	1	1	1	
31	CP047033	MANICO INF.	GUIDON	STIEL	HANDLE	MANILLAR	1	1	1	1	1	
32	CP053048	ASSALE ANT	AXE AVANT	VORDERACHSE	FRONT AXLE	EJE ANTERIOR	1	1	1	1	1	
33	CP053058	ASSALE POS	AXE ARRIERE	HINTERACHSE	REAR AXLE	EJE POSTERIOR	1	1	1	1	1	
34	CP053063	TIRANTE ASSALE	BARRE	GESTÄNGE	LINK ROD	TIRANTE EJE	1	1	1	1	1	
35	CP053078	TELAIO CESTO	ATTELAGE	GRASFANGRAHME	FRAME	ARMAZON SACO	1	1	1	1	1	
36	CP053083	TELA CESTO BIANCO	SAC RAMASSEUR	GRASFANGSACK	GRASS BAG	SACO TELA	1			1		
36	CP053083.05	TELA CESTO NERO	SAC RAMASSEUR	GRASFANGSACK	GRASS BAG	SACO TELA		1	1		1	
37	CP053088	RIDUTTORE TR 53	REDUCTEUR	UNTERSCHUTZUNG	GEAR BOX ASSY	TRANSMISION	1	1	1	1	1	
38	CP047096	COPRICINGHIA	COUVERCLE COUR	RIEMENSCHUTZ	BELT COVER	TAPA	1	1	1	1	1	
39	?-TAB-FR	CAVO FRENO	CABLE FREIN	KABEL	CABLE	CABLE	1	1	1	1	1	
40	CP047191	MOLLA	RESSORT	FEDER	SPRING	MUELLE	1	1	1	1	1	
41	CP047192	MOLLA	RESSORT	FEDER	SPRING	MUELLE	1	1	1	1	1	
42	CP050192	MOLLA PARASASSI	RESSORT	FEDER	SPRING	MUELLE	1	1	1	1	1	
43	CP053203	ASTINA	AXE PIVOT	STANGE	HINGE PIN	EJE DEFLECTÓR	1	1	1	1	1	
44	CP047212	SUPPORTO ASSALE	SUPPORT	ACHSELAGER	SUPPORT	SOPORTE	1	1	1	1	1	
45	CP047213	SUPPORTO ASSALE	SUPPORT	ACHSELAGER	SUPPORT	SOPORTE	1	1	1	1	1	
46	CP047215	SUPPORTO ASSALE	SUPPORT	ACHSELAGER	SUPPORT	SOPORTE	2	2	2	2	2	
47	CP047217	PASSACAVO	JOINTE	RING	RING	ANILLO	1	1	1	1	1	
48	CP047236	CAPPUCCIO	CACHE MOYEU	KAPPE	HOOD	POMO	1	1	1	1	1	
49	CP047250	COMANDO ACCEL	LEVIER	STANGE	THROTTLE LEVER	LEVA	1	1	1	1	1	
50	CP047255	LEVA ALZO	LEVIER	STANGE	LEVER	LEVA ALTURAS	1	1	1	1	1	
51	CP047267	PERNO	GOUJON	ZAPFEN	PIN	PERNO	1	1	1	1	1	
52	CP053273	MOZZO LAMA 22	PORTE LAME	MESSERHALTER	BLADE ADAPTOR	PORTA CUCHILLA	1 (fino a / till 03/1999)					
53	CP047829	CINGHIA Z 29 1/2	COURROIE	RIEMEN	BELT	CORREA	1	1	1	1	1	
54	CP050043	MANICO SUP.	GUIDON	STIEL	HANDLE	MANILLAR	1					
55	CP050068	LEVA INNESTO	LEVIER EMBRAYAGE	STANGE	LEVER CLUTCH	LEVA	1					
56	CP050073	LEVA FRENO	LEVIER FREIN	STANGE	LEVER	LEVA	1					
57	CP047109	RUOTA 180	ROUE	RAD	WHEEL	RUEDA					2	
57	CP050106	RUOTA 180	ROUE	RAD	WHEEL	RUEDA		2	2	2		
57	CP050108	RUOTA 180	ROUE	RAD	WHEEL	RUEDA	2	<--- (fino a / till 12/2005)				
57	CP047118.98	RUOTA 180 PH ZINC	ROUE ACIER	VERZINKTES RAD	ZINC WHEEL	RUEDA ZINC	2	<--- (da / from 01/2006)				
58	CP050116	RUOTA 200	ROUE	RAD	WHEEL	RUEDA		2	2	2	2	
58	CP050118	RUOTA 200	ROUE	RAD	WHEEL	RUEDA	2	<--- (fino a / till 12/2005)				
58	CP053128.98	RUOTA 209T PH ZINC	ROUE ACIER	VERZINKTES RAD	ZINC WHEEL	RUEDA ZINC	2	<--- (da / from 01/2006)				
59	CP050127	COPRIRUOTA 180	CACHE MOYEU	RADDECKUNG	HUB CAP	TAPA RUEDA	2 (da/from 04/2004 a/to 12/2005)					
59	CP050128	COPRIRUOTA 180	CACHE MOYEU	RADDECKUNG	HUB CAP	TAPA RUEDA	2 (fino a / till 04/2004)					
59	CP047133	COPRIRUOTA	CACHE MOYEU	RADDECKUNG	HUB CAP	TAPA RUEDA	2 (da / from 01/2006)					
60	CP050132	COPRIRUOTA 200-2	CACHE MOYEU	RADDECKUNG	HUB CAP	TAPA RUEDA	2 (da/from 04/2004 a/to 12/2005)					
60	CP050133	COPRIRUOTA 200-2	CACHE MOYEU	RADDECKUNG	HUB CAP	TAPA RUEDA	2 (fino a / till 04/2004)					
60	CP047133	COPRIRUOTA	CACHE MOYEU	RADDECKUNG	HUB CAP	TAPA RUEDA	2 (da / from 01/2006)					
61	CP050139	CAVO SEMOVENZA	CABLE D'EMBAYAGE	SELBSTBEWEGLIC	CABLE CLUTCH	CABLE TRACCION	1	1	1	1	1	

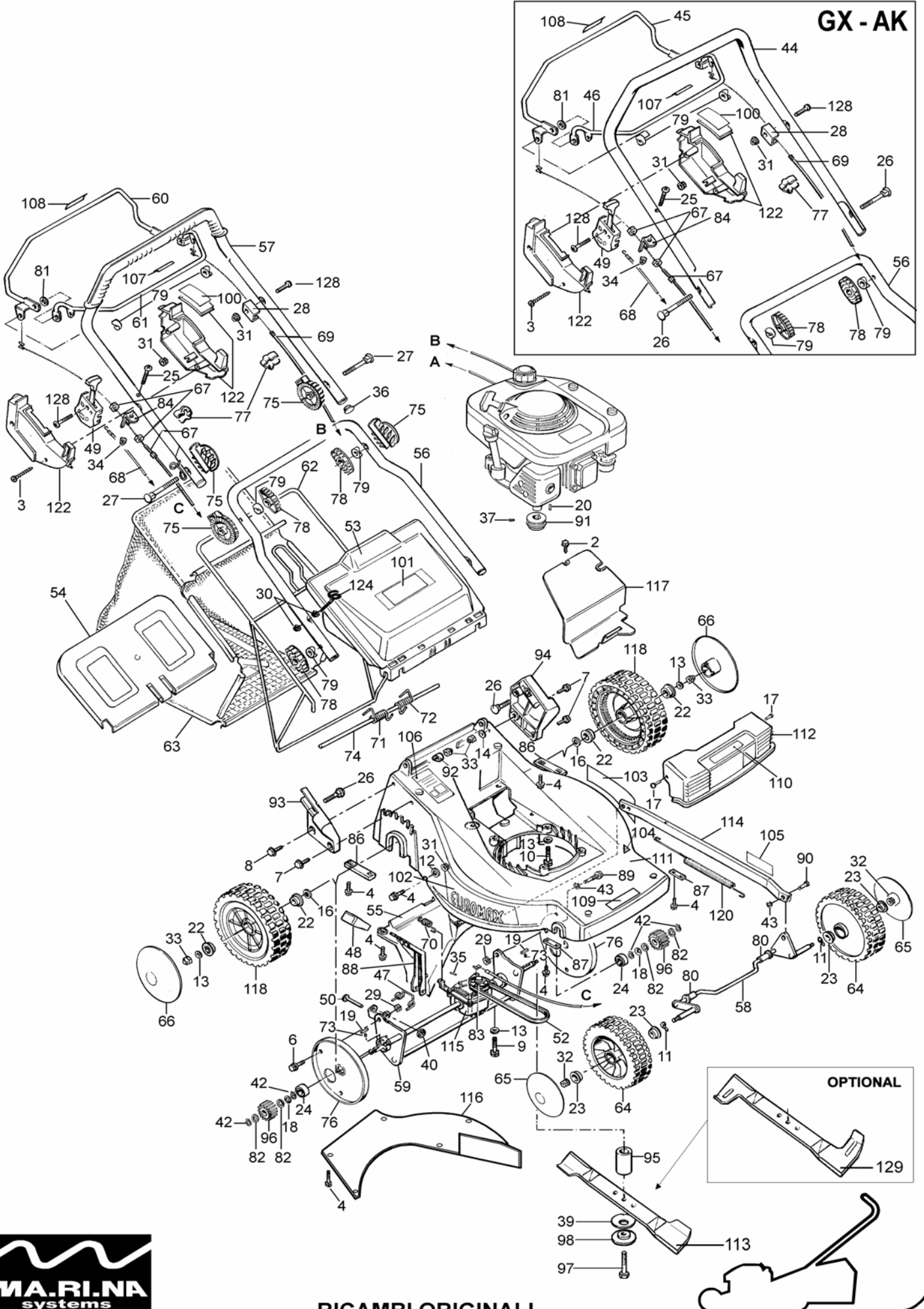
POS.	CODICE	I	F	D	GB	E	GT 53	GX 52	GX 53	AK 53	SP 53
62	CP050191	MOLLA	RESSORT	FEDER	SPRING	MUELLE	1	1	1	1	1
63	CP050194	MOLLA	RESSORT	FEDER	SPRING	MUELLE	2	2	2	2	2
64	CP050212	REGOLATORE MANI	REGLAGE DE GUID	STIELREGULATOR	HANDLE REGULAT	REGULADOR MANI	4				
65	CP050214	COPRIRUOTA INTE	CACHE MOYEU	RADDECKUNG	HUB CAP	TAPA RUEDA	2	2	2	2	2
66	CP050222	FERMACAVO	ATTACHE CABLE	KABELBESCHWERE	CLIP	FIJADOR CABLE	2	2	2	2	2
67	CP050228	POMOLO MANICO	ÉCROU	GRIFF	KNOB HANDLE	POMO MANILLAR	4	4	4	4	4
68	CP050230	RONDELLA	RONDELLE	SCHEIBE	WASHER	ARANDELA	6	6	6	6	6
69	CP050234	RONDELLA	RONDELLE	SCHEIBE	WASHER	ARANDELA	2	2	2	2	2
70	CP050238	RONDELLA	RONDELLE	SCHEIBE	WASHER	ARANDELA	4	4	4	4	4
71	CP050240	PULEGGIA D.55	POULIE	RIEMENSCHLEIBE	PULLEY	POLEA	1	1	1	1	1
72	CP050243	STAFFETTA REGIS	EQUARRE	WINKELMASS	BRACKET	ABRAZADERA CABLE	1	1	1	1	1
73	CP050262	PULEGGIA MOTOR	POULIE	RIEMENSCHLEIBE	PULLEY	POLEA	1 (fino a / till 03/1999)				
74	CP050298	INGRANAGGIO	PIGNON	GETRIEBE	PINION	ENGRANAJE	2	2	2	2	2
75	CP050965	VITE LAMA 10.9	VIS 10.9	SCHRAUBE 10.9	SCREW 10.9	TORNILLO 10.9	1	1	1	1	1
76	CP053715	DECALCO	DECALQUE	ETIKETTE	DECAL	CARTEL	1	1	1	1	1
77	CP053728	DECALCO	DECALQUE	ETIKETTE	DECAL	CARTEL	1				
78	CP053729	DECALCO	DECALQUE	ETIKETTE	DECAL	CARTEL	1				
80	CP053813	DECALCO	DECALQUE	ETIKETTE	DECAL	CARTEL	1	1	1	1	1
81	CP053910	DECALCO GREENT	DECALQUE	ETIKETTE	DECAL	CARTEL	1				
81	CP053861	DECALCO GALAXY	DECALQUE	ETIKETTE	DECAL	CARTEL		1	1		
81	CP053849	DECALCO AKITA	DECALQUE	ETIKETTE	DECAL	CARTEL				1	
81	CP053862	DECALCO SPARTA	DECALQUE	ETIKETTE	DECAL	CARTEL					1
82	?-TAB-AC	CAVO ACCELERAT	CABLE GAZ	KABEL	CABLE	CABLE	1	1	1	1	1
83	CP047242	GANCIO FUNE AVV	PORTE CABLE	KABELHALTER	CABLE SUPPORT	FIJADOR CABLE	1	1	1	1	1
84	CP040835	VITE TTQST	VIS	SCHRAUBE	SCREW	TORNILLO	2	2	2	2	2
85	CP045911	MOLLA A TAZZA	RONDELLE	SCHEIBE	WASHER	MUELLE	1	1	1	1	1
86	CP047034	MANICO INF.	GUIDON	STIEL	HANDLE	MANILLAR	1	1	1	1	1
87	CP050233	RONDELLA	RONDELLE	SCHEIBE	WASHER	ARANDELA	2	2	2	2	2
88	CP053250	RONDELLA	RONDELLE	SCHEIBE	WASHER	ARANDELA	1	1	1	1	1
89	CP053274	MOZZO CON PULEC	PORTE LAME + PO	MESSERHALTER	BLADE ADAPTOR+	PORTA CUCHILLA+	1 (da/from 04/1999 a/to 05/2003)				
89	CP053274A	MOZZO CON PULEC	PORTE LAME + PO	MESSERHALTER	BLADE ADAPTOR+	PORTA CUCHILLA+	1 (da / from 06/2003)				
90	CP032913	RONDELLA	RONDELLE	SCHEIBE	WASHER	ARANDELA	2	2	2	2	2
91	CP053806	DECALCO	DECALQUE	ETIKETTE	DECAL	CARTEL	1	1	1	1	1
92	CP053802	DECALCO	DECALQUE	ETIKETTE	DECAL	CARTEL	1	1	1	1	1
93	CP030816	VITE TE	VIS	SCHRAUBE	SCREW	TORNILLO	1	1	1	1	1
94	CP047257	VITE 8X75	VIS	SCHRAUBE	SCREW	TORNILLO	1	1	1	1	1
95	CP025040	VITE AUTOF.	VIS	SCHRAUBE	SCREW	TORNILLO	2				
96	CP056226	COPRIACCELERAT	COUVERCLE	DECKEL	COVER	COPA PROTECTOR	1				
97	CP042216	BLOCCHETTO CAV	ATTACHE CABLE F	KABELBESCHWERE	CLIP	FIJADOR CABLE	1	1	1	1	1
98	CP053710	DECALCO	DECALQUE	ETIKETTE	DECAL	CARTEL	1				
99	CP053842	DECALCO	DECALQUE	ETIKETTE	DECAL	CARTEL	1	1	1	1	1
100	CP053843	DECALCO	DECALQUE	ETIKETTE	DECAL	CARTEL	1	1	1	1	1
101	CP047042	MANICO SUP.	GUIDON	STIEL	HANDLE	MANILLAR		1	1	1	1
102	CP047068	LEVA INNESTO	LEVIER EMBRAYAG	STANGE	LEVER CLUTCH	LEVA		1	1	1	1
103	CP047073	LEVA FRENO	LEVIER FREIN	STANGE	LEVER	LEVA		1	1	1	1
104	CP053713	DECALCO	DECALQUE	ETIKETTE	DECAL	CARTEL	1	1	1	1	1
105	CP047220	COPRIACCELERAT	COUVERCLE	DECKEL	COVER	COPA PROTECTORA		1	1	1	1
106	CP052225	INNESTO RAPIDO	RACCORD DE L'EAU	SPUELDUESE	WATER CONNECTO	ENLACE	1	1	1	1	1

MANICO REGOLABILE TNM



GT 56 S - GX 56 S - AK 56 S

GX - AK



RICAMBI ORIGINALI

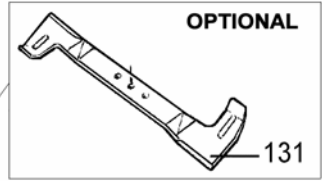
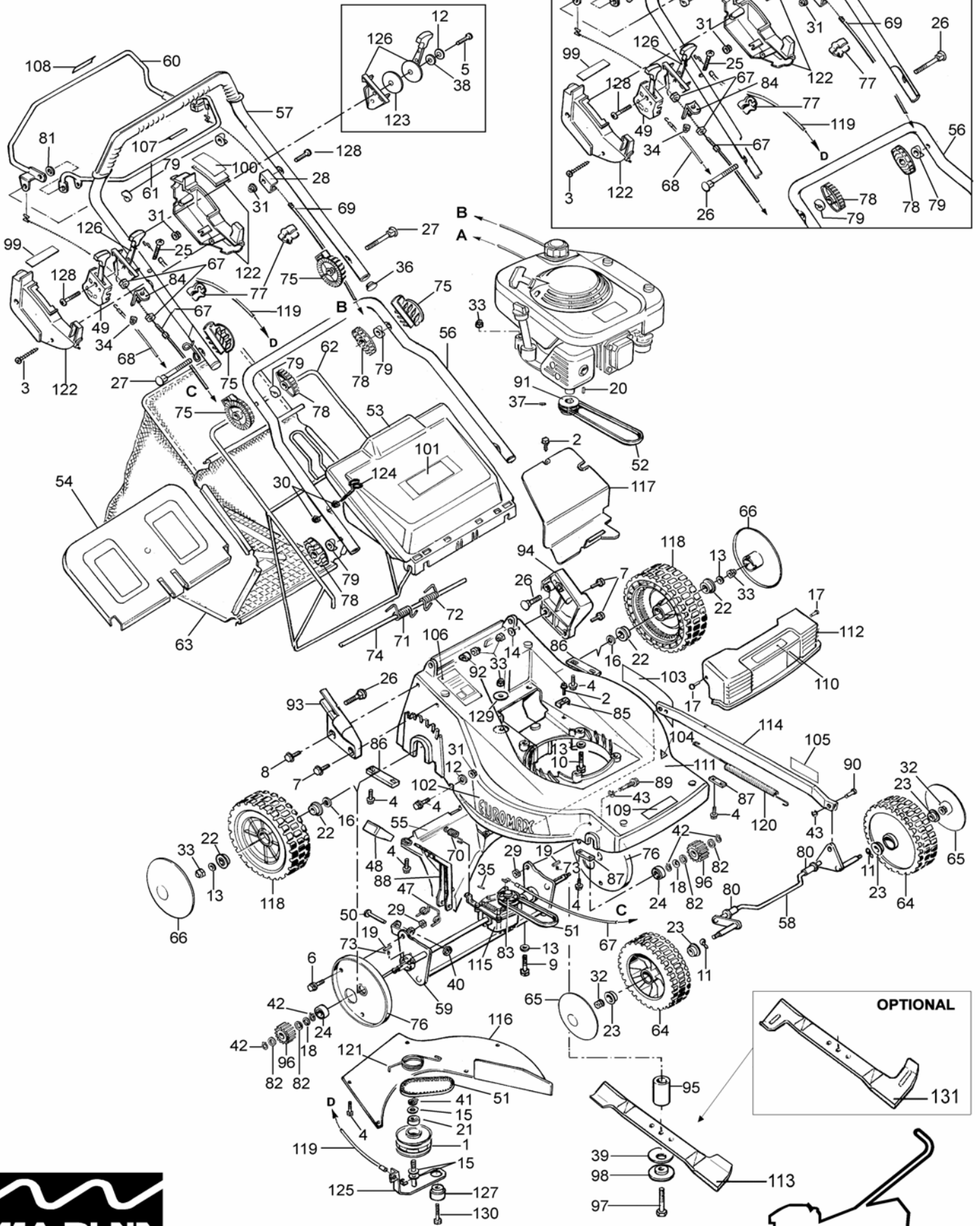
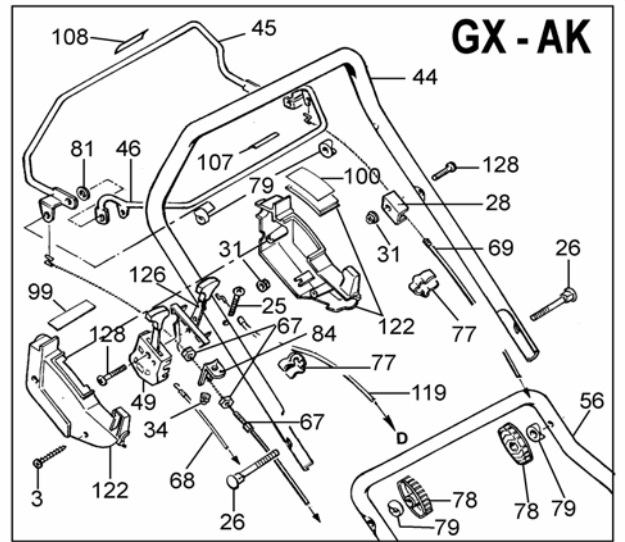
POS.	CODICE	I	F	D	GB	E	GT	GX	AK		
2	CP024816	VITE AUTOF.	VIS	SCHRAUBE	SCREW	TORNILLO	1	1	1		
3	CP025040	VITE AUTOF.	VIS	SCHRAUBE	SCREW	TORNILLO	2	2	2		
4	CP026016	VITE AUTOF.	VIS	SCHRAUBE	SCREW	TORNILLO	16	16	16		
6	CP030812	VITE TE	VIS	SCHRAUBE	SCREW	TORNILLO	1	1	1		
7	CP030825	VITE TE	VIS	SCHRAUBE	SCREW	TORNILLO	3	3	3		
8	CP030850	VITE TE	VIS	SCHRAUBE	SCREW	TORNILLO	1	1	1		
9	CP030855	VITE TE	VIS	SCHRAUBE	SCREW	TORNILLO	2	2	2		
10	CP030880	VITE TE	VIS	SCHRAUBE	SCREW	TORNILLO	1	1	1		
11	CP032813	RONDELLA	RONDELLE	SCHEIBE	WASHER	ARANDELA	2	2	2		
11	CP032913	RONDELLA	RONDELLE	SCHEIBE	WASHER	ARANDELA	4 X RUOTE CP047118.98 - CP057128.98				
12	CP032907	RONDELLA	RONDELLE	SCHEIBE	WASHER	ARANDELA	1	1	1		
13	CP032908	RONDELLA	RONDELLE	SCHEIBE	WASHER	ARANDELA	5	5	5		
14	CP032909	RONDELLA	RONDELLE	SCHEIBE	WASHER	ARANDELA	4	4	4		
16	CP032913	RONDELLA	RONDELLE	SCHEIBE	WASHER	ARANDELA	2	2	2		
17	CP034411	RIVETTO	RIVET	NIET	RIVET	CLAVO	2	2	2		
18	CP035905	RASAMENTO	RONDELLE	SCHEIBE	WASHER	ARANDELA	2	2	2		
19	CP037305	CHIAVETTA	CLAVETTE	SCHLÜSSELCHEN	WOODRUFF KEY	CHAVETA	2	2	2		
20	CP037406	CHIAVETTA	CLAVETTE	SCHLÜSSELCHEN	WOODRUFF KEY	CHAVETA	1	1	1		
22	CP038226	CUSCINETTO 12X26	ROULEMENT	KUGELLAGER	BALL BEARING	COJINETE	4	4	4		
22	CP038228	CUSCINETTO	ROULEMENT	KUGELLAGER	BALL BEARING	COJINETE	4 X RUOTE CP057128.98				
23	CP038227	CUSCINETTO 12X27	ROULEMENT	KUGELLAGER	BALL BEARING	COJINETE	4	4	4		
22	CP038228	CUSCINETTO	ROULEMENT	KUGELLAGER	BALL BEARING	COJINETE	4 X RUOTE CP047118.98				
24	CP038228	CUSCINETTO	ROULEMENT	KUGELLAGER	BALL BEARING	COJINETE	2	2	2		
25	CP040630	VITE TTQST	VIS	SCHRAUBE	SCREW	TORNILLO	1	1	1		
26	CP040850	VITE TTQST	VIS	SCHRAUBE	SCREW	TORNILLO	2	4	4		
27	CP040875	VITE TTQST	VIS	SCHRAUBE	SCREW	TORNILLO	2				
28	CP042216	BLOCCHETTO CAVO	ATTACHE CABLE FF	KABELBESCHWERE	CLIP	FIJADOR CABLE	1	1	1		
29	CP042708	DADO	ÉCROU	MUTTER	KNOB	ESPARRAGO	2	2	2		
30	CP042805	DADO	ÉCROU	MUTTER	KNOB	ESPARRAGO	2	2	2		
31	CP042806	DADO	ÉCROU	MUTTER	KNOB	ESPARRAGO	3	3	3		
32	CP042808	DADO	ÉCROU	MUTTER	KNOB	ESPARRAGO	2	2	2		
33	CP044708	DADO	ÉCROU	MUTTER	KNOB	ESPARRAGO	9	9	9		
34	CP044906	DADO	ÉCROU	MUTTER	KNOB	ESPARRAGO	1	1	1		
35	CP045530	SPINA	GOUPILLE	DORN	PIN	PASADOR	1	1	1		
36	CP045722	TAPPO	COUVERCLE	KAPPE	CAP	TAPA	2				
37	CP045810	GRANO	VIS	SCHRAUBE	SCREW	TORNILLO	1	1	1		
39	CP045911	MOLLA A TAZZA	RONDELLE	SCHEIBE	WASHER	MUELLE	1	1	1		
40	CP046606	RITEGNO	CLIP	RÜCKHALT	RETAINER	ANILLO CLIP	1	1	1		
42	CP046812	SEEGER	SEEGER	RÜCKHALT	RETAINER	ANILLO CLIP	4	4	4		
43	CP046904	FERMO	CLIP	RÜCKHALT	RETAINER	ANILLO CLIP	2	2	2		
44	CP047042	MANICO SUP.	GUIDON	STIEL	HANDLE	MANILLAR		1	1		
45	CP047068	LEVA INNESTO	LEVIER EMBRAYAGE	STANGE	LEVER CLUTCH	LEVA		1	1		
46	CP047073	LEVA FRENO	LEVIER FREIN	STANGE	LEVER	LEVA		1	1		
47	CP047191	MOLLA	RESSORT	FEDER	SPRING	MUELLE	1	1	1		
48	CP047236	CAPPUCCIO	CACHE MOYEU	KAPPE	HOOD	POMO	1	1	1		
49	CP047250	COMANDO ACCELE	LEVIER	STANGE	THROTTLE LEVER	LEVA	1	1	1		
50	CP047267	PERNO	GOUJON	ZAPFEN	PIN	PERNO	1	1	1		
52	CP047834	CINGHIA Z 34 1/4 (O	COURROIE	RIEMEN	BELT	CORREA	1	1	1		
53	CP050018	PARASASSI	DEFLECTEUR	DEFLEKTOR	REAR DOOR	DEFLECTÖR	1	1	1		
54	CP050023	COPRICESTO NERCO	COUVERCLE	GRASFANFSACKDE	BAG COVER	CARCASA	1				
55	CP050028	DEFLETTORE	DEFLECTEUR	DEFLEKTOR	DEFLECTOR	DEFLECTÖR	1	1	1		
56	CP050033	MANICO INF.	GUIDON	STIEL	HANDLE	MANILLAR	1	1	1		
57	CP050043	MANICO SUP.	GUIDON	STIEL	HANDLE	MANILLAR	1				
58	CP050048	ASSALE ANT	AXE AVANT	VORDERACHSE	FRONT AXLE	EJE ANTERIOR	1	1	1		
59	CP050059	ASSALE POSTERIO	AXE ARRIERE	HINTERACHSE	REAR AXLE	EJE POSTERIOR	1	1	1		
60	CP050068	LEVA INNESTO	LEVIER EMBRAYAGE	STANGE	LEVER CLUTCH	LEVA	1				
61	CP050073	LEVA FRENO	LEVIER FREIN	STANGE	LEVER	LEVA	1				
62	CP050078	TELAIO CESTO	ATTELAGE	GRASFANGRAHME	FRAME	ARMAZON SACO	1	1	1		
63	CP050083	TELA CESTO BIANCO	SAC RAMASSEUR	GRASFANGSACK	GRASS BAG	SACO TELA	1		1		
63	CP050083.05	TELA CESTO NERO	SAC RAMASSEUR	GRASFANGSACK	GRASS BAG	SACO TELA		1			
64	CP050106	RUOTA 180	ROUE	RAD	WHEEL	RUEDA		2	2		
64	CP050108	RUOTA 180	ROUE	RAD	WHEEL	RUEDA	2	<--- (fino a / till 12/2005)			
64	CP047118.98	RUOTA 180 PH ZINC	ROUE ACIER	VERZINKTES RAD	ZINC WHEEL	RUEDA ZINC	2	<--- (da / from 01/2006)			
65	CP050127	COPRIRUOTA 180	CACHE MOYEU	RADDECKUNG	HUB CAP	TAPA RUEDA	2 (da/from 04/2004 a/to 12/2005)				
65	CP050128	COPRIRUOTA 180	CACHE MOYEU	RADDECKUNG	HUB CAP	TAPA RUEDA	2 (fino a / till 04/2004)				
65	CP047133	COPRIRUOTA	CACHE MOYEU	RADDECKUNG	HUB CAP	TAPA RUEDA	2 (da / from 01/2006)				
66	CP050132	COPRIRUOTA 200-2	CACHE MOYEU	RADDECKUNG	HUB CAP	TAPA RUEDA	2 (da/from 04/2004 a/to 12/2005)				
66	CP050133	COPRIRUOTA 200-2	CACHE MOYEU	RADDECKUNG	HUB CAP	TAPA RUEDA	2 (fino a / till 04/2004)				
66	CP047133	COPRIRUOTA	CACHE MOYEU	RADDECKUNG	HUB CAP	TAPA RUEDA	2 (da / from 01/2006)				
67	CP050139	CAVO SEMOVENZA	CABLE D'EMBRAYA	SELBSTBEWEGLICH	CABLE CLUTCH	CABLE TRACCION	1	1	1		
68	?-TAB-AC	CAVO ACCELERATO	CABLE GAZ	KABEL	CABLE	CABLE	1	1	1		
69	?-TAB-FR	CAVO FRENO	CABLE FREIN	KABEL	CABLE	CABLE	1	1	1		
70	CP050191	MOLLA	RESSORT	FEDER	SPRING	MUELLE	1	1	1		
71	CP050193	MOLLA PARASASSI	RESSORT	FEDER	SPRING	MUELLE	1	1	1		
72	CP050192	MOLLA PARASASSI	RESSORT	FEDER	SPRING	MUELLE	1	1	1		
73	CP050194	MOLLA	RESSORT	FEDER	SPRING	MUELLE	2	2	2		
74	CP050203	ASTINA	AXE PIVOT	STANGE	HINGE PIN	EJE DEFLECTOR	1	1	1		
75	CP050212	REGOLATORE MANI	REGLAGE DE GUID	STIELREGULATOR	HANDLE REGULATO	REGULADOR MANIL	4				
76	CP050214	COPRIRUOTA INTE	CACHE MOYEU	RADDECKUNG	HUB CAP	TAPA RUEDA	2	2	2		
77	CP050222	FERMACAVO	ATTACHE CABLE	KABELBESCHWERE	CLIP	FIJADOR CABLE	2	2	2		

MA.RI.NA.

GT 56 S - GX 56 S - AK 56 S

POS.	CODICE	I	F	D	GB	E	GT	GX	AK
78	CP050228	POMOLO MANICO	ÉCROU	GRIFF	KNOB HANDLE	POMO MANILLAR	4	4	4
79	CP050230	RONDELLA	RONDELLE	SCHEIBE	WASHER	ARANDELA	6	6	6
80	CP050232	BOCCOLA	BOUCLE	BÜCHSE	BUSH	COJINETE	2	2	2
81	CP050234	RONDELLA	RONDELLE	SCHEIBE	WASHER	ARANDELA	2	2	2
82	CP050238	RONDELLA	RONDELLE	SCHEIBE	WASHER	ARANDELA	4	4	4
83	CP050241	PULEGGIA D.60	POULIE	RIEMENSCHLEIBE	PULLEY	POLEA	1	1	1
84	CP050243	STAFFETTA REGIST	EQUARRE	WINKELMASS	BRACKET	ABRAZADERA CABLE	1	1	1
86	CP050246	PIASTRINA	PLAQUE	PLÄTTCHEN	PLATE	PLANCHA	2	2	2
87	CP050250	PIASTRINA	PLAQUE	PLÄTTCHEN	PLATE	PLANCHA	2	2	2
88	CP050254	LEVA ALZO	LEVIER	STANGE	LEVER	LEVA ALTURAS	1	1	1
89	CP050256	VITE SPECIALE	VIS	SCHRAUBE	SCREW	TORNILLO	1	1	1
90	CP050258	PERNO	GOUJON	ZAPFEN	PIN	PERNO	1	1	1
91	CP050262	PULEGGIA MOTORB	POULIE	RIEMENSCHLEIBE	PULLEY	POLEA	1	1	1
92	CP050266	RONDELLA INCLINA	RONDELLE	SCHEIBE	WASHER	ARANDELA	1	1	1
93	CP050268	PIASTRA	PLAQUE	PLÄTTCHEN	PLATE	PLANCHA	1	1	1
94	CP050269	PIASTRA	PLAQUE	PLÄTTCHEN	PLATE	PLANCHA	1	1	1
95	CP050272	MOZZO LAMA 22	PORTE LAME	MESSERHALTER	BLADE ADAPTOR	PORTA CUCHILLA	1	1	1
96	CP050298	INGRANAGGIO	PIGNON	GETRIEBE	PINION	ENGRANAJE	2	2	2
97	CP050975	VITE LAMA 10.9	VIS	SCHRAUBE	SCREW	TORNILLO	1	1	1
98	CP053250	RONDELLA	RONDELLE	SCHEIBE	WASHER	ARANDELA	1	1	1
100	CP053710	DECALCO	DECALQUE	ETIKETTE	DECAL	CARTEL	1	1	1
101	CP053715	DECALCO	DECALQUE	ETIKETTE	DECAL	CARTEL	1	1	1
102	CP053742	DECALCO	DECALQUE	ETIKETTE	DECAL	CARTEL	1	1	1
103	CP053743	DECALCO	DECALQUE	ETIKETTE	DECAL	CARTEL	1	1	1
104	CP053802	DECALCO	DECALQUE	ETIKETTE	DECAL	CARTEL	1	1	1
105	CP053806	DECALCO	DECALQUE	ETIKETTE	DECAL	CARTEL	1	1	1
106	CP053813	DECALCO	DECALQUE	ETIKETTE	DECAL	CARTEL	1	1	1
107	CP053842	DECALCO	DECALQUE	ETIKETTE	DECAL	CARTEL	1	1	1
108	CP053843	DECALCO	DECALQUE	ETIKETTE	DECAL	CARTEL	1	1	1
109	CP053861	DECALCO GALAXY	DECALQUE	ETIKETTE	DECAL	CARTEL	1	1	1
109	CP053849	DECALCO AKITA	DECALQUE	ETIKETTE	DECAL	CARTEL	1	1	1
110	CP053910	DECALCO GREENT	DECALQUE	ETIKETTE	DECAL	CARTEL	1	1	1
111	CP056001	CHASSIS VERDE	CARTER	GEHÄUSE	DECK	CHASIS	1	1	1
111	CP056001.02	CHASSIS ROSSO	CARTER	GEHÄUSE	DECK	CHASIS	1	1	1
111	CP056001.03	CHASSIS ARGENTO	CARTER	GEHÄUSE	DECK	CHASIS	1	1	1
112	CP056008	MUSETTO	CARTER	SCHUTZ	DECK	CARCASA	1	1	1
113	CP056013	LAMA	LAME	MESSER	BLADE	CUCHILLA	1	1	1
114	CP056063	TIRANTE ASSALE	BARRE	GESTÄNGE	LINK ROD	TIRANTE EJE	1	1	1
115	CP056088	RIDUTTORE TR 50-3	REDUCTEUR	UNTERSETZUNGGE	GEAR BOX ASSY	TRANSMISION	1	<--- (fino a / till 12/2004)	1
115	CP056089	RIDUTTORE TD 56 F	REDUCTEUR	UNTERSETZUNGGE	GEAR BOX ASSY	TRANSMISION	1	<--- (da / from 01/2005)	1
116	CP056093	PROTEZIONE	CARTER	SCHUTZ	METAL SHIELD	PROTECCION	1	1	1
117	CP056098	COPRICINGHIA	COUVERCLE COUR	RIEMENSCHUTZ	BELT COVER	TAPA	1	1	1
118	CP056116	RUOTA 230	ROUE	RAD	WHEEL	RUEDA	2	2	2
118	CP056118	RUOTA 230	ROUE	RAD	WHEEL	RUEDA	2	<--- (fino a / till 12/2005)	2
118	CP057128.98	RUOTA 235T PH ZIN	ROUE ACIER	VERZINKTES RAD	ZINC WHEEL	RUEDA ZINC	2	<--- (da / from 01/2006)	2
120	CP056192	MOLLA	RESSORT	FEDER	SPRING	MUELLE	1	1	1
122	CP056226	COPRIACCELERATO	COUVERCLE	DECKEL	COVER	COPA PROTECTOR	1	1	1
124	CP056242	VITE	VIS	SCHRAUBE	SCREW	TORNILLO	1	1	1
128	CP060640	VITE TC	VIS	SCHRAUBE	SCREW	TORNILLO	2	2	2
129	CP056012	LAMA ALETTATA	LAME	MESSER	BLADE	CUCHILLA		OPTIONAL	

GT 56 S VV - GX 56 S VV - AK 56 S VV



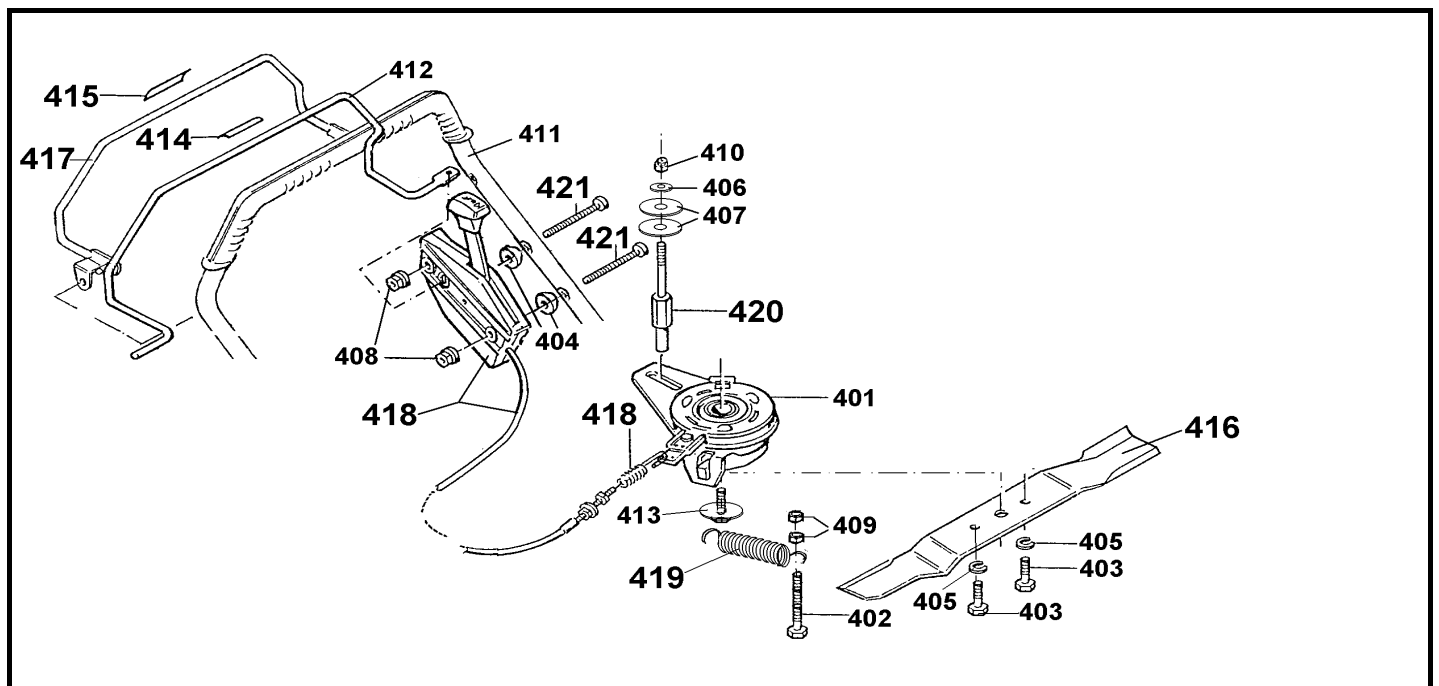
RICAMBI ORIGINALI

MA.RI.NA.

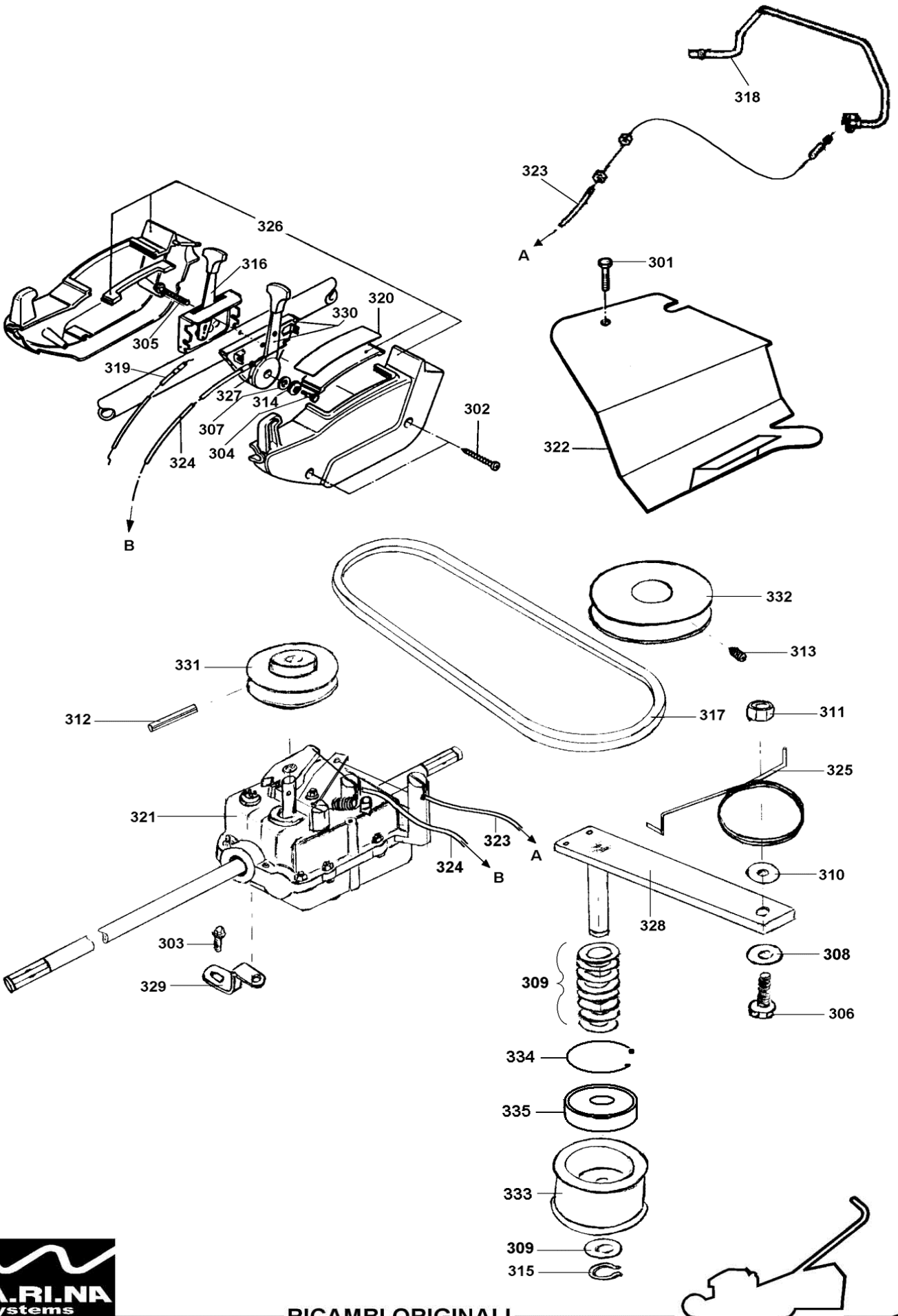
GT 56 S VV - GX 56 S VV - AK 56 S VV

POS.	CODICE	I	F	D	GB	E	GT	GX	AK		
1	AS005976	PULEGGIA VARIAB	POULIE	RIEMENSCHIEBE	PULLEY	POLEA	1	1	1		
2	CP024816	VITE AUTOF.	VIS	SCHRAUBE	SCREW	TORNILLO	2	2	2		
3	CP025040	VITE AUTOF.	VIS	SCHRAUBE	SCREW	TORNILLO	2	2	2		
4	CP026016	VITE AUTOF.	VIS	SCHRAUBE	SCREW	TORNILLO	16	16	16		
5	CP030620	VITE TE	VIS	SCHRAUBE	SCREW	TORNILLO	1	1	1		
6	CP030812	VITE TE	VIS	SCHRAUBE	SCREW	TORNILLO	1	1	1		
7	CP030825	VITE TE	VIS	SCHRAUBE	SCREW	TORNILLO	3	3	3		
8	CP030850	VITE TE	VIS	SCHRAUBE	SCREW	TORNILLO	1	1	1		
9	CP030855	VITE TE	VIS	SCHRAUBE	SCREW	TORNILLO	2	2	2		
10	CP030880	VITE TE	VIS	SCHRAUBE	SCREW	TORNILLO	1	1	1		
11	CP032813	RONDELLA	RONDELLE	SCHEIBE	WASHER	ARANDELA	2	2	2		
11	CP032913	RONDELLA	RONDELLE	SCHEIBE	WASHER	ARANDELA	4 X RUOTE CP047118.98 - CP057128.98				
12	CP032907	RONDELLA	RONDELLE	SCHEIBE	WASHER	ARANDELA	2	2	2		
13	CP032908	RONDELLA	RONDELLE	SCHEIBE	WASHER	ARANDELA	5	5	5		
14	CP032909	RONDELLA	RONDELLE	SCHEIBE	WASHER	ARANDELA	4	4	4		
15	CP032910	RONDELLA	RONDELLE	SCHEIBE	WASHER	ARANDELA	3	3	3		
16	CP032913	RONDELLA	RONDELLE	SCHEIBE	WASHER	ARANDELA	5	5	5		
17	CP034411	RIVETTO	RIVET	NIET	RIVET	CLAVO	2	2	2		
18	CP035905	RASAMENTO	RONDELLE	SCHEIBE	WASHER	ARANDELA	2	2	2		
19	CP037305	CHIAVETTA	CLAVETTE	SCHLÜSSELCHEN	WOODRUFF KEY	CHAVETA	2	2	2		
20	CP037406	CHIAVETTA	CLAVETTE	SCHLÜSSELCHEN	WOODRUFF KEY	CHAVETA	1	1	1		
21	CP038026	CUSCINETTO	ROULEMENT	KUGELLAGER	BALL BEARING	COJINETE	2	2	2		
22	CP038226	CUSCINETTO 12X26	ROULEMENT	KUGELLAGER	BALL BEARING	COJINETE	4	4	4		
22	CP038228	CUSCINETTO	ROULEMENT	KUGELLAGER	BALL BEARING	COJINETE	4 X RUOTE CP057128.98				
23	CP038227	CUSCINETTO 12X27	ROULEMENT	KUGELLAGER	BALL BEARING	COJINETE	4	4	4		
23	CP038228	CUSCINETTO	ROULEMENT	KUGELLAGER	BALL BEARING	COJINETE	4 X RUOTE CP047118.98				
24	CP038228	CUSCINETTO	ROULEMENT	KUGELLAGER	BALL BEARING	COJINETE	2	2	2		
25	CP040630	VITE TTQST	VIS	SCHRAUBE	SCREW	TORNILLO	1	1	1		
26	CP040850	VITE TTQST	VIS	SCHRAUBE	SCREW	TORNILLO	2	4	4		
27	CP040875	VITE TTQST	VIS	SCHRAUBE	SCREW	TORNILLO	2				
28	CP042216	BLOCCETTO CAVO	ATTACHE CABLE FR	KABELBESCHWERE	CLIP	FIJADOR CABLE	1	1	1		
29	CP042708	DADO	ÉCROU	MUTTER	KNOB	ESPARRAGO	2	2	2		
30	CP042805	DADO	ÉCROU	MUTTER	KNOB	ESPARRAGO	2	2	2		
31	CP042806	DADO	ÉCROU	MUTTER	KNOB	ESPARRAGO	3	3	3		
32	CP042808	DADO	ÉCROU	MUTTER	KNOB	ESPARRAGO	2	2	2		
33	CP044708	DADO	ÉCROU	MUTTER	KNOB	ESPARRAGO	10	10	10		
34	CP044906	DADO	ÉCROU	MUTTER	KNOB	ESPARRAGO	1	1	1		
35	CP045530	SPINA	GOUPILLE	DORN	PIN	PASADOR	1	1	1		
36	CP045722	TAPPO	COUVERCLE	KAPPE	CAP	TAPA	2				
37	CP045810	GRANO	VIS	SCHRAUBE	SCREW	TORNILLO	1	1	1		
38	CP045906	MOLLA A TAZZA	RONDELLE	SCHEIBE	WASHER	MUELLE	1	1	1		
39	CP045911	MOLLA A TAZZA	RONDELLE	SCHEIBE	WASHER	MUELLE	1	1	1		
40	CP046606	RITEGNO	CLIP	RÜCKHALT	RETAINER	ANILLO CLIP	1	1	1		
41	CP046810	SEEGER	SEEGER	RUCKHALT	RETAINER	ANILLO CLIP	1	1	1		
42	CP046812	SEEGER	SEEGER	RUCKHALT	RETAINER	ANILLO CLIP	4	4	4		
43	CP046904	FERMO	CLIP	RÜCKHALT	RETAINER	ANILLO CLIP	2	2	2		
44	CP047042	MANICO SUP.	GUIDON	STIEL	HANDLE	MANILLAR		1	1		
45	CP047068	LEVA INNESTO	LEVIER EMBRAYAG	STANGE	LEVER CLUTCH	LEVA		1	1		
46	CP047073	LEVA FRENO	LEVIER FREIN	STANGE	LEVER	LEVA		1	1		
47	CP047191	MOLLA	RESSORT	FEDER	SPRING	MUELLE	1	1	1		
48	CP047236	CAPPUCCIO	CACHE MOYEU	KAPPE	HOOD	POMO	1	1	1		
49	CP047250	COMANDO ACCELE	LEVIER	STANGE	THROTTLE LEVER	LEVA	1	1	1		
50	CP047267	PERNO	GOUJON	ZAPPEN	PIN	PERNO	1	1	1		
51	CP047716	CINGHIA Z 16	COURROIE	RIEMEN	BELT	CORREA	1	1	1		
52	CP047725	CINGHIA Z 25	COURROIE	RIEMEN	BELT	CORREA	1	1	1		
53	CP050018	PARASASSI	DEFLECTEUR	DEFLEKTOR	REAR DOOR	DEFLECTOR	1	1	1		
54	CP050023	COPRICESTO NERO	COUVERCLE	GRASFANFSACKDE	BAG COVER	CARCASA	1				
55	CP050028	DEFLETTORE	DEFLECTEUR	DEFLEKTOR	DEFLECTOR	DEFLECTOR	1	1	1		
56	CP050033	MANICO INF.	GUIDON	STIEL	HANDLE	MANILLAR	1	1	1		
57	CP050043	MANICO SUP.	GUIDON	STIEL	HANDLE	MANILLAR	1				
58	CP050048	ASSALE ANT	AXE AVANT	VORDERACHSE	FRONT AXLE	EJE ANTERIOR	1	1	1		
59	CP050059	ASSALE POSTERIO	AXE ARRIERE	HINTERACHSE	REAR AXLE	EJE POSTERIOR	1	1	1		
60	CP050068	LEVA INNESTO	LEVIER EMBRAYAG	STANGE	LEVER CLUTCH	LEVA	1				
61	CP050073	LEVA FRENO	LEVIER FREIN	STANGE	LEVER	LEVA	1				
62	CP050078	TELAIO CESTO	ATTELAGE	GRASFANGRAHME	FRAME	ARMAZON SACO	1	1	1		
63	CP050083	TELA CESTO BIANCO	SAC RAMASSEUR	GRASFANGSACK	GRASS BAG	SACO TELA	1		1		
63	CP050083.05	TELA CESTO NERO	SAC RAMASSEUR	GRASFANGSACK	GRASS BAG	SACO TELA		1			
64	CP050106	RUOTA 180	ROUE	RAD	WHEEL	RUEDA		2	2		
64	CP050108	RUOTA 180	ROUE	RAD	WHEEL	RUEDA	2	<--- (fino a / till 12/2005)			
64	CP047118.98	RUOTA 180 PH ZINC	ROUE ACIER	VERZINKTES RAD	ZINC WHEEL	RUEDA ZINC	2	<--- (da / from 01/2006)			
65	CP050127	COPRIRUOTA 180	CACHE MOYEU	RADDECKUNG	HUB CAP	TAPA RUEDA	2 (da/from 04/2004 a/to 12/2005)				
65	CP050128	COPRIRUOTA 180	CACHE MOYEU	RADDECKUNG	HUB CAP	TAPA RUEDA	2 (fino a / till 04/2004)				
65	CP047133	COPRIRUOTA	CACHE MOYEU	RADDECKUNG	HUB CAP	TAPA RUEDA	2 (da / from 01/2006)				
66	CP050132	COPRIRUOTA 200-2	CACHE MOYEU	RADDECKUNG	HUB CAP	TAPA RUEDA	2 (da/from 04/2004 a/to 12/2005)				
66	CP050133	COPRIRUOTA 200-2	CACHE MOYEU	RADDECKUNG	HUB CAP	TAPA RUEDA	2 (fino a / till 04/2004)				
66	CP047133	COPRIRUOTA	CACHE MOYEU	RADDECKUNG	HUB CAP	TAPA RUEDA	2 (da / from 01/2006)				
67	CP050139	CAVO SEMOVENZA	CABLE D'EMBRAYA	SELBSTBEWEGLICH	CABLE CLUTCH	CABLE TRACCION	1	1	1		
68	?-TAB-AC	CAVO ACCELERATO	CABLE GAZ	KABEL	CABLE	CABLE	1	1	1		
69	?-TAB-FR	CAVO FRENO	CABLE FREIN	KABEL	CABLE	CABLE	1	1	1		
70	CP050191	MOLLA	RESSORT	FEDER	SPRING	MUELLE	1	1	1		

POS.	CODICE	I	F	D	GB	E	GT
401	CP019222	FRENO FRIZIONE LAMA	EMBAYAGE LAME	MESSERKUPPLUNG	BLADE CLUTCH	EMBRAGUE CUCHILLA	1
402	CP030850	VITE TE	VIS	SCHRAUBE	SCREW	TORNILLO	1
403	CP031020	VITE	VIS	SCHRAUBE	SCREW	TORNILLO	2
404	CP032230	RONDELLA	RONDELLE	SCHEIBE	WASHER	ARANDELA	2
405	CP032710	RONDELLA GROWER	RONDELLE	SCHEIBE	WASHER	ARANDELA	2
406	CP032908	RONDELLA	RONDELLE	SCHEIBE	WASHER	ARANDELA	1
407	CP032909	RONDELLA	RONDELLE	SCHEIBE	WASHER	ARANDELA	2
408	CP042806	DADO	ÉCROU	MUTTER	KNOB	ESPARRAGO	2
409	CP042808	DADO	ÉCROU	MUTTER	KNOB	ESPARRAGO	2
410	CP044708	DADO	ÉCROU	MUTTER	KNOB	ESPARRAGO	1
411	CP050045	MANICO SUP. BBC	GUIDON	STIEL	HANDLE	MANILLAR	1
412	CP050074	LEVA FRENO BBC	LEVIER FREIN	STANGE	LEVER	LEVA	1
413	CP050937	VITE BBC	VIS BBC	SCHRAUBE BBC	SCREW BBC	TORNILLO BBC	1
414	CP053842	DECALCO	DECALQUE	ETIKETTE	DECAL	CARTEL	1
415	CP053843	DECALCO	DECALQUE	ETIKETTE	DECAL	CARTEL	1
416	CP056014	LAMA BBC	LAME	MESSER	BLADE	CUCHILLA	1
417	CP056069	LEVA SEMOVENZA BBC	LEVIER EMBRAYAGE	STANGE	LEVER CLUTCH	LEVA	1
418	CP056147	CAVO FRENO BBC	CABLE FREIN	KABEL	CABLE	CABLE	1
419	CP056191	MOLLA	RESSORT	FEDER	SPRING	MUELLE	1
420	CP056256	PERNO DI FERMO BBC	GOUJON	ZAPFEN	PIN	PERNO	1
421	CP060660	VITE	VIS	SCHRAUBE	SCREW	TORNILLO	2

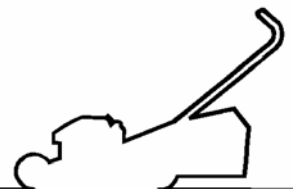
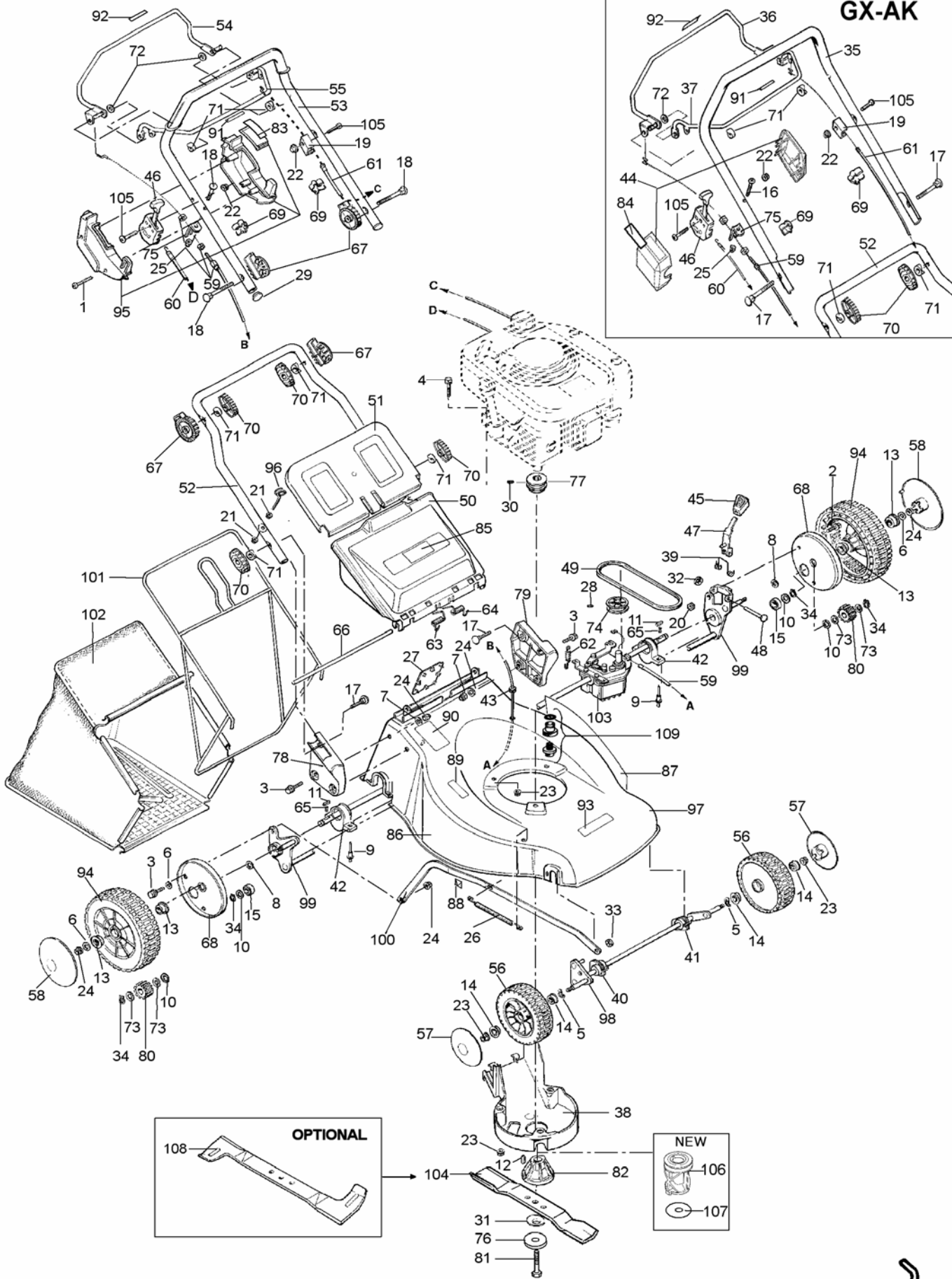
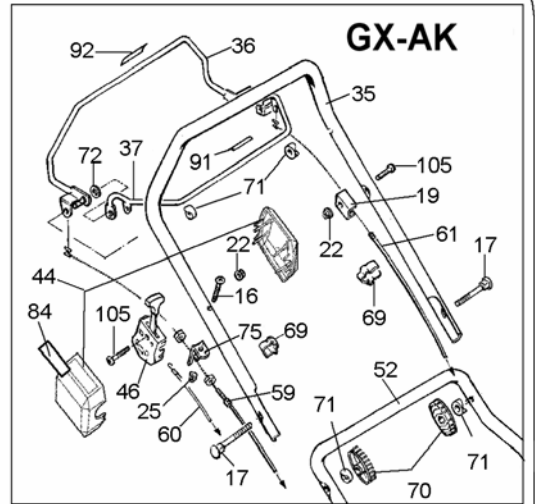


GT 56 S 3 V



POS.	CODICE	I	F	D	GB	E	NEW	OLD
							>=06/96	< 06/96
301	CP024816	VITE AUTOF.	VIS	SCHRAUBE	SCREW	TORNILLO	1	1
302	CP025040	VITE AUTOF.	VIS	SCHRAUBE	SCREW	TORNILLO	2	2
303	CP026016	VITE AUTOF.	VIS	SCHRAUBE	SCREW	TORNILLO	1	1
304	CP030620	VITE TE	VIS	SCHRAUBE	SCREW	TORNILLO	1	1
305	CP030640	VITE TE	VIS	SCHRAUBE	SCREW	TORNILLO	1	1
306	CP030840	VITE TE	VIS	SCHRAUBE	SCREW	TORNILLO	1	1
307	CP032906	RONDELLA	RONDELLE	SCHEIBE	WASHER	ARANDELA	1	1
308	CP032909	RONDELLA	RONDELLE	SCHEIBE	WASHER	ARANDELA	1	1
309	CP032910	RONDELLA	RONDELLE	SCHEIBE	WASHER	ARANDELA	9	9
310	CP035805	RASAMENTO	RONDELLE	SCHEIBE	WASHER	ARANDELA	1	1
311	CP044708	DADO	ÉCROU	MUTTER	KNOB	ESPARRAGO	1	1
312	CP045525	SPINA	GOUPILLE	DORN	PIN	PASADOR	1	1
313	CP045810	GRANO	VIS	SCHRAUBE	SCREW	TORNILLO	1	1
314	CP045906	MOLLA A TAZZA	RONDELLE	SCHEIBE	WASHER	MUELLE	1	1
315	CP046810	SEEGER	SEEGER	RUCKHALT	RETAINER	ANILLO CLIP	1	1
316	CP047250	COMANDO ACCELERATO	LEVIER	STANGE	THROTTLE LEVER	LEVA	1	1
317	CP047835	CINGHIA Z 35 - Z 34 1/2	COURROIE	RIEMEN	BELT	CORREA	1	
317	CP047837	CINGHIA SPZX 937	COURROIE	RIEMEN	BELT	CORREA		1
318	CP050068	LEVA INNESTO	LEVIER EMBRAYAGE	STANGE	LEVER CLUTCH	LEVA	1	1
319	CP050143	CAVO ACCELERATORE	CABLE GAZ	BESCHLEUNIGER	THROTTLE CABLE	ACELERADOR	1	1
320	CP053711	DECALCO	DECALQUE	ETIKETTE	DECAL	CARTEL	1	1
321	CP056090	CAMBIO A 3 VELOCITA'	REDUCTEUR	UNTERSETZUNGGETRIEBE	GEAR BOX 3 SPEED	TRANSMISSION	1	1
322	CP056098	COPRINCINGHIA	COUVERCLE COURROIE	RIEMENSCHUTZ	BELT COVER	TAPA	1	1
323	CP056138	CAVO SEMOVENZA	CABLE D'EMBAYAGE	SELBSTBEWEGLICHKEIT	CABLE CLUTCH	CABLE TRACCION	1	1
324	CP056154	CAVO CAMBIO	CABLE	KABEL	CABLE	CABLE	1	1
325	CP056195	MOLLA	RESSORT	FEDER	SPRING	MUELLE	1	1
326	CP056225	SCATOLA	BOITE	GETRIEBE	GEAR BOX	CAJA	1	1
327	CP056238	RONDELLA	RONDELLE	SCHEIBE	WASHER	ARANDELA	1	1
328	CP056247	LEVA	LEVIER	STANGE	LEVER	LEVA	1	1
329	CP056249	SQUADRETTA	EQUARRE	WINKELMASS	BRACKET	ABRAZDERA	1	1
330	CP056250	COMANDO VARIATORE	MANETTE	STANGE	LEVER	LEVA	1	1
331	CP056261	PULEGGIA RIDUTTORI	POULIE	RIEMENSCHIEBE	PULLEY	POLEA	1	1
332	CP056262	PULEGGIA Ø 88	POULIE Ø 88	RIEMENSCHIEBE Ø 88	PULLEY Ø 88	POLEA Ø 88		1
332	CP056264	PULEGGIA Ø 70	POULIE Ø 70	RIEMENSCHIEBE Ø 70	PULLEY Ø 70	POLEA Ø 70	1	
333	CP058260	PULEGGIA TENDICINGHIA	POULIE	RIEMENSCHIEBE	PULLEY	POLEA	1	1
334	CP046730	SEEGER	SEEGER	RUCKHALT	RETAINER	ANILLO CLIP	1	1
335	CP038030	CUSCINETTO	ROULEMENT	KUGELLAGER	BALL BEARING	COJINETE	1	1

GT 57 S - GX 57 S - AK 57 S



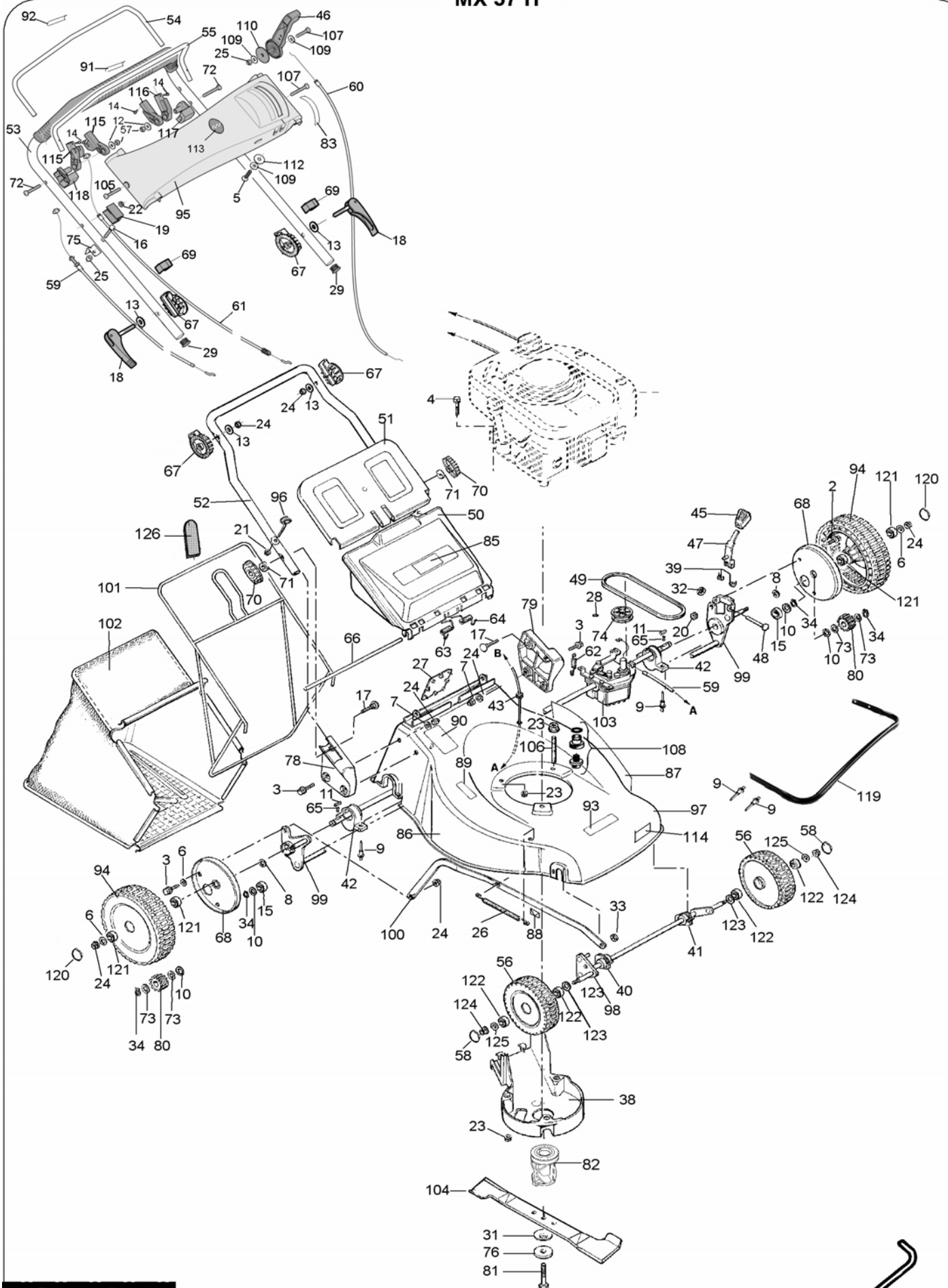
MA.RI.NA.

GT 57 S - GX 57 S - AK 57 S

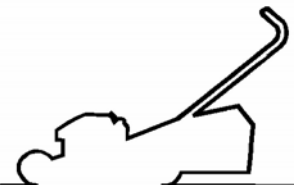
POS.	CODICE	I	F	D	GB	E	GT 57 S	GX 57 S	AK 57 S		
1	CP025040	VITE AUTOF.	VIS	SCHRAUBE	SCREW	TORNILLO	2				
2	CP030816	VITE TE	VIS	SCHRAUBE	SCREW	TORNILLO	1	1	1		
3	CP030825	VITE TE	VIS	SCHRAUBE	SCREW	TORNILLO	5	5	5		
4	CP030840	VITE TE	VIS	SCHRAUBE	SCREW	TORNILLO	3	3	3		
5	CP032813	RONDELLA	RONDELLE	SCHEIBE	WASHER	ARANDELA	2	2	2		
5	CP032913	RONDELLA	RONDELLE	SCHEIBE	WASHER	ARANDELA	4 X RUOTE CP047118.98 - CP057128.98				
6	CP032908	RONDELLA	RONDELLE	SCHEIBE	WASHER	ARANDELA	3	3	3		
7	CP032909	RONDELLA	RONDELLE	SCHEIBE	WASHER	ARANDELA	4	4	4		
8	CP032913	RONDELLA	RONDELLE	SCHEIBE	WASHER	ARANDELA	2	2	2		
9	CP034615	RIVETTO	RIVET	NIET	RIVET	CLAVO	4	4	4		
10	CP035905	RASAMENTO	RONDELLE	SCHEIBE	WASHER	ARANDELA	4	4	4		
11	CP037305	CHIAVETTA	CLAVETTE	SCHLÜSSELCHEN	WOODRUFF KEY	CHAVETA	2	2	2		
12	CP037406	CHIAVETTA	CLAVETTE	SCHLÜSSELCHEN	WOODRUFF KEY	CHAVETA	1 (fino a / till 03/1999)				
13	CP038226	CUSCINETTO 12X26	ROULEMENT	KUGELLAGER	BALL BEARING	COJINETE	4	4	4		
13	CP038228	CUSCINETTO	ROULEMENT	KUGELLAGER	BALL BEARING	COJINETE	4 X RUOTE CP057128.98				
14	CP038227	CUSCINETTO 12X27	ROULEMENT	KUGELLAGER	BALL BEARING	COJINETE	4	4	4		
14	CP038228	CUSCINETTO	ROULEMENT	KUGELLAGER	BALL BEARING	COJINETE	4 X RUOTE CP047118.98				
15	CP038228	CUSCINETTO	ROULEMENT	KUGELLAGER	BALL BEARING	COJINETE	2	2	2		
16	CP040630	VITE TTQST	VIS	SCHRAUBE	SCREW	TORNILLO	1	1	1		
17	CP040850	VITE TTQST	VIS	SCHRAUBE	SCREW	TORNILLO	2	4	4		
18	CP040875	VITE TTQST	VIS	SCHRAUBE	SCREW	TORNILLO	2				
19	CP042216	BLOCCHETTO CAVO F	ATTACHE CABLE FRE	KABELBESCHWERER	CLIP	FIJADOR CABLE	1	1	1		
20	CP042708	DADO	ÉCROU	MUTTER	KNOB	ESPARRAGO	1	1	1		
21	CP042805	DADO	ÉCROU	MUTTER	KNOB	ESPARRAGO	2	2	2		
22	CP042806	DADO	ÉCROU	MUTTER	KNOB	ESPARRAGO	2	2	2		
23	CP042808	DADO	ÉCROU	MUTTER	KNOB	ESPARRAGO	8	8	8		
24	CP044708	DADO	ÉCROU	MUTTER	KNOB	ESPARRAGO	7	7	7		
25	CP044906	DADO	ÉCROU	MUTTER	KNOB	ESPARRAGO	1	1	1		
26	CP045192	MOLLA	RESSORT	FEDER	SPRING	MUELLE	1	1	1		
27	CP045225	COPERCHIETTO	COUVERCLE	KAPPE	CAP	TAPA	1	1	1		
28	CP045530	SPINA	GOUPILLE	DORN	PIN	PASADOR	1	1	1		
29	CP045722	TAPPO	COUVERCLE	KAPPE	CAP	TAPA	2				
30	CP045810	GRANO	VIS	SCHRAUBE	SCREW	TORNILLO	1 (fino a / till 03/1999)				
31	CP045911	MOLLA A TAZZA	RONDELLE	SCHEIBE	WASHER	MUELLE	1	1	1		
32	CP046606	RITEGNO	CLIP	RÜCKHALT	RETAINER	ANILLO CLIP	1	1	1		
33	CP046607	RITEGNO	CLIP	RÜCKHALT	RETAINER	ANILLO CLIP	1	1	1		
34	CP046812	SEEGER	SEEGER	RÜCKHALT	RETAINER	ANILLO CLIP	4	4	4		
35	CP047042	MANICO SUP.	GUIDON	STIEL	HANDLE	MANILLAR	1	1	1		
36	CP047068	LEVA INNESTO	LEVIER EMBRAYAGE	STANGE	LEVER CLUTCH	LEVA		1	1		
37	CP047073	LEVA FRENO	LEVIER FREIN	STANGE	LEVER	LEVA		1	1		
38	CP047096	COPRICINGHIA	COUVERCLE COURRO	RIEMENSCHUTZ	BELT COVER	TAPA	1	1	1		
39	CP047191	MOLLA	RESSORT	FEDER	SPRING	MUELLE	1	1	1		
40	CP047212	SUPPORTO ASSALE	SUPPORT	ACHSELAGER	SUPPORT	SOPORTE	1	1	1		
41	CP047213	SUPPORTO ASSALE	SUPPORT	ACHSELAGER	SUPPORT	SOPORTE	1	1	1		
42	CP047215	SUPPORTO ASSALE	SUPPORT	ACHSELAGER	SUPPORT	SOPORTE	2	2	2		
43	CP047217	PASSACAVO	JOINTE	RING	RING	ANILLO	1	1	1		
44	CP047220	COPRIACCELERATOR	COUVERCLE	DECKEL	COVER	COPA PROTECTORA		1	1		
45	CP047236	CAPPUCCIO	CACHE MOYEU	KAPPE	HOOD	POMO	1	1	1		
46	CP047250	COMANDO ACCELERA	LEVIER	STANGE	THRATTLE LEVER	LEVA	1	1	1		
47	CP047255	LEVA ALZO	LEVIER	STANGE	LEVER	LEVA ALTURAS	1	1	1		
48	CP047267	PERNO	GOUJON	ZAPFEN	PIN	PERNO	1	1	1		
49	CP047835	CINGHIA Z 35 - Z 34 1/2	COURROIE	RIEMEN	BELT	CORREA	1	1	1		
50	CP050018	PARASASSI	DEFLECTEUR	DEFLEKTOR	REAR DOOR	DEFLECTÓR	1	1	1		
51	CP050023	COPRICESTO NERO	COUVERCLE	GRASFANFSACKDECK	BAG COVER	CARCASA	1				
52	CP050033	MANICO INF.	GUIDON	STIEL	HANDLE	MANILLAR	1	1	1		
53	CP050043	MANICO SUP.	GUIDON	STIEL	HANDLE	MANILLAR	1				
54	CP050068	LEVA INNESTO	LEVIER EMBRAYAGE	STANGE	LEVER CLUTCH	LEVA	1				
55	CP050073	LEVA FRENO	LEVIER FREIN	STANGE	LEVER	LEVA	1				
56	CP050106	RUOTA 180	ROUE	RAD	WHEEL	RUEDA		2	2		
56	CP050108	RUOTA 180	ROUE	RAD	WHEEL	RUEDA	2	<--- (fino a / till 12/2005)			
56	CP047118.98	RUOTA 180 PH ZINCA	ROUE ACIER	VERZINKTES RAD	ZINC WHEEL	RUEDA ZINC	2	<--- (da / from 01/2006)			
57	CP050127	COPRIRUOTA 180	CACHE MOYEU	RADDECKUNG	HUB CAP	TAPA RUEDA	2 (da/from 04/2004 a/to 12/2005)				
57	CP050128	COPRIRUOTA 180	CACHE MOYEU	RADDECKUNG	HUB CAP	TAPA RUEDA	2 (fino a / till 04/2004)				
57	CP047133	COPRIRUOTA	CACHE MOYEU	RADDECKUNG	HUB CAP	TAPA RUEDA	2 (da / from 01/2006)				
58	CP050132	COPRIRUOTA 200-230	CACHE MOYEU	RADDECKUNG	HUB CAP	TAPA RUEDA	2 (da/from 04/2004 a/to 12/2005)				
58	CP050133	COPRIRUOTA 200-230	CACHE MOYEU	RADDECKUNG	HUB CAP	TAPA RUEDA	2 (fino a / till 04/2004)				
58	CP047133	COPRIRUOTA	CACHE MOYEU	RADDECKUNG	HUB CAP	TAPA RUEDA	2 (da / from 01/2006)				
59	CP050139	CAVO SEMOVENZA	CABLE D'EMBRAYAGE	SELBSTBEWEGLICHK	CABLE CLUTCH	CABLE TRACCION	1	1	1		
60	?-TAB-AC	CAVO ACCELERATOR	CABLE GAZ	KABEL	CABLE	CABLE	1	1	1		
61	?-TAB-FR	CAVO FRENO	CABLE FREIN	KABEL	CABLE	CABLE	1	1	1		
62	CP050191	MOLLA	RESSORT	FEDER	SPRING	MUELLE	1	1	1		
63	CP050193	MOLLA PARASASSI	RESSORT	FEDER	SPRING	MUELLE	1	1	1		
64	CP050192	MOLLA PARASASSI	RESSORT	FEDER	SPRING	MUELLE	1	1	1		
65	CP050194	MOLLA	RESSORT	FEDER	SPRING	MUELLE	2	2	2		
66	CP050203	ASTINA	AXE PIVOT	STANGE	HINGE PIN	EJE DEFLECTOR	1	1	1		
67	CP050212	REGOLATORE MANIC	REGLAGE DE GUIDON	STIELREGULATOR	HANDLE REGULATOR	REGULADOR MANILLA	4				
68	CP050214	COPRIRUOTA INTERN	CACHE MOYEU	RADDECKUNG	HUB CAP	TAPA RUEDA	2	2	2		
69	CP050222	FERMACAVO	ATTACHE CABLE	KABELBESCHWERER	CLIP	FIJADOR CABLE	2	2	2		
70	CP050228	POMOLO MANICO	ÉCROU	GRIFF	KNOB HANDLE	POMO MANILLAR	4	4	4		
71	CP050230	RONDELLA	RONDELLE	SCHEIBE	WASHER	ARANDELA	6	6	6		
72	CP050234	RONDELLA	RONDELLE	SCHEIBE	WASHER	ARANDELA	2	2	2		
73	CP050238	RONDELLA	RONDELLE	SCHEIBE	WASHER	ARANDELA	4	4	4		
74	CP050241	PULEGGIA D.60	POULIE	RIEMENSCHIEBE	PULLEY	POLEA	1	1	1		
75	CP050243	STAFFETTA REGISTR	EQUARRE	WINKELMASS	BRACKET	ABRAZDERA CABLE	1	1	1		
76	CP053250	RONDELLA	RONDELLE	SCHEIBE	WASHER	ARANDELA	1	1	1		

POS.	CODICE	I	F	D	GB	E	GT 57 S	GX 57 S	AK 57 S
77	CP050262	PULEGGIA MOTORE 2	POULIE	RIEMENSCHLEIBE	PULLEY	POLEA	1 (fino a / till 03/1999)		
78	CP050268	PIASTRA	PLAQUE	PLÄTTCHEN	PLATE	PLANCHA	1	1	1
79	CP050269	PIASTRA	PLAQUE	PLÄTTCHEN	PLATE	PLANCHA	1	1	1
80	CP050298	INGRANAGGIO	PIGNON	GETRIEBE	PINION	ENGRANAJE	2	2	2
81	CP050965	VITE LAMA 10.9	VIS 10.9	SCHRAUBE 10.9	SCREW 10.9	TORNILLO 10.9	1	1	1
82	CP053273	MOZZO LAMA 22	PORTE LAME	MESSERHALTER	BLADE ADAPTOR	PORTA CUCHILLA	1 (fino a / till 03/1999)		
83	CP053710	DECALCO	DECALQUE	ETIKETTE	DECAL	CARTEL	1		
84	CP053713	DECALCO	DECALQUE	ETIKETTE	DECAL	CARTEL		1	1
85	CP053715	DECALCO	DECALQUE	ETIKETTE	DECAL	CARTEL	1	1	1
86	CP053744	DECALCO	DECALQUE	ETIKETTE	DECAL	CARTEL	1		
87	CP053745	DECALCO	DECALQUE	ETIKETTE	DECAL	CARTEL	1		
88	CP053802	DECALCO	DECALQUE	ETIKETTE	DECAL	CARTEL	1	1	1
89	CP053806	DECALCO	DECALQUE	ETIKETTE	DECAL	CARTEL	1	1	1
90	CP053813	DECALCO	DECALQUE	ETIKETTE	DECAL	CARTEL	1	1	1
91	CP053842	DECALCO	DECALQUE	ETIKETTE	DECAL	CARTEL	1	1	1
92	CP053843	DECALCO	DECALQUE	ETIKETTE	DECAL	CARTEL	1	1	1
93	CP053861	DECALCO GALAXY	DECALQUE	ETIKETTE	DECAL	CARTEL		1	
93	CP053910	DECALCO GREENTEA	DECALQUE	ETIKETTE	DECAL	CARTEL	1		
93	CP053849	DECALCO AKITA	DECALQUE	ETIKETTE	DECAL	CARTEL			1
94	CP056116	RUOTA 230	ROUE	RAD	WHEEL	RUEDA		2	2
94	CP056118	RUOTA 230	ROUE	RAD	WHEEL	RUEDA	2	<--- (fino a / till 12/2005)	
94	CP057128.98	RUOTA 235T PH ZINCA	ROUE ACIER	VERZINKTES RAD	ZINC WHEEL	RUEDA ZINC	2	<--- (da / from 01/2006)	
95	CP056226	COPRIACCELERATOR	COUVERCLE	DECKEL	COVER	COPA PROTECTORA	1		
96	CP056242	VITE	VIS	SCHRAUBE	SCREW	TORNILLO	1	1	1
97	CP057001	CHASSIS VERDE	CARTER	GEHÄUSE	DECK	CHASIS	1		
97	CP057001.02	CHASSIS ROSSO	CARTER	GEHÄUSE	DECK	CHASIS RAL 3000		1	
97	CP057001.03	CHASSIS ARGENTO	CARTER	GEHÄUSE	DECK	CHASIS			1
98	CP057048	ASSALE ANT	AXE AVANT	VORDERACHSE	FRONT AXLE	EJE ANTERIOR	1	1	1
99	CP057058	ASSALE POS	AXE ARRIERE	HINTERACHSE	REAR AXLE	EJE POSTERIOR	1	1	1
100	CP057063	TIRANTE ASSALE	BARRE	GESTÄNGE	LINK ROD	TIRANTE EJE	1	1	1
101	CP057078	TELAIO CESTO	ATTELAGE	GRASFANGRAHMEN	FRAME	ARMAZON SACO	1	1	1
102	CP057083	TELA CESTO BIANCA	SAC RAMASSEUR	GRASFANGSACK	GRASS BAG	SACO TELA	1		1
102	CP057083.05	TELA CESTO NERA	SAC RAMASSEUR	GRASFANGSACK	GRASS BAG	SACO TELA		1	
103	CP057088	RIDUTTORE TR 57	REDUCTEUR	UNTERSETZUNGGETT	GEAR BOX ASSY	TRANSMISION	1	<--- (fino a / till 12/2004)	
103	CP057089	RIDUTTORE TD 57 PR	REDUCTEUR	UNTERSETZUNGGETT	GEAR BOX ASSY	TRANSMISION	1	<--- (da / from 01/2005)	
104	CP057013	LAMA	LAME	MESSER	BLADE	CUCHILLA	1	1	1
105	CP060640	VITE TC	VIS	SCHRAUBE	SCREW	TORNILLO	2	2	2
106	CP053274	MOZZO CON PULEGGIA	PORTE LAME + POULIE	MESSERHALTER	BLADE ADAPTOR+PULLEY	PORTA CUCHILLA+PO	1 (da/from 04/1999 a/to 05/2003)		
106	CP053274A	MOZZO CON PULEGGIA	PORTE LAME + POULIE	MESSERHALTER	BLADE ADAPTOR+PULLEY	PORTA CUCHILLA+PO	1 (da / from 06/2003)		
107	CP057238	RONDELLA	RONDELLE	SCHEIBE	WASHER	ARANDELA	1	1	1
108	CP058013	LAMA	LAME	MESSER	BLADE	CUCHILLA	OPTIONAL		
109	CP052225	INNESTO RAPIDO	RACCORD DE L'EAU	SPUELDUESE	WATER CONNECTOR	ENLACE	1	1	1

MX 57 H



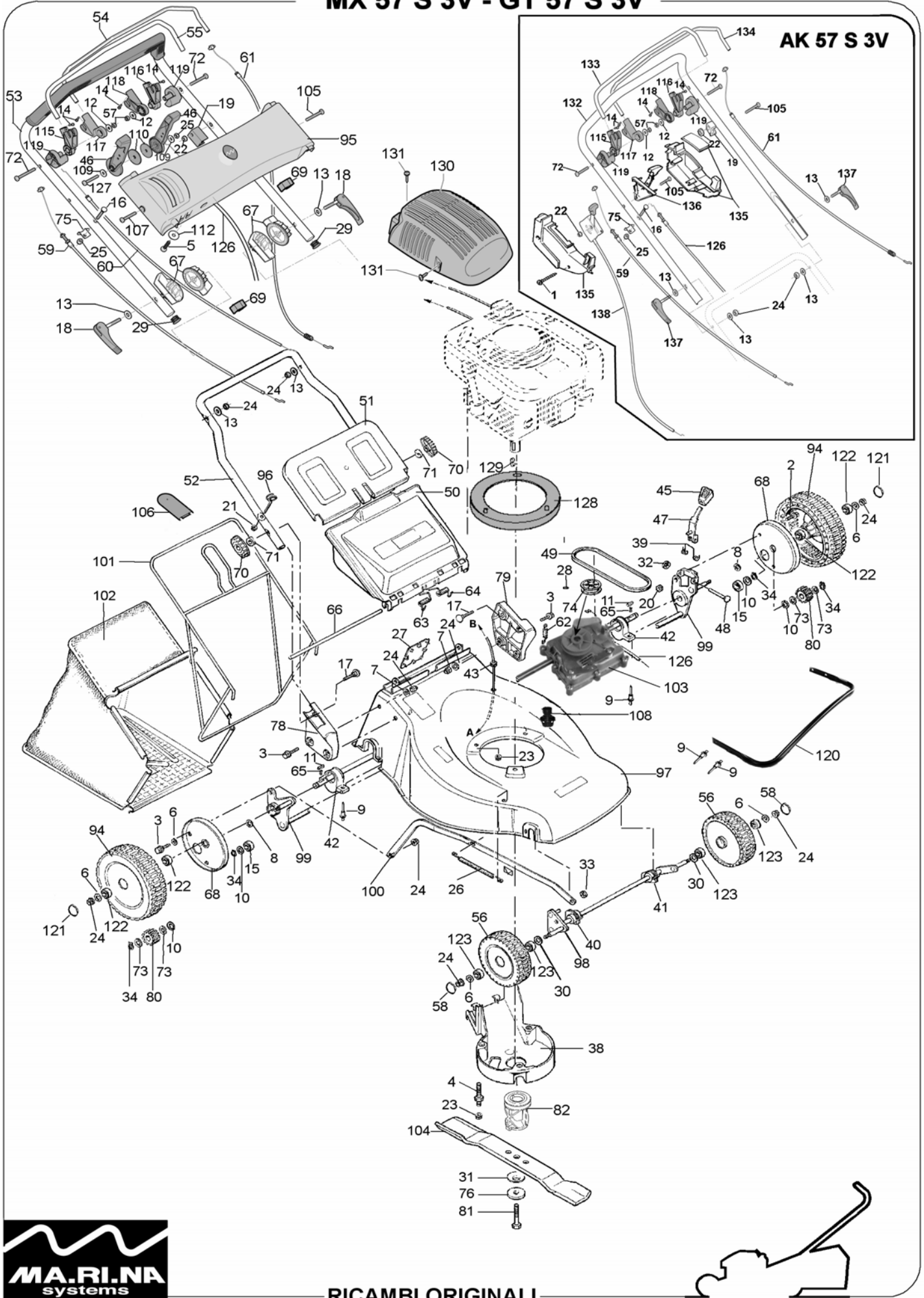
RICAMBI ORIGINALI



POS.	CODICE	I	F	D	GB	E	MX 57 S	MX 57 S RA
2	CP030812	VITE TE	VIS	SCHRAUBE	SCREW	TORNILLO	1	1
3	CP030825	VITE TE	VIS	SCHRAUBE	SCREW	TORNILLO	5	5
4	CP030840	VITE TE	VIS	SCHRAUBE	SCREW	TORNILLO	3	3
5	CP026322	VITE AUTOF.	VIS	SCHRAUBE	SCREW	TORNILLO	1	1
6	CP032908	RONDELLA	RONDELLE	SCHEIBE	WASHER	ARANDELA	3	3
7	CP032909	RONDELLA	RONDELLE	SCHEIBE	WASHER	ARANDELA	4	4
8	CP032913	RONDELLA	RONDELLE	SCHEIBE	WASHER	ARANDELA	4	4
9	CP034615	RIVETTO	RIVET	NIET	RIVET	CLAVO	8	8
10	CP035905	RASAMENTO	RONDELLE	SCHEIBE	WASHER	ARANDELA	4	4
11	CP037305	CHIAVETTA	CLAVETTE	SCHLÜSSELCHEN	WOODRUFF KEY	CHAVETA	2	2
12	CP032926	RONDELLA	RONDELLE	SCHEIBE	WASHER	ARANDELA	2	2
13	CP032924	RONDELLA	RONDELLE	SCHEIBE	WASHER	ARANDELA	4	4
14	CP023595	VITE	VIS	SCHRAUBE	SCREW	TORNILLO	4	4
15	CP038228	CUSCINETTO	ROULEMENT	KUGELLAGER	BALL BEARING	COJINETE	2	10
16	CP040630	VITE TTQST	VIS	SCHRAUBE	SCREW	TORNILLO	1	1
17	CP040850	VITE TTQST	VIS	SCHRAUBE	SCREW	TORNILLO	2	2
18	CP047224	LEVA COMPLETA LUN	LEVIER	STANGE	LEVER	LEVA	2	2
19	CP042216	BLOCCHETTO CAVO F	ATTACHE CABLE FRE	KABELBESCHWERER	CLIP	FIJADOR CABLE	1	1
20	CP042708	DADO	ÉCROU	MUTTER	KNOB	ESPARRAGO	1	1
21	CP042805	DADO	ÉCROU	MUTTER	KNOB	ESPARRAGO	2	2
22	CP042806	DADO	ÉCROU	MUTTER	KNOB	ESPARRAGO	2	2
23	CP042808	DADO	ÉCROU	MUTTER	KNOB	ESPARRAGO	6	6
24	CP044708	DADO	ÉCROU	MUTTER	KNOB	ESPARRAGO	8	8
25	CP044906	DADO	ÉCROU	MUTTER	KNOB	ESPARRAGO	2	2
26	CP045192	MOLLA	RESSORT	FEDER	SPRING	MUELLE	1	1
27	CP045225	COPERCHIETTO	COUVERCLE	KAPPE	CAP	TAPA	1	1
28	CP045530	SPINA	GOUPILLE	DORN	PIN	PASADOR	1	1
29	CP045722	TAPPO	COUVERCLE	KAPPE	CAP	TAPA	2	2
31	CP045911	MOLLA A TAZZA	RONDELLE	SCHEIBE	WASHER	MUELLE	1	1
32	CP046606	RITEGNO	CLIP	RÜCKHALT	RETAINER	ANILLO CLIP	1	1
33	CP046607	RITEGNO	CLIP	RÜCKHALT	RETAINER	ANILLO CLIP	1	1
34	CP046812	SEEGER	SEEGER	RUCKHALT	RETAINER	ANILLO CLIP	4	4
38	CP047096	COPRICINGHIA	COUVERCLE COURRO	RIEMENSCHUTZ	BELT COVER	TAPA	1	1
39	CP047191	MOLLA	RESSORT	FEDER	SPRING	MUELLE	1	1
40	CP053212	SUPPORTO ASSALE	SUPPORT	ACHSELAGER	SUPPORT	SOPORTE	1	1
41	CP053213	SUPPORTO ASSALE	SUPPORT	ACHSELAGER	SUPPORT	SOPORTE	1	1
42	CP047215	SUPPORTO ASSALE	SUPPORT	ACHSELAGER	SUPPORT	SOPORTE	2	2
43	CP047217	PASSACAVO	JOINTE	RING	RING	ANILLO	1	1
45	CP047236	CAPPUCCIO	CACHE MOYEU	KAPPE	HOOD	POMO	1	1
46	CP050224	LEVA DI COMANDO	LEVIER	STANGE	LEVER	LEVA	1	1
47	CP047255	LEVA ALZO	LEVIER	STANGE	LEVER	LEVA ALTURAS	1	1
48	CP047267	PERNO	GOUJON	ZAPFEN	PIN	PERNO	1	1
49	CP047835	CINGHIA Z 35 - Z 34 1/	COURROIE	RIEMEN	BELT	CORREA	1	1
50	CP050018.02	PARASASSI ROSSO	DEFLECTEUR	DEFLEKTOR	REAR DOOR	DEFLECTÓR	1	1
51	CP050023	COPRICESTO NERO	COUVERCLE	GRASFANFSACKDECK	BAG COVER	CARCASA	1	1
52	CP050033	MANICO INF.	GUIDON	STIEL	HANDLE	MANILLAR	1	1
53	CP051043	MANICO SUP.	GUIDON	STIEL	HANDLE	MANILLAR	1	1
54	CP052068	LEVA INNESTO	LEVIER EMBRAYAGE	STANGE	LEVER CLUTCH	LEVA	1	1
55	CP052073	LEVA FRENO	LEVIER FREIN	STANGE	LEVER	LEVA	1	1
56	CP050108	RUOTA 180	ROUE	RAD	WHEEL	RUEDA	2 till 10/2005	
56	CP047118.98	RUOTA 180 PH ZINCA	ROUE ACIER	VERZINKTES RAD	ZINC WHEEL	RUEDA ZINC	2 from 11/2005	
56	CP056113	RUOTA 180	ROUE	RAD	WHEEL	RUEDA		2
57	CP044726	DADO	ÉCROU	MUTTER	KNOB	ESPARRAGO	2	2
58	CP050127.23	COPRIRUOTA 180	CACHE MOYEU	RADDECKUNG	HUB CAP	TAPA RUEDA	2 till 10/2005	
58	CP047133	COPRIRUOTA	CACHE MOYEU	RADDECKUNG	HUB CAP	TAPA RUEDA	2 from 11/2005	
58	CP056133	COPRIRUOTA	CACHE MOYEU	RADDECKUNG	HUB CAP	TAPA RUEDA		2
59	CP052138	CAVO SEMOVENZA	CABLE D'EMBRAYAGE	SELBSTBEWEGLICHK	CABLE CLUTCH	CABLE TRACCION	1	1
60	CP050145	CAVO ACCELERATOR	CABLE GAZ	BESCHLEUNIGER	THROTTLE CABLE	ACELERADOR	1 for B&S engine	
60	CP053145	CAVO ACCELERATOR	CABLE GAZ	BESCHLEUNIGER	THROTTLE CABLE	ACELERADOR	1 for Honda engine	
61	CP046149	CAVO FRENO	CABLE FREIN	KABEL	CABLE	CABLE	1 for B&S engine	
61	CP052149	CAVO FRENO	CABLE FREIN	KABEL	CABLE	CABLE	1 for Honda engine	
62	CP050191	MOLLA	RESSORT	FEDER	SPRING	MUELLE	1	1
63	CP050193	MOLLA PARASASSI	RESSORT	FEDER	SPRING	MUELLE	1	1
64	CP050192	MOLLA PARASASSI	RESSORT	FEDER	SPRING	MUELLE	1	1
65	CP050194	MOLLA	RESSORT	FEDER	SPRING	MUELLE	2	2
66	CP050203	ASTINA	AXE PIVOT	STANGE	HINGE PIN	EJE DEFLECTOR	1	1
67	CP050212	REGOLATORE MANIC	REGLAGE DE GUIDON	STIELREGULATOR	HANDLE REGULATOR	REGULADOR MANILLA	4	4
68	CP050214	COPRIRUOTA INTERN	CACHE MOYEU	RADDECKUNG	HUB CAP	TAPA RUEDA	2	2
69	CP050222	FERMACAVO	ATTACHE CABLE	KABELBESCHWERER	CLIP	FIJADOR CABLE	2	2
70	CP050228	POMOLO MANICO	ÉCROU	GRIFF	KNOB HANDLE	POMO MANILLAR	2	2
71	CP050230	RONDELLA	RONDELLE	SCHEIBE	WASHER	ARANDELA	2	2
72	CP060656	VITE	VIS	SCHRAUBE	SCREW	TORNILLO	2	2
73	CP050238	RONDELLA	RONDELLE	SCHEIBE	WASHER	ARANDELA	4	4
74	CP050241	PULEGGIA D.60	POULIE	RIEMENSCHIBE	PULLEY	POLEA	1	1
75	CP052243	STAFFETTA REGISTR	EQUARRE	WINKELMASS	BRACKET	ABRAZADERA CABLE	1	1
76	CP053250	RONDELLA	RONDELLE	SCHEIBE	WASHER	ARANDELA	1	1
78	CP050268	PIASTRA	PLAQUE	PLÄTTCHEN	PLATE	PLANCHA	1	1
79	CP050269	PIASTRA	PLAQUE	PLÄTTCHEN	PLATE	PLANCHA	1	1
80	CP050298	INGRANAGGIO	PIGNON	GETRIEBE	PINION	ENGRANAJE	2	2
81	CP050965	VITE LAMA 10.9	VIS 10.9	SCHRAUBE 10.9	SCREW 10.9	TORNILLO 10.9	1	1
82	CP053274A	MOZZO CON PULEGG	PORTE LAME + POULI	MESSERHALTER	BLADE ADAPTOR+PUL	PORTA CUCHILLA+PO	1	1
83	CP053710	DECALCO	DECALQUE	ETIKETTE	DECAL	CARTEL	1	1
85	CP053715	DECALCO	DECALQUE	ETIKETTE	DECAL	CARTEL	1	1

POS.	CODICE	I	F	D	GB	E	MX 57 S	MX 57 S RA
86	CP053730.05	DECALCO	DECALQUE	ETIKETTE	DECAL	CARTEL	1	1
87	CP053731.05	DECALCO	DECALQUE	ETIKETTE	DECAL	CARTEL	1	1
88	CP053802	DECALCO	DECALQUE	ETIKETTE	DECAL	CARTEL	1	1
89	CP053806	DECALCO	DECALQUE	ETIKETTE	DECAL	CARTEL	1	1
90	CP053813	DECALCO	DECALQUE	ETIKETTE	DECAL	CARTEL	1	1
91	CP053842	DECALCO	DECALQUE	ETIKETTE	DECAL	CARTEL	1	1
92	CP053843	DECALCO	DECALQUE	ETIKETTE	DECAL	CARTEL	1	1
93	CP053908	DECALCO MARINOX	DECALQUE	ETIKETTE	DECAL	CARTEL	1	1
94	CP056118	RUOTA 230	ROUE	RAD	WHEEL	RUEDA	2 till 10/2005	
94	CP057128.98	RUOTA 235T PH ZINCA	ROUE ACIER	VERZINKTES RAD	ZINC WHEEL	RUEDA ZINC	2 from 11/2005	
94	CP056123	RUOTA 245	ROUE	RAD	WHEEL	RUEDA		2
95	CP050225.02	PLANCIA ROSSA 3000	TABLEAU DE BORD	ARMATURENBRETT	DASH-BOARD	PLACA DEL MANILLAR	1	1
96	CP056242	VITE	VIS	SCHRAUBE	SCREW	TORNILLO	1	1
97	CP057001.90	CHASSIS INOX	CARTER	GEHÄUSE	DECK	CHASIS	1	1
98	CP057048	ASSALE ANT	AXE AVANT	VORDERACHSE	FRONT AXLE	EJE ANTERIOR	1	1
99	CP057058	ASSALE POS	AXE ARRIERE	HINTERACHSE	REAR AXLE	EJE POSTERIOR	1	1
100	CP057063	TIRANTE ASSALE	BARRE	GESTÄNGE	LINK ROD	TIRANTE EJE	1	1
101	CP057078	TELAIO CESTO	ATTELAGE	GRASFANGGRAHMEN	FRAME	ARMAZON SACO	1	1
102	CP057083	TELA CESTO BIANCA	SAC RAMASSEUR	GRASFANGSACK	GRASS BAG	SACO TELA	1	1
103	CP057089	RIDUTTORE TD 57 PR	REDUCTEUR	UNTERSETZUNGGETR	GEAR BOX ASSY	TRANSMISION	1	1
104	CP057013	LAMA	LAME	MESSER	BLADE	CUCHILLA	1	1
105	CP060640	VITE TC	VIS	SCHRAUBE	SCREW	TORNILLO	1	1
106	CP047257	VITE 8X75	VIS	SCHRAUBE	SCREW	TORNILLO	1	1
107	CP060630	VITE TC	VIS	SCHRAUBE	SCREW	TORNILLO	2	2
108	CP052225	INNESTO RAPIDO	RACCORD DE L'EAU	SPELDEUSE	WATER CONNECTOR	ENLACE	1	1
109	CP032907	RONDELLA	RONDELLE	SCHEIBE	WASHER	ARANDELA	3	3
110	CP053238	RONDELLA	RONDELLE	SCHEIBE	WASHER	ARANDELA	1	1
112	CP032916	RONDELLA	RONDELLE	SCHEIBE	WASHER	ARANDELA	1	1
113	CP053918	DECALCO	DECALQUE	ETIKETTE	DECAL	CARTEL	1	1
115	CP512575	SUPPORTO DX LEVA	SUPPORT	AUFNAHMEBÜGEL	SUPPORT	SOPORTE	2	2
116	CP512724	SUPPORTO SX LEVA	SUPPORT	AUFNAHMEBÜGEL	SUPPORT	SOPORTE	2	2
117	CP512721	SUPPORTO SX SEMO	SUPPORT	WIDERLAGER	SUPPORT	SOPORTE	1	1
118	CP512722	SUPPORTO DX SEMO	SUPPORT	WIDERLAGER	SUPPORT	SOPORTE	1	1
119	CP057252	MANIGLIA	POIGNEE	GRIFF	HANDLE	MANGO	1	1
120	CP050133.23	COPRIRUOTA 200-230	CACHE MOYEU	RADDECKUNG	HUB CAP	TAPA RUEDA	2 till 10/2005	
120	CP047133	COPRIRUOTA	CACHE MOYEU	RADDECKUNG	HUB CAP	TAPA RUEDA	2 from 11/2005	
120	CP056133	COPRIRUOTA	CACHE MOYEU	RADDECKUNG	HUB CAP	TAPA RUEDA		2
121	CP038226	CUSCINETTO 12X26	ROULEMENT	KUGELLAGER	BALL BEARING	COJINETE	4 till 10/2005	
121	CP038228	CUSCINETTO	ROULEMENT	KUGELLAGER	BALL BEARING	COJINETE	4 from 11/2005	
122	CP038227	CUSCINETTO 12X27	ROULEMENT	KUGELLAGER	BALL BEARING	COJINETE	4 till 10/2005	
122	CP038228	CUSCINETTO	ROULEMENT	KUGELLAGER	BALL BEARING	COJINETE	4 from 11/2005	
123	CP032813	RONDELLA	RONDELLE	SCHEIBE	WASHER	ARANDELA	2	
123	CP032913	RONDELLA	RONDELLE	SCHEIBE	WASHER	ARANDELA		2
124	CP042808	DADO	ÉCROU	MUTTER	KNOB	ESPARRAGO	2	
124	CP044708	DADO	ÉCROU	MUTTER	KNOB	ESPARRAGO		2
125	CP032908	RONDELLA	RONDELLE	SCHEIBE	WASHER	ARANDELA		2
126	CP046225	IMPUGNATURA	COUVERCLE	SCHUTZ	COVER	TAPA	OPTIONAL	

MX 57 S 3V - GT 57 S 3V

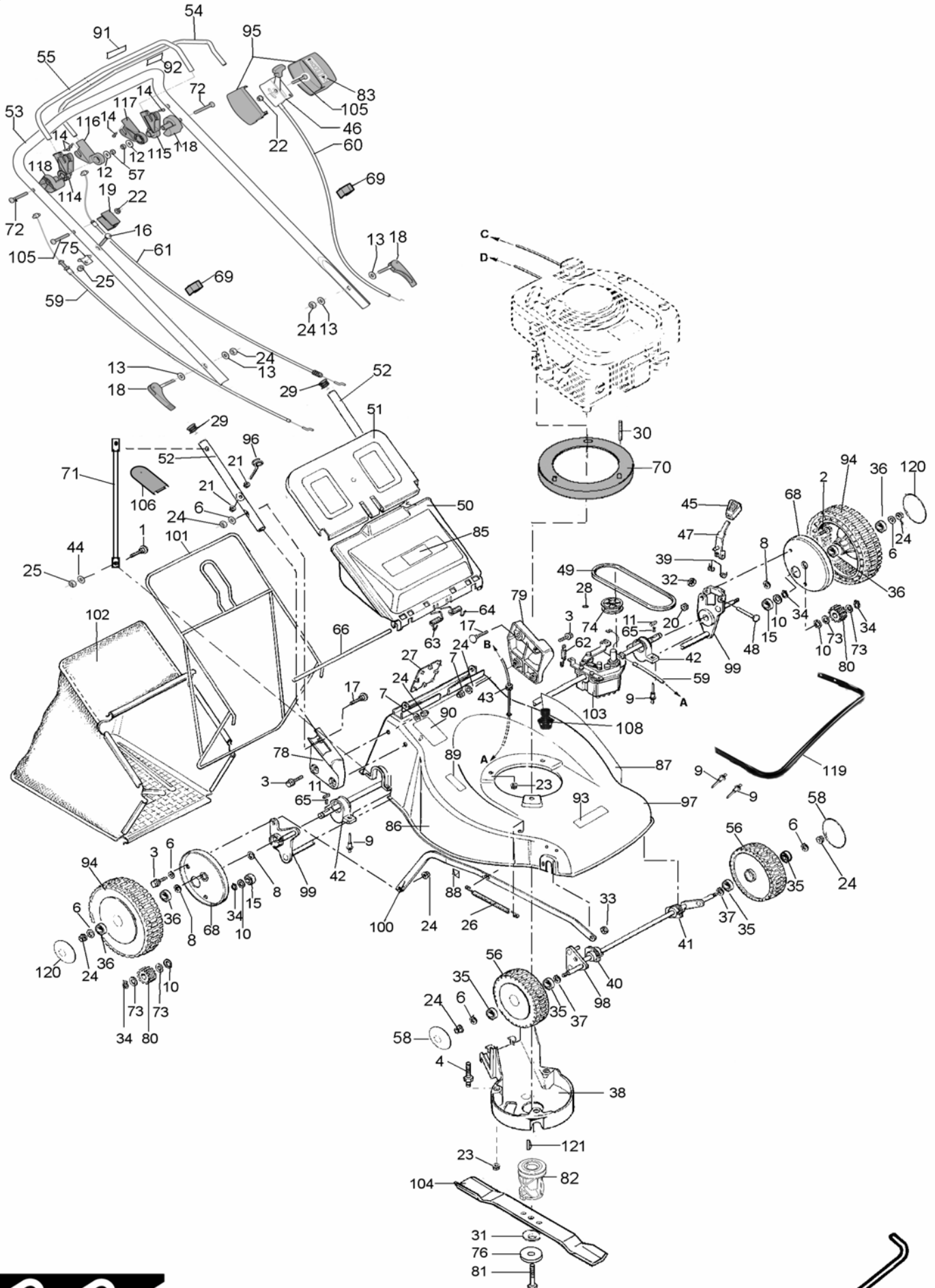


RICAMBI ORIGINALI

POS.	CODICE	I	F	D	GB	E	MX 57 S 3V	GT 57 S 3V	AK 57 S 3V
1	CP025040	VITE AUTOF.	VIS	SCHRAUBE	SCREW	TORNILLO			2
2	CP030812	VITE TE	VIS	SCHRAUBE	SCREW	TORNILLO	1	1	1
3	CP030825	VITE TE	VIS	SCHRAUBE	SCREW	TORNILLO	5	5	5
4	CP047925	VITE TRILOB.	VIS	SCHRAUBE	SCREW	TORNILLO	3 x B&S - HONDA ENGINE		
4	CP047943	VITE TRILOB.	VIS	SCHRAUBE	SCREW	TORNILLO	3 x KAWASAKI ENGINE		
5	CP026322	VITE AUTOF.	VIS	SCHRAUBE	SCREW	TORNILLO	1	1	
6	CP032908	RONDELLA	RONDELLE	SCHEIBE	WASHER	ARANDELA	5	5	5
7	CP032909	RONDELLA	RONDELLE	SCHEIBE	WASHER	ARANDELA	4	4	4
8	CP032913	RONDELLA	RONDELLE	SCHEIBE	WASHER	ARANDELA	4	4	2
9	CP034615	RIVETTO	RIVET	NIET	RIVET	CLAVO	8	8	4
10	CP035905	RASAMENTO	RONDELLE	SCHEIBE	WASHER	ARANDELA	4	4	4
11	CP037305	CHIAVETTA	CLAVETTE	SCHLÜSSELCHEN	WOODRUFF KEY	CHAVETA	2	2	2
12	CP032926	RONDELLA	RONDELLE	SCHEIBE	WASHER	ARANDELA	2	2	2
13	CP032924	RONDELLA	RONDELLE	SCHEIBE	WASHER	ARANDELA	4	4	4
14	CP023595	VITE	VIS	SCHRAUBE	SCREW	TORNILLO	4	4	4
15	CP038228	CUSCINETTO	ROULEMENT	KUGELLAGER	BALL BEARING	COJINETE	2	2	2
16	CP040630	VITE TTQST	VIS	SCHRAUBE	SCREW	TORNILLO	1	1	1
17	CP040850	VITE TTQST	VIS	SCHRAUBE	SCREW	TORNILLO	2	2	2
18	CP047224	LEVA COMPLETA LUN	LEVIER	STANGE	LEVER	LEVA	2	2	
19	CP042216	BLOCCETTO CAVO F	ATTACHE CABLE FRE	KABELBESCHWERER	CLIP	FIJADOR CABLE	1	1	1
20	CP042708	DADO	ÉCROU	MUTTER	KNOB	ESPARRAGO	1	1	1
21	CP042805	DADO	ÉCROU	MUTTER	KNOB	ESPARRAGO	2	2	2
22	CP042806	DADO	ÉCROU	MUTTER	KNOB	ESPARRAGO	2	2	2
23	CP042808	DADO	ÉCROU	MUTTER	KNOB	ESPARRAGO	3	3	3
24	CP044708	DADO	ÉCROU	MUTTER	KNOB	ESPARRAGO	10	10	10
25	CP044906	DADO	ÉCROU	MUTTER	KNOB	ESPARRAGO	2	2	1
26	CP045192	MOLLA	RESSORT	FEDER	SPRING	MUELLE	1	1	1
27	CP045225	COPERCHIETTO	COUVERCLE	KAPPE	CAP	TAPA	1	1	1
28	CP045530	SPINA	GOUPILLE	DORN	PIN	PASADOR	1	1	1
29	CP045722	TAPPO	COUVERCLE	KAPPE	CAP	TAPA	2	2	
30	CP032913	RONDELLA	RONDELLE	SCHEIBE	WASHER	ARANDELA	2	2	
30	CP032813	RONDELLA	RONDELLE	SCHEIBE	WASHER	ARANDELA			2
31	CP045911	MOLLA A TAZZA	RONDELLE	SCHEIBE	WASHER	MUELLE	1	1	1
32	CP046606	RITEGNO	CLIP	RÜCKHALT	RETAINER	ANILLO CLIP	1	1	1
33	CP046607	RITEGNO	CLIP	RÜCKHALT	RETAINER	ANILLO CLIP	1	1	1
34	CP046812	SEEGER	SEEGER	RÜCKHALT	RETAINER	ANILLO CLIP	4	4	4
38	CP047096	COPRICINGHIA	COUVERCLE COURRO	RIEMENSCHUTZ	BELT COVER	TAPA	1	1	1
39	CP047191	MOLLA	RESSORT	FEDER	SPRING	MUELLE	1	1	1
40	CP053212	SUPPORTO ASSALE	SUPPORT	ACHSELAGER	SUPPORT	SOPORTE	1	1	1
41	CP053213	SUPPORTO ASSALE	SUPPORT	ACHSELAGER	SUPPORT	SOPORTE	1	1	1
42	CP047215	SUPPORTO ASSALE	SUPPORT	ACHSELAGER	SUPPORT	SOPORTE	2	2	2
43	CP047217	PASSACAVO	JOINTE	RING	RING	ANILLO	1	1	1
45	CP047236	CAPPUCCIO	CACHE MOYEU	KAPPE	HOOD	POMO	1	1	1
46	CP050224	LEVA DI COMANDO	LEVIER	STANGE	LEVER	LEVA	2	2	
47	CP047255	LEVA ALZO	LEVIER	STANGE	LEVER	LEVA ALTURAS	1	1	1
48	CP047267	PERNO	GOIJON	ZAPFEN	PIN	PERNO	1	1	1
49	CP047734	CINGHIA Z 34 1/4	COURROIE	RIEMEN	BELT	CORREA	1	1	1
50	CP050018.02	PARASASSI ROSSO	DEFLECTEUR	DEFLEKTOR	REAR DOOR	DEFLECTÓR	1		
50	CP050018	PARASASSI	DEFLECTEUR	DEFLEKTOR	REAR DOOR	DEFLECTÓR		1	1
51	CP050023	COPRICESTO NERO	COUVERCLE	GRASFANFSACKDECK	BAG COVER	CARCASA	1	1	
52	CP050033	MANICO INF.	GUIDON	STIEL	HANDLE	MANILLAR	1	1	1
53	CP051043	MANICO SUP.	GUIDON	STIEL	HANDLE	MANILLAR	1	1	
54	CP052068	LEVA INNESTO	LEVIER EMBRAYAGE	STANGE	LEVER CLUTCH	LEVA	1	1	
55	CP052073	LEVA FRENO	LEVIER FREIN	STANGE	LEVER	LEVA	1	1	
56	CP047118.98	RUOTA 180 PH ZINCA	ROUE ACIER	VERZINKTES RAD	ZINC WHEEL	RUEDA ZINC	2	2	
56	CP050106	RUOTA 180	ROUE	RAD	WHEEL	RUEDA			2
57	CP044726	DADO	ÉCROU	MUTTER	KNOB	ESPARRAGO	2	2	2
58	CP047133	COPRIRUOTA	CACHE MOYEU	RADDECKUNG	HUB CAP	TAPA RUEDA	2	2	
58	CP050127	COPRIRUOTA 180	CACHE MOYEU	RADDECKUNG	HUB CAP	TAPA RUEDA			2
59	CP052138	CAVO SEMOVENZA	CABLE D'EMBRYAGE	SELBSTBEWEGLICHK	CABLE CLUTCH	CABLE TRACCION	1	1	1
60	CP050145	CAVO ACCELERATOR	CABLE GAZ	BESCHLEUNIGER	THROTTLE CABLE	ACELERADOR	1 x B&S engine		
60	CP056145	CAVO ACCELERATOR	CABLE GAZ	BESCHLEUNIGER	THROTTLE CABLE	ACELERADOR	1 x Honda engine		
61	CP052146	CAVO FRENO	CABLE FREIN	KABEL	CABLE	CABLE	1 x B&S - Honda engine		
61	CP052149	CAVO FRENO	CABLE FREIN	KABEL	CABLE	CABLE	1 x Kawasaki engine		
62	CP057191	MOLLA TENDICINGHIA	RESSORT	FEDER	SPRING	MUELLE	1	1	1
63	CP050193	MOLLA PARASASSI	RESSORT	FEDER	SPRING	MUELLE	1	1	1
64	CP050192	MOLLA PARASASSI	RESSORT	FEDER	SPRING	MUELLE	1	1	1
65	CP050194	MOLLA	RESSORT	FEDER	SPRING	MUELLE	2	2	2
66	CP050203	ASTINA	AXE PIVOT	STANGE	HINGE PIN	EJE DEFLECTOR	1	1	1
67	CP050212	REGOLATORE MANICO	REGLAGE DE GUIDON	STIELREGULATOR	HANDLE REGULATOR	REGULADOR MANILLA	4	4	
68	CP050214	COPRIRUOTA INTERN	CACHE MOYEU	RADDECKUNG	HUB CAP	TAPA RUEDA	2	2	2
69	CP050222	FERMACAVO	ATTACHE CABLE	KABELBESCHWERER	CLIP	FIJADOR CABLE	2	2	2
70	CP050228	POMOLO MANICO	ÉCROU	GRIFF	KNOB HANDLE	POMO MANILLAR	2	2	2
71	CP050230	RONDELLA	RONDELLE	SCHEIBE	WASHER	ARANDELA	2	2	2
72	CP060656	VITE	VIS	SCHRAUBE	SCREW	TORNILLO	2	2	2
73	CP050238	RONDELLA	RONDELLE	SCHEIBE	WASHER	ARANDELA	4	4	4
74	CP050240	PULEGGIA D.55	POULIE	RIEMENSCHNEIBE	PULLEY	POLEA	1	1	1
75	CP052243	STAFFETTA REGISTR	EQUARRE	WINKELMASS	BRACKET	ABRAZADERA CABLE	1	1	1
76	CP053250	RONDELLA	RONDELLE	SCHEIBE	WASHER	ARANDELA	1	1	1
78	CP050268	PIASTRA	PLAQUE	PLÄTTCHEN	PLATE	PLANCHA	1	1	1
79	CP050269	PIASTRA	PLAQUE	PLÄTTCHEN	PLATE	PLANCHA	1	1	1
80	CP050298	INGRANAGGIO	PIGNON	GETRIEBE	PINION	ENGRANAJE	2	2	2
81	CP050965	VITE LAMA 10.9	VIS 10.9	SCHRAUBE 10.9	SCREW 10.9	TORNILLO 10.9	1	1	1

POS.	CODICE	I	F	D	GB	E	MX 57 S 3V	GT 57 S 3V	AK 57 S 3V
82	CP053274B22	MOZZO D.22.2 +PULE	PORTE LAME + POULI	MESSERHALTER	BLADE ADAPTOR+PU	PORTA CUCHILLA+PO	1	1	1
94	CP057128.98	RUOTA 235T PH ZINCA	ROUE ACIER	VERZINKTES RAD	ZINC WHEEL	RUEDA ZINC	2	2	
94	CP056116	RUOTA 230	ROUE	RAD	WHEEL	RUEDA			2
95	CP050225.02	PLANCIA ROSSA 3000	TABEAU DE BORD	ARMATURENBRETT	DASH-BOARD	PLACA DEL MANILLAR	1		
95	CP050225	PLANCIA GRIGIA 7035	TABEAU DE BORD	ARMATURENBRETT	DASH-BOARD	PLACA DEL MANILLAR		1	
96	CP056242	VITE	VIS	SCHRAUBE	SCREW	TORNILLO	1	1	1
97	CP057001.90	CHASSIS INOX	CARTER	GEHÄUSE	DECK	CHASIS	1		
97	CP057001	CHASSIS VERDE	CARTER	GEHÄUSE	DECK	CHASIS		1	
97	CP057001.03	CHASSIS ARGENTO	CARTER	GEHÄUSE	DECK	CHASIS			1
98	CP057048	ASSALE ANT	AXE AVANT	VORDERACHSE	FRONT AXLE	EJE ANTERIOR	1	1	1
99	CP057058	ASSALE POS	AXE ARRIERE	HINTERACHSE	REAR AXLE	EJE POSTERIOR	1	1	1
100	CP057063	TIRANTE ASSALE	BARRE	GESTÄNGE	LINK ROD	TIRANTE EJE	1	1	1
101	CP057078	TELAIO CESTO	ATTELAGE	GRASFANGRAHMEN	FRAME	ARMAZON SACO	1	1	1
102	CP057083	TELA CESTO BIANCA	SAC RAMASSEUR	GRASFANGSACK	GRASS BAG	SACO TELA	1	1	1
103	CP057091	CAMBIO A 3 VELOCITA	REDUCTEUR	UNTERSETZUNGGETR	GEAR BOX 3 SPEED	TRANSMISION	1	1	1
104	CP057013	LAMA	LAME	MESSER	BLADE	CUCHILLA	1	1	1
105	CP060640	VITE TC	VIS	SCHRAUBE	SCREW	TORNILLO	1	1	2
106	CP046225	IMPUGNATURA	COUVERCLE	SCHUTZ	COVER	TAPA		1 OPTIONAL	
107	CP060630	VITE TC	VIS	SCHRAUBE	SCREW	TORNILLO	1	1	
108	CP052225	INNESTO RAPIDO	RACCORD DE L'EAU	SPUELDUESE	WATER CONNECTOR	ENLACE	1	1	1
109	CP032907	RONDELLA	RONDELLE	SCHEIBE	WASHER	ARANDELA	3	3	1
110	CP053238	RONDELLA	RONDELLE	SCHEIBE	WASHER	ARANDELA	2	2	
112	CP032916	RONDELLA	RONDELLE	SCHEIBE	WASHER	ARANDELA	1	1	
115	CP052216	SUPPORTO LEVA FRE	SUPPORT	AUFNAHMEBÜGEL	SUPPORT	SOPORTE	1	1	1
116	CP052217	SUPPORTO LEVA FRE	SUPPORT	AUFNAHMEBÜGEL	SUPPORT	SOPORTE	1	1	1
117	CP052218	SUPPORTO LEVA SEM	SUPPORT	AUFNAHMEBÜGEL	SUPPORT	SOPORTE	1	1	1
118	CP052219	SUPPORTO LEVA SEM	SUPPORT	AUFNAHMEBÜGEL	SUPPORT	SOPORTE	1	1	1
119	CP052220	SUPPORTO PER SUPP	SUPPORT	AUFNAHMEBÜGEL	SUPPORT	SOPORTE	2	2	2
120	CP057252	MANIGLIA	POIGNEE	GRIFF	HANDLE	MANGO	1	1	
121	CP047133	COPRIRUOTA	CACHE MOYEU	RADDECKUNG	HUB CAP	TAPA RUEDA	2	2	
121	CP050132	COPRIRUOTA 200-230	CACHE MOYEU	RADDECKUNG	HUB CAP	TAPA RUEDA			2
122	CP038228	CUSCINETTO	ROULEMENT	KUGELLAGER	BALL BEARING	COJINETE	4	4	
122	CP038226	CUSCINETTO 12X26	ROULEMENT	KUGELLAGER	BALL BEARING	COJINETE			4
123	CP038228	CUSCINETTO	ROULEMENT	KUGELLAGER	BALL BEARING	COJINETE	4	4	
123	CP038227	CUSCINETTO 12X27	ROULEMENT	KUGELLAGER	BALL BEARING	COJINETE			4
126	CP057153	CAVO CAMBIO SX	CABLE	KABEL	CABLE	CABLE	1 x KAWASAKI ENGINE		
126	CP057154	CAVO CAMBIO DX	CABLE	KABEL	CABLE	CABLE	1 x B&S - HONDA ENGINE		
127	CP060645	VITE TC	VIS	SCHRAUBE	SCREW	TORNILLO	1	1	
128	CP056174	ANELLO DISTANZIATO	ANNEAU	RING	RING	ANILLO	1 x KAWASAKI ENGINE		
129	CP037406	CHIAVETTA	CLAVETTE	SCHLÜSSELCHEN	WOODRUFF KEY	CHAVETA	1 OPTIONAL		
130	CP052105	CUPOLINA NERA	CALOTTE	VERKLEIDUNG	COVER	CARCASA		1 x HONDA	
130	CP052105.02	CUPOLINA ROSSA	CALOTTE	VERKLEIDUNG	COVER	CARCASA	1 x HONDA		1 x HONDA
131	CP024216	VITE	VIS	SCHRAUBE	SCREW	TORNILLO	3 x HONDA ENGINE		
132	CP046042	MANICO SUP.	GUIDON	STIEL	HANDLE	MANILLAR			1
133	CP046073	LEVA FRENO	LEVIER FREIN	STANGE	LEVER	LEVA			1
134	CP046068	LEVA INNESTO	LEVIER EMBRAYAGE	STANGE	LEVER CLUTCH	LEVA			1
135	CP056226	COPRIACCELERATOR	COUVERCLE	DECKEL	COVER	COPA PROTECTORA			1
136	CP057250	COMANDO CAMBIO	MANETTE	STANGE	LEVER	LEVA			1
137	CP047222	LEVA COMPLETA COR	LEVIER	STANGE	LEVER	LEVA			2
138	CP050143	CAVO ACCELERATOR	CABLE GAZ	BESCHLEUNIGER	THROTTLE CABLE	ACELERADOR			1 x HONDA

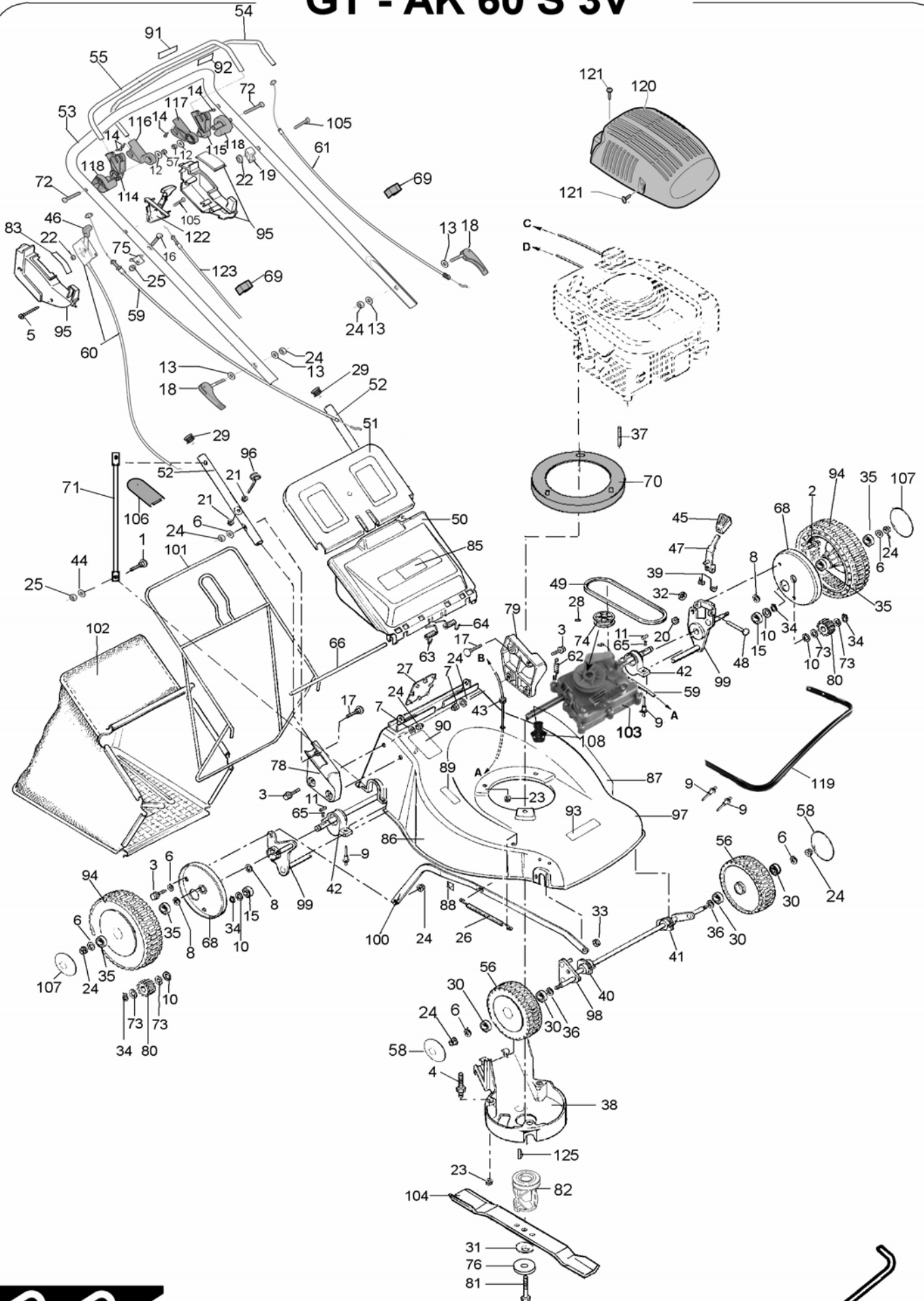
GT - AK 60 S



POS.	CODICE	I	F	D	GB	E	GT	AK
1	CP060616	VITE TC	VIS	SCHRAUBE	SCREW	TORNILLO	2	2
2	CP030812	VITE TE	VIS	SCHRAUBE	SCREW	TORNILLO	1	1
3	CP030825	VITE TE	VIS	SCHRAUBE	SCREW	TORNILLO	5	5
4	CP047925	VITE TRILOB.	VIS	SCHRAUBE	SCREW	TORNILLO	3 - B&S - Honda GCV	
4	CP030860	VITE TE	VIS	SCHRAUBE	SCREW	TORNILLO	2 - Honda GXV 160	
6	CP032908	RONDELLA	RONDELLE	SCHEIBE	WASHER	ARANDELA	10	10
7	CP032909	RONDELLA	RONDELLE	SCHEIBE	WASHER	ARANDELA	4	4
8	CP032913	RONDELLA	RONDELLE	SCHEIBE	WASHER	ARANDELA	4	2
9	CP034615	RIVETTO	RIVET	NIET	RIVET	CLAVO	8	8
10	CP035905	RASAMENTO	RONDELLE	SCHEIBE	WASHER	ARANDELA	4	4
11	CP037305	CHIAVETTA	CLAVETTE	SCHLÜSSELCHEN	WOODRUFF KEY	CHAVETA	2	2
12	CP032926	RONDELLA	RONDELLE	SCHEIBE	WASHER	ARANDELA	2	2
13	CP032924	RONDELLA	RONDELLE	SCHEIBE	WASHER	ARANDELA	4	4
14	CP023595	VITE	VIS	SCHRAUBE	SCREW	TORNILLO	4	4
15	CP038228	CUSCINETTO	ROULEMENT	KUGELLAGER	BALL BEARING	COJINETE	2	2
16	CP040630	VITE TTQST	VIS	SCHRAUBE	SCREW	TORNILLO	1	1
17	CP040835	VITE TTQST	VIS	SCHRAUBE	SCREW	TORNILLO	2	2
18	CP047222	LEVA COMPLETA COR	LEVIER	STANGE	LEVER	LEVA	2	2
19	CP042216	BLOCCETTO CAVO F	ATTACHE CABLE FRE	KABELBESCHWERER	CLIP	FIJADOR CABLE	1	1
20	CP042708	DADO	ÉCROU	MUTTER	KNOB	ESPARRAGO	1	1
21	CP042805	DADO	ÉCROU	MUTTER	KNOB	ESPARRAGO	2	2
22	CP042806	DADO	ÉCROU	MUTTER	KNOB	ESPARRAGO	2	2
23	CP042808	DADO	ÉCROU	MUTTER	KNOB	ESPARRAGO	6	6
24	CP044708	DADO	ÉCROU	MUTTER	KNOB	ESPARRAGO	13	13
25	CP044906	DADO	ÉCROU	MUTTER	KNOB	ESPARRAGO	3	3
26	CP045192	MOLLA	RESSORT	FEDER	SPRING	MUELLE	1	1
27	CP045225	COPERCHIETTO	COUVERCLE	KAPPE	CAP	TAPA	1	1
28	CP045530	SPINA	GOUPILLE	DORN	PIN	PASADOR	1	1
29	CP045722	TAPPO	COUVERCLE	KAPPE	CAP	TAPA	2	2
30	CP042257	VITE 8X50	VIS	SCHRAUBE	SCREW	TORNILLO	1 - Honda GXV 160	
31	CP045911	MOLLA A TAZZA	RONDELLE	SCHEIBE	WASHER	MUELLE	1	1
32	CP046606	RITEGNO	CLIP	RÜCKHALT	RETAINER	ANILLO CLIP	1	1
33	CP046607	RITEGNO	CLIP	RÜCKHALT	RETAINER	ANILLO CLIP	1	1
34	CP046812	SEEGER	SEEGER	RÜCKHALT	RETAINER	ANILLO CLIP	4	4
35	CP038228	CUSCINETTO	ROULEMENT	KUGELLAGER	BALL BEARING	COJINETE	4	
35	CP038227	CUSCINETTO 12X27	ROULEMENT	KUGELLAGER	BALL BEARING	COJINETE		4
36	CP038228	CUSCINETTO	ROULEMENT	KUGELLAGER	BALL BEARING	COJINETE	4	
36	CP038226	CUSCINETTO 12X26	ROULEMENT	KUGELLAGER	BALL BEARING	COJINETE		4
37	CP032913	RONDELLA	RONDELLE	SCHEIBE	WASHER	ARANDELA	2	
37	CP032814	RONDELLA	RONDELLE	SCHEIBE	WASHER	ARANDELA		2
38	CP047096	COPRICINGHIA	COUVERCLE COURRO	RIEMENSCHUTZ	BELT COVER	TAPA	1	1
39	CP047191	MOLLA	RESSORT	FEDER	SPRING	MUELLE	1	1
40	CP053212	SUPPORTO ASSALE	SUPPORT	ACHSELAGER	SUPPORT	SOPORTE	1	1
41	CP053213	SUPPORTO ASSALE	SUPPORT	ACHSELAGER	SUPPORT	SOPORTE	1	1
42	CP047215	SUPPORTO ASSALE	SUPPORT	ACHSELAGER	SUPPORT	SOPORTE	2	2
43	CP047217	PASSACAVO	JOINTE	RING	RING	ANILLO	1	1
44	CP032907	RONDELLA	RONDELLE	SCHEIBE	WASHER	ARANDELA	2	2
45	CP047236	CAPPUCCIO	CACHE MOYEU	KAPPE	HOOD	POMO	1	1
46	CP047250	COMANDO ACCELE	LEVIER	STANGE	THROTTLE LEVER	LEVA	1	1
47	CP047255	LEVA ALZO	LEVIER	STANGE	LEVER	LEVA ALTURAS	1	1
48	CP047267	PERNO	GOUJON	ZAPFEN	PIN	PERNO	1	1
49	CP047838	CINGHIA Z 38	COURROIE	RIEMEN	BELT	CORREA	1	1
50	CP050018	PARASASSI	DEFLECTEUR	DEFLEKTOR	REAR DOOR	DEFLECTÓR	1	1
51	CP050023	COPRICESTO NERO	COUVERCLE	GRASFANFSACKDECK	BAG COVER	CARCASA	1	
52	CP060033	MANICO INF.	GUIDON	STIEL	HANDLE	MANILLAR	2	2
53	CP060043	MANICO SUP.	GUIDON	STIEL	HANDLE	MANILLAR	1	1
54	CP052068	LEVA INNESTO	LEVIER EMBRAYAGE	STANGE	LEVER CLUTCH	LEVA	1	1
55	CP052073	LEVA FRENO	LEVIER FREIN	STANGE	LEVER	LEVA	1	1
56	CP047118.98	RUOTA 180 PH ZINCA	ROUE ACIER	VERZINKTES RAD	ZINC WHEEL	RUEDA ZINC	2	
56	CP050106	RUOTA 180	ROUE	RAD	WHEEL	RUEDA		2
57	CP044726	DADO	ÉCROU	MUTTER	KNOB	ESPARRAGO	2	2
58	CP047133	COPRIRUOTA	CACHE MOYEU	RADDECKUNG	HUB CAP	TAPA RUEDA	2	
58	CP050127	COPRIRUOTA 180	CACHE MOYEU	RADDECKUNG	HUB CAP	TAPA RUEDA		2
59	CP052138	CAVO SEMOVENZA	CABLE D'EMBAYAGE	SELBSTBEWEGLICHK	CABLE CLUTCH	CABLE TRACCION	1	1
60	CP050143	CAVO ACCELERATOR	CABLE GAZ	BESCHLEUNIGER	THROTTLE CABLE	ACELERADOR	1 - B&S	1 - B&S
60	CP056143	CAVO ACCELERATOR	CABLE GAZ	BESCHLEUNIGER	THROTTLE CABLE	ACELERADOR	1 - Honda GCV 160-190	
60	CP047143	CAVO ACCELERATOR	CABLE GAZ	BESCHLEUNIGER	THROTTLE CABLE	ACELERADOR	1 - Honda GXV 160	
61	CP052146	CAVO FRENO	CABLE FREIN	KABEL	CABLE	CABLE	1 - B&S - Honda GCV	
61	CP057148	CAVO FRENO	CABLE FREIN	KABEL	CABLE	CABLE	1 - Honda GXV 160	
62	CP050191	MOLLA	RESSORT	FEDER	SPRING	MUELLE	1	1
63	CP050193	MOLLA PARASASSI	RESSORT	FEDER	SPRING	MUELLE	1	1
64	CP050192	MOLLA PARASASSI	RESSORT	FEDER	SPRING	MUELLE	1	1
65	CP050194	MOLLA	RESSORT	FEDER	SPRING	MUELLE	2	2
66	CP050203	ASTINA	AXE PIVOT	STANGE	HINGE PIN	EJE DEFLECTOR	1	1
68	CP050214	COPRIRUOTA INTERN	CACHE MOYEU	RADDECKUNG	HUB CAP	TAPA RUEDA	2	2
69	CP050222	FERMACAVO	ATTACHE CABLE	KABELBESCHWERER	CLIP	FIJADOR CABLE	2	2
70	CP047174	ANELLO DISTANZIAT	ANNEAU	RING	RING	ANILLO	1 - HONDA GXV 160	
71	CP060062	TIRANTE	BARRE	GESTÄNGE	LINK	TIRANTE	2	2
72	CP060656	VITE	VIS	SCHRAUBE	SCREW	TORNILLO	2	2
73	CP050238	RONDELLA	RONDELLE	SCHEIBE	WASHER	ARANDELA	4	4
74	CP050241	PULEGGIA D.60	POULIE	RIEMENSCHIEBE	PULLEY	POLEA	1	1
75	CP052243	STAFFETTA REGISTR	EQUARRE	WINKELMASS	BRACKET	ABRAZDERA CABLE	1	1
76	CP053250	RONDELLA	RONDELLE	SCHEIBE	WASHER	ARANDELA	1	1

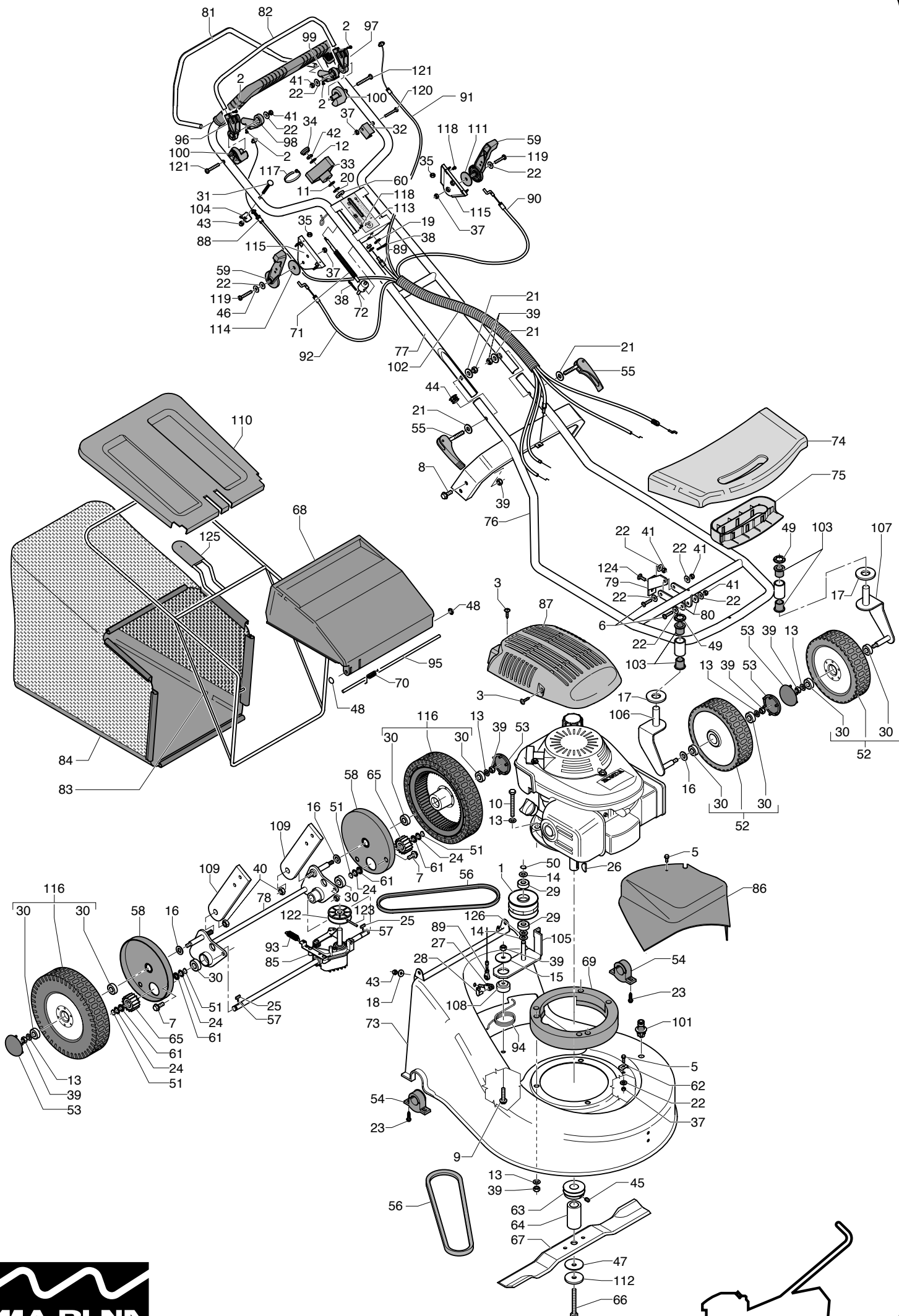
POS.	CODICE	I	F	D	GB	E	GT	AK
78	CP050268	PIASTRA	PLAQUE	PLÄTTCHEN	PLATE	PLANCHA	1	1
79	CP050269	PIASTRA	PLAQUE	PLÄTTCHEN	PLATE	PLANCHA	1	1
80	CP050298	INGRANAGGIO	PIGNON	GETRIEBE	PINION	ENGRANAJE	2	2
81	CP050965	VITE LAMA 10.9	VIS 10.9	SCHRAUBE 10.9	SCREW 10.9	TORNILLO 10.9	1	1
82	CP053274B22	MOZZO D.22.2 +PULEGG	PORTE LAME + POUILLON	MESSERHALTER	BLADE ADAPTOR+PULLER	PORTA CUCHILLA+PULLER	1 - B&S - Honda GCV	
82	CP053274M	MOZZO CON PULEGGIA	PORTE LAME + POUILLON	MESSERHALTER	BLADE ADAPTOR+PULLER	PORTA CUCHILLA+PULLER	1 - Honda GXV 160	
83	CP053710	DECALCO	DECALQUE	ETIKETTE	DECAL	CARTEL	1	1
85	CP053715	DECALCO	DECALQUE	ETIKETTE	DECAL	CARTEL	1	1
86	CP053732	DECALCO	DECALQUE	ETIKETTE	DECAL	CARTEL	1	1
87	CP053733	DECALCO	DECALQUE	ETIKETTE	DECAL	CARTEL	1	1
88	CP053802	DECALCO	DECALQUE	ETIKETTE	DECAL	CARTEL	1	1
89	CP053806	DECALCO	DECALQUE	ETIKETTE	DECAL	CARTEL	1	1
90	CP053813	DECALCO	DECALQUE	ETIKETTE	DECAL	CARTEL	1	1
91	CP053842	DECALCO	DECALQUE	ETIKETTE	DECAL	CARTEL	1	1
92	CP053843	DECALCO	DECALQUE	ETIKETTE	DECAL	CARTEL	1	1
93	CP053910	DECALCO GREENTEA	DECALQUE	ETIKETTE	DECAL	CARTEL	1	
93	CP053663	DECALCO AKITA	DECALQUE	ETIKETTE	DECAL	CARTEL		1
94	CP057128.98	RUOTA 235T PH ZINCA	ROUE ACIER	VERZINKTES RAD	ZINC WHEEL	RUEDA ZINC	2	
94	CP056116	RUOTA 230	ROUE	RAD	WHEEL	RUEDA		2
95	CP047220	COPRIACCELERATORE	COUVERCLE	DECKEL	COVER	COPA PROTECTORA	1	1
96	CP056242	VITE	VIS	SCHRAUBE	SCREW	TORNILLO	1	1
97	CP060001.03	CHASSIS VERDE	CARTER	GEHÄUSE	DECK	CHASIS	1	
97	CP060001.03	CHASSIS ARGENTO	CARTER	GEHÄUSE	DECK	CHASIS		1
98	CP057048	ASSALE ANT	AXE AVANT	VORDERACHSE	FRONT AXLE	EJE ANTERIOR	1	1
99	CP057058	ASSALE POS	AXE ARRIERE	HINTERACHSE	REAR AXLE	EJE POSTERIOR	1	1
100	CP060063	TIRANTE ASSALE	BARRE	GESTÄNGE	LINK ROD	TIRANTE EJE	1	1
101	CP057078	TELAIO CESTO	ATTELAGE	GRASFANGGRAHMEN	FRAME	ARMAZON SACO	1	1
102	CP057083	TELA CESTO BIANCA	SAC RAMASSEUR	GRASFANGSACK	GRASS BAG	SACO TELA	1	1
103	CP057089	RIDUTTORE TD 57 PR	REDUCTEUR	UNTERSETZUNGGETRIEBE	GEAR BOX ASSY	TRANSMISION	1	1
104	CP060013	LAMA	LAME	MESSER	BLADE	CUCHILLA	1	1
105	CP060640	VITE TC	VIS	SCHRAUBE	SCREW	TORNILLO	2	2
106	CP046225	IMPUGNATURA	COUVERCLE	SCHUTZ	COVER	TAPA	1 OPTIONAL	
108	CP052225	INNESTO RAPIDO	RACCORD DE L'EAU	SPUELDUESE	WATER CONNECTOR	ENLACE	1	1
114	CP052216	SUPPORTO LEVA FRENO	SUPPORT	AUFNAHMEBÜGEL	SUPPORT	SOPORTE	1	1
115	CP052217	SUPPORTO LEVA FRENO	SUPPORT	AUFNAHMEBÜGEL	SUPPORT	SOPORTE	1	1
116	CP052218	SUPPORTO LEVA SEMBRA	SUPPORT	AUFNAHMEBÜGEL	SUPPORT	SOPORTE	1	1
117	CP052219	SUPPORTO LEVA SEMBRA	SUPPORT	AUFNAHMEBÜGEL	SUPPORT	SOPORTE	1	1
118	CP052220	SUPPORTO PER SUPPORTO	SUPPORT	AUFNAHMEBÜGEL	SUPPORT	SOPORTE	2	2
119	CP057252	MANIGLIA	POIGNEE	GRIFF	HANDLE	MANGO	1	1
120	CP047133	COPRIRUOTA	CACHE MOYEU	RADDECKUNG	HUB CAP	TAPA RUEDA	2	
120	CP050132	COPRIRUOTA 200-230	CACHE MOYEU	RADDECKUNG	HUB CAP	TAPA RUEDA		2
121	CP037406	CHIAVETTA	CLAVETTE	SCHLÜSSELCHEN	WOODRUFF KEY	CHAVETA	1 - Honda GXV 160	

GT - AK 60 S 3V



POS.	CODICE	I	F	D	GB	E	GT	AK
1	CP060616	VITE TC	VIS	SCHRAUBE	SCREW	TORNILLO	2	2
2	CP030812	VITE TE	VIS	SCHRAUBE	SCREW	TORNILLO	1	1
3	CP030825	VITE TE	VIS	SCHRAUBE	SCREW	TORNILLO	5	5
4	CP047925	VITE TRILOB.	VIS	SCHRAUBE	SCREW	TORNILLO	3 - B&S - Honda GCV	
4	CP030860	VITE TE	VIS	SCHRAUBE	SCREW	TORNILLO	2 - Honda GXV 160	
5	CP025040	VITE AUTOF.	VIS	SCHRAUBE	SCREW	TORNILLO	2	2
6	CP032908	RONDELLA	RONDELLE	SCHEIBE	WASHER	ARANDELA	10	10
7	CP032909	RONDELLA	RONDELLE	SCHEIBE	WASHER	ARANDELA	4	4
8	CP032913	RONDELLA	RONDELLE	SCHEIBE	WASHER	ARANDELA	6	2
9	CP034615	RIVETTO	RIVET	NIET	RIVET	CLAVO	8	8
10	CP035905	RASAMENTO	RONDELLE	SCHEIBE	WASHER	ARANDELA	4	4
11	CP037305	CHIAVETTA	CLAVETTE	SCHLÜSSELCHEN	WOODRUFF KEY	CHAVETA	2	2
12	CP032926	RONDELLA	RONDELLE	SCHEIBE	WASHER	ARANDELA	2	2
13	CP032924	RONDELLA	RONDELLE	SCHEIBE	WASHER	ARANDELA	4	4
14	CP023595	VITE	VIS	SCHRAUBE	SCREW	TORNILLO	4	4
15	CP038228	CUSCINETTO	ROULEMENT	KUGELLAGER	BALL BEARING	COJINETE	2	2
16	CP040630	VITE TTQST	VIS	SCHRAUBE	SCREW	TORNILLO	1	1
17	CP040835	VITE TTQST	VIS	SCHRAUBE	SCREW	TORNILLO	2	2
18	CP047222	LEVA COMPLETA COR	LEVIER	STANGE	LEVER	LEVA	2	2
19	CP042216	BLOCCHETTO CAVO F	ATTACHE CABLE FRE	KABELBESCHWERER	CLIP	FIJADOR CABLE	1	1
20	CP042708	DADO	ÉCROU	MUTTER	KNOB	ESPARRAGO	1	1
21	CP042805	DADO	ÉCROU	MUTTER	KNOB	ESPARRAGO	2	2
22	CP042806	DADO	ÉCROU	MUTTER	KNOB	ESPARRAGO	2	2
23	CP042808	DADO	ÉCROU	MUTTER	KNOB	ESPARRAGO	6	6
24	CP044708	DADO	ÉCROU	MUTTER	KNOB	ESPARRAGO	13	13
25	CP044906	DADO	ÉCROU	MUTTER	KNOB	ESPARRAGO	3	3
26	CP045192	MOLLA	RESSORT	FEDER	SPRING	MUELLE	1	1
27	CP045225	COPERCHIETTO	COUVERCLE	KAPPE	CAP	TAPA	1	1
28	CP045530	SPINA	GOUPILLE	DORN	PIN	PASADOR	1	1
29	CP045722	TAPPO	COUVERCLE	KAPPE	CAP	TAPA	2	2
30	CP038228	CUSCINETTO	ROULEMENT	KUGELLAGER	BALL BEARING	COJINETE	4	
30	CP038227	CUSCINETTO 12X27	ROULEMENT	KUGELLAGER	BALL BEARING	COJINETE		4
31	CP045911	MOLLA A TAZZA	RONDELLE	SCHEIBE	WASHER	MUELLE	1	1
32	CP046606	RITEGNO	CLIP	RÜCKHALT	RETAINER	ANILLO CLIP	1	1
33	CP046607	RITEGNO	CLIP	RÜCKHALT	RETAINER	ANILLO CLIP	1	1
34	CP046812	SEEGER	SEEGER	RÜCKHALT	RETAINER	ANILLO CLIP	4	4
35	CP038228	CUSCINETTO	ROULEMENT	KUGELLAGER	BALL BEARING	COJINETE	4	
35	CP038226	CUSCINETTO 12X26	ROULEMENT	KUGELLAGER	BALL BEARING	COJINETE		4
36	CP032814	RONDELLA	RONDELLE	SCHEIBE	WASHER	ARANDELA		2
37	CP042257	VITE 8X50	VIS	SCHRAUBE	SCREW	TORNILLO	1 - Honda GXV 160	
38	CP047096	COPRICINGHIA	COUVERCLE COURRO	RIEMENSCHUTZ	BELT COVER	TAPA	1	1
39	CP047191	MOLLA	RESSORT	FEDER	SPRING	MUELLE	1	1
40	CP053212	SUPPORTO ASSALE	SUPPORT	ACHSELAGER	SUPPORT	SOPORTE	1	1
41	CP053213	SUPPORTO ASSALE	SUPPORT	ACHSELAGER	SUPPORT	SOPORTE	1	1
42	CP047215	SUPPORTO ASSALE	SUPPORT	ACHSELAGER	SUPPORT	SOPORTE	2	2
43	CP047217	PASSACAVO	JOINTE	RING	RING	ANILLO	1	1
44	CP032907	RONDELLA	RONDELLE	SCHEIBE	WASHER	ARANDELA	2	2
45	CP047236	CAPPUCCIO	CACHE MOYEU	KAPPE	HOOD	POMO	1	1
46	CP047250	COMANDO ACCELE	LEVIER	STANGE	THRITTLE LEVER	LEVA	1	1
47	CP047255	LEVA ALZO	LEVIER	STANGE	LEVER	LEVA ALTURAS	1	1
48	CP047267	PERNO	GOUJON	ZAPFEN	PIN	PERNO	1	1
49	CP047838	CINGHIA Z 38	COURROIE	RIEMEN	BELT	CORREA	1	1
50	CP050018	PARASASSI	DEFLECTEUR	DEFLEKTOR	REAR DOOR	DEFLECTÓR	1	1
51	CP050023	COPRICESTO NERO	COUVERCLE	GRASFANFSACKDECK	BAG COVER	CARCASA	1	
52	CP060033	MANICO INF.	GUIDON	STIEL	HANDLE	MANILLAR	2	2
53	CP060043	MANICO SUP.	GUIDON	STIEL	HANDLE	MANILLAR	1	1
54	CP052068	LEVA INNESTO	LEVIER EMBRAYAGE	STANGE	LEVER CLUTCH	LEVA	1	1
55	CP052073	LEVA FRENO	LEVIER FREIN	STANGE	LEVER	LEVA	1	1
56	CP047118.98	RUOTA 180 PH ZINCA	ROUE ACIER	VERZINKTES RAD	ZINC WHEEL	RUEDA ZINC	2	
56	CP050106	RUOTA 180	ROUE	RAD	WHEEL	RUEDA		2
57	CP044726	DADO	ÉCROU	MUTTER	KNOB	ESPARRAGO	2	2
58	CP047133	COPRIRUOTA	CACHE MOYEU	RADDECKUNG	HUB CAP	TAPA RUEDA	2	
58	CP050127	COPRIRUOTA 180	CACHE MOYEU	RADDECKUNG	HUB CAP	TAPA RUEDA		2
59	CP052138	CAVO SEMOVENZA	CABLE D'EMBAYAGE	SELBSTBEWEGLICHK	CABLE CLUTCH	CABLE TRACCION	1	1
60	CP050143	CAVO ACCELERATOR	CABLE GAZ	BESCHLEUNIGER	THROTTLE CABLE	ACELERADOR	1 - B&S	
60	CP056143	CAVO ACCELERATOR	CABLE GAZ	BESCHLEUNIGER	THROTTLE CABLE	ACELERADOR	1 - HONDA GCV	
60	CP047143	CAVO ACCELERATOR	CABLE GAZ	BESCHLEUNIGER	THROTTLE CABLE	ACELERADOR	1 - HONDA GXV 160	
61	CP052146	CAVO FRENO	CABLE FREIN	KABEL	CABLE	CABLE	1 - B&S - Honda GCV	
61	CP057148	CAVO FRENO	CABLE FREIN	KABEL	CABLE	CABLE	1 - Honda GXV 160	
62	CP050191	MOLLA	RESSORT	FEDER	SPRING	MUELLE	1	1
63	CP050193	MOLLA PARASASSI	RESSORT	FEDER	SPRING	MUELLE	1	1
64	CP050192	MOLLA PARASASSI	RESSORT	FEDER	SPRING	MUELLE	1	1
65	CP050194	MOLLA	RESSORT	FEDER	SPRING	MUELLE	2	2
66	CP050203	ASTINA	AXE PIVOT	STANGE	HINGE PIN	EJE DEFLECTOR	1	1
68	CP050214	COPRIRUOTA INTERN	CACHE MOYEU	RADDECKUNG	HUB CAP	TAPA RUEDA	2	2
69	CP050222	FERMACAVO	ATTACHE CABLE	KABELBESCHWERER	CLIP	FIJADOR CABLE	2	2
70	CP047174	ANELLO DISTANZIAT	ANNEAU	RING	RING	ANILLO	1 - Honda GXV 160	
71	CP060062	TIRANTE	BARRE	GESTÄNGE	LINK	TIRANTE	2	2
72	CP060656	VITE	VIS	SCHRAUBE	SCREW	TORNILLO	2	2
73	CP050238	RONDELLA	RONDELLE	SCHEIBE	WASHER	ARANDELA	4	4
74	CP050241	PULEGGIA D.60	POULIE	RIEMENSCHLEIBE	PULLEY	POLEA	1	1
75	CP052243	STAFFETTA REGISTR	EQUARRE	WINKELMASS	BRACKET	ABRAZDERA CABLE	1	1
76	CP053250	RONDELLA	RONDELLE	SCHEIBE	WASHER	ARANDELA	1	1

POS.	CODICE	I	F	D	GB	E	GT	AK
78	CP050268	PIASTRA	PLAQUE	PLÄTTCHEN	PLATE	PLANCHA	1	1
79	CP050269	PIASTRA	PLAQUE	PLÄTTCHEN	PLATE	PLANCHA	1	1
80	CP050298	INGRANAGGIO	PIGNON	GETRIEBE	PINION	ENGRANAJE	2	2
81	CP050965	VITE LAMA 10.9	VIS 10.9	SCHRAUBE 10.9	SCREW 10.9	TORNILLO 10.9	1	1
82	CP053274B22	MOZZO D.22.2 +PULEGG	PORTE LAME + POUILLON	MESSERHALTER	BLADE ADAPTOR+PULLEY	PORTA CUCHILLA+PO	1 - B&S - Honda GCV	
82	CP053274M	MOZZO CON PULEGGIA	PORTE LAME + POUILLON	MESSERHALTER	BLADE ADAPTOR+PULLEY	PORTA CUCHILLA+PO	1 - Honda GXV 160	
83	CP053710	DECALCO	DECALQUE	ETIKETTE	DECAL	CARTEL	1	1
85	CP053715	DECALCO	DECALQUE	ETIKETTE	DECAL	CARTEL	1	1
86	CP053732	DECALCO	DECALQUE	ETIKETTE	DECAL	CARTEL	1	1
87	CP053733	DECALCO	DECALQUE	ETIKETTE	DECAL	CARTEL	1	1
88	CP053802	DECALCO	DECALQUE	ETIKETTE	DECAL	CARTEL	1	1
89	CP053806	DECALCO	DECALQUE	ETIKETTE	DECAL	CARTEL	1	1
90	CP053813	DECALCO	DECALQUE	ETIKETTE	DECAL	CARTEL	1	1
91	CP053842	DECALCO	DECALQUE	ETIKETTE	DECAL	CARTEL	1	1
92	CP053843	DECALCO	DECALQUE	ETIKETTE	DECAL	CARTEL	1	1
93	CP053910	DECALCO GREENTEA	DECALQUE	ETIKETTE	DECAL	CARTEL	1	
93	CP053663	DECALCO AKITA	DECALQUE	ETIKETTE	DECAL	CARTEL		1
94	CP057128.98	RUOTA 235T PH ZINCA	ROUE ACIER	VERZINKTES RAD	ZINC WHEEL	RUEDA ZINC	2	
94	CP056116	RUOTA 230	ROUE	RAD	WHEEL	RUEDA		2
95	CP056226	COPRIACCELERATOR	COUVERCLE	DECKEL	COVER	COPA PROTECTORA	1	1
96	CP056242	VITE	VIS	SCHRAUBE	SCREW	TORNILLO	1	1
97	CP060001	CHASSIS VERDE	CARTER	GEHÄUSE	DECK	CHASIS	1	
97	CP060001.03	CHASSIS ARGENTO	CARTER	GEHÄUSE	DECK	CHASIS		1
98	CP057048	ASSALE ANT	AXE AVANT	VORDERACHSE	FRONT AXLE	EJE ANTERIOR	1	1
99	CP057058	ASSALE POS	AXE ARRIERE	HINTERACHSE	REAR AXLE	EJE POSTERIOR	1	1
100	CP060063	TIRANTE ASSALE	BARRE	GESTÄNGE	LINK ROD	TIRANTE EJE	1	1
101	CP057078	TELAIO CESTO	ATTELAGE	GRASFANGRAHMEN	FRAME	ARMAZON SACO	1	1
102	CP057083	TELA CESTO BIANCA	SAC RAMASSEUR	GRASFANGSACK	GRASS BAG	SACO TELA	1	1
103	CP057091	CAMBIO A 3 VELOCITA	REDUCTEUR	UNTERSETZUNGGETRI	GEAR BOX 3 SPEED	TRANSMISION	1	1
104	CP060013	LAMA	LAME	MESSER	BLADE	CUCHILLA	1	1
105	CP060640	VITE TC	VIS	SCHRAUBE	SCREW	TORNILLO	2	2
106	CP046225	IMPUGNATURA	COUVERCLE	SCHUTZ	COVER	TAPA	1 OPTIONAL	
107	CP047133	COPRIRUOTA	CACHE MOYEU	RADDECKUNG	HUB CAP	TAPA RUEDA	2	
107	CP050132	COPRIRUOTA 200-230	CACHE MOYEU	RADDECKUNG	HUB CAP	TAPA RUEDA		2
108	CP052225	INNESTO RAPIDO	RACCORD DE L'EAU	SPUELDUESE	WATER CONNECTOR	ENLACE	1	1
114	CP052216	SUPPORTO LEVA FRE	SUPPORT	AUFNAHMEBÜGEL	SUPPORT	SOPORTE	1	1
115	CP052217	SUPPORTO LEVA FRE	SUPPORT	AUFNAHMEBÜGEL	SUPPORT	SOPORTE	1	1
116	CP052218	SUPPORTO LEVA SEM	SUPPORT	AUFNAHMEBÜGEL	SUPPORT	SOPORTE	1	1
117	CP052219	SUPPORTO LEVA SEM	SUPPORT	AUFNAHMEBÜGEL	SUPPORT	SOPORTE	1	1
118	CP052220	SUPPORTO PER SUPP	SUPPORT	AUFNAHMEBÜGEL	SUPPORT	SOPORTE	2	2
119	CP057252	MANIGLIA	POIGNEE	GRIFF	HANDLE	MANGO	1	1
120	CP052105	CUPOLINA NERA	CALOTTE	VERKLEIDUNG	COVER	CARCASA	Honda GCV	
120	CP052105.02	CUPOLINA ROSSA	CALOTTE	VERKLEIDUNG	COVER	CARCASA		Honda GCV
121	CP024216	VITE	VIS	SCHRAUBE	SCREW	TORNILLO	3 Honda GCV	
122	CP057250	COMANDO CAMBIO	MANETTE	STANGE	LEVER	LEVA	1	1
123	CP057154	CAVO CAMBIO DX	CABLE	KABEL	CABLE	CABLE	1	1
125	CP037406	CHIAVETTA	CLAVETTE	SCHLÜSSELCHEN	WOODRUFF KEY	CHAVETA	1 - Honda GXV 160	



MA.RI.NA.

FUTURA 520 SB VV - 520 SH VV

POS.	CODICE	I	F	D	GB	E	GX B&S	GX HONDA	MX HONDA
1	AS005976	PULEGGIA VARIABILE	POULIE	RIEMENSCHLEIBE	PULLEY	POLEA	1	1	1
2	CP023595	VITE	VIS	SCHRAUBE	SCREW	TORNILLO	4	4	4
3	CP024216	VITE	VIS	SCHRAUBE	SCREW	TORNILLO	3	3	3
5	CP026016	VITE AUTOF.	VIS	SCHRAUBE	SCREW	TORNILLO	2	2	2
6	CP030620	VITE TE	VIS	SCHRAUBE	SCREW	TORNILLO	2	2	2
7	CP030812	VITE TE	VIS	SCHRAUBE	SCREW	TORNILLO	2	2	2
8	CP030822	VITE	VIS	SCHRAUBE	SCREW	TORNILLO	4	4	4
9	CP030835	VITE TE	VIS	SCHRAUBE	SCREW	TORNILLO	1	1	1
10	CP030870	VITE TE	VIS	SCHRAUBE	SCREW	TORNILLO	2	3	3
10	CP030890	VITE TE	VIS	SCHRAUBE	SCREW	TORNILLO	1		
11	CP032808	RONDELLA	RONDELLE	SCHEIBE	WASHER	ARANDELA	1	1	1
12	CP032904	RONDELLA	RONDELLE	SCHEIBE	WASHER	ARANDELA	1	1	1
13	CP032908	RONDELLA	RONDELLE	SCHEIBE	WASHER	ARANDELA	4	4	4
14	CP032960	RONDELLA SP1,5	RONDELLE	SCHEIBE	WASHER	ARANDELA	2	2	2
15	CP032911	RONDELLA	RONDELLE	SCHEIBE	WASHER	ARANDELA	1	1	1
16	CP032913	RONDELLA	RONDELLE	SCHEIBE	WASHER	ARANDELA	6	6	6
17	CP032915	RONDELLA	RONDELLE	SCHEIBE	WASHER	ARANDELA	2	2	2
18	CP032916	RONDELLA	RONDELLE	SCHEIBE	WASHER	ARANDELA	1	1	1
19	CP032917	RONDELLA TEMPRAT.	RONDELLE	SCHEIBE	WASHER	ARANDELA	1	1	1
20	CP032919	RONDELLA SP 0,5	RONDELLE	SCHEIBE	WASHER	ARANDELA	1	1	1
21	CP032924	RONDELLA	RONDELLE	SCHEIBE	WASHER	ARANDELA	4	4	4
22	CP032926	RONDELLA	RONDELLE	SCHEIBE	WASHER	ARANDELA	7	7	7
23	CP034615	RIVETTO	RIVET	NIET	RIVET	CLAVO	4	4	4
24	CP035905	RASAMENTO	RONDELLE	SCHEIBE	WASHER	ARANDELA	4	4	4
25	CP037305	CHIAVETTA	CLAVETTE	SCHLÜSSELCHEN	WOODRUFF KEY	CHAVETA	2	2	2
26	CP037406	CHIAVETTA	CLAVETTE	SCHLÜSSELCHEN	WOODRUFF KEY	CHAVETA	1	1	1
27	CP037612	FORCELLA	FOURCHETTE	GABEL	FORK	HORQUILLA	1	1	1
28	CP037613	CLIPS	CLIP	KLIPP	CLIP	CLIP	1	1	1
29	CP038026	CUSCINETTO	ROULEMENT	KUGELLAGER	BALL BEARING	COJINETE	2	2	2
30	CP038228	CUSCINETTO	ROULEMENT	KUGELLAGER	BALL BEARING	COJINETE	10	10	10
31	CP040630	VITE TTQST	VIS	SCHRAUBE	SCREW	TORNILLO	1	1	1
32	CP042216	BLOCCHETTO CAVO F	ATTACHE CABLE FRE	KABELBESCHWERER	CLIP	FIJADOR CABLE	1	1	1
33	CP042236	POMOLO ALZO	ÉCROU	GRIFF	KNOB	POMO	1	1	1
34	CP042237	TAPPO POMOLO ALZO	COUVERCLE	KAPPE	CAP	TAPA	1	1	1
35	CP042804	DADO	ÉCROU	MUTTER	KNOB	ESPARRAGO	4	4	4
36	CP042805	DADO	ÉCROU	MUTTER	KNOB	ESPARRAGO	1	1	1
37	CP042806	DADO	ÉCROU	MUTTER	KNOB	ESPARRAGO	1	1	1
38	CP042932	COPPIGLIA	GOUPILLE	SPLINT	COTTER PIN	COPIGLIA	2	2	2
39	CP044708	DADO	ÉCROU	MUTTER	KNOB	ESPARRAGO	14	14	14
40	CP044710	DADO AUTOBLOCCAN	ÉCROU	MUTTER	HEX NUT	ESPARRAGO	2	2	2
41	CP044726	DADO	ÉCROU	MUTTER	KNOB	ESPARRAGO	6	6	6
42	CP044904	DADO	ÉCROU	MUTTER	KNOB	ESPARRAGO	1	1	1
43	CP044906	DADO	ÉCROU	MUTTER	KNOB	ESPARRAGO	2	2	2
44	CP045722	TAPPO	COUVERCLE	KAPPE	CAP	TAPA	2	2	2
45	CP045810	GRANO	VIS	SCHRAUBE	SCREW	TORNILLO	1	1	1
46	CP045906	MOLLA A TAZZA	RONDELLE	SCHEIBE	WASHER	MUELLE	1	1	1
47	CP045911	MOLLA A TAZZA	RONDELLE	SCHEIBE	WASHER	MUELLE	1	1	1
48	CP046617	CAPPELLOTTA SFERI	CLIP	RÜCKHALT	RETAINER	ANILLO CLIP	2	2	2
49	CP046626	RITEGNO	CLIP	RÜCKHALT	RETAINER	ANILLO CLIP	2	2	2
50	CP046810	SEEGER	SEEGER	RÜCKHALT	RETAINER	ANILLO CLIP	1	1	1
51	CP046812	SEEGER	SEEGER	RÜCKHALT	RETAINER	ANILLO CLIP	4	4	4
52	CP047118.96	RUOTA 180 PH ZINCA	ROUE ACIER	VERZINKTES RAD	ZINC WHEEL	RUEDA ZINC	2	2	2
53	CP047133	COPRIRUOTA	CACHE MOYEU	RADDECKUNG	HUB CAP	TAPA RUEDA	4	4	4
54	CP047215	SUPPORTO ASSALE	SUPPORT	ACHSELAGER	SUPPORT	SOPORTE	2	2	2
55	CP047222	LEVA COMPLETA COR	LEVIER	STANGE	LEVER	LEVA	2	2	2
56	CP047819	CINGHIA Z 19 1/2	COURROIE	RIEMEN	BELT	CORREA	2	2	2
57	CP050194	MOLLA	RESSORT	FEDER	SPRING	MUELLE	2	2	2
58	CP050214	COPRIRUOTA INTERN	CACHE MOYEU	RADDECKUNG	HUB CAP	TAPA RUEDA	2	2	2
59	CP050224	LEVA DI COMANDO	LEVIER	STANGE	LEVER	LEVA	2	2	2
60	CP050234	RONDELLA	RONDELLE	SCHEIBE	WASHER	ARANDELA	1	1	1
61	CP050238	RONDELLA	RONDELLE	SCHEIBE	WASHER	ARANDELA	4	4	4
62	CP050244	PIASTRINA	PLAQUE	PLÄTTCHEN	PLATE	PLANCHA	1	1	1
63	CP050262	PULEGGIA MOTORE 2	POULIE	RIEMENSCHLEIBE	PULLEY	POLEA	1	1	1
64	CP050272	MOZZO LAMA 22	PORTE LAME	MESSERHALTER	BLADE ADAPTOR	PORTA CUCHILLA	1	1	1
65	CP050298	INGRANAGGIO	PIGNON	GETRIEBE	PINION	ENGRANAJE	2	2	2
66	CP050975	VITE LAMA 10.9	VIS	SCHRAUBE	SCREW	TORNILLO	1	1	1
67	CP051013	LAMA	LAME	MESSER	BLADE	CUCHILLA	1	1	1
68	CP051018	PARASASSI	DEFLECTEUR	DEFLEKTOR	REAR DOOR	DEFLECTOR	1	1	1
69	CP051174	ANELLO DISTANZIATO	ANNEAU	RING	RING	ANILLO	1	1	1
70	CP051193	MOLLA PARASASSI	RESSORT	FEDER	SPRING	MUELLE	1	1	1
71	CP051256	VITE ALZARUOTA	VIS	SCHRAUBE	SCREW	TORNILLO	1	1	1
72	CP051258	CHIOCCIOLA ALZARU	ÉCROU SPEC.	SCHNECKE	NUT SPECIAL	TUERCA SPEC.	1	1	1
73	CP052006.02	CHASSIS ROSSO	CARTER	GEHÄUSE	DECK	CHASSIS	1	1	1
73	CP052006.90	CHASSIS INOX	CARTER	GEHÄUSE	DECK	CHASSIS	1	1	1
74	CP052008A.02	MUSETTO PARTE SUP	CARTER	SCHUTZ	DECK	CHASSIS	1	1	1
75	CP052008B.02	MUSETTO PARTE INF.	CARTER	SCHUTZ	DECK	CHASSIS	1	1	1
76	CP052033	TELAIO	ATTELAGE	RAHMEN	FRAME	ARMAZON	1	1	1
77	CP052045	MANICO SUPERIORE	GUIDON	STIEL	HANDLE	MANILLAR	1	1	1
78	CP052059	ASSALE POSTERIORE	AXE ARRIERE	HINTERACHSE	REAR AXLE	EJE POSTERIOR	1	1	1
79	CP052064	SUPPORTO TIRANTE	SUPPORT	ACHSELAGER	SUPPORT	SOPORTE	1	1	1
80	CP052065	TIRANTE ALZAPIATTO	BARRE	GESTÄNGE	LINK	TIRANTE	2	2	2
81	CP052068	LEVA INNesto	LEVIER EMBRAYAGE	STANGE	LEVER CLUTCH	LEVA	1	1	1
82	CP052073	LEVA FRENO	LEVIER FREIN	STANGE	LEVER	LEVA	1	1	1

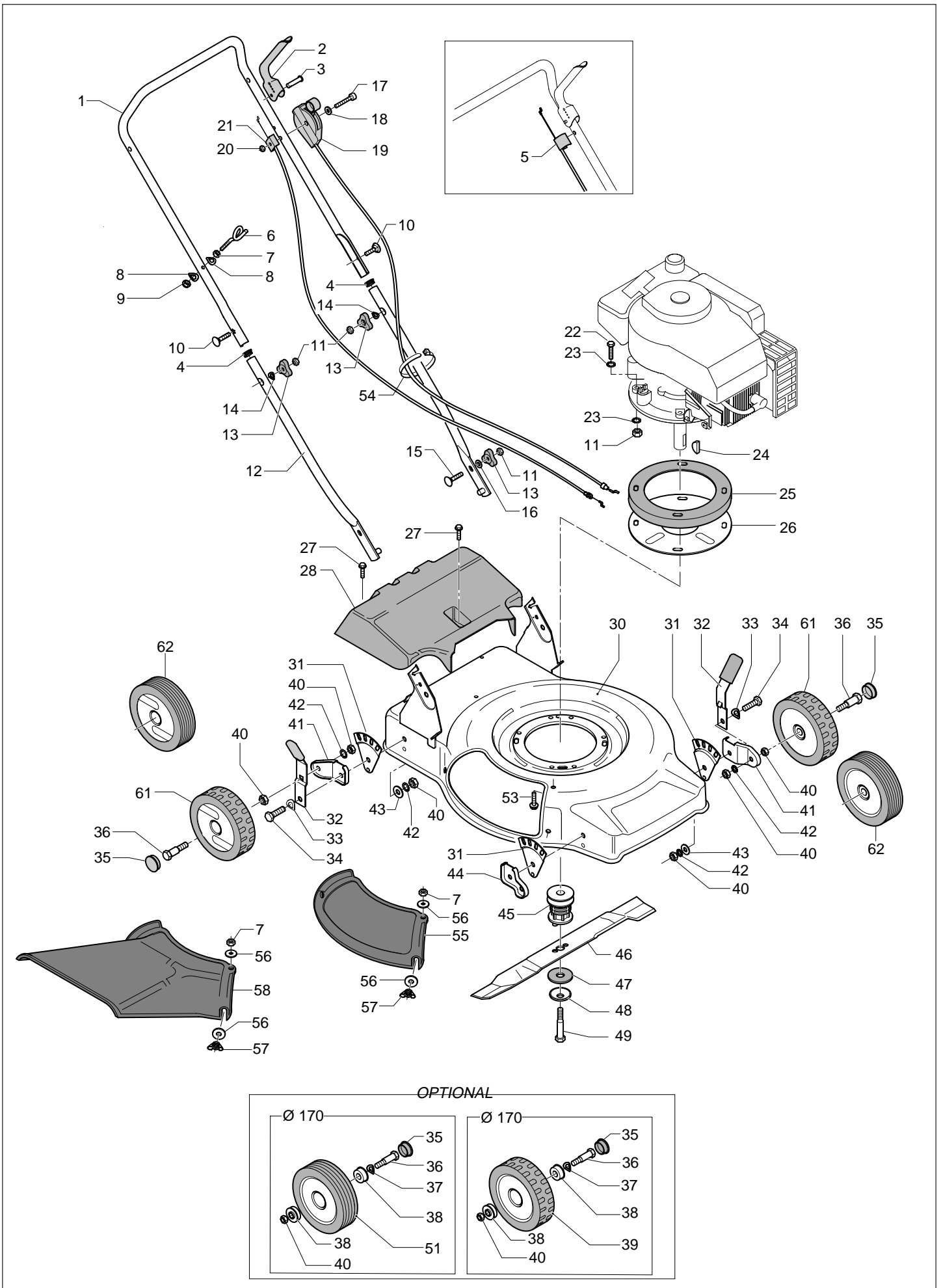
MA.RI.NA.

FUTURA 520 SB VV - 520 SH VV

POS.	CODICE	I	F	D	GB	E	GX B&S	GX HONDA	MX HONDA
83	CP052078	TELAIO CESTO	ATTELAGE	GRASFANGRAHMEN	FRAME	ARMAZON SACO	1	1	1
84	CP052081.05	TELA CESTO NERA	SAC RAMASSEUR	GRASFANGSACK	GRASS BAG	SACO TELA	1	1	1
85	CP052088	RIDUTTORE TR 520	REDUCTEUR	UNTERSETZUNGGETR	GEAR BOX ASSY	TRANSMISION	1	1	1
86	CP052098	COPRICINGHIA	COUVERCLE COURRO	RIEMENSCHUTZ	BELT COVER	TAPA	1	1	1
87	CP052105.02	CUPOLINA ROSSA	CALOTTE	VERKLEIDUNG	COVER	CARCASA	1	1	1
88	CP052139	CAVO SEMOVENZA	CABLE D'EMBRAYAGE	SELBSTBEWEGLICHK	CABLE CLUTCH	CABLE TRACCION	1	1	1
89	CP052142	CAVO ALZAPIATTO	CABLE	KABEL	CABLE	CABLE	1	1	1
90	CP052145	CAVO ACCELERATOR	CABLE GAZ	KABEL	CABLE	CABLE	1	1	1
90	CP047145	CAVO ACCELERATOR	CABLE GAZ	BESCHLEUNIGER	THROTTLE CABLE	ACCELERADOR	1		
91	CP052149	CAVO FRENO	CABLE FREIN	KABEL	CABLE	CABLE	1	1	1
92	CP052153	CAVO VARIATORE	CABLE VARIATEUR	KABEL	CABLE	CABLE	1	1	1
93	CP052191	MOLLA TENDICINGHIA	RESSORT	FEDER	SPRING	MUELLE	1	1	1
94	CP052193	MOLLA VARIATORE	RESSORT	FEDER	SPRING	MUELLE	1	1	1
95	CP052203	ASTINA	AXE PIVOT	STANGE	HINGE PIN	EJE DEFLECTOR	1	1	1
96	CP052216	SUPPORTO LEVA FRE	SUPPORT	AUFNAHMEBÜGEL	SUPPORT	SOPORTE	1	1	1
97	CP052217	SUPPORTO LEVA FRE	SUPPORT	AUFNAHMEBÜGEL	SUPPORT	SOPORTE	1	1	1
98	CP052218	SUPPORTO LEVA SEM	SUPPORT	AUFNAHMEBÜGEL	SUPPORT	SOPORTE	1	1	1
99	CP052219	SUPPORTO LEVA SEM	SUPPORT	AUFNAHMEBÜGEL	SUPPORT	SOPORTE	1	1	1
100	CP052220	SUPPORTO PER SUPP	SUPPORT	AUFNAHMEBÜGEL	SUPPORT	SOPORTE	2	2	2
101	CP052225	INNESTO RAPIDO	RACCORD DE L'EAU	SPUELDUESE	WATER CONNECTOR	ENLACE	1	1	1
102	CP052231	TUBO FLESSIBILE	TUBE FLEXIBLE	FLEXIBLER SCHLAUC	FLEXIBLE TUBE	TUBO FLEXIBLE	1	1	1
103	CP052232	BOCCOLA IN NYLON	BOUCLE	BÜCHSE	BUSH	COJINETE	4	4	4
104	CP052243	STAFFETTA REGISTR	EQUARRRE	WINKELMASS	BRACKET	ABRAZDERA CABLE	1	1	1
105	CP052246	LEVA	LEVIER	STANGE	LEVER	LEVA	1	1	1
106	CP052248	SUPPORTO RUOTA DX	SUPPORT	ACHSELAGER	SUPPORT	SOPORTE	1	1	1
107	CP052249	SUPPORTO RUOTA SX	SUPPORT	ACHSELAGER	SUPPORT	SOPORTE	1	1	1
108	CP052258	BASE LEVA VARIATOR	SUPPORT	LAGER	SUPPORT	SOPORTE	1	1	1
109	CP052268	PIASTRA	PLAQUE	PLÄTTCHEN	PLATE	PLANCHA	2	2	2
110	CP053024	COPRICESTO NERO	COUVERCLE	GRASFANFSACKDECK	BAG COVER	CARCASA	1	1	1
111	CP053238	RONDELLA	RONDELLE	SCHEIBE	WASHER	ARANDELA	1	1	1
112	CP053250	RONDELLA	RONDELLE	SCHEIBE	WASHER	ARANDELA	1	1	1
113	CP053658	DECALCO	DECALQUE	ETIKETTE	DECAL	CARTEL	1	1	1
114	CP056238	RONDELLA	RONDELLE	SCHEIBE	WASHER	ARANDELA	1	1	1
115	CP056250B	SUPPORTO LEVA COM	SUPPORT	ACHSELAGER	SUPPORT	SOPORTE	2	2	2
116	CP057128.98	RUOTA 235T PH ZINCA	ROUE ACIER	VERZINKTES RAD	ZINC WHEEL	RUEDA ZINC	2	2	2
117	CP058224	FASCETTA	ATTACHE CABLE	KABELBESCHWERER	CLIP	FIJADOR CABLE	2	2	2
118	CP060412	VITE	VIS	SCHRAUBE	SCREW	TORNILLO	4	4	4
119	CP060630	VITE TC	VIS	SCHRAUBE	SCREW	TORNILLO	2	2	2
120	CP060640	VITE TC	VIS	SCHRAUBE	SCREW	TORNILLO	1	1	1
121	CP060656	VITE	VIS	SCHRAUBE	SCREW	TORNILLO	2	2	2
122	CP050241	PULEGGIA D.60	POULIE	RIEMENSCHIEBE	PULLEY	POLEA	1	1	1
123	CP045530	SPINA	GOUPIILLE	DORN	PIN	PASADOR	1	1	1
124	CP030614	VITE	VIS	SCHRAUBE	SCREW	TORNILLO	2	2	2
125	CP046225	IMPUGNATURA	COUVERCLE	SCHUTZ	COVER	TAPA	1 OPTIONAL		
126	CP032910	RONDELLA SP2	RONDELLE	SCHEIBE	WASHER	ARANDELA	1	1	1

mod. BIOMULCH

10 - RICAMBI - RECHANGES - SPARE PARTS - ERSATZTEILE - RECAMBIOS - ONDERDELEN - SOBRESSALENTES WYKAZ CZĘŚCI ZAMIENNYCH - CSEREALKATRÉSZEK - NÁHRADNÉ SÚČIASTKY





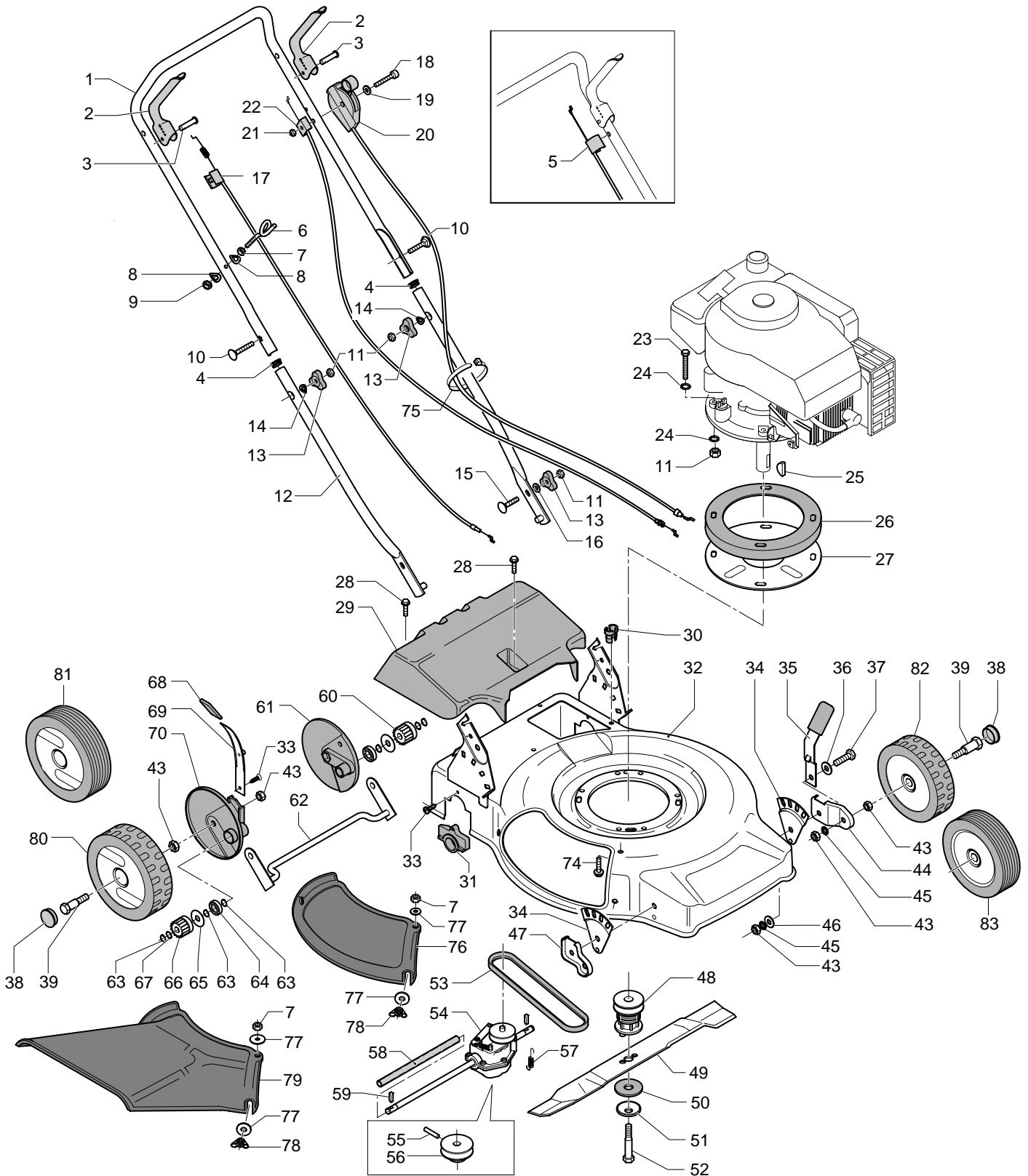
mod. BIOMULCH

10 - RICAMBI - RECHANGES - SPARE PARTS - ERSATZTEILE - RECAMBIOS - ONDERDELEN - SOBRESSALENTES WYKAZ CZĘŚCI ZAMIENNYCH - CSEREALKATRÉSZEK - NÁHRADNÉ SÚČIASTKY

N.ord. - N. pièces part. N. - Bestell N.	RICAMBI SPARE PARTS	RECHANGES ERSATZTEILE	RECAMBIOS ONDERDELEN	SOBRESSALENTES CZĘŚCI ZAMIENNE	CSEREALKATRÉSZEK NÁHRADNÉ SÚČIASTKY	Q	
1 10 1466 53	manico superiore upper handle	guidon supérieur Obere Griffstange	manillar superior bovenste handgreep	guiador superior górný uchwyť	felső markolat horná rúčka	1	
2 10 1466 33	maniglia lever	manette Griff	mando hendel	manete rączka	fogantyú rúčka	1	
3 10 1467 13	perno pin	pivot Zapfen	pivot pin	pegão szorzen	haitófogaskerek závlacka	1	
4 20 8333 03	tappo plug	bouchon Kappe	tapón dop	tampão dugó	zaslepka uzáver	2	
5 10 1466 10	cavo freno cable	cable Bremszuseile	cable kabel	cabolinka hamuca	fékkábel snura brzdy	1	TECNAMOTOR mm 1390/135
5 10 1466 20	cavo freno cable	cable Bremszuseile	cable kabel	cabolinka amuca	fékkábel snura brzd	1	B&S CLASSIC mm 1085/144,5
6 10 1214 70	gancio cable hook	crochet Zugentlastung	soporte de cable haak	suporte do cabo uchwyť linki rozrusznika	horog hák	1	
7 10 5012 00	dado nut	ecrou Mutter	tuerca moer	porca nakręťka	anya mática	2	M6
8 10 1159 00	rondella ondulata washer	rondelle Scheibe	arandela gegolfde borgring	aniha podkládka	alátét vinovitá podložka	2	Ø 6,5
9 20 2818 00	dado autobloccante nut	ecrou Mutter	tuerca moer	porca nakręťka	anya mática	1	M6 NYLON
10 10 4024 01	vite screw	vis Schraube	tornillo schroef	parafuso sruba	csavar skrutka	2	TTSQ M8x50
11 20 1063 00	dado nut	ecrou Mutter	tuerca moer	porca nakręťka	anya mática	7	M8
12 10 1501 33	manico inferiore handle lower	guidon inférieur Untere Griffsstange	manillar inferior onderste handgreep	guiador inferior dolny uchwyť	alsó markolat spodná rúčka	2	
13 10 1143 03	dado a galletto nut	ecrou Mutter	tuerca palomilla vleugelmoer	porca nakręťka	anya křídlová mática	4	
14 10 4024 02	rondella ondulata washer	rondelle Scheibe	arandela borgring	aniha podkládka	alátét podložka	2	Ø 8,5
15 10 1141 00	vite screw	vis Schraube	tornillo schroef	parafuso sruba	csavar skrutka	2	TTSQ M8x25
16 10 1142 00	rondella washer	rondelle Scheibe	arandela borgring	aniha podkládka	alátét podložka	2	Ø 8,5
17 10 1554 20	vite screw	vis Schraube	tornillo schroef	parafuso sruba	csavar skrutka	1	TE M5x60
18 10 2847 00	rondella washer	rondelle Scheibe	arandela borgring	aniha podkládka	alátét podložka	1	Ø 5x15
19 10 1466 70	acceleratore accelerator	accélérateur Gashebel	acelerador gas	acelerador gaz	sebességszabályzó akcelerató	1	HONDA GCV 135/160 TECNAMOTOR mm 1070/48
19 10 1553 60	acceleratore accelerator	accélérateur Gashebel	acelerador gas	acelerador gaz	sebességszabályzó akcelerató	1	B&S 40 mm 1430/48
20 10 1218 90	dado nut	ecrou Mutter	tuerca moer	porca nakręťka	anya mática	1	M5 FLANGIATO
21 10 1216 20	cavo freno cable	cable Bremszuseile	cable kabel	cabo linka hamuca	fékkábel snura brzdy	1	TECNAMOTOR mm 1420/141,5
21 10 1409 50	cavo freno cable	cable Bremszuseile	cable kabel	cabo linka hamuca	fékkábel snura brzdy	1	HONDA GCV 135/160 mm 1130/152
21 10 1216 10	cavo freno cable	cable Bremszuseile	cable kabel	cabo linka hamuca	fékkábel snura brzd	1	B&S QUATTRO 40 mm 1097/148
22 10 4076 00	vite screw	vis Schraube	tornillo schroef	parafuso sruba	csavar skrutka	3	TE M8x70
23 20 1062 00	rondella dentellata washer	rondelle Scheibe	arandela borgring	aniha a pressão podkládka	alátét ozubená podložka	6	Ø 8E
24 10 1009 00	chiavetta key	clavette Keil	chaveta spie	chaveta kluczyk	ék křídlic	1	DIN 6888 4x6,5
25 10 6005 03	anello distanziatore ring	anneau Ring	anillo ring	aniha podkládka	gyűrű krúczok	1	
26 10 4257 03	anello sottomotore ring	anneau Ring	anillo ring	aniha podkládka	gyűrű krúczok	1	
27 10 8318 00	vite autofilettante screw	vis Schraube	tornillo autorroscante schroef	parafus osruba	csavar samozávitová skrutka	3	TRILOBATA Ø 5x10
28 10 1582 53	carter protezione safety housing	protection Schutzgehäuse	protección beschermhuis	proteção obudowa ochronna	védokarter ochranný kryť	1	
30 10 1583 9P	scocca verde RAL 6005 deck	chassis Gehäuse	chasis maaidek	chassi obudowa	váz koroséri	1	VERDE RAL 6005
30 10 1583 92	scocca rossa RAL 3000 deck	chassis Gehäuse	chasis maaidek	chassi obudowa	váz koroséri	1	ROSSO RAL 3000
31 10 1460 10	supporto support	support Halter	soporte houder	suporte uchwyť	tartó podložka	4	
32 10 1072 03	leva sollevamento ruota lever	levier Hebel	palanca elevación rueda hendel	alavanca dzwignienka	emelő páka na nadvihnutie kolesa	4	
33 10 2725 00	rondella elastica washer	rondelle Scheibe	arandela borgring	aniha podkládka	alátét podložka	4	B13 - Ø 13/1,2
34 10 1071 00	vite screw	vis Schraube	tornillo schroef	parafuso sruba	csavar skrutka	4	
35 10 1148 04	tappo plug	bouchon Kappe	tapón dop	tampão zaslepka	dugó uzáver	4	
36 10 1200 90	vite screw	vis Schraube	tornillo schroef	parafuso sruba	csavar skrutka	4	
37 10 2751 00	rondella elastica washer	rondelle Scheibe	arandela borgring	aniha podkládka	alátét podložka	4	B13 - Ø 13x0,8
38 10 1219 00	cuscinetto ball bearing	roulement Kugellager	cojinete kogellager	rolamento łożysko	golyócsapágy ložisko	8	
39 10 1200 84	ruota wheel	roue Rad	rueda wiel	roda koto	kerék koleso	4	Ø 170 -MP649 TACCHETTATA

mod. **BIOMULCH S**

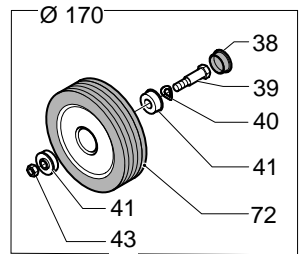
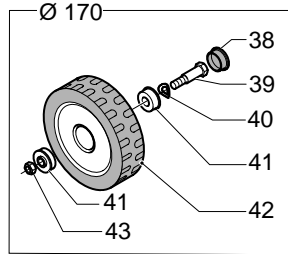
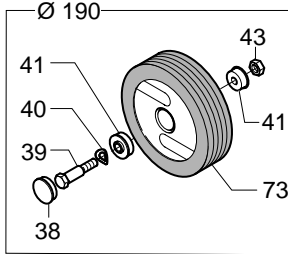
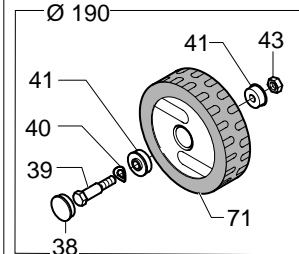
10 - RICAMBI - RECHANGES - SPARE PARTS - ERSATZTEILE - RECAMBIOS - ONDERDELEN - SOBRESSALENTES WYKAZ CZĘŚCI ZAMIENNYCH - CSEREALKATRÉSZEK - NÁHRADNÉ SÚČIASTKY



POSTERIORE - REAR

OPTIONAL

ANTERIORE - FRONT





mod. **BIOMULCH S**

10 - RICAMBI - RECHANGES - SPARE PARTS - ERSATZTEILE - RECAMBIOS - ONDERDELEN - SOBRESSALENTES WYKAZ CZĘŚCI ZAMIENNYCH - CSEREALKATRÉSZEK - NÁHRADNÉ SÚČIASTKY

N.ord. - N. pieces part. N. - Bestell N.	RICAMBI SPARE PARTS	RECHANGES ERSATZTEILE	RECAMBIOS ONDERDELEN	SOBRESSALENTES CZĘŚCI ZAMIENNE	CSEREALKATRÉSZEK NÁHRADNÉ SÚČIASTKY	Q	
1 10 1466 53	manico superiore upper handle	guidon superieur Obere Griffstange	manillar superior bovenste handgriep	guiador superior górný uchwyť	felső markolat horná rúčka	1	
2 10 1466 33	maniglia lever	manette Griff	mando hendel	manete rączka	fogantyú rúčka	2	
3 10 1467 13	perno pin	pivot Zapfen	pivot pin	pegão sworzen	haitófogaskerek závlačka	2	
4 20 8333 03	tappo plug	bouchon Kappe	tapón dop	tampão dugó	zaslepka uzáver	2	
5 10 1466 10	cavo freno cable	cable Bremszuseile	cable kabel	cabolinka hamuca	fékkábel snura brzdy	1	TECNAMOTOR mm 1390/135
5 10 1466 20	cavo freno cable	cable Bremszugseile	cable kabel	cabolinka amuca	fékkábel snura brzdy	1	B&S CLASSIC mm 1085/144,5
6 10 1214 70	gancio cable hook	crochet Zugentlastung	soporte de cable haak	suporte do cabo uchwyť linki rozrusznika	horog háok	1	
7 10 5012 00	dado nut	ecrou Mutter	tuerca moer	porca nakręťka	anya mática	2	M6
8 10 1159 00	rondella ondulata washer	rondelle Scheibe	arandela gegolfdede borgring	aniha podkladka	alátét vinovítá podložka	2	Ø 6,5
9 20 2818 00	dado autobloccante nut	ecrou Mutter	tuerca moer	porca nakręťka	anya mática	1	M6 NYLON
10 10 4024 01	vite screw	vis Schraube	tornillo schroef	parafuso schroef	csavar skrutka	2	TTSQ M8x50
11 20 1063 00	dado nut	ecrou Mutter	tuerca moer	porca nakręťka	anya mática	7	M8
12 10 1501 33	manico inferiore handle lower	guidon inferieur Untere Griffstange	manillar inferior onderste handgriep	guiador inferior dolný uchwyť	alsó markolat spodná rúčka	2	
13 10 1143 03	dado a galletto nut	ecrou Mutter	tuerca palomilla vleugelmoer	porca nakręťka	anya křídlová mática	4	
14 10 4024 02	rondella ondulata washer	rondelle Scheibe	arandela borgring	aniha podkladka	alátét podložka	2	Ø 8,5
15 10 1141 00	vite screw	vis Schraube	tornillo schroef	parafuso sruba	csavar skrutka	2	TTSQ M8x25
16 10 1142 00	rondella washer	rondelle Scheibe	arandela borgring	aniha podkladka	alátét podložka	2	Ø 8,5
17 10 1466 00	cavo frizione clutch cable	cable d'embrayage Kupplungszug	cable de embrague koppelingskabel	cabo linka sprzégla	gázkar kábel snúra spojky	1	mm 1465/1632
18 10 1554 20	vite screw	vis Schraube	tornillo schroef	parafuso sruba	csavar skrutka	1	TE M5x60
19 10 2847 00	rondella washer	rondelle Scheibe	arandela borgring	aniha podkladka	alátét podložka	1	Ø 5x15
20 10 1466 70	acceleratore accelerator	accélérateur Gashebel	acelerador gas	acelerador gaz	sebességsszabályzó akcelerátó	1	HONDA GCV 135/160 TECNAMOTOR mm 1070/48
20 10 1553 60	acceleratore accelerator	accélérateur Gashebel	acelerador gas	acelerador gaz	sebességsszabályzó akcelerátó	1	B&S 40 mm 1430/48
21 10 1218 90	dado nut	ecrou Mutter	tuerca moer	porca nakręťka	anya mática	1	M5 FLANGIATO
22 10 1216 20	cavo freno cable	cable Bremszuseile	cable kabel	cabo linka hamuca	fékkábel snura brzdy	1	TECNAMOTOR mm 1420/141,5
22 10 1409 50	cavo freno cable	cable Bremszuseile	cable kabel	cabo linka hamuca	fékkábel snura brzdy	1	HONDA GCV 135/160 mm 1130/152
22 10 1216 10	cavo freno cable	cable Bremszuseile	cable kabel	cabo linka hamuca	fékkábel snura brzdy	1	B&S QUATTRO 40 mm 1097/148
23 10 4076 00	vite screw	vis Schraube	tornillo schroef	parafuso sruba	csavar skrutka	3	TE M8x70
24 20 1062 00	rondella dentellata washer	rondelle Scheibe	arandela borgring	aniha a pressão podkladka	alátét ozubená podložka	6	Ø 8E
25 10 1009 00	chiavetta key	clavette Keil	chaveta spie	chaveta kluczyk	ék k'úćik	1	DIN 6888 4x6,5
26 10 6005 03	anello distanziatore ring	anneau Ring	anillo ring	aniha podkladka	gyűrű krúćok	1	
27 10 4257 03	anello sottomotore ring	anneau Ring	anillo ring	aniha podkladka	gyűrű krúćok	1	
28 10 8318 00	vite autofilettante screw	vis Schraube	tornillo autorroscante schroef	parafus osruba	csavar samozávitová skrutka	3	TRILOBATA Ø 5x10
29 10 1582 53	carter protezione safety housing	protection Schutzgehäuse	protección beschermhuis	proteção obudowa ochronna	védőkarter ochranný kryt	1	
30 10 1354 13	fermacavo cable lock	arret du cable Kabelhalter	fija cable Kelm	trava-cabo uchwyť kabla	kábel rögzítő drziak snury	1	
31 10 1460 93	supporto support	support Halter	soporte houder	suporte uchwyť	tartó podložka	2	
32 10 1583 8P	scocca verde RAL 6005 deck	chassis Gehäuse	chasis maaidek	chassi obudowa	váz koroséria	1	VERDE RAL 6005
32 10 1583 82	scocca rossa RAL 3000 deck	chassis Gehäuse	chasis maaidek	chassi obudowa	váz koroséria	1	ROSSO RAL 3000
33 20 1357 20	vite autofilettante screw	vis Schraube	tornillo autorroscante schroef	parafus osruba	csavar samozávitová skrutka	3	TCTC 2F Ø 5x16
34 10 1460 10	supporto support	support Halter	soporte houder	suporte uchwyť	tartó podložka	2	
35 10 1072 03	leva sollevamento ruota lever	levier Hebel	palanca elevación ruoda hendel	alavanca dzwigienka	emelő páka na nadvihnutie koleasa	2	
36 10 2725 00	rondella elastica washer	rondelle Scheibe	arandela borgring	aniha podkladka	alátét podložka	2	B13 - Ø 13/1,2
37 10 1071 00	vite screw	vis Schraube	tornillo schroef	parafuso sruba	csavar skrutka	2	
38 10 1148 04	tappo plug	bouchon Kappe	tapón dop	tampão zaslepka	dugó uzáver	4	
39 10 1200 90	vite screw	vis Schraube	tornillo schroef	parafuso sruba	csavar skrutka	4	



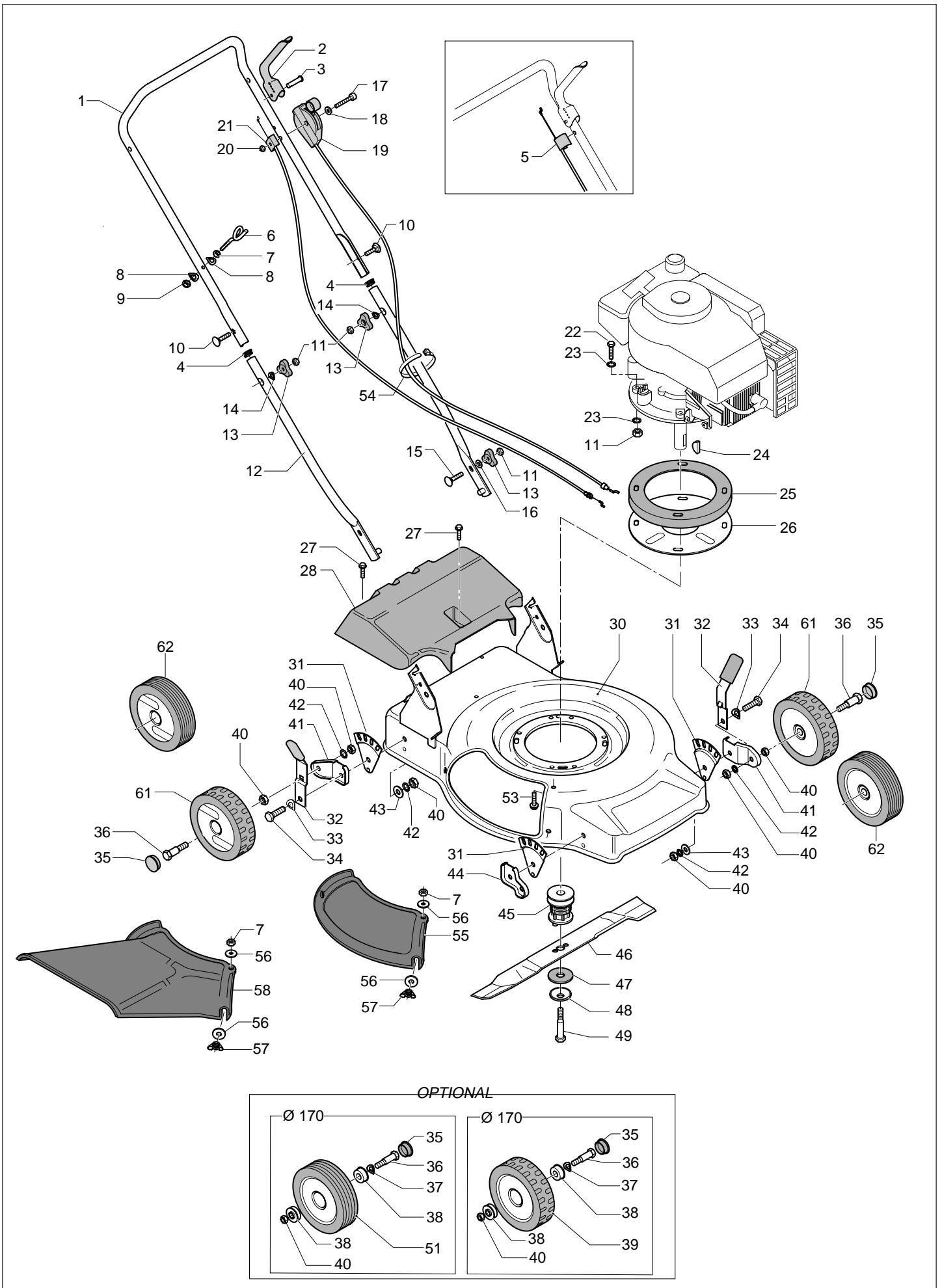
mod. **BIOMULCH S**

10- RICAMBI - RECHANGES - SPARE PARTS - ERSATZTEILE - RECAMBIOS - ONDERDELEN - SOBRESSALENTES WYKAZ CZĘŚCI ZAMIENNYCH - CSEREALKATRÉSZEK - NÁHRADNÉ SÚČIASTKY

N.ord. - N. pieces part. N. - Bestell N.	RICAMBI SPARE PARTS	RECHANGES ERSATZTEILE	RECAMBIOS ONDERDELEN	SOBRESSALENTES CZĘŚCI ZAMIENNE	CSEREALKATRÉSZEK NÁHRADNÉ SÚČIASTKY	Q	
40	10 2751 00	rondella elastica washer	rondelle Scheibe	arandela borgring	aniha podkladka	4	B13 - Ø 13x0,8
41	10 1219 00	cuscinetto ball bearing	roulement Kugellager	cojinete Kugellager	rolamento lozysko	8	
42	10 1200 84	ruota wheel OK	roue Rad	rueda wiel	roda koto	2	Ø 170 - MP649SP TACCHETTATA
43	20 1017 00	dado nut	ecrou Mutter	tuerca moer	porca nakrętk	10	M10 - H.8
44	10 1073 01	supporto ruota wheel bearing	support des roues Radhalter	soporte rueda assteun	suporte roda uchwył kola	1	
45	30 1021 00	rondella dentellata washer	rondelle Scheibe	arandela borgring	aniha a pressão podkladka	4	Ø 10E
46	20 1130 00	rondella washer	rondelle Scheibe	arandela borgring	aniha podkladka	2	Ø 10/30
47	10 1073 02	supporto ruota wheel bearing	support des roues Radhalter	soporte rueda assteun	suporte rod uchwył kola	1	kerékstartó držiak koleša
48	10 8313 00	supporto lama blade bearing	support lame Messerhalter	soporte cuchilla messenhouder	suporte da lamina uchwył noza	1	H.85
49	10 1585 10	lama blade	lame Messer	cuchilla mes	lamina nóz	1	cm 49
50	10 1585 40	rondella frizione washer	rondelle Scheibe	arandela borgring	aniha podkladka	1	Ø 17,5/40/1,5
51	10 7827 00	rondella elastica washer	rondelle Federscheibe	arandela borgring	aniha elástica podkladka	1	Ø 11/40/2,5
52	10 2809 01	vite screw	vis Schraube	tornillo schroef	parafuso sruba	1	TE Ø 3/8" UNFx65
53	10 4272 00	cinghia belt	courroie Keilriemen	correa riem	correia pasek klinowy	1	Z.28 - Li 710
54	09 7687 00	riduttore completo reducer complet	reducteur complete Getriebe Kpl.	caja de transmision complete reductor	moła sprężyna	1	rugó pruzina
55	10 7684 00	spina pin	goupille Spann Hülse	pasador trekstang	golpilha klin	1	Ø 5x30
56	20 7682 03	puleggia pulley	pouile Riemenscheibe	polea poelie	polei koto zamachowe	1	tárcsa remenica
57	10 1583 20	molla tenditore spring	ressort Feder	muelle veer	moła sprężyna	1	rugó pruzina
58	10 1583 10	tubetto distanziale spacer tube	toyau entretoise Röhrentfernungsstück	tubo distanciadór afstandsbusje	tubo distanciadór tulejka na os	1	közrögítő csövecské rozperka
59	10 1211 60	chiavetta key	clavette Keil	chaveta spie	ék kl'účik	2	A"S"5x5x19
60	10 1201 70	pignone pinion	pignon Antriebsritzel	piñon pignon	pegão zębatka	1	SINISTRO
61	10 1216 73	flangia flange	bride Flansh	brida flens	flange flangia	1	karima obruba
62	10 1583 00	assale posterior erear axle	assieu arrière Hintere Achsengruppe	eje trasero achteras	eixo de trás os tylnia	1	hátsó tengely zadná os
63	20 6558 00	seeger seeger	seeger Segerring	seeger seeger	aniho seeger pierscien Seegera	6	Ø 12E
64	20 6576 00	cuscinetto ball-bearing	roulemen tKugellager	cojinete Kugellager	rolamento lozysko	2	6001 - 2RS Ø 12/28/8
65	10 8312 00	rondella washer	rondelle Scheibe	arandela borgring	aniha podkladka	2	Ø 12/34/0,7
66	10 1201 60	pignone pinion	pignon Antriebsritzel	piñon pignon	pegão zębatka	1	DESTRO
67	20 7613 00	rondella washer	rondelle Scheibe	arandela borgring	aniha podkladka	2	Ø 12
68	20 1072 03	guaina sheating	gaine Hulle	protección hulsel	proteção da manete ostona	1	tok puzdro
69	10 1219 70	leva lever	levier Hebel	palanca hendel	alavanca dzwignia	1	elemő páka
70	10 1216 63	flangia flange	bride Flansh	brida flens	flange flangia	1	karima obruba
71	10 1200 64	ruota wheel OK	roue Rad	rueda wiel	roda koto	2	Ø 190 - MP649SP TACCHETTATA
72	10 1215 74	ruota wheel NO	roue Rad	rueda wiel	roda koto	2	Ø 170 - ER649SP RIGATA
73	10 1215 54	ruota wheel NO	roue Rad	rueda wiel	roda koto	2	Ø 190 - ER649SP RIGATA
74	20 6505 07	vite screw	vis Schraube	tornillo schroef	parafuso sruba	3	TEFR M6x16
75	10 1356 00	fascetta clamp	colier Schlauchklemme	abrazadera kabelhouder	abraçadeira opaska	2	csobilincs remienok
76	10 1583 53	coperchio scocca cover	couvercle Deckel	tapa kapje	tampa pokrywa	1	fedél veko
77	10 1260 00	rondella washer	rondelle Scheibe	arandela borgring	aniha podkladka	3	Ø 6/18
78	10 1585 20	dado a galletto nut	ecrou Mutter	tuerca palomilla vleugelmoer	porca nakrętk	2	Ø 6
79	10 1583 63	paratoia laterale deflector	deflecteur Prallschutz	deflectór deflector	deflector klapa	1	védőkartér chránic
80	10 1200 54	ruota wheel NO	roue Rad	rueda wiel	roda koto	2	Ø 190 - MP649SP TACCHETTATA
81	10 1215 64	ruota wheel NO	roue Rad	rueda wiel	roda koto	2	Ø 190 - ER649SP RIGATA
82	10 1200 74	ruota wheel NO	roue Rad	rueda wiel	roda koto	2	Ø 170 - MP649SP TACCHETTATA
83	10 1215 84	ruota wheel NO	roue Rad	rueda wiel	roda koto	2	Ø 170 - ER649SP RIGATA

mod. BIOMULCH

10 - RICAMBI - RECHANGES - SPARE PARTS - ERSATZTEILE - RECAMBIOS - ONDERDELEN - SOBRESSALENTES WYKAZ CZĘŚCI ZAMIENNYCH - CSEREALKATRÉSZEK - NÁHRADNÉ SÚČIASTKY





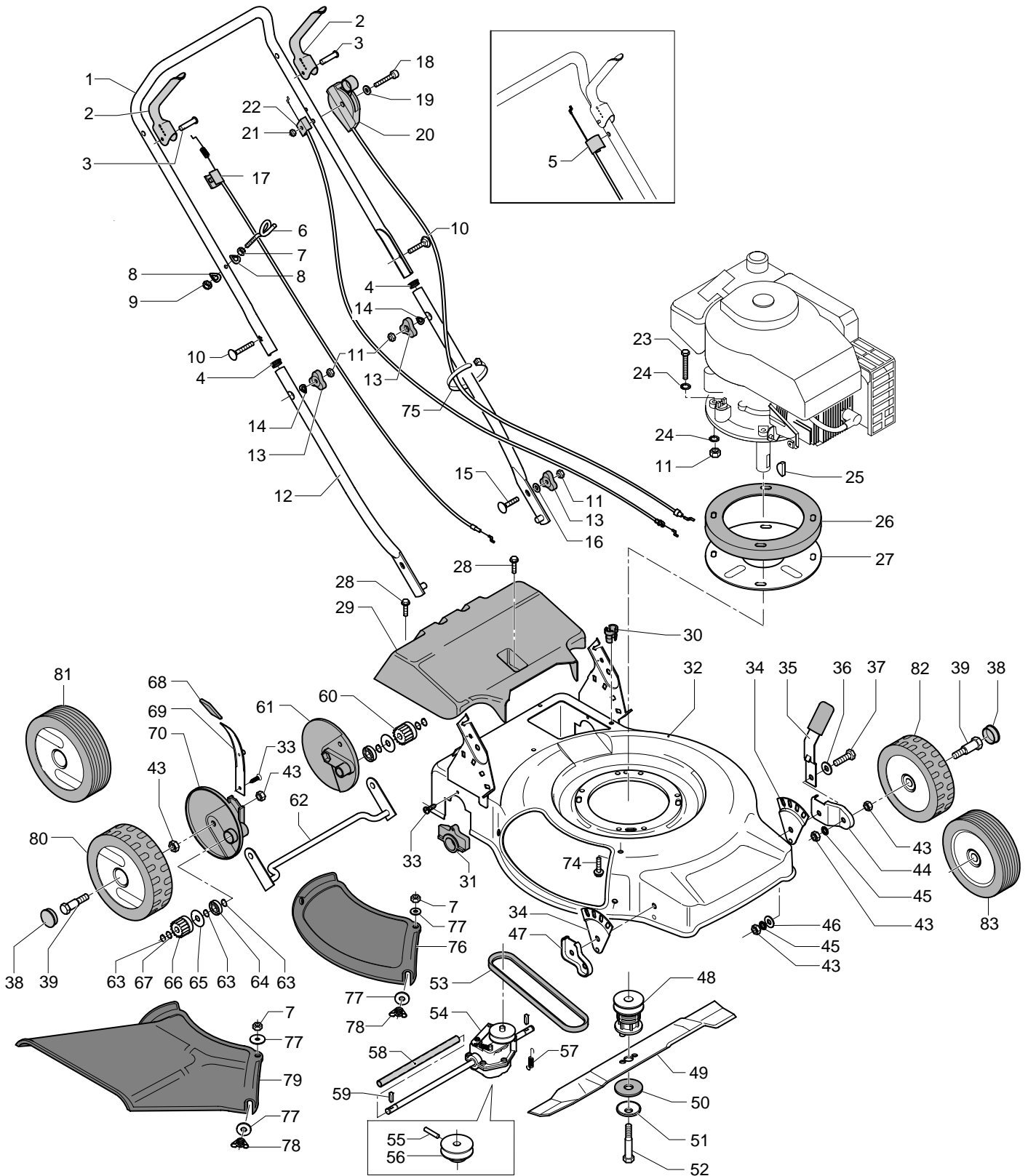
mod. BIOMULCH

10 - RICAMBI - RECHANGES - SPARE PARTS - ERSATZTEILE - RECAMBIOS - ONDERDELEN - SOBRESSALENTES WYKAZ CZĘŚCI ZAMIENNYCH - CSEREALKATRÉSZEK - NÁHRADNÉ SÚČIASTKY

N.ord. - N. pièces part. N. - Bestell N.	RICAMBI SPARE PARTS	RECHANGES ERSATZTEILE	RECAMBIOS ONDERDELEN	SOBRESSALENTES CZĘŚCI ZAMIENNE	CSEREALKATRÉSZEK NÁHRADNÉ SÚČIASTKY	Q	
1 10 1466 53	manico superiore upper handle	guidon supérieur Obere Griffstange	manillar superior bovenste handgreep	guiador superior górný uchwyť	felső markolat horná rúcka	1	
2 10 1466 33	maniglia lever	manette Griff	mando hendel	manete rączka	fogantyú rúcka	1	
3 10 6514 00	perno pin	pivot Zapfen	pivot pin	pegão szworzen	haitófogaskerek závlacka	1	
4 20 8333 03	tappo plug	bouchon Kappe	tapón dop	tampão dugó	zaslepka uzáver	2	
5 10 1466 10	cavo freno cable	cable Bremszuseile	cable kabel	cabolinka hamuca	fékkábel snura brzdy	1	TECNAMOTOR mm 1390/135
5 10 1466 20	cavo freno cable	cable Bremszuseile	cable kabel	cabolinka amuca	fékkábel snura brzd	1	B&S CLASSIC mm 1085/144,5
6 10 1214 70	gancio cable hook	crochet Zugentlastung	soporte de cable haak	suporte do cabo uchwyť linki rozrusznika	horog hák	1	
7 10 5012 00	dado nut	ecrou Mutter	tuerca moer	porca nakręťka	anya mática	2	M6
8 10 1159 00	rondella ondulata washer	rondelle Scheibe	arandela gegolfde borgring	aniha podkládka	alátét vinovitá podložka	2	Ø 6,5
9 20 2818 00	dado autobloccante nut	ecrou Mutter	tuerca moer	porca nakręťka	anya mática	1	M6 NYLON
10 10 4024 01	vite screw	vis Schraube	tornillo schroef	parafuso sruba	csavar skrutka	2	TTSQ M8x50
11 20 1063 00	dado nut	ecrou Mutter	tuerca moer	porca nakręťka	anya mática	7	M8
12 10 1501 33	manico inferiore handle lower	guidon inférieur Untere Griffsstange	manillar inferior onderste handgreep	guiador inferior dolny uchwyť	alsó markolat spodná rúcka	2	
13 10 1143 03	dado a galletto nut	ecrou Mutter	tuerca palomilla vleugelmoer	porca nakręťka	anya křídlová mática	4	
14 10 4024 02	rondella ondulata washer	rondelle Scheibe	arandela borgring	aniha podkládka	alátét podložka	2	Ø 8,5
15 10 1141 00	vite screw	vis Schraube	tornillo schroef	parafuso sruba	csavar skrutka	2	TTSQ M8x25
16 10 1142 00	rondella washer	rondelle Scheibe	arandela borgring	aniha podkládka	alátét podložka	2	Ø 8,5
17 10 1554 20	vite screw	vis Schraube	tornillo schroef	parafuso sruba	csavar skrutka	1	TE M5x60
18 10 2847 00	rondella washer	rondelle Scheibe	arandela borgring	aniha podkládka	alátét podložka	1	Ø 5x15
19 10 1466 70	acceleratore accelerator	accélérateur Gashebel	acelerador gas	acelerador gaz	sebességszabályzó akcelerató	1	HONDA GCV 135/160 TECNAMOTOR mm 1070/48
19 10 1553 60	acceleratore accelerator	accélérateur Gashebel	acelerador gas	acelerador gaz	sebességszabályzó akcelerató	1	B&S 40 mm 1430/48
20 10 1218 90	dado nut	ecrou Mutter	tuerca moer	porca nakręťka	anya mática	1	M5 FLANGIATO
21 10 1216 20	cavo freno cable	cable Bremszuseile	cable kabel	cabo linka hamuca	fékkábel snura brzdy	1	TECNAMOTOR mm 1420/141,5
21 10 1409 50	cavo freno cable	cable Bremszuseile	cable kabel	cabo linka hamuca	fékkábel snura brzdy	1	HONDA GCV 135/160 mm 1130/152
21 10 1216 10	cavo freno cable	cable Bremszuseile	cable kabel	cabo linka hamuca	fékkábel snura brzd	1	B&S QUATTRO 40 mm 1097/148
22 10 4078 00	vite screw	vis Schraube	tornillo schroef	parafuso sruba	csavar skrutka	3	TE M8x70
23 20 1062 00	rondella dentellata washer	rondelle Scheibe	arandela borgring	aniha a pressão podkládka	alátét ozubená podložka	6	Ø 8E
24 10 1009 00	chiavetta key	clavette Keil	chaveta spie	chaveta kluczyk	ék křídlic	1	DIN 6888 4x6,5
25 10 6005 03	anello distanziatore ring	anneau Ring	anillo ring	aniha podkládka	gyűrű krúczok	1	
26 10 4257 03	anello sottomotore ring	anneau Ring	anillo ring	aniha podkládka	gyűrű krúczok	1	
27 10 4274 00	vite autofilettante screw	vis Schraube	tornillo autorroscante schroef	parafus osruba	csavar samozávitová skrutka	3	TRILOBATA Ø 5x10
28 10 1582 53	carter protezione safety housing	protection Schutzgehäuse	protección beschermhuis	proteção obudowa ochronna	védokarter ochranný kryt	1	
30 10 1775 9P	scocca verde RAL 6005 deck	chassis Gehäuse	chassis maaidek	chassi obudowa	váz koroséria	1	VERDE 6005
30 10 1775 92	scocca rossa RAL 3000 deck	chassis Gehäuse	chassis maaidek	chassi obudowa	váz koroséria	1	ROSSO 3000
31 10 1460 10	supporto support	support Halter	soporte houder	suporte uchwyť	tartó podložka	4	
32 10 1072 03	leva sollevamento ruota lever	levier Hebel	palanca elevación rueda hendel	alavanca dzwignienka	emelő páka na nadvihnutie kolesa	4	
33 10 2725 00	rondella elastica washer	rondelle Scheibe	arandela borgring	aniha podkládka	alátét podložka	4	B13 - Ø 13/1,2
34 10 1071 00	vite screw	vis Schraube	tornillo schroef	parafuso sruba	csavar skrutka	4	
35 10 1148 01	tappo plug	bouchon Kappe	tapón dop	tampão zaslepka	dugó uzáver	4	
36 10 1200 90	vite screw	vis Schraube	tornillo schroef	parafuso sruba	csavar skrutka	4	
37 10 2751 00	rondella elastica washer	rondelle Scheibe	arandela borgring	aniha podkládka	alátét podložka	4	B13 - Ø 13x0,8
38 10 1219 00	cuscinetto ball bearing	roulement Kugellager	cojinete kogellager	rolamento łożysko	golyócsapágy ložisko	8	
39 10 1200 84	ruota wheel	roue Rad	rueda wiel	roda koto	kerék koleso	4	Ø 170 -MP649 TACCHETTATA

mod. **BIOMULCH S**

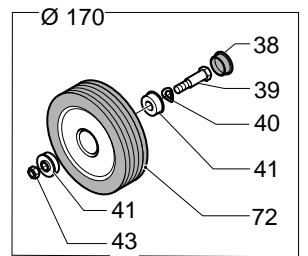
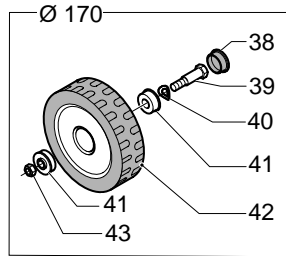
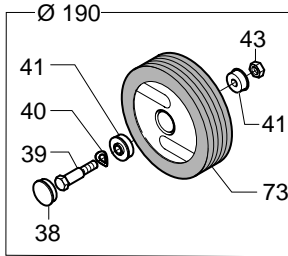
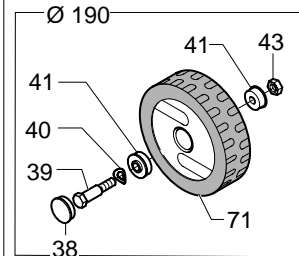
10 - RICAMBI - RECHANGES - SPARE PARTS - ERSATZTEILE - RECAMBIOS - ONDERDELEN - SOBRESSALENTES WYKAZ CZĘŚCI ZAMIENNYCH - CSEREALKATRÉSZEK - NÁHRADNÉ SÚČIASTKY



POSTERIORE - REAR

OPTIONAL

ANTERIORE - FRONT





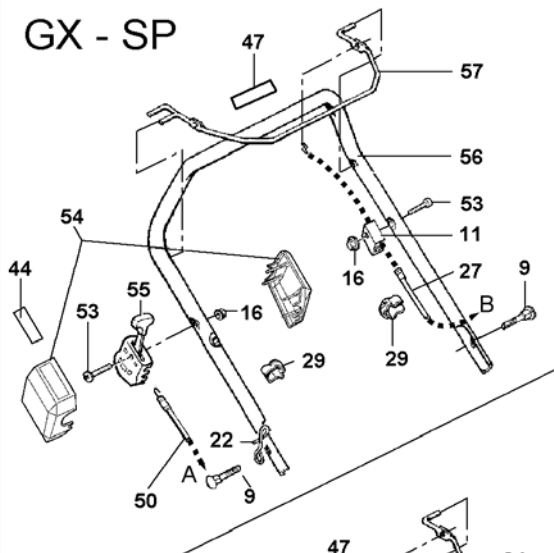
mod. **BIOMULCH S**

10 - RICAMBI - RECHANGES - SPARE PARTS - ERSATZTEILE - RECAMBIOS - ONDERDELEN - SOBRESSALENTES WYKAZ CZĘŚCI ZAMIENNYCH - CSEREALKATRÉSZEK - NÁHRADNÉ SÚČIASTKY

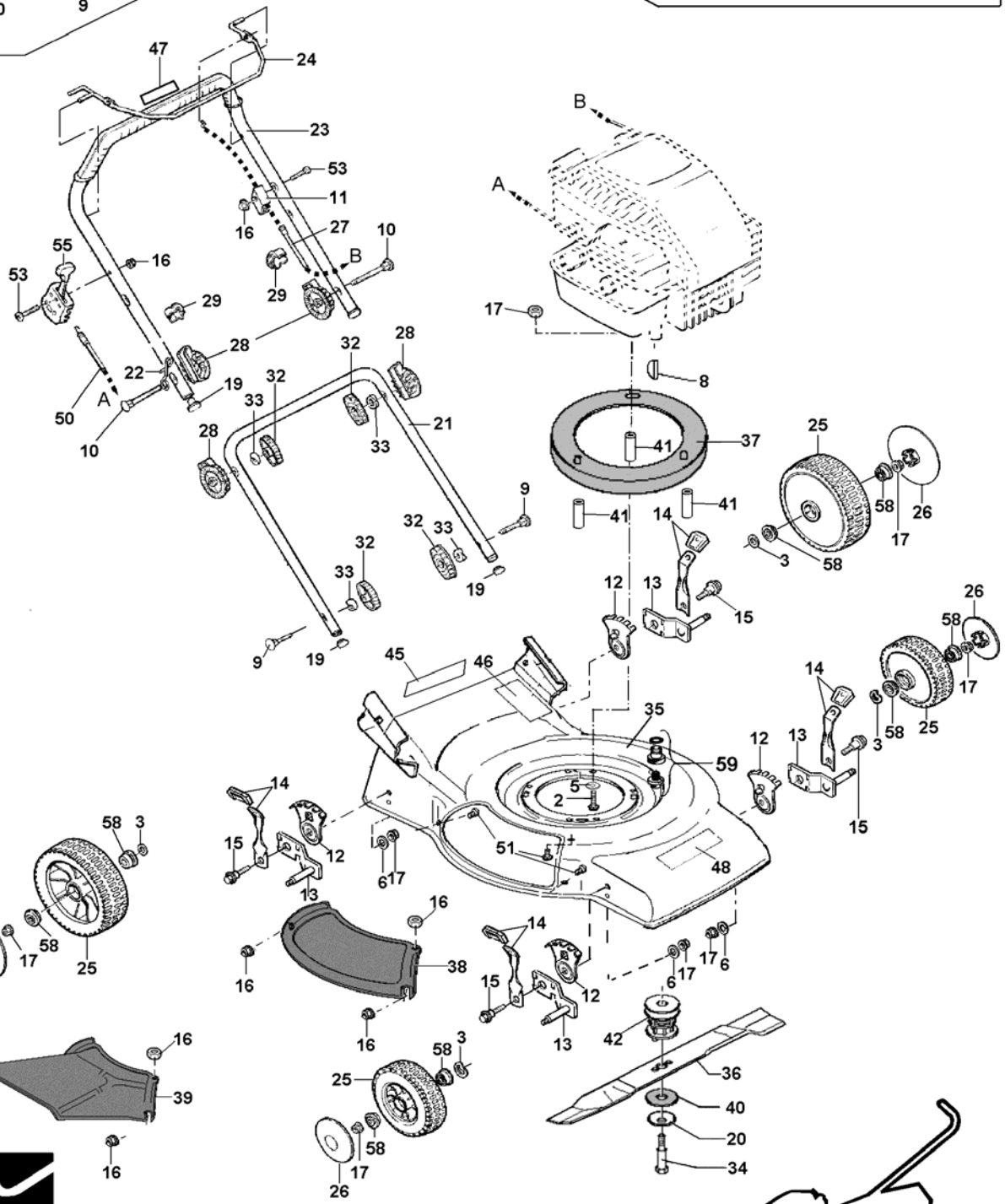
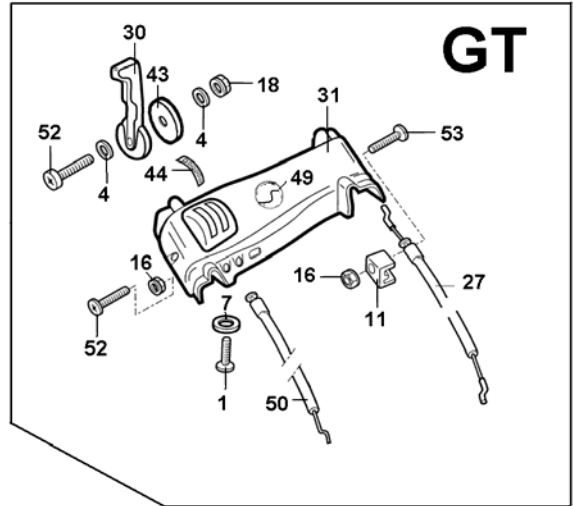
N.ord. - N. pieces part. N. - Bestell N.	RICAMBI SPARE PARTS	RECHANGES ERSATZTEILE	RECAMBIOS ONDERDELEN	SOBRESSALENTES CZĘŚCI ZAMIENNE	CSEREALKATRÉSZEK NÁHRADNÉ SÚČIASTKY	Q	
1 10 1466 53	manico superiore upper handle	guidon superieur Obere Griffstange	manillar superior bovenste handgriep	guiador superior górný uchwyť	felső markolat horná rúčka	1	
2 10 1466 33	maniglia lever	manette Griff	mando hendel	manete rączka	fogantyú rúčka	2	
3 10 6514 00	perno pin	pivot Zapfen	pivot pin	pegão sworzen	haitófogaskerek závlačka	2	
4 20 8333 03	tappo plug	bouchon Kappe	tapón dop	tampão dugó	zaslepka uzáver	2	
5 10 1466 10	cavo freno cable	cable Bremszuseile	cable kabel	cabolinka hamuca	fékkábel snura brzdy	1	TECNAMOTOR mm 1390/135
5 10 1466 20	cavo freno cable	cable Bremszugseile	cable kabel	cabolinka amuca	fékkábel snura brzd	1	B&S CLASSIC mm 1085/144,5
6 10 1214 70	gancio cable hook	crochet Zugentlastung	soporte de cable haak	suporte do cabo uchwyť linki rozrusznika	horog hák	1	
7 10 5012 00	dado nut	ecrou Mutter	tuerca moer	porca nakręťka	anya mática	2	M6
8 10 1159 00	rondella ondulata washer	rondelle Scheibe	arandela gegolfdé borgring	aniha podkladka	alátét vinovítá podložka	2	Ø 6,5
9 20 2818 00	dado autobloccante nut	ecrou Mutter	tuerca moer	porca nakręťka	anya mática	1	M6 NYLON
10 10 4024 01	vite screw	vis Schraube	tornillo schroef	parafuso schroef	csavar skrutka	2	TTSQ M8x50
11 20 1063 00	dado nut	ecrou Mutter	tuerca moer	porca nakręťka	anya mática	7	M8
12 10 1501 33	manico inferiore handle lower	guidon inferieur Untere Griffstange	manillar inferior onderste handgriep	guiador inferior dolný uchwyť	alsó markolat spodná rúčka	2	
13 10 1143 03	dado a galletto nut	ecrou Mutter	tuerca palomilla vleugelmoer	porca nakręťka	anya křídlová mática	4	
14 10 4024 02	rondella ondulata washer	rondelle Scheibe	arandela borgring	aniha podkladka	alátét podložka	2	Ø 8,5
15 10 1141 00	vite screw	vis Schraube	tornillo schroef	parafuso sruba	csavar skrutka	2	TTSQ M8x25
16 10 1142 00	rondella washer	rondelle Scheibe	arandela borgring	aniha podkladka	alátét podložka	2	Ø 8,5
17 10 1466 00	cavo frizione clutch cable	cable d'embrayage Kupplungszug	cable de embrague koppelingskabel	cabo linka sprzégla	gázkar kábel snúra spojky	1	mm 1465/1632
18 10 1554 20	vite screw	vis Schraube	tornillo schroef	parafuso sruba	csavar skrutka	1	TE M5x60
19 10 2847 00	rondella washer	rondelle Scheibe	arandela borgring	aniha podkladka	alátét podložka	1	Ø 5x15
20 10 1466 70	acceleratore accelerator	accélérateur Gashebel	acelerador gas	acelerador gaz	sebességszabályzó akcelerátó	1	HONDA GCV 135/160 TECNAMOTOR mm 1070/48
20 10 1553 60	acceleratore accelerator	accélérateur Gashebel	acelerador gas	acelerador gaz	sebességszabályzó akcelerátó	1	B&S 40 mm 1430/48
21 10 1218 90	dado nut	ecrou Mutter	tuerca moer	porca nakręťka	anya mática	1	M5 FLANGIATO
22 10 1216 20	cavo freno cable	cable Bremszuseile	cable kabel	cabo linka hamuca	fékkábel snura brzdy	1	TECNAMOTOR mm 1420/141,5
22 10 1409 50	cavo freno cable	cable Bremszuseile	cable kabel	cabo linka hamuca	fékkábel snura brzdy	1	HONDA GCV 135/160 mm 1130/152
22 10 1216 10	cavo freno cable	cable Bremszuseile	cable kabel	cabo linka hamuca	fékkábel snura brzd	1	B&S QUATTRO 40 mm 1097/148
23 10 4078 00	vite screw	vis Schraube	tornillo schroef	parafuso sruba	csavar skrutka	3	TE M8x70
24 20 1062 00	rondella dentellata washer	rondelle Scheibe	arandela borgring	aniha a pressão podkladka	alátét ozubená podložka	6	Ø 8E
25 10 1009 00	chiavetta key	clavette Keil	chaveta spie	chaveta kluczyk	ék k'úćik	1	DIN 6888 4x6,5
26 10 6005 03	anello distanziatore ring	anneau Ring	anillo ring	aniha podkladka	gyűrű krúćok	1	
27 10 4257 03	anello sottomotore ring	anneau Ring	anillo ring	aniha podkladka	gyűrű krúćok	1	
28 10 4274 00	vite autofilettante screw	vis Schraube	tornillo autorroscante schroef	parafus osruba	csavar samozávitová skrutka	3	TRILOBATA Ø 5x10
29 10 1582 53	carter protezione safety housing	protection Schutzgehäuse	protección beschermhuis	proteção obudowa ochronna	védőkarter ochranný kryt	1	
30 10 1354 13	fermacavo cable lock	arret du cable Kabelhalter	fija cable Kelm	trava-cabo uchwyť kabla	kábel rögzítő drziak snury	1	
31 10 1460 93	supporto support	support Halter	soporte houder	suporte uchwyť	tartó podložka	2	
32 10 1776 0P	scocca deck	chassis Gehäuse	chasis maaidek	chassi obudowa	váz koroséria	1	VERDE 6005
32 10 1776 02	scocca deck	chassis Gehäuse	chasis maaidek	chassi obudowa	váz koroséria	1	ROSSO 3000
33 20 1357 20	vite autofilettante screw	vis Schraube	tornillo autorroscante schroef	parafus osruba	csavar samozávitová skrutka	3	TCTC 2F Ø 5x16
34 10 1460 10	supporto support	support Halter	soporte houder	suporte uchwyť	tartó podložka	2	
35 10 1072 03	leva sollevamento ruota lever	levier Hebel	palanca elevación rueda hendel	alavanca dzwigienka	emelő páka na nadvihnutie koleasa	2	
36 10 2725 00	rondella elastica washer	rondelle Scheibe	arandela borgring	aniha podkladka	alátét podložka	2	B13 - Ø 13/1,2
37 10 1071 00	vite screw	vis Schraube	tornillo schroef	parafuso sruba	csavar skrutka	2	
38 10 1148 04	tappo plug	bouchon Kappe	tapón dop	tampão zaslepka	dugó uzáver	4	
39 10 1200 90	vite screw	vis Schraube	tornillo schroef	parafuso sruba	csavar skrutka	4	

Biomulch 51 GT-GX-SP

GX - SP



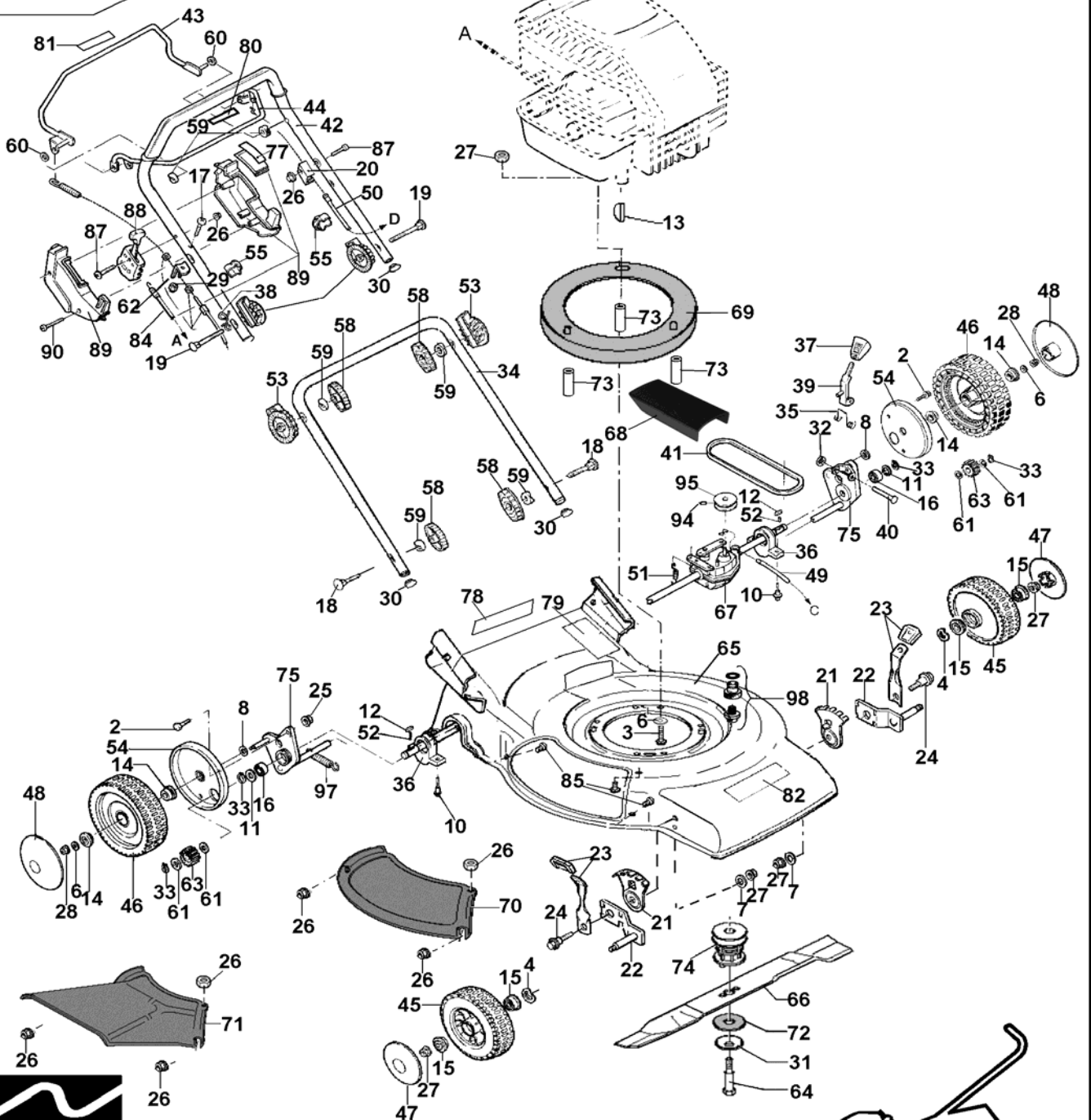
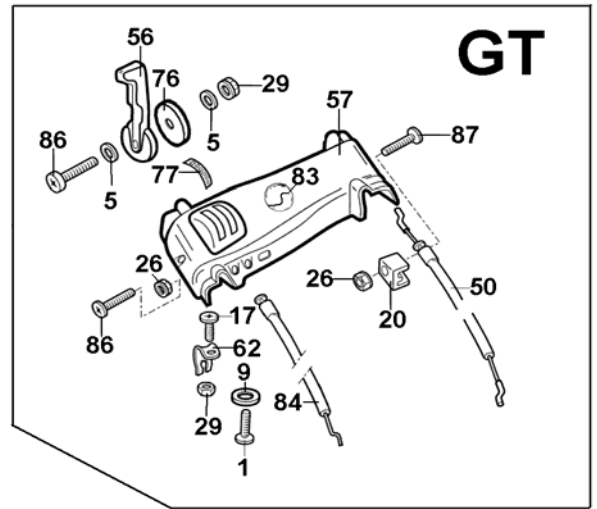
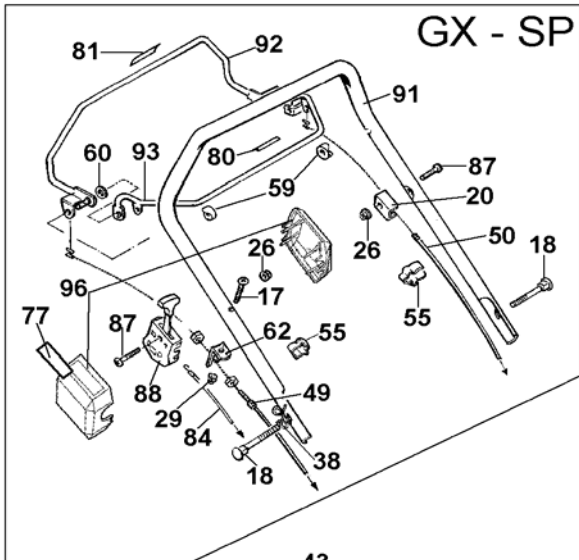
GT



RICAMBI ORIGINALI

POS.	CODICE	I	F	D	GB	E	GT	GX	SP
1	CP026322	VITE AUTOF.	VIS	SCHRAUBE	SCREW	TORNILLO	1		
2	CP030865	VITE TE	VIS	SCHRAUBE	SCREW	TORNILLO	3	3	3
2	CP030890	VITE TE	VIS	SCHRAUBE	SCREW	TORNILLO	1 X ENGINE XTS		
3	CP032812	RONDELLA	RONDELLE	SCHEIBE	WASHER	ARANDELA	4	4	4
3	CP032913	RONDELLA	RONDELLE	SCHEIBE	WASHER	ARANDELA	4 X RUOTE CP047118.98		
4	CP032907	RONDELLA	RONDELLE	SCHEIBE	WASHER	ARANDELA	2		
5	CP032908	RONDELLA	RONDELLE	SCHEIBE	WASHER	ARANDELA	3	3	3
6	CP032909	RONDELLA	RONDELLE	SCHEIBE	WASHER	ARANDELA	4	4	4
7	CP032916	RONDELLA	RONDELLE	SCHEIBE	WASHER	ARANDELA	1		
8	CP037406	CHIAVETTA	CLAVETTE	SCHLÜSSELCHEN	WOODRUFF KEY	CHAVETA	1	1	1
9	CP040850	VITE TTQST	VIS	SCHRAUBE	SCREW	TORNILLO	2	4	4
10	CP040875	VITE TTQST	VIS	SCHRAUBE	SCREW	TORNILLO	2		
11	CP042216	BLOCCETTO CAVO	ATTACHE CABLE FR	KABELBESCHWERE	CLIP	FIJADOR CABLE	1	1	1
12	CP042245	SETTORE	SECTEUR	PLATTE	SECTOR	PLACA ALTURAS	4	4	4
13	CP042248	SUPPORTO	SUPPORT	ACHSELAGER	SUPPORT	SOPORTE	4	4	4
14	CP042250	LEVA ALZO	LEVIER	STANGE	LEVER	LEVA ALTURAS	4	4	4
15	CP042268	VITE	VIS	SCHRAUBE	SCREW	TORNILLO	4	4	4
16	CP042806	DADO	ÉCROU	MUTTER	KNOB	ESPARRAGO	5	5	4
17	CP042808	DADO	ÉCROU	MUTTER	KNOB	ESPARRAGO	11	11	11
18	CP044906	DADO	ÉCROU	MUTTER	KNOB	ESPARRAGO	1		
19	CP045722	TAPPO	COUVERCLE	KAPPE	CAP	TAPA	4		
20	CP045910	MOLLA A TAZZA	RONDELLE	SCHEIBE	WASHER	MUELLE	1	1	1
21	CP047034	MANICO INF.	GUIDON	STIEL	HANDLE	MANILLAR	1	1	1
22	CP047242	GANCIO FUNE AVV.	PORTE CABLE	KABELHALTER	CABLE SUPPORT	FIJADOR CABLE	1	1	1
23	CP050043	MANICO SUP.	GUIDON	STIEL	HANDLE	MANILLAR	1		
24	CP050071	LEVA FRENO	LEVIER FREIN	STANGE	LEVER	LEVA	1		
25	CP050106	RUOTA 180	ROUE	RAD	WHEEL	RUEDA		4	4
25	CP050108	RUOTA 180	ROUE	RAD	WHEEL	RUEDA	4	<--- (fino a / till 12/2005)	
25	CP047118.98	RUOTA 180 PH ZINC	ROUE ACIER	VERZINKTES RAD	ZINC WHEEL	RUEDA ZINC	4	<--- (da / from 01/2006)	
26	CP050127	COPIRRUOTA 180	CACHE MOYEU	RADDECKUNG	HUB CAP	TAPA RUEDA	2 (da/from 04/2004 a/to 12/2005)		
26	CP050128	COPIRRUOTA 180	CACHE MOYEU	RADDECKUNG	HUB CAP	TAPA RUEDA	2 (fino a / till 04/2004)		
26	CP047133	COPIRRUOTA	CACHE MOYEU	RADDECKUNG	HUB CAP	TAPA RUEDA	2 (da / from 01/2006)		
27	?-TAB-FR	CAVO FRENO	CABLE FREIN	KABEL	CABLE	CABLE	1	1	1
28	CP050212	REGOLATORE MANI	REGLAGE DE GUIDO	STIELREGULATOR	HANDLE REGULATO	REGULADOR MANIL	4		
29	CP050222	FERMACAVO	ATTACHE CABLE	KABELBESCHWERE	CLIP	FIJADOR CABLE	2		1
30	CP050224	LEVA DI COMANDO	LEVIER	STANGE	LEVER	LEVA	1		
31	CP050225	PLANCIA GRIGIA 703	TABLEAU DE BORD	ARMATURENBRETT	DASH-BOARD	PLACA DEL MANILLA	1		
32	CP050228	POMOLO MANICO	ÉCROU	GRIFF	KNOB HANDLE	POMO MANILLAR	4	4	4
33	CP050230	RONDELLA	RONDELLE	SCHEIBE	WASHER	ARANDELA	4	4	4
34	CP050965	VITE LAMA 10.9	VIS 10.9	SCHRAUBE 10.9	SCREW 10.9	TORNILLO 10.9	1	1	1
35	CP051004	CHASSIS VERDE	CARTER RAL 6005	GEHÄUSE	DECK	CHASIS	1		
35	CP051004.02	CHASSIS ROSSO	CARTER RAL 3000	GEHÄUSE	DECK	CHASIS		1	
35	CP051004.12	CHASSIS TURCHESE	CARTER	GEHÄUSE	DECK	CHASIS			1
36	CP051015	LAMA	LAME	MESSER	BLADE	CUCHILLA	1	1	1
37	CP051174	ANELLO DISTANZIAT	ANNEAU	RING	RING	ANILLO	1	1	1
38	CP051175	COPERCHIO SCOCC	COUVERCLE	COVER	DECKEL	TAPA	1	1	1
39	CP051176	PARATOIA LATERAL	DEFLECTEUR	PRALLSCHUTZ	REFLECTOR	DEFLECTOR	1	1	1
40	CP051239	RONDELLA DI FRIZIO	RONDELLE	SCHEIBE	WASHER	ARANDELA	1	1	1
41	CP051259	BOCCOLA	BOUCLE	BÜCHSE	BUSH	DISTANCIADOR	3	3	3
42	CP051274	MOZZO CON PULEG	PORTE LAME + POU	MESSERHALTER	BLADE ADAPTOR+P	PORTA CUCHILLA+P	1	1	1
43	CP053238	RONDELLA	RONDELLE	SCHEIBE	WASHER	ARANDELA	1		
44	CP053710	DECALCO	DECALQUE	ETIKETTE	DECAL	CARTEL	1	1	
45	CP053715	DECALCO	DECALQUE	ETIKETTE	DECAL	CARTEL	1	1	1
46	CP053813	DECALCO	DECALQUE	ETIKETTE	DECAL	CARTEL	1	1	1
47	CP053842	DECALCO	DECALQUE	ETIKETTE	DECAL	CARTEL	1	1	1
48	CP053910	DECALCO GREENTE	DECALQUE	ETIKETTE	DECAL	CARTEL	1		
48	CP053861	DECALCO GALAXY	DECALQUE	ETIKETTE	DECAL	CARTEL		1	
48	CP053862	DECALCO SPARTAN	DECALQUE	ETIKETTE	DECAL	CARTEL			1
49	CP053911	DECALCO	DECALQUE	ETIKETTE	DECAL	CARTEL	1		
50	?-TAB-AC	CAVO ACCELERATO	CABLE GAZ	KABEL	CABLE	CABLE	1	1	
51	CP060616	VITE TC	VIS	SCHRAUBE	SCREW	TORNILLO	3	3	3
52	CP060630	VITE TC	VIS	SCHRAUBE	SCREW	TORNILLO	2		
53	CP060640	VITE TC	VIS	SCHRAUBE	SCREW	TORNILLO	1	2	1
54	CP047220	COPRIACCELERATO	COUVERCLE	DECKEL	COVER	COPA PROTECTORA		1	
55	CP047250	COMANDO ACCELEF	LEVIER	STANGE	THROTTLE LEVER	LEVA		1	
56	CP047042	MANICO SUP.	GUIDON	STIEL	HANDLE	MANILLAR		1	1
57	CP047071	LEVA FRENO	LEVIER FREIN	STANGE	LEVER	LEVA		1	1
58	CP038227	CUSCINETTO 12X27	ROULEMENT	KUGELLAGER	BALL BEARING	COJINETE	8	8	8
58	CP038228	CUSCINETTO	ROULEMENT	KUGELLAGER	BALL BEARING	COJINETE	8 X RUOTE CP047118.98		
59	CP052225	INNESTO RAPIDO	RACCORD DE L'EAU	SPELDEUESE	WATER CONNECTOR	ENLACE	1	1	1

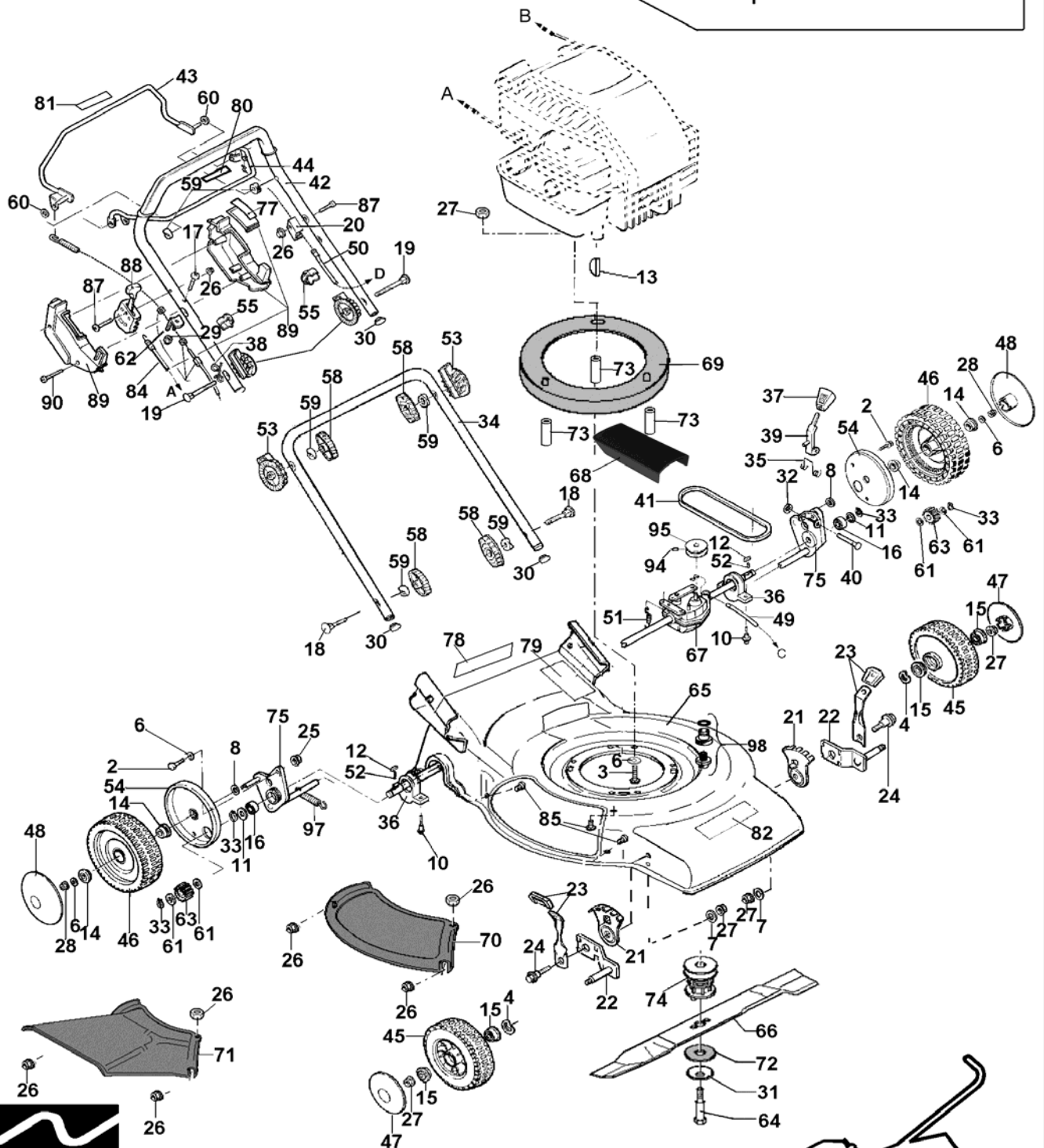
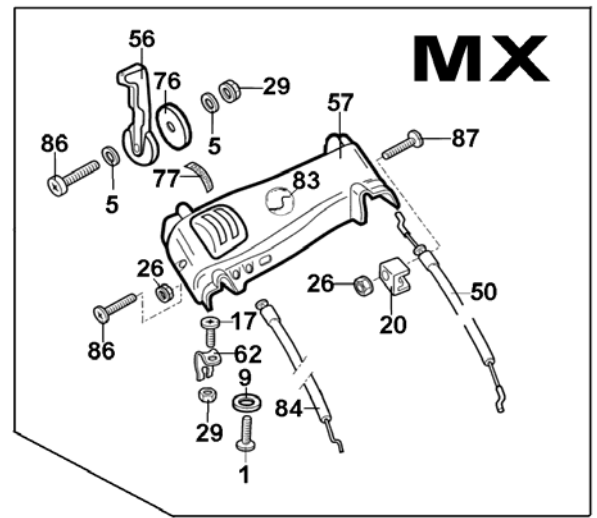
Biomulch 51 S GT-GX-SP



RICAMBI ORIGINALI

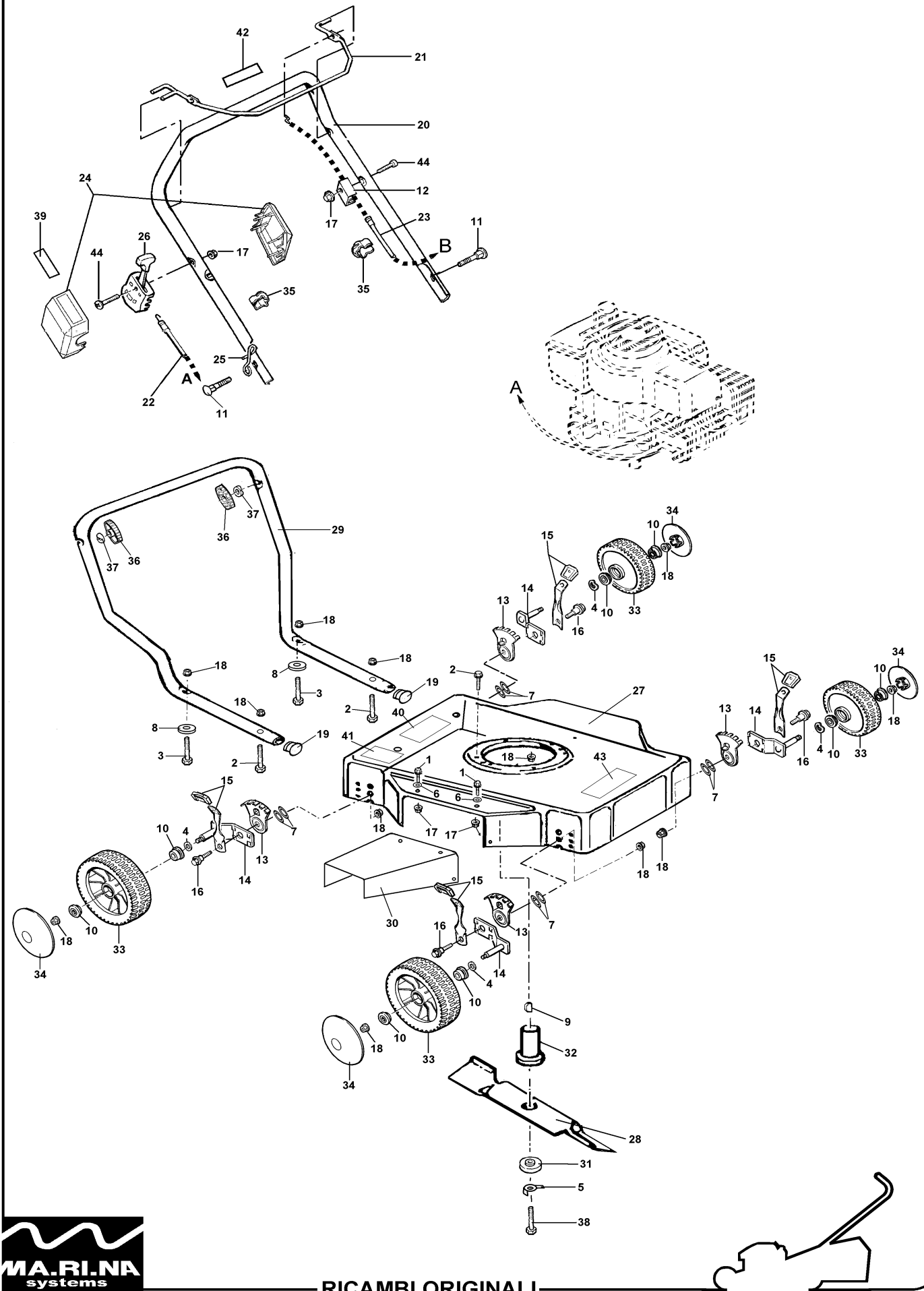
POS.	CODICE	I	F	D	GB	E	GT	GX	SP
1	CP026322	VITE AUTOF.	VIS	SCHRAUBE	SCREW	TORNILLO	1		
2	CP030816	VITE TE	VIS	SCHRAUBE	SCREW	TORNILLO	2	2	2
3	CP030865	VITE TE	VIS	SCHRAUBE	SCREW	TORNILLO	3	3	3
3	CP030890	VITE TE	VIS	SCHRAUBE	SCREW	TORNILLO	1 X ENGINE XTS		
4	CP032812	RONDELLA	RONDELLE	SCHEIBE	WASHER	ARANDELA	2	2	2
4	CP032913	RONDELLA	RONDELLE	SCHEIBE	WASHER	ARANDELA	4 X RUOTE CP047118.98 - CP053128.98		
5	CP032907	RONDELLA	RONDELLE	SCHEIBE	WASHER	ARANDELA	2		
6	CP032908	RONDELLA	RONDELLE	SCHEIBE	WASHER	ARANDELA	5	5	5
7	CP032909	RONDELLA	RONDELLE	SCHEIBE	WASHER	ARANDELA	2	2	2
8	CP032913	RONDELLA	RONDELLE	SCHEIBE	WASHER	ARANDELA	2	2	2
9	CP032916	RONDELLA	RONDELLE	SCHEIBE	WASHER	ARANDELA	1		
10	CP034615	RIVETTO	RIVET	NIET	RIVET	CLAVO	4	4	4
11	CP035905	RASAMENTO	RONDELLE	SCHEIBE	WASHER	ARANDELA	2	2	2
12	CP037305	CHIAVETTA	CLAVETTE	SCHLÜSSELCHEN	WOODRUFF KEY	CHAVETA	2	2	2
13	CP037406	CHIAVETTA	CLAVETTE	SCHLÜSSELCHEN	WOODRUFF KEY	CHAVETA	1	1	1
14	CP038226	CUSCINETTO 12X26	ROULEMENT	KUGELLAGER	BALL BEARING	COJINETE	4	4	4
14	CP038228	CUSCINETTO	ROULEMENT	KUGELLAGER	BALL BEARING	COJINETE	4 X RUOTE CP053128.98		
15	CP038227	CUSCINETTO 12X27	ROULEMENT	KUGELLAGER	BALL BEARING	COJINETE	4	4	4
15	CP038228	CUSCINETTO	ROULEMENT	KUGELLAGER	BALL BEARING	COJINETE	4 X RUOTE CP047118.98		
16	CP038228	CUSCINETTO	ROULEMENT	KUGELLAGER	BALL BEARING	COJINETE	2	2	2
17	CP040630	VITE TTQST	VIS	SCHRAUBE	SCREW	TORNILLO	1	1	1
18	CP040850	VITE TTQST	VIS	SCHRAUBE	SCREW	TORNILLO	2	4	4
19	CP040875	VITE TTQST	VIS	SCHRAUBE	SCREW	TORNILLO	2		
20	CP042216	BLOCCHETTO CAVO F	ATTACHE CABLE FRE	KABELBESCHWERER	CLIP	FIJADOR CABLE	1	1	1
21	CP042245	SETTORE	SECTEUR	PLATTE	SECTOR	PLACA ALTURAS	2	2	2
22	CP042248	SUPPORTO	SUPPORT	ACHSELAGER	SUPPORT	SOPORTE	2	2	2
23	CP042250	LEVA ALZO	LEVIER	STANGE	LEVER	LEVA ALTURAS	2	2	2
24	CP042268	VITE	VIS	SCHRAUBE	SCREW	TORNILLO	2	2	2
25	CP042708	DADO	ÉCROU	MUTTER	KNOB	ESPARRAGO	1	1	1
26	CP042806	DADO	ÉCROU	MUTTER	KNOB	ESPARRAGO	5	5	4
27	CP042808	DADO	ÉCROU	MUTTER	KNOB	ESPARRAGO	7	7	7
28	CP044708	DADO	ÉCROU	MUTTER	KNOB	ESPARRAGO	2	2	2
29	CP044906	DADO	ÉCROU	MUTTER	KNOB	ESPARRAGO	2	1	1
30	CP045722	TAPPO	COUVERCLE	KAPPE	CAP	TAPA	4		
31	CP045910	MOLLA A TAZZA	RONDELLE	SCHEIBE	WASHER	MUELLE	1	1	1
32	CP046606	RITEGNO	CLIP	RÜCKHALT	RETAINER	ANILLO CLIP	1	1	1
33	CP046812	SEEGER	SEEGER	RUCKHALT	RETAINER	ANILLO CLIP	4	4	4
34	CP047034	MANICO INF.	GUIDON	STIEL	HANDLE	MANILLAR	1	1	1
35	CP047191	MOLLA	RESSORT	FEDER	SPRING	MUELLE	1	1	1
36	CP047215	SUPPORTO ASSALE	SUPPORT	ACHSELAGER	SUPPORT	SOPORTE	2	2	2
37	CP047236	CAPPUCCIO	CACHE MOYEU	KAPPE	HOOD	POMO	1	1	1
38	CP047242	GANCIO FUNE AVV.	PORTE CABLE	KABELHALTER	CABLE SUPPORT	FIJADOR CABLE	1	1	1
39	CP047255	LEVA ALZO	LEVIER	STANGE	LEVER	LEVA ALTURAS	1	1	1
40	CP047267	PERNO	GOUJON	ZAPFEN	PIN	PERNO	1	1	1
41	CP047730	CINGHIA Z 30	COURROIE	RIEMEN	BELT	CORREA	1	1	1
42	CP050043	MANICO SUP.	GUIDON	STIEL	HANDLE	MANILLAR	1		
43	CP050068	LEVA INNESTO	LEVIER EMBRAYAGE	STANGE	LEVER CLUTCH	LEVA	1		
44	CP050073	LEVA FRENO	LEVIER FREIN	STANGE	LEVER	LEVA	1		
45	CP050106	RUOTA 180	ROUE	RAD	WHEEL	RUEDA		2	2
45	CP050108	RUOTA 180	ROUE	RAD	WHEEL	RUEDA	2	<--- (fino a / till 12/2005)	
45	CP047118.98	RUOTA 180 PH ZINCA	ROUE ACIER	VERZINKTES RAD	ZINC WHEEL	RUEDA ZINC	2	<--- (da / from 01/2006)	
46	CP050116	RUOTA 200	ROUE	RAD	WHEEL	RUEDA		2	2
46	CP050118	RUOTA 200	ROUE	RAD	WHEEL	RUEDA	2	<--- (fino a / till 12/2005)	
46	CP053128.98	RUOTA 209T PH ZINCA	ROUE ACIER	VERZINKTES RAD	ZINC WHEEL	RUEDA ZINC	2	<--- (da / from 01/2006)	
47	CP050127	COPRIRUOTA 180	CACHE MOYEU	RADDECKUNG	HUB CAP	TAPA RUEDA	2 (da/from 04/2004 a/to 12/2005)		
47	CP050128	COPRIRUOTA 180	CACHE MOYEU	RADDECKUNG	HUB CAP	TAPA RUEDA	2 (fino a / till 04/2004)		
47	CP047133	COPRIRUOTA	CACHE MOYEU	RADDECKUNG	HUB CAP	TAPA RUEDA	2 (da / from 01/2006)		
48	CP050132	COPRIRUOTA 200-230	CACHE MOYEU	RADDECKUNG	HUB CAP	TAPA RUEDA	2 (da/from 04/2004 a/to 12/2005)		
48	CP050133	COPRIRUOTA 200-230	CACHE MOYEU	RADDECKUNG	HUB CAP	TAPA RUEDA	2 (fino a / till 04/2004)		
48	CP047133	COPRIRUOTA	CACHE MOYEU	RADDECKUNG	HUB CAP	TAPA RUEDA	2 (da / from 01/2006)		
49	CP050139	CAVO SEMOVENZA	CABLE D'EMBRAYAGE	SELBSTBEWEGLICHK	CABLE CLUTCH	CABLE TRACCION	1	1	1
50	?-TAB-FR	CAVO FRENO	CABLE FREIN	KABEL	CABLE	CABLE	1	1	1
51	CP050191	MOLLA	RESSORT	FEDER	SPRING	MUELLE	1	1	1
52	CP050194	MOLLA	RESSORT	FEDER	SPRING	MUELLE	2	2	2
53	CP050212	REGOLATORE MANICO	REGLAGE DE GUIDON	STIELREGULATOR	HANDLE REGULATOR	REGULADOR MANILLA	4		
54	CP050214	COPRIRUOTA INTERN	CACHE MOYEU	RADDECKUNG	HUB CAP	TAPA RUEDA	2	2	2
55	CP050222	FERMACAVO	ATTACHE CABLE	KABELBESCHWERER	CLIP	FIJADOR CABLE	2	2	2
56	CP050224	LEVA DI COMANDO	LEVIER	STANGE	LEVER	LEVA	1		
57	CP050225	PLANCIA GRIGIA 7035	TABEAU DE BORD	ARMATURENBRETT	DASH-BOARD	PLACA DEL MANILLAR	1		
58	CP050228	POMOLO MANICO	ÉCROU	GRIFF	KNOB HANDLE	POMO MANILLAR	4	4	4
59	CP050230	RONDELLA	RONDELLE	SCHEIBE	WASHER	ARANDELA	6	6	6
60	CP050234	RONDELLA	RONDELLE	SCHEIBE	WASHER	ARANDELA	2	2	2
61	CP050238	RONDELLA	RONDELLE	SCHEIBE	WASHER	ARANDELA	4	4	4
62	CP050243	STAFFETTA REGISTR	EQUARRE	WINKELMASS	BRACKET	ABRAZDERA CABLE	1	1	1
63	CP050298	INGRANAGGIO	PIGNON	GETRIEBE	PINION	ENGRANAJE	2	2	2
64	CP050965	VITE LAMA 10.9	VIS 10.9	SCHRAUBE 10.9	SCREW 10.9	TORNILLO 10.9	1	1	1
65	CP051005	CHASSIS VERDE	CARTER RAL 6005	GEHÄUSE	DECK	CHASIS	1		
65	CP051005.02	CHASSIS TOROSSO	CARTER RAL 3000	GEHÄUSE	DECK	CHASIS		1	
65	CP051005.12	CHASSIS TURCHESE	CARTER	GEHÄUSE	DECK	CHASIS			1
66	CP051015	LAMA	LAME	MESSER	BLADE	CUCHILLA	1	1	1
67	CP051089	RIDUTTORE TB 51	REDUCTEUR	UNTERSZUNGGETR	GEAR BOX ASSY	TRANSMISION	1	1	1
68	CP051097	COPRICINGHIA	COUVERCLE COURRO	RIEMENSCHUTZ	BELT COVER	TAPA	1	1	1
69	CP051174	ANELLO DISTANZIATO	ANNEAU	RING	RING	ANILLO	1	1	1
70	CP051175	COPERCHIO SCOCCA	COUVERCLE	COVER	DECKEL	TAPA	1	1	1
71	CP051176	PARATOIA LATERALE	DEFLECTEUR	PRALLSCHUTZ	DEFLECTOR	DEFLECTÓR	1	1	1

BIOMULCH MX 51 S



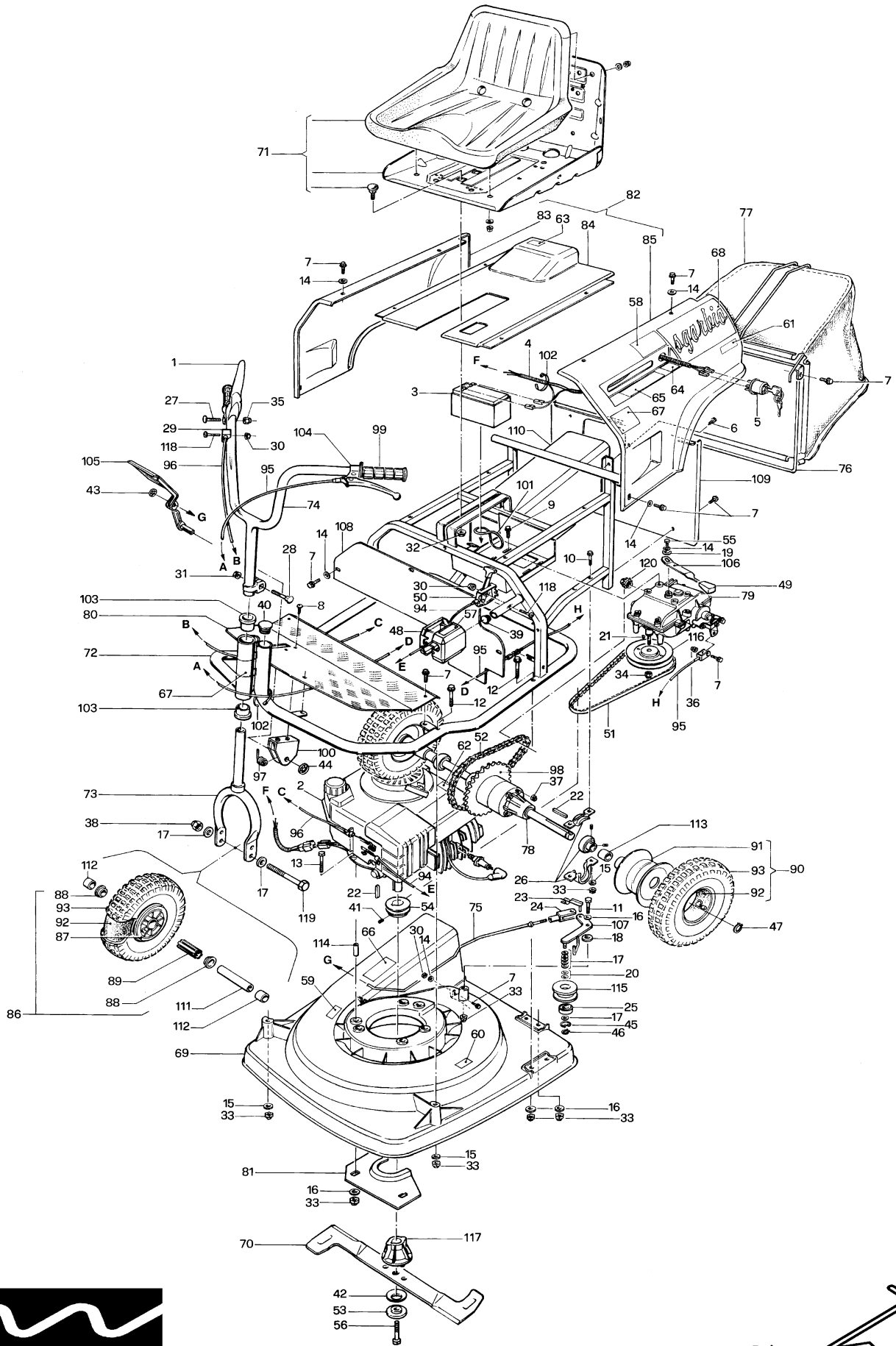
POS.	CODICE	I	F	D	GB	E	MX
1	CP026322	VITE AUTOF.	VIS	SCHRAUBE	SCREW	TORNILLO	1
2	CP030816	VITE TE	VIS	SCHRAUBE	SCREW	TORNILLO	2
3	CP030865	VITE TE	VIS	SCHRAUBE	SCREW	TORNILLO	3
3	CP030890	VITE TE	VIS	SCHRAUBE	SCREW	TORNILLO	1 X ENGINE XTS
4	CP032812	RONDELLA	RONDELLE	SCHEIBE	WASHER	ARANDELA	2
4	CP032913	RONDELLA	RONDELLE	SCHEIBE	WASHER	ARANDELA	4 X RUOTE CP047118.98 - CP053128.98
5	CP032907	RONDELLA	RONDELLE	SCHEIBE	WASHER	ARANDELA	2
6	CP032908	RONDELLA	RONDELLE	SCHEIBE	WASHER	ARANDELA	5
7	CP032909	RONDELLA	RONDELLE	SCHEIBE	WASHER	ARANDELA	2
8	CP032913	RONDELLA	RONDELLE	SCHEIBE	WASHER	ARANDELA	2
9	CP032916	RONDELLA	RONDELLE	SCHEIBE	WASHER	ARANDELA	1
10	CP034615	RIVETTO	RIVET	NIET	RIVET	CLAVO	4
11	CP035905	RASAMENTO	RONDELLE	SCHEIBE	WASHER	ARANDELA	2
12	CP037305	CHIAVETTA	CLAVETTE	SCHLÜSSELCHEN	WOODRUFF KEY	CHAVETA	2
13	CP037406	CHIAVETTA	CLAVETTE	SCHLÜSSELCHEN	WOODRUFF KEY	CHAVETA	1
14	CP038226	CUSCINETTO 12X26	ROULEMENT	KUGELLAGER	BALL BEARING	COJINETE	4
14	CP038228	CUSCINETTO	ROULEMENT	KUGELLAGER	BALL BEARING	COJINETE	4 X RUOTE CP053128.98
15	CP038227	CUSCINETTO 12X27	ROULEMENT	KUGELLAGER	BALL BEARING	COJINETE	4
15	CP038228	CUSCINETTO	ROULEMENT	KUGELLAGER	BALL BEARING	COJINETE	4 X RUOTE CP047118.98
16	CP038228	CUSCINETTO	ROULEMENT	KUGELLAGER	BALL BEARING	COJINETE	2
17	CP040630	VITE TTQST	VIS	SCHRAUBE	SCREW	TORNILLO	1
18	CP040850	VITE TTQST	VIS	SCHRAUBE	SCREW	TORNILLO	2
19	CP040875	VITE TTQST	VIS	SCHRAUBE	SCREW	TORNILLO	2
20	CP042216	BLOCCETTO CAVO FREIN	ATTACHE CABLE FREIN	KABELBESCHWERER	CLIP	FIJADOR CABLE	1
21	CP042245	SETTORE	SECTEUR	PLATTE	SECTOR	PLACA ALTURAS	2
22	CP042248	SUPPORTO	SUPPORT	ACHSELAGER	SUPPORT	SOPORTE	2
23	CP042250	LEVA ALZO	LEVIER	STANGE	LEVER	LEVA ALTURAS	2
24	CP042268	VITE	VIS	SCHRAUBE	SCREW	TORNILLO	2
25	CP042708	DADO	ÉCROU	MUTTER	KNOB	ESPARRAGO	1
26	CP042806	DADO	ÉCROU	MUTTER	KNOB	ESPARRAGO	5
27	CP042808	DADO	ÉCROU	MUTTER	KNOB	ESPARRAGO	7
28	CP044708	DADO	ÉCROU	MUTTER	KNOB	ESPARRAGO	2
29	CP044906	DADO	ÉCROU	MUTTER	KNOB	ESPARRAGO	2
30	CP045722	TAPPO	COUVERCLE	KAPPE	CAP	TAPA	4
31	CP045910	MOLLA A TAZZA	RONDELLE	SCHEIBE	WASHER	MUELLE	1
32	CP046606	RITEGNO	CLIP	RÜCKHALT	RETAINER	ANILLO CLIP	1
33	CP046812	SEEGER	SEEGER	RÜCKHALT	RETAINER	ANILLO CLIP	4
34	CP047034	MANICO INF.	GUIDON	STIEL	HANDLE	MANILLAR	1
35	CP047191	MOLLA	RESSORT	FEDER	SPRING	MUELLE	1
36	CP047215	SUPPORTO ASSALE	SUPPORT	ACHSELAGER	SUPPORT	SOPORTE	2
37	CP047236	CAPPUCCIO	CACHE MOYEU	KAPPE	HOOD	POMO	1
38	CP047242	GANCIO FUNE AVV.	PORTE CABLE	KABELHALTER	CABLE SUPPORT	FIJADOR CABLE	1
39	CP047255	LEVA ALZO	LEVIER	STANGE	LEVER	LEVA ALTURAS	1
40	CP047267	PERNO	GOUJON	ZAPFEN	PIN	PERNO	1
41	CP047730	CINGHIA Z 30	COURROIE	RIEMEN	BELT	CORREA	1
42	CP050043	MANICO SUP.	GUIDON	STIEL	HANDLE	MANILLAR	1
43	CP050068	LEVA INNESTO	LEVIER EMBRAYAGE	STANGE	LEVER CLUTCH	LEVA	1
44	CP050073	LEVA FRENO	LEVIER FREIN	STANGE	LEVER	LEVA	1
45	CP050108	RUOTA 180	ROUE	RAD	WHEEL	RUEDA	2 (fino a / till 12/2005)
45	CP047118.98	RUOTA 180 PH ZINCATO	ROUE ACIER	VERZINKTES RAD	ZINC WHEEL	RUEDA ZINC	2 (da / from 01/2006)
46	CP050118	RUOTA 200	ROUE	RAD	WHEEL	RUEDA	2 (fino a / till 12/2005)
46	CP053128.98	RUOTA 209T PH ZINCATO	ROUE ACIER	VERZINKTES RAD	ZINC WHEEL	RUEDA ZINC	2 (da / from 01/2006)
47	CP050127.23	COPRIRUOTA 180	CACHE MOYEU	RADDECKUNG	HUB CAP	TAPA RUEDA	2 (fino a / till 12/2005)
47	CP047133	COPRIRUOTA	CACHE MOYEU	RADDECKUNG	HUB CAP	TAPA RUEDA	2 (da / from 01/2006)
48	CP050132.23	COPRIRUOTA 200-230	CACHE MOYEU	RADDECKUNG	HUB CAP	TAPA RUEDA	2 (fino a / till 12/2005)
48	CP047133	COPRIRUOTA	CACHE MOYEU	RADDECKUNG	HUB CAP	TAPA RUEDA	2 (da / from 01/2006)
49	CP050139	CAVO SEMOVENZA	CABLE D'EMBAYAGE	SELBSTBEWEGLICHKA	CABLE CLUTCH	CABLE TRACCION	1
50	?-TAB-FR	CAVO FRENO	CABLE FREIN	KABEL	CABLE	CABLE	1
51	CP050191	MOLLA	RESSORT	FEDER	SPRING	MUELLE	1
52	CP050194	MOLLA	RESSORT	FEDER	SPRING	MUELLE	2
53	CP050212	REGOLATORE MANICO	REGLAGE DE GUIDON	STIELREGULATOR	HANDLE REGULATOR	REGULADOR MANILLAR	4
54	CP050214	COPRIRUOTA INTERNO	CACHE MOYEU	RADDECKUNG	HUB CAP	TAPA RUEDA	2
55	CP050222	FERMACAVO	ATTACHE CABLE	KABELBESCHWERER	CLIP	FIJADOR CABLE	2
56	CP050224	LEVA DI COMANDO	LEVIER	STANGE	LEVER	LEVA	1
57	CP050225.02	PLANCIA ROSSA 3000	TABLEAU DE BORD	ARMATURENBRETT	DASH-BOARD	PLACA DEL MANILLAR	1
58	CP050228	POMOLO MANICO	ÉCROU	GRIF	KNOB HANDLE	POMO MANILLAR	4
59	CP050230	RONDELLA	RONDELLE	SCHEIBE	WASHER	ARANDELA	6
60	CP050234	RONDELLA	RONDELLE	SCHEIBE	WASHER	ARANDELA	2
61	CP050238	RONDELLA	RONDELLE	SCHEIBE	WASHER	ARANDELA	4
62	CP050243	STAFFETTA REGISTRO	EQUARRE	WINKELMASS	BRACKET	ABRAZDERA CABLE	1
63	CP050298	INGRANAGGIO	PIGNON	GETRIEBE	PINION	ENGRANAJE	2
64	CP050965	VITE LAMA 10.9	VIS 10.9	SCHRAUBE 10.9	SCREW 10.9	TORNILLO 10.9	1
65	CP051005.90	CHASSIS INOX	CARTER INOX	GEHÄUSE	DECK INOX	CHASSIS	1
66	CP051015	LAMA	LAME	MESSER	BLADE	CUCHILLA	1
67	CP051089	RIDUTTORE TB 51	REDUCTEUR	UNTERSETZUNGGETRI	GEAR BOX ASSY	TRANSMISION	1
68	CP051097	COPRICINGHIA	COUVERCLE COURROI	RIEMENSCHUTZ	BELT COVER	TAPA	1
69	CP051174	ANELLO DISTANZIATOR	ANNEAU	RING	RING	ANILLO	1
70	CP051175	COPERCHIO SCOCCA	COUVERCLE	COVER	DECKEL	TAPA	1
71	CP051176	PARATOIA LATERALE	DEFLECTEUR	PRALLSCHUTZ	DEFLECTOR	DEFLECTÓR	1
72	CP051239	RONDELLA DI FRIZIONE	RONDELLE	SCHEIBE	WASHER	ARANDELA	1
73	CP051259	BOCCOLA	BOUCLE	BÜCHSE	BUSH	DISTANCIADOR	3
74	CP051274	MOZZO CON PULEGGIA	PORTE LAME + POULIE	MESSERHALTER	BLADE ADAPTOR+PULL	PORTA CUCHILLA+POL	1
75	CP053058	ASSALE POS	AXE ARRIERE	HINTERACHSE	REAR AXLE	EJE POSTERIOR	1
76	CP053238	RONDELLA	RONDELLE	SCHEIBE	WASHER	ARANDELA	1

GX 50 L

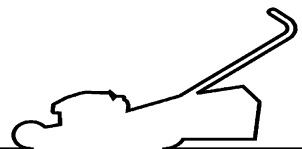


RICAMBI ORIGINALI

SGORBIO



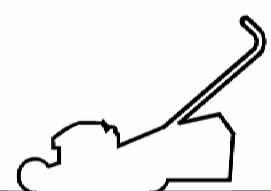
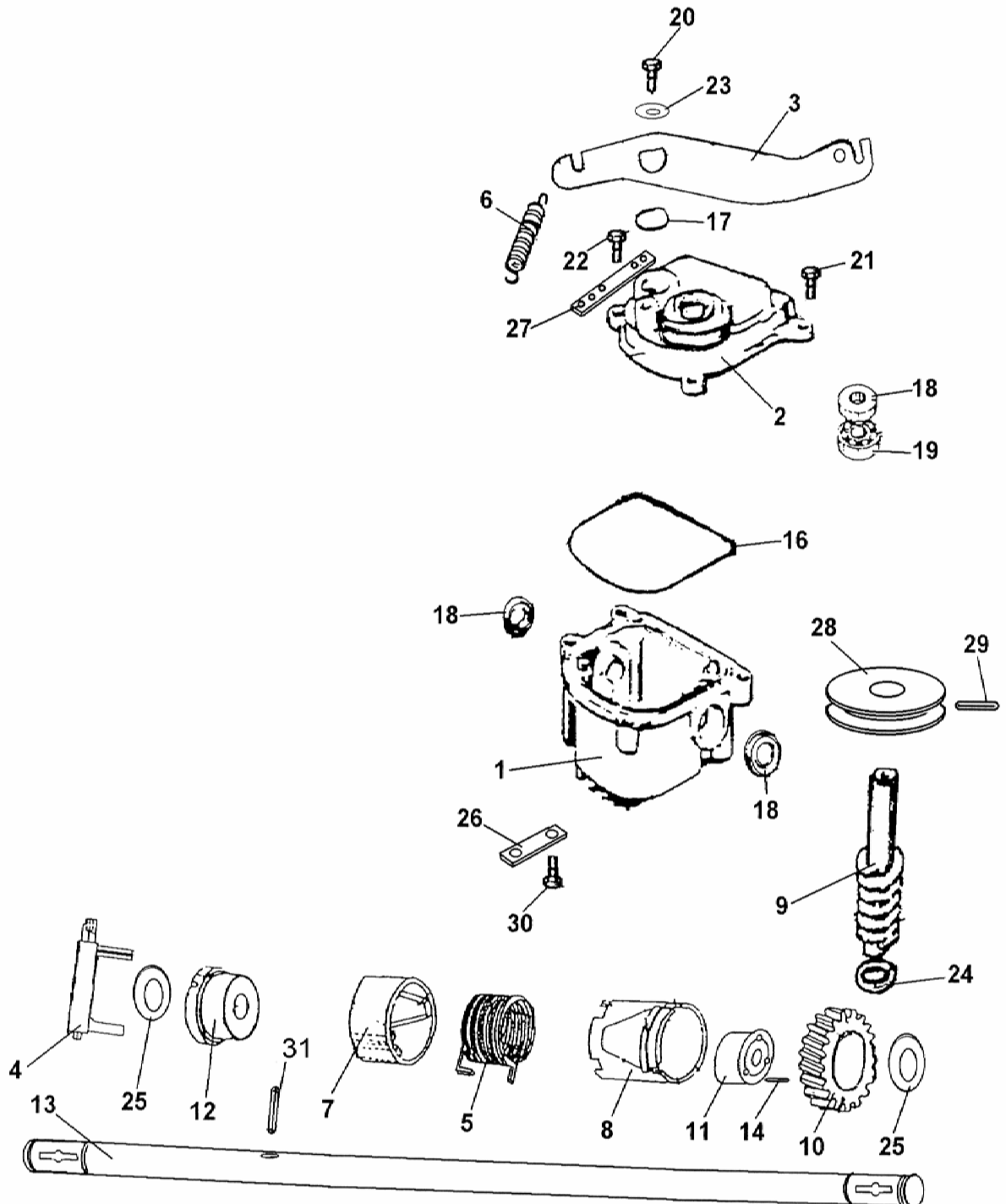
RICAMBI ORIGINALI



POS.	CODICE	I	F	D	GB	E	GT	GX
1	AS006050	LEVA	LEVIER	STANGE	LEVER	LEVA	1	1
2	CP013680F	MOTORE	MOTEUR	MOTOR	ENGINE	MOTOR	1	1
3	CP019310	BATTERIA	BATTERIE	BATTERIE	BATTERY	BATERIA	1	1
4	CP019320	CABLAGGIO	CÂBLE	KABEL	CABLE	CABLE	1	1
5	CP019525	BLOCCETTO AVVIA	CONTACTEUR	ZÜNDSCHLOß	IGNITION LOCK	BLOQUE	1	1
6	CP024816	VITE AUTOF.	VIS	SCHRAUBE	SCREW	TORNILLO	2	2
7	CP026016	VITE AUTOF.	VIS	SCHRAUBE	SCREW	TORNILLO	19	19
8	CP026322	VITE AUTOF.	VIS	SCHRAUBE	SCREW	TORNILLO	2	2
9	CP030816	VITE TE	VIS	SCHRAUBE	SCREW	TORNILLO	4	4
10	CP030840	VITE TE	VIS	SCHRAUBE	SCREW	TORNILLO	4	4
11	CP030845	VITE TE	VIS	SCHRAUBE	SCREW	TORNILLO	1	1
12	CP030855	VITE TE	VIS	SCHRAUBE	SCREW	TORNILLO	6	6
13	CP030870	VITE TE	VIS	SCHRAUBE	SCREW	TORNILLO	3	3
14	CP032907	RONDELLA	RONDELLE	SCHIBE	WASHER	ARANDELA	11	11
15	CP032908	RONDELLA	RONDELLE	SCHIBE	WASHER	ARANDELA	6	6
16	CP032909	RONDELLA	RONDELLE	SCHIBE	WASHER	ARANDELA	8	8
17	CP032910	RONDELLA	RONDELLE	SCHIBE	WASHER	ARANDELA	7	7
18	CP032911	RONDELLA	RONDELLE	SCHIBE	WASHER	ARANDELA	1	1
19	CP032913	RONDELLA	RONDELLE	SCHIBE	WASHER	ARANDELA	1	1
20	CP035905	RASAMENTO	RONDELLE	SCHIBE	WASHER	ARANDELA	2	2
21	CP037206	CHIAVETTA	CLAVETTE	SCHLÜSSELCHEN	WOODRUFF KEY	CHAVETA	1	1
22	CP037540	CHIAVETTA	CLAVETTE	SCHLÜSSELCHEN	WOODRUFF KEY	CHAVETA	3	3
23	CP037623	CLIPS	CLIP	KLIPP	CLIP	CLIP	1	1
24	CP037624	FORCELLA	FOURCHETTE	GABEL	FORK	HORQUILLA	1	1
25	CP038030	CUSCINETTO	ROULEMENT	KUGELLAGER	BALL BEARING	COJINETE	1	1
26	CP038975	CUSCINETTO	ROULEMENT	KUGELLAGER	BALL BEARING	COJINETE	2	2
27	CP040640	VITE TTQST	VIS	SCHRAUBE	SCREW	TORNILLO	1	1
28	CP040850	VITE TTQST	VIS	SCHRAUBE	SCREW	TORNILLO	1	1
29	CP042216	BLOCCETTO CAVO	ATTACHE CABLE FRE	KABELBESCHWERER	CLIP	FIJADOR CABLE	1	1
30	CP042806	DADO	ÉCROU	MUTTER	KNOB	ESPARRAGO	3	3
31	CP042808	DADO	ÉCROU	MUTTER	KNOB	ESPARRAGO	1	1
32	CP042812	DADO	ÉCROU	MUTTER	KNOB	ESPARRAGO	2	2
33	CP044708	DADO	ÉCROU	MUTTER	KNOB	ESPARRAGO	14	14
34	CP044713	DADO	ÉCROU	MUTTER	KNOB	ESPARRAGO	1	1
35	CP044706	DADO	ÉCROU	MUTTER	KNOB	ESPARRAGO	1	1
36	CP044906	DADO	ÉCROU	MUTTER	KNOB	ESPARRAGO	1	1
37	CP044907	DADO	ÉCROU	MUTTER	KNOB	ESPARRAGO	4	4
38	CP044910	DADO	ÉCROU	MUTTER	KNOB	ESPARRAGO	1	1
39	CP045720	TAPPO	COUVERCLE	KAPPE	CAP	TAPA	1	1
40	CP045732	TAPPO	COUVERCLE	KAPPE	CAP	TAPA	2	2
41	CP045810	GRANO	VIS	SCHRAUBE	SCREW	TORNILLO	1	1
42	CP045918	MOLLA A TAZZA	RONDELLE	SCHIBE	WASHER	MUELLE	1	1
43	CP046606	RITEGNO	CLIP	RÜCKHALT	RETAINER	ANILLO CLIP	1	1
44	CP046612	RITEGNO	CLIP	RÜCKHALT	RETAINER	ANILLO CLIP	1	1
45	CP046730	SEEGER	SEEGER	RÜCKHALT	RETAINER	ANILLO CLIP	1	1
46	CP046810	SEEGER	SEEGER	RÜCKHALT	RETAINER	ANILLO CLIP	1	1
47	CP046819	SEEGER	SEEGER	RÜCKHALT	RETAINER	ANILLO CLIP	2	2
48	CP047220	COPRIACCELERATOR	BOITE	GETRIEBE	GEAR BOX	CAJA	1	1
49	CP047236	CAPPUCCIO	CACHE MOYEU	KAPPE	HOOD	POMO	1	1
50	CP047250	COMANDO ACCELER	LEVIER	STANGE	THROTTLE LEVER	LEVA	1	1
51	CP047836	CINGHIA SPZX 900	COURROIE	RIEMEN	BELT	CORREA	1	1
52	CP049812	CATENA	CHAÎNE	KETTE	CHAIN	CADENA	1	1
53	CP050260	RONDELLA	RONDELLE	SCHIBE	WASHER	ARANDELA	1	1
54	CP050262	PULEGGIA MOTORE 2	POULIE	RIEMENSCHIBE	PULLEY	POLEA	1	1
55	CP050613	VITE	VIS	SCHRAUBE	SCREW	TORNILLO	1	1
56	CP050964	VITE LAMA	VIS	SCHRAUBE	SCREW	TORNILLO	1	1
57	CP053713	DECALCO	DECALQUE	ETIKETTE	DECAL	CARTEL	1	1
58	CP053715	DECALCO	DECALQUE	ETIKETTE	DECAL	CARTEL	1	1
59	CP053764	DECALCO	DECALQUE	ETIKETTE	DECAL	CARTEL	1	1
60	CP053765	DECALCO	DECALQUE	ETIKETTE	DECAL	CARTEL	1	1
61	CP053766	DECALCO	DECALQUE	ETIKETTE	DECAL	CARTEL	1	1
62	CP053767	DECALCO	DECALQUE	ETIKETTE	DECAL	CARTEL	1	1
63	CP053768	DECALCO	DECALQUE	ETIKETTE	DECAL	CARTEL	1	1
64	CP053803	DECALCO	DECALQUE	ETIKETTE	DECAL	CARTEL	1	1
65	CP053804	DECALCO	DECALQUE	ETIKETTE	DECAL	CARTEL	1	1
66	CP053810	DECALCO	DECALQUE	ETIKETTE	DECAL	CARTEL	1	1
67	CP053864	DECALCO	DECALQUE	ETIKETTE	DECAL	CARTEL	3	3
68	CP053871	DECALCO	DECALQUE	ETIKETTE	DECAL	CARTEL	2	2
69	CP058001	CHASSIS	CARTER	GEHÄUSE	DECK	CHASIS	1	1
70	CP058013	LAMA	LAME	MESSER	BLADE	CUCHILLA	1	1
71	CP058030	SEDILE	SIÈGE	SITZES	SEAT	SILLÍN	1	1
72	CP058033	TELAIO	ATTELAGE	RAHMEN	FRAME	ARMAZON	1	1
73	CP058038	FORCELLA RUOTA	FOURCHETTE ROUE	RADGABEL	FORK WHEEL	HORQUILLA	1	1
74	CP058043	MANUBRIO	VOLANT	LENKRAD	STEERING WHEEL	MANILLAR	1	1
75	CP058063	TIRANTE	BARRE	GESTÄNGE	LINK	TIRANTE	1	1

POS.	CODICE	I	F	D	GB	E	GT	GX
76	CP058078	TELAIO CESTO	ATTELAGE	GRASFANGRAHMEN	FRAME	ARMAZON SACO	1	1
77	CP058083	TELA CESTO BIANCA	SAC RAMASSEUR	GRASFANGSACK	GRASS BAG	SACO TELA	opzion.	opzion.
77	CP058083.05	TELA CESTO NERA	SAC RAMASSEUR	GRASFANGSACK	GRASS BAG	SACO TELA	1	1
78	CP058086	DIFFERENZIALE	DIFFÉRENTIEL	DIFFERENTIALGETRIE	DIFFERENTIAL	DIFERENCIAL	1	1
79	CP058090	CAMBIO A 3 VELOCITÀ	REDUCTEUR	UNTERSETZUNGGETRIE	GEAR BOX 3 SPEED	TRANSMISION	1	1
80	CP058093	PEDANA	CARTER	SCHUTZ	METAL SHIELD	PROTECCION	1	1
81	CP058098	PROTEZIONE	CARTER	SCHUTZ	METAL SHIELD	PROTECCION	1	1
82	CP058103.07	PROTEZIONE GRIGIA	CARTER RAL 7035	SCHUTZ RAL 7035	PLASTIC SHIELD	PROTECCION		1
83	CP058103.0701	PROTEZIONE GRIGIA	CARTER RAL 7035	SCHUTZ RAL 7035	PLASTIC SHIELD	PROTECCION		1
84	CP058103.0702	PROTEZIONE GRIGIA	CARTER RAL 7035	SCHUTZ RAL 7035	PLASTIC SHIELD	PROTECCION		1
85	CP058103.0703	PROTEZIONE GRIGIA	CARTER RAL 7035	SCHUTZ RAL 7035	PLASTIC SHIELD	PROTECCION		1
82	CP058103.13	PROTEZIONE GIALLA	CARTER RAL 1021	SCHUTZ RAL 1021	PLASTIC SHIELD	PROTECCION	1	
83	CP058103.1301	PROTEZIONE GIALLA	CARTER RAL 1021	SCHUTZ RAL 1021	PLASTIC SHIELD	PROTECCION	1	
84	CP058103.1302	PROTEZIONE GIALLA	CARTER RAL 1021	SCHUTZ RAL 1021	PLASTIC SHIELD	PROTECCION	1	
85	CP058103.1303	PROTEZIONE GIALLA	CARTER RAL 1021	SCHUTZ RAL 1021	PLASTIC SHIELD	PROTECCION	1	
86	CP058106	RUOTA ANTERIORE	ROUE	RAD	WHEEL	RUEDA	1	1
87	CP058106.0001	CERCHIO RUOTA ANTERIORE	JANTE DE LA ROUE	RADFELGE	WHEEL CIRCLE	ARO RUEDA	1	1
88	CP058226	BOCCOLA	BOUCLE	BÜCHSE	BUSH	COJINETE	2	2
89	CP058227	CUSCINETTO	ROULEMENT	KUGELLAGER	BALL BEARING	COJINETE	1	1
90	CP058116	RUOTA POSTERIORE	ROUE	RAD	WHEEL	RUEDA	2	2
91	CP058116.0001	CERCHIO RUOTA POSTERIORE	JANTE DE LA ROUE	FELGE	WHEEL CIRCLE	ARO RUEDA	2	2
92	CP058116.0002	CAMERA D'ARIA	ROUE INTÉRIEUR	SCHLAUCH	INSIDE WHEEL	RUEDA INTERIOR	3	3
93	CP058116.0003	COPERTURA	ROUE EXTÉRIEUR	REIFEN	OUTSIDE WHEEL	RUEDA EXTERIOR	3	3
94	CP058142	CAVO ACCELERATORE	MANETTE GAZ	BESCHLEUNIGER	THROTTLE CABLE	ACELERADOR	1	1
95	CP058146	CAVO FRENO RUOTE ANTERIORI	CABLE FREIN ROUE	KABEL	CABLE	CABLE	1	1
96	CP058148	CAVO FRENO MOTORI	CABLE FREIN MOTEUR	KABEL	CABLE	CABLE	1	1
97	CP058192	MOLLA	RESSORT	FEDER	SPRING	MUELLE	1	1
98	CP058198	CORONA DENTATA	PIGNON	GETRIEBE	PINION	ENGRANAJE	1	1
99	CP058212	MANOPOLA	MOUFLE	GRIFF	MITTEN	MANOPLA	2	2
100	CP058215	SUPPORTO PEDALE	SUPPORT	LAGERBOCK - PEDAL	SUPPORT	SOPORTE	1	1
101	CP058222	ELASTICO	ÉLASTIQUE	GUMMIRING	ELASTIC RING	GOMA	1	1
102	CP058224	FASCETTA	ATTACHE CABLE	KABELBESCHWERER	CLIP	FIJADOR CABLE	3	3
103	CP058225	BOCCOLA	BOUCLE	BÜCHSE	BUSH	COJINETE	2	2
104	CP058242	LEVA FRENO	LEVIER FREIN	STANGE	LEVER	LEVA	1	1
105	CP058244	PADALE	PÉDALE	PEDAL	PEDAL	PEDAL	1	1
106	CP058246	LEVA MARCE	LEVIER	STANGE	LEVER	LEVA	1	1
107	CP058247	LEVA GALOPPINO	LEVIER	STANGE	LEVER	LEVA	1	1
108	CP058250	PROTEZIONE	CARTER	SCHUTZ	METAL SHIELD	PROTECCION	1	1
109	CP058252	PIASTRA POSTERIORE	CARTER	SCHUTZ	METAL SHIELD	PLANCHA	1	1
110	CP058254	TUBO DI SCARICO	TUYAU DE DÉCHARGEMENT	AUSPUFFROHR	DRAIN PIPE	TUBO DE ESCAPE	1	1
111	CP058256	PERNO	PIVOT	ZAPFEN	PIN	PERNO	1	1
112	CP058257	DISTANZIALE	BOUCLE	BÜCHSE	BUSH	DISTANCIADOR	2	2
113	CP058258	DISTANZIALE	BOUCLE	BÜCHSE	BUSH	DISTANCIADOR	2	2
114	CP058259	BOCCOLA	BOUCLE	BÜCHSE	BUSH	DISTANCIADOR	3	3
115	CP058260	PULEGGIA TENDICINGHIO	POULIE	RIEMENSCHLEIBE	PULLEY	POLEA	1	1
116	CP058262	PULEGGIA CAMBIO	POULIE	RIEMENSCHLEIBE	PULLEY	POLEA	1	1
117	CP058272	MOZZO LAMA 22 CH	PORTE LAME	MESSERHALTER	BLADE ADAPTOR	PORTA CUCHILLA	1	1
118	CP060640	VITE TC	VIS	SCHRAUBE	SCREW	TORNILLO	2	2
119	CP061140	VITE	VIS	SCHRAUBE	SCREW	TORNILLO	1	1
120	YMP786049	PIGNONE	PIGNON	GETRIEBE	PINION	ENGRANAJE	1	1

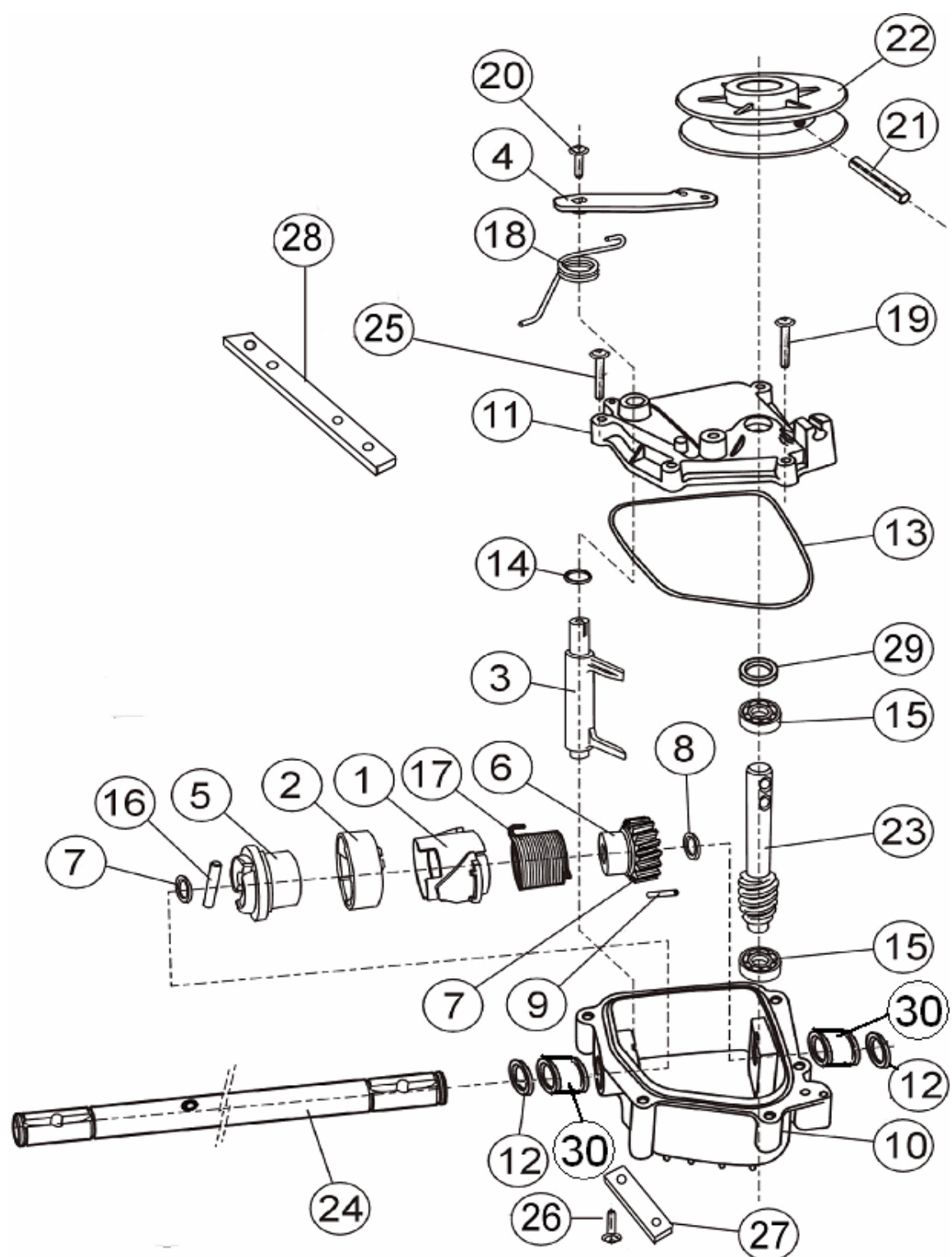
TR 45-47-50-51-53-56-57-Biomulch



TRASMISSIONI COMPLETE

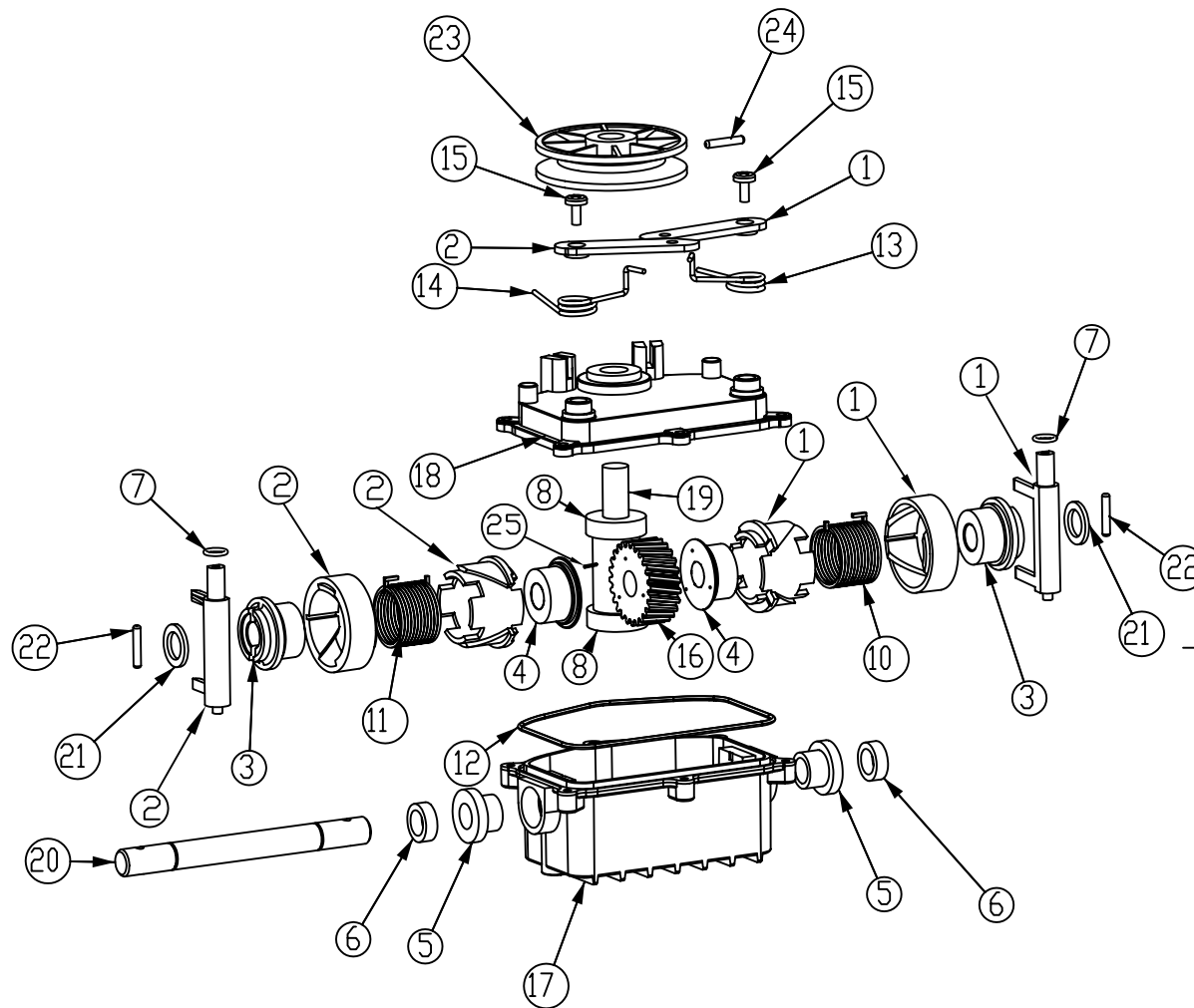
CODICE	DESCRIZIONE
CP045088	TRASMISSIONE TR 45
CP047088	TRASMISSIONE TR 47
CP050088	TRASMISSIONE TR 50
CP051088	TRASMISSIONE TR 51
CP051089	TRASMISSIONE TB 51 BIOMULCH
CP056088	TRASMISSIONE TR 56
CP057088	TRASMISSIONE TR 57

Pos.	Codice	Descrizione	45 S	46 S - 47 S	50 S	51 S	BIOMULCH	52 S - 53 S	56 SVV	57 S
			TR 45	TR 47	TR 50	TR 51	TB 51	TR 53	TR 56	TR 57
1	CP070175	ANELLO PONTE	1	1	1	1	1	1	1	1
2	CP070165	ANELLO COMANDO	1	1	1	1	1	1	1	1
3	CP070145	FORCELLA	1	1	1	1	1	1	1	1
4	CP070126	LEVA TRAINO	1	1	1	1	1	1	1	1
5	CP070205	GIUNTO	1	1	1	1	1	1	1	1
6	CP070200	BOCCOLA c/3 fori	1	1	1	1	1	1	1	1
7	CP070192	INGRANAGGIO BRONZO	1	1	1	1	1	1	1	1
8	CP070362	RONDELLA RAS.	2	2	2	2	2	2	2	2
9	CP070305	SPINA 3x10	3	3	3	3	3	3	3	3
10	CP070105	SCATOLA	1	1	1	1	1	1	1	1
11	CP070115	COPERCHIO	1	1	1	1	1	1	1	1
12	CP070332	PARAOILIO 12x19x5 SCATOLA	2	2	2	2	2	2	2	2
13	CP070320	OR SCATOLA SAGOMATO	1	1	1	1	1	1	1	1
14	CP070325	OR FORCELLA (2031)	1	1	1	1	1	1	1	1
15	CP070340	CUSCINETTO 6001	1	1	1	1	1	1	1	1
16	CP070310	SPINA SPIROL 4X24	1	1	1	1	1	1	1	1
17	CP070153	MOLLA INTERNA	1	1	1	1	1	1	1	1
18	CP070158	MOLLA TORSIONE	1	1	1	1	1	1	1	1
19	CP070345	VITE 4X15 TRILOBATE	4	2	2	2	2	2	2	2
20	CP070343	VITE TAPTITE 4X10 Torx	1	1	1	1	1	1	1	1
21	CP045530	SPINA ELASTICA 5X30	1	1	1	1	1	1	1	1
22	CP050240	PILEGGIA 55	1	1			1			
22	CP050241	PILEGGIA 60			1(FORO BASSO)	1(FORO ALTO)	1		1(FORO ALTO)	1
23	CP070180	VITE S/FINE L=90 1 FORO	1	1			1			1
23	CP070185	VITE S/FINE L=103 2 FORI			1	1			1	
23	CP070188	VITE S/FINE L=111					1			
24	CP070210	ALBERO TRASMISSIONE L=441,5	1							
24	CP070220	ALBERO TRASMISSIONE L=450,5		1						
24	CP070248	ALBERO TRASMISSIONE L=483,5				1	1			
24	CP070250	ALBERO TRASMISSIONE L=483,5					1			
24	CP070280	ALBERO TRASMISSIONE L=505,5			1				1	1
25	CP070348	VITE 4X18 TRILOBATE		2	2	2	2	2	2	2
26	CP026316	VITE AUTOF.	1							
27	CP070451	PIASTRINA TR 45	1							
28	CP070450	PIASTRINA		1		1	1	1		
28	CP070452	PIASTRINA H=13			1				1	
28	CP070453	PIASTRINA H=10								1
29	CP070330	PARAOILIO 12x19x5 COPERCHIO	1	1	1	1	1	1	1	1
30	CP070318	BOCCOLA	2	2	2	2	2	2	2	2

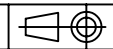


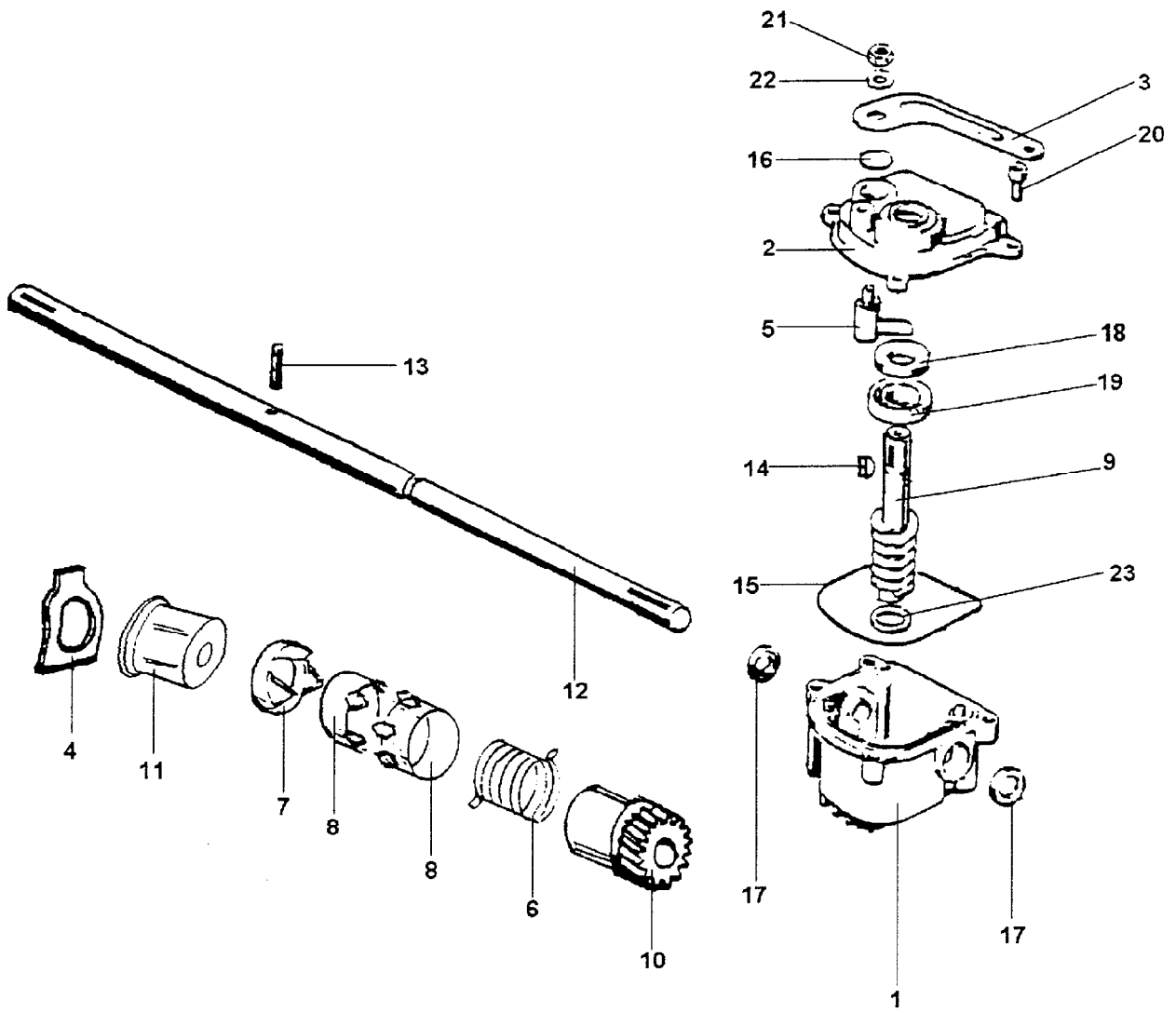


Pos.	Codice	Descrizione	Q.tà
1	BC9622316	FALCIATRICE TANDEM DX	1
2	BC9622318	FALCIATRICE TANDEM SX	1
3	CP070205	GIUNTO	2
4	CP070200	BOCCOLA 3Fori	2
5	CP070318	BOCCOLA NYLON X SCAT.ALLUM.	2
6	CP070330	PARAOLIO 12x19x5	3
7	CP070325	OR FORCELLA (2031)	2
8	CP070340	CUSCINETTO 6001	2
9	CP070348	VITE 4X18 X COPERCHIO	6
10	CP070153	MOLLA INT. ANTIORARIA DX	1
11	CP070152	MOLLA INT. ORARIA SX	1
12	BC9622376	OR SCATOLA 2387	1
13	BC9622377	MOLLA EST. X LEVA DX	1
14	BC9622378	MOLLA EST. X LEVA SX	1
15	CP070343	VITE 4X10 X LEVA	2
16	BC9622493	INGRA. ANTIORARIO BRONZO	1
17	BC9790001	SCATOLA MONOTANTEM	1
18	BC9790002	COPERCHIO MONOTANDEM	1
19	BC9920106	VITE SENZA FINE	1
20	BC9836000	ALBERO	1
21	BC9622425	RONDELLA 2,5	2
22	CP070310	SPINA 4X24	2
23	CP050241	PULEGGIA D60	1
24	CP045530	SPINA 5X30	1
25	CP070305	SPINA 3X12	6

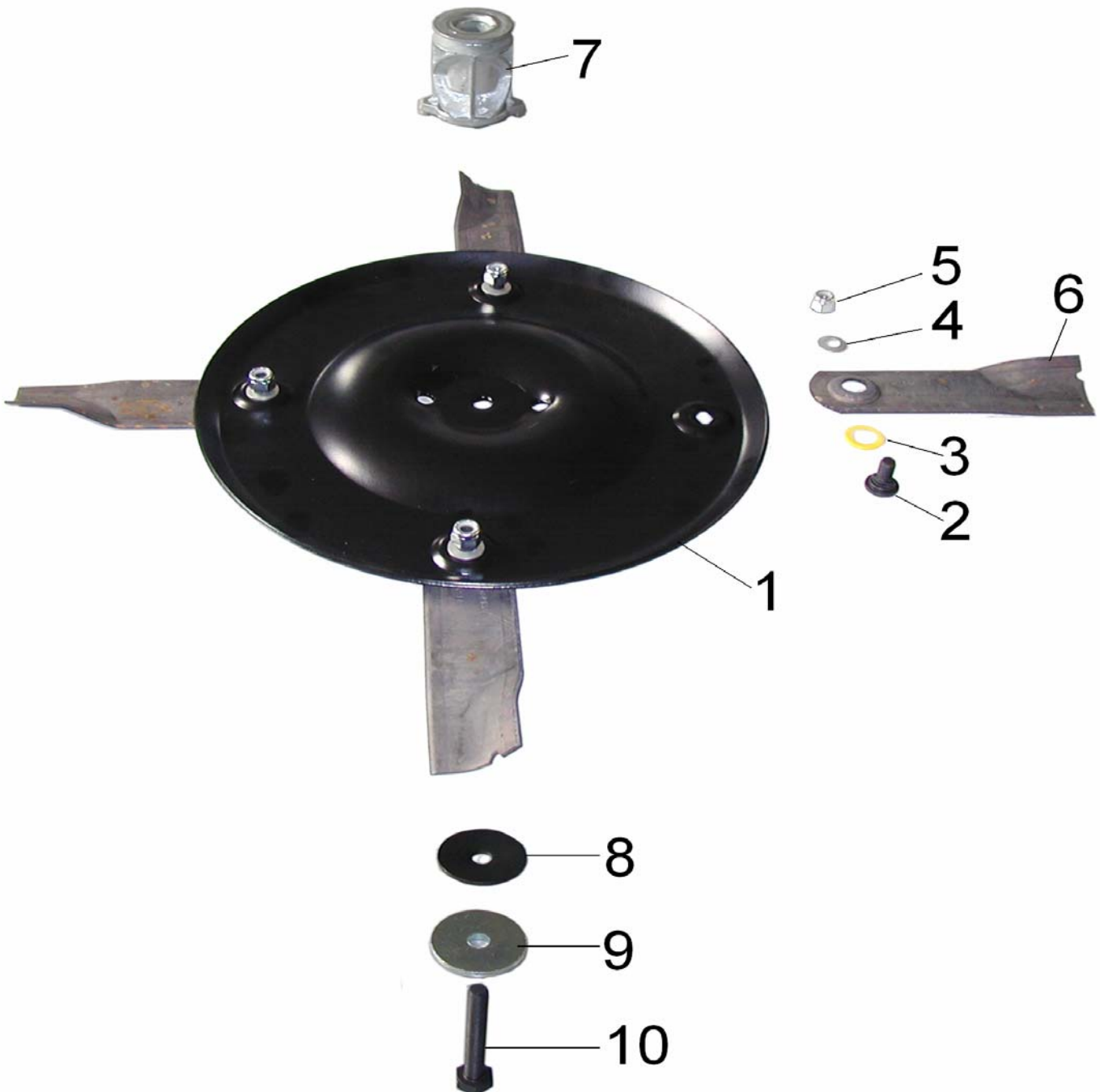


Data: 15.10.2004	Scala: 1:1
Descrizione: TRASMISSIONE PROFESSIONALE MOD. 56 - 57	
N° Dis.: CP057089 - CP056089	Rev:
MARINA SYSTEMS SRL	





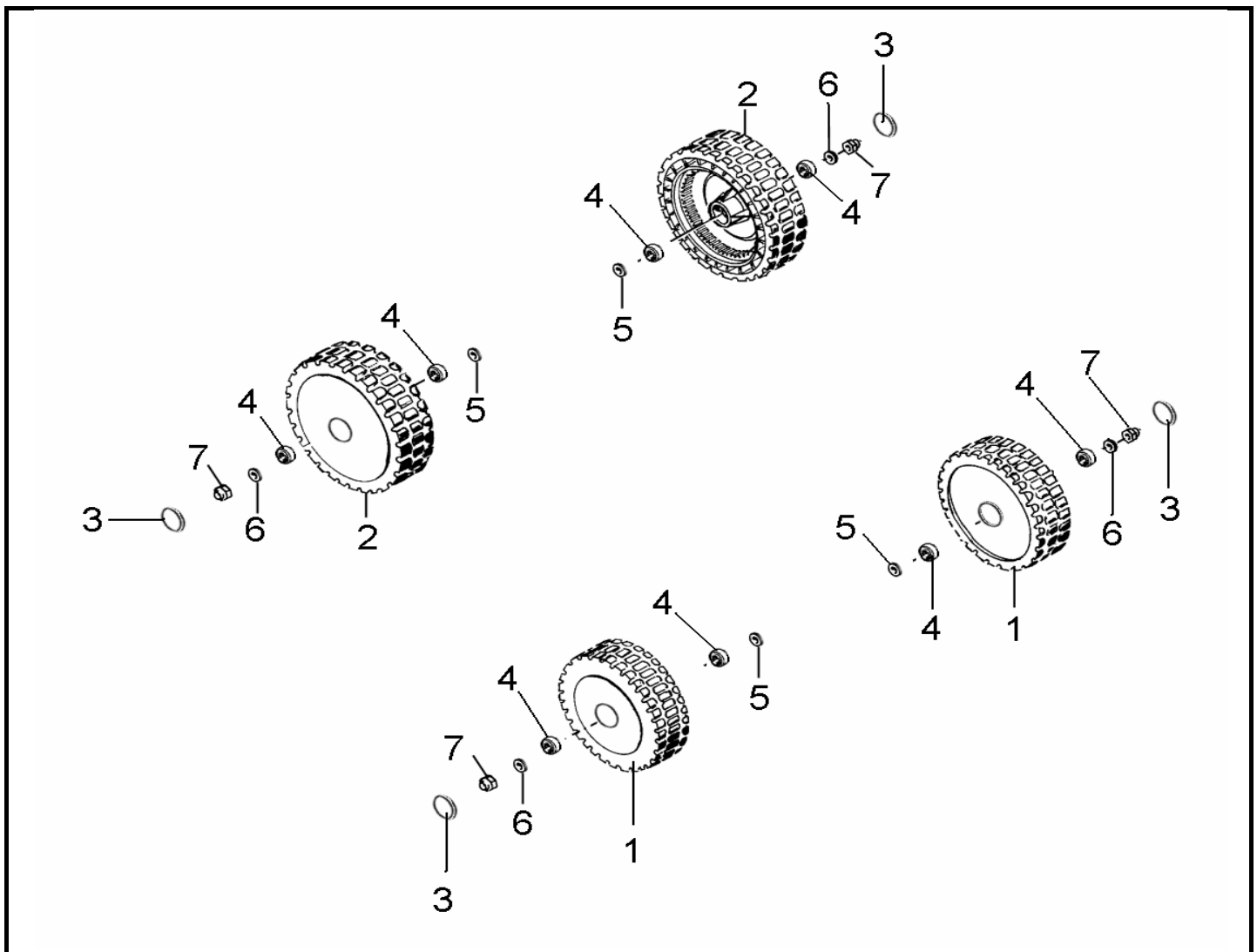
POS.	CODICE	I	F	D	GB	E	Q.TA'
1	CP046270	DISCO PARTALAME	DISQUE	SCHEIBE	DISK	DISCO	1
2	CP046256	VITE	VIS	SCHRAUBE	SCREW	TORNILLO	4
3	CP046230	RONDELLA NYLON	RONDELLE	SCHEIBE	WASHER	ARANDELA	4
4	CP045909	MOLLA A TAZZA	RONDELLE	SCHEIBE	WASHER	MUELLE	4
5	CP044909	DADO AUTOBLOCCAN	ÉCROU	MUTTER	HEX NUT	ESPARRAGO	4
6	CP046413	LAMA 46 STANDARD	LAME 46 STANDARD	MESSER 46 STANDAR	BLADE 46 STANDARD	CUCHILLA 46 STANDA	4 - MOD.46-47
6	CP046414	LAMA 46 HI-LIFT	LAME 46 HI-LIFT	MESSER 46 HI-LIFT	BLADE 46 HI-LIFT	CUCHILLA 46 HI-LIFT	4 - MOD.46-47
6	CP052413	LAMA 52 STANDARD	LAME 52 STANDARD	MESSER 52 STANDAR	BLADE 52 STANDARD	CUCHILLA 52 STANDA	4 - MOD.52-53
6	CP057413	LAMA 57 STANDARD	LAME 57 STANDARD	MESSER 57 STANDAR	BLADE 57 STANDARD	CUCHILLA 57 STANDA	4 - MOD.57
7	CP053274A	MOZZO CON PULEGG	PORTE LAME + POULI	MESSERHALTER	BLADE ADAPTOR+PUL	PORTA CUCHILLA+PO	1
8	CP045911	MOLLA A TAZZA	RONDELLE	SCHEIBE	WASHER	MUELLE	1
9	CP053250	RONDELLA	RONDELLE	SCHEIBE	WASHER	ARANDELA	1
10	CP050965	VITE LAMA 10.9	VIS 10.9	SCHRAUBE 10.9	SCREW 10.9	TORNILLO 10.9	1



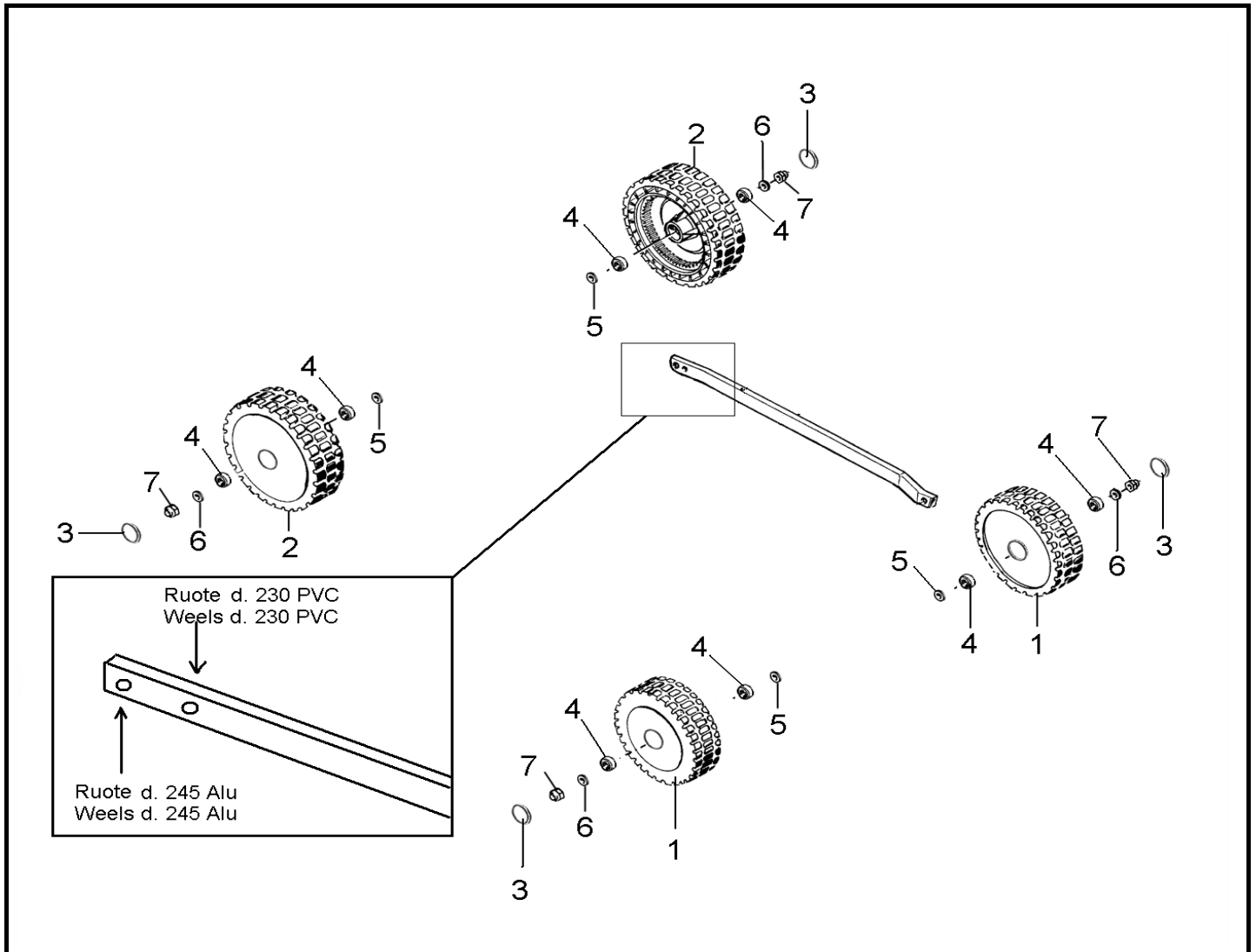
POS.	CODICE	I	F	D	GB	E	Q.TA'
1	CP047113.98	RUOTA 180 ZINCATA	ROUE	RAD	WHEEL	RUEDA	2
2	CP053113.98	RUOTA 208 ZINCATA	ROUE	RAD	WHEEL	RUEDA	2
3	CP047133	COPRIRUOTA	CACHE MOYEU	RADDECKUNG	HUB CAP	TAPA RUEDA	4
4	CP038228	CUSCINETTO	ROULEMENT	KUGELLAGER	BALL BEARING	COJINETE	8
5	CP032913	RONDELLA	RONDELLE	SCHEIBE	WASHER	ARANDELA	4
6	CP032908	RONDELLA	RONDELLE	SCHEIBE	WASHER	ARANDELA	4
7	CP044708	DADO	ÉCROU	MUTTER	KNOB	ESPARRAGO	4

RUOTE ZINCATE SEMOVENTI

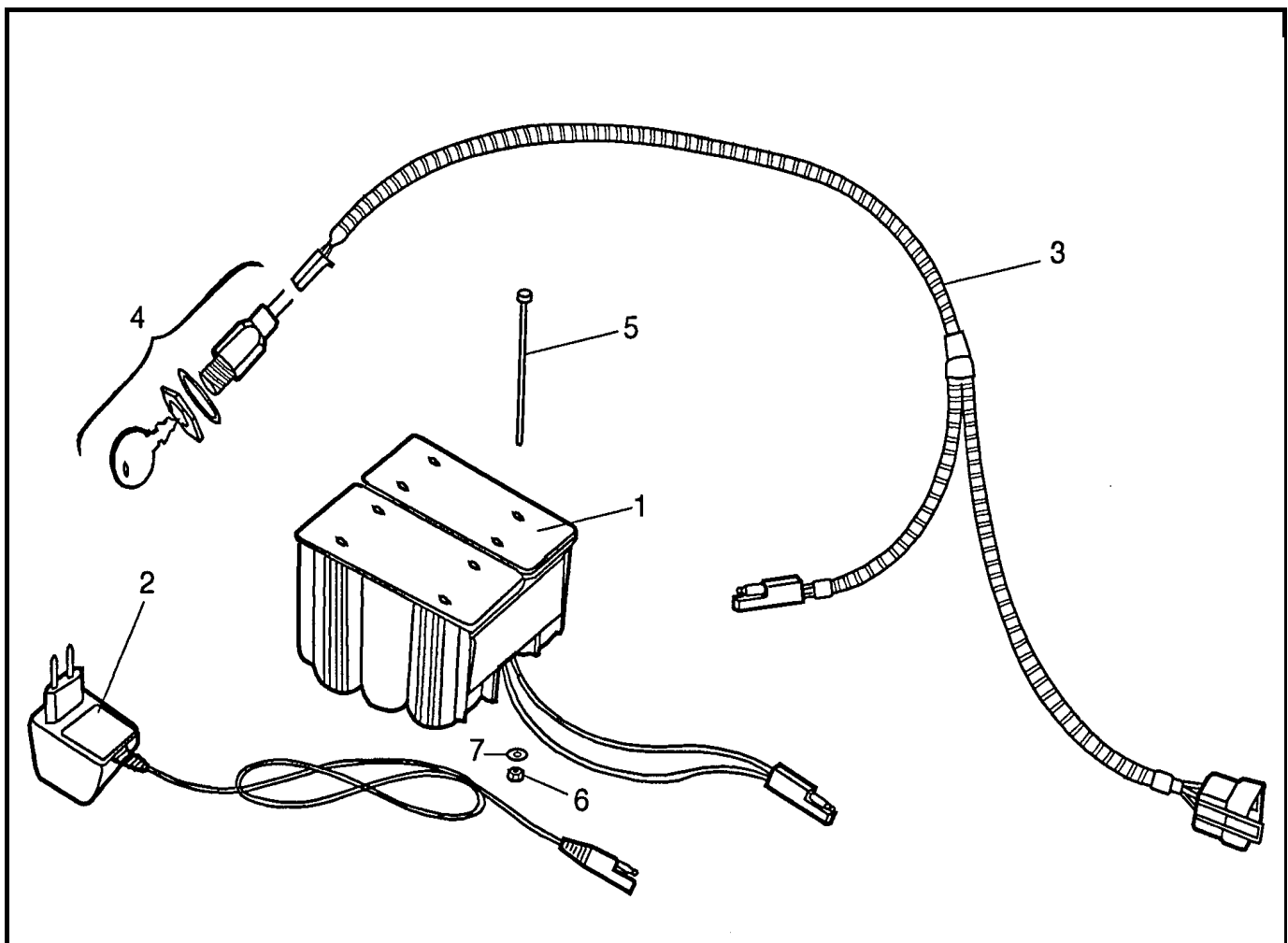
POS.	CODICE	I	F	D	GB	E	Q.TA'
1	CP047113.98	RUOTA 180 ZINCATA	ROUE	RAD	WHEEL	RUEDA	2
2	CP053123.98	RUOTA 208T ZINCATA	ROUE	RAD	WHEEL	RUEDA	2
3	CP047133	COPRIRUOTA	CACHE MOYEU	RADDECKUNG	HUB CAP	TAPA RUEDA	4
4	CP038228	CUSCINETTO	ROULEMENT	KUGELLAGER	BALL BEARING	COJINETE	8
5	CP032913	RONDELLA	RONDELLE	SCHEIBE	WASHER	ARANDELA	4
6	CP032908	RONDELLA	RONDELLE	SCHEIBE	WASHER	ARANDELA	4
7	CP044708	DADO	ÉCROU	MUTTER	KNOB	ESPARRAGO	4



POS.	CODICE	I	F	D	GB	E	Q.TA'
1	CP056113	RUOTA 180	ROUE	RAD	WHEEL	RUEDA	2
2	CP056123	RUOTA 245	ROUE	RAD	WHEEL	RUEDA	2
3	CP056133	COPRIRUOTA	CACHE MOYEU	RADDECKUNG	HUB CAP	TAPA RUEDA	4
4	CP038228	CUSCINETTO	ROULEMENT	KUGELLAGER	BALL BEARING	COJINETE	8
5	CP032913	RONDELLA	RONDELLE	SCHEIBE	WASHER	ARANDELA	4
6	CP032908	RONDELLA	RONDELLE	SCHEIBE	WASHER	ARANDELA	4
7	CP044708	DADO	ÉCROU	MUTTER	KNOB	ESPARRAGO	4

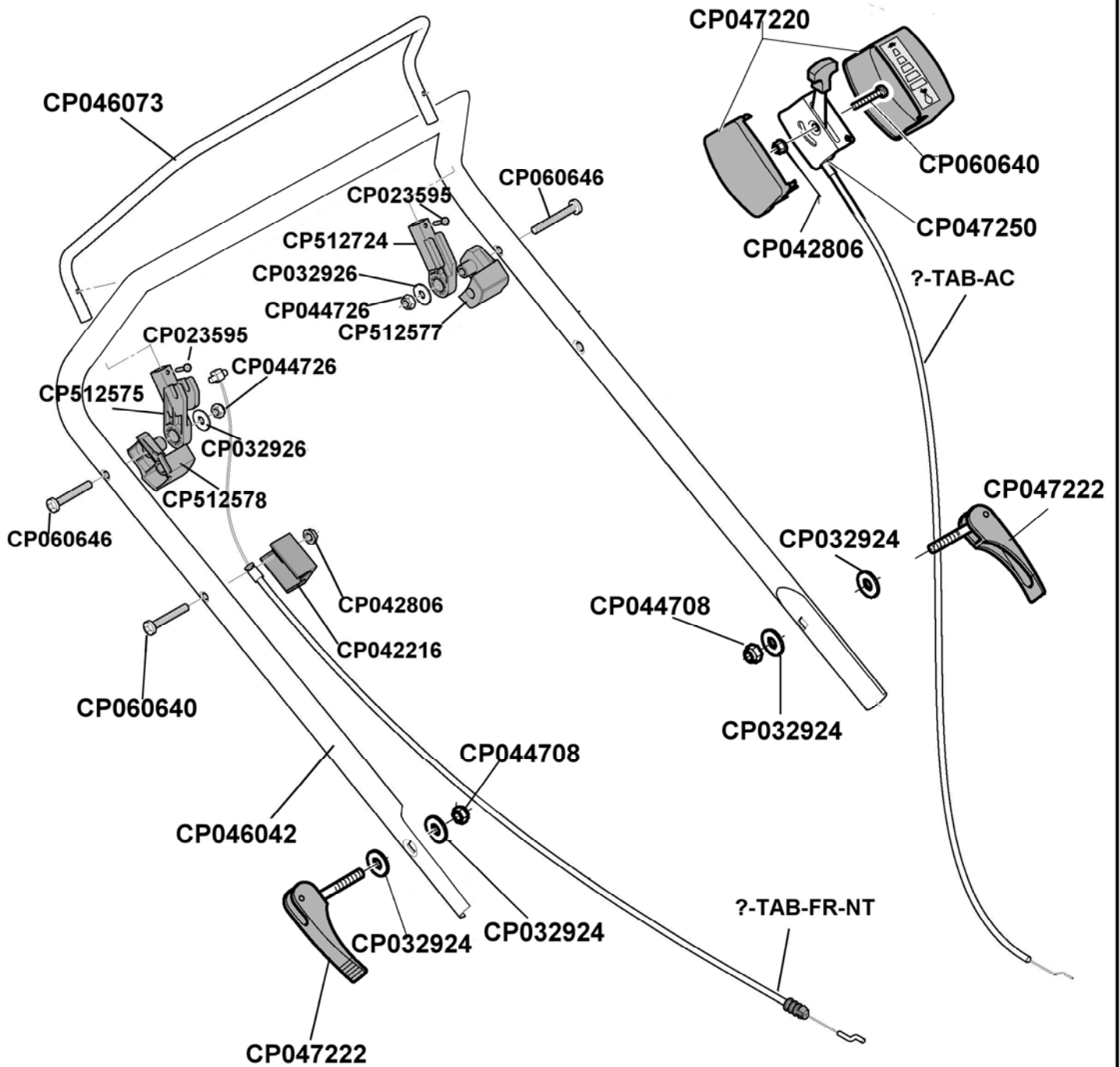


POS.	CODICE	I	F	D	GB	E	Q.TA'
1	CP019510	BATTERIA	ACCUMULATEUR	ACCU	BATTERY	ACUMULADOR	1
2	CP019515	CARICABATTERIA	CHARGEUR	AKKU-LADEGERÄT	CHARGER	CARGADOR	1
3	CP019520	CAVO ELETTRICO	CABLE	KABEL	CABLE	CABLE	1
4	CP019525	BLOCCHETTO AVVIAM	CONTACTEUR	ZÜNDSCHLOß	IGNITION LOCK	BLOQUE	1
5	CP030490	VITE TE	VIS	SCHRAUBE	SCREW	TORNILLO	2
6	CP044904	DADO	ÉCROU	MUTTER	KNOB	ESPARRAGO	2
7	CP032904	RONDELLA	RONDELLE	SCHEIBE	WASHER	ARANDELA	2



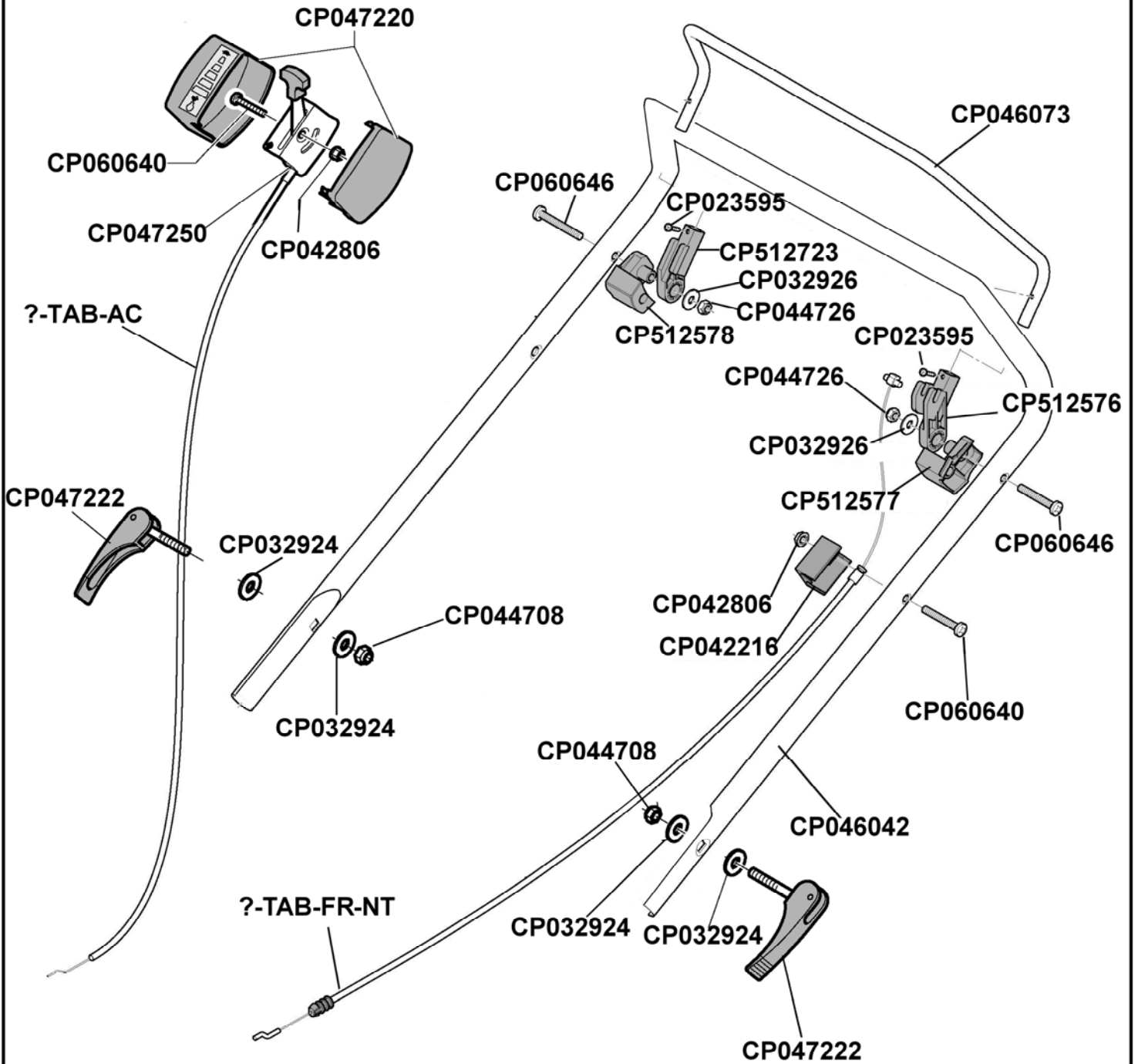
HONDA

(SPINTA)



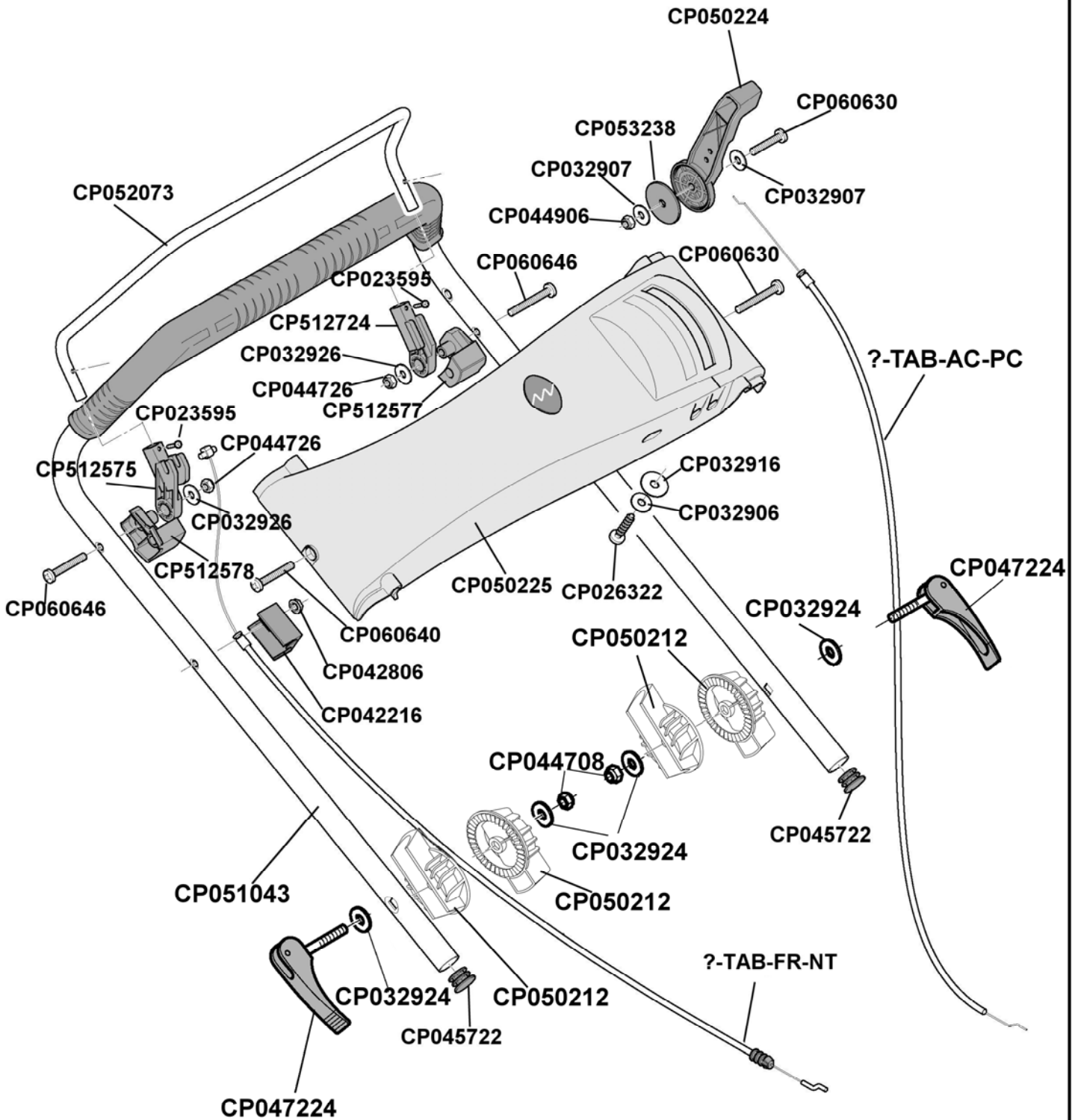
B & S

(SPINTA)



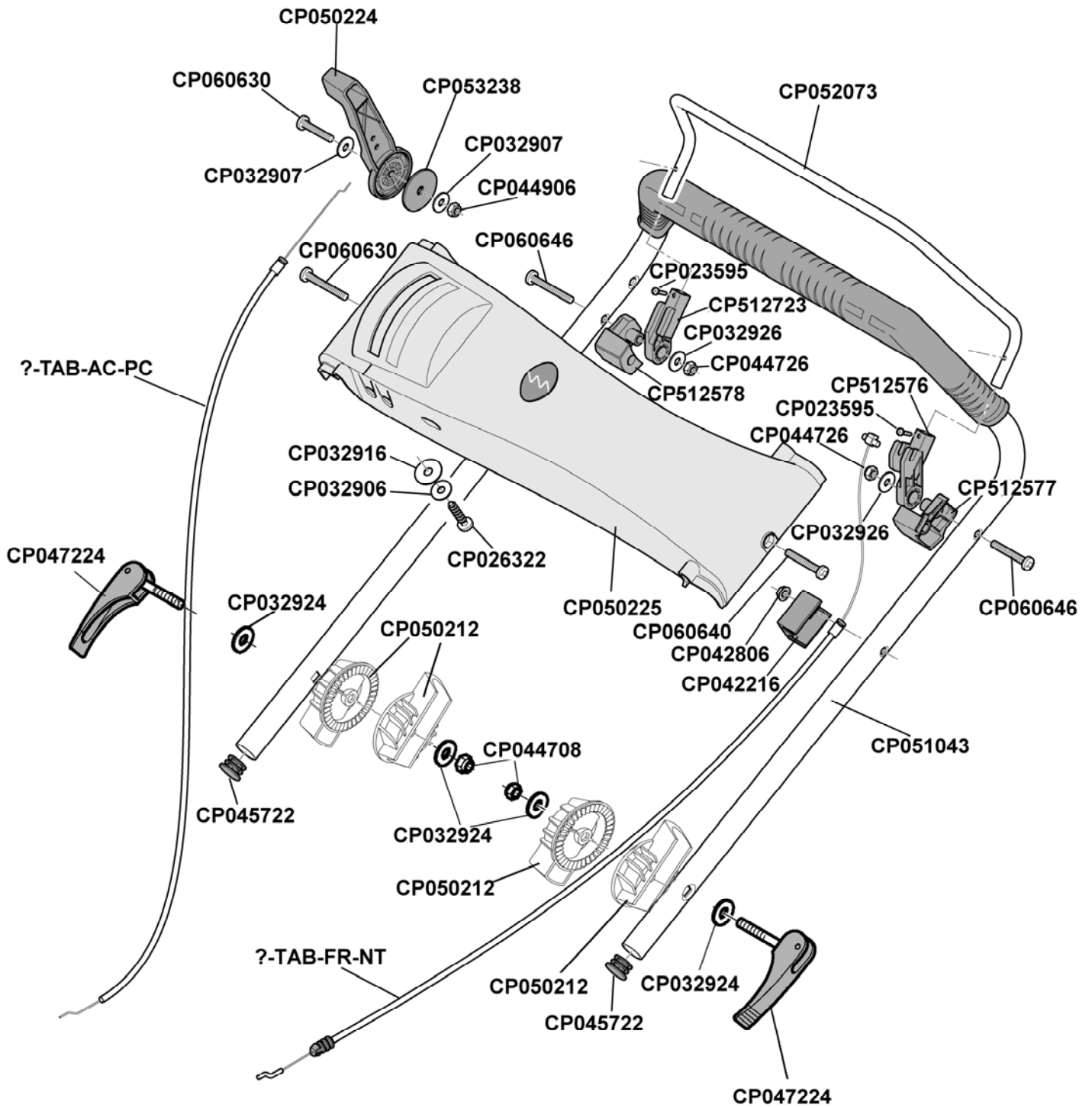
HONDA

(SPINTA)



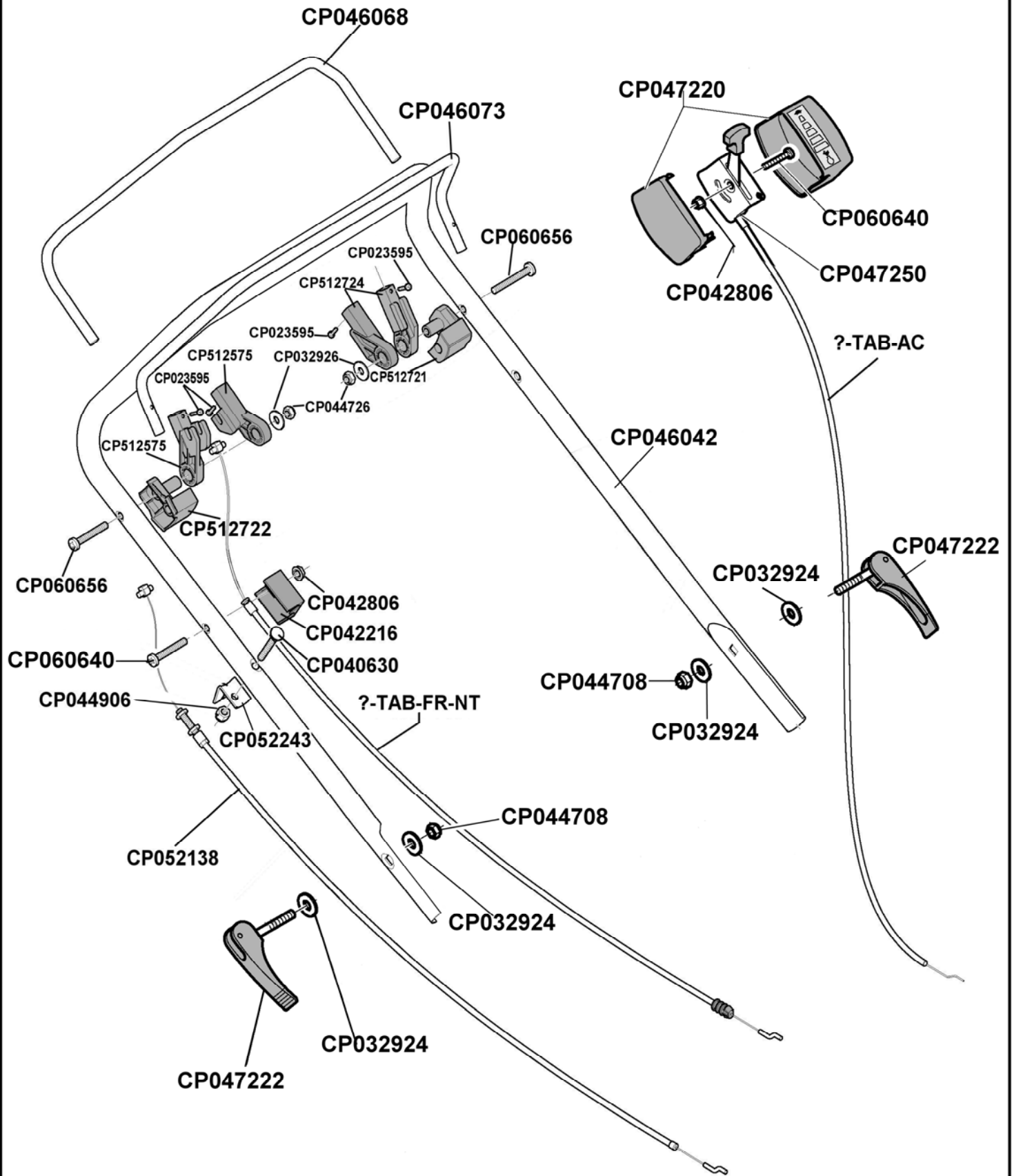
B & S

(SPINTA)



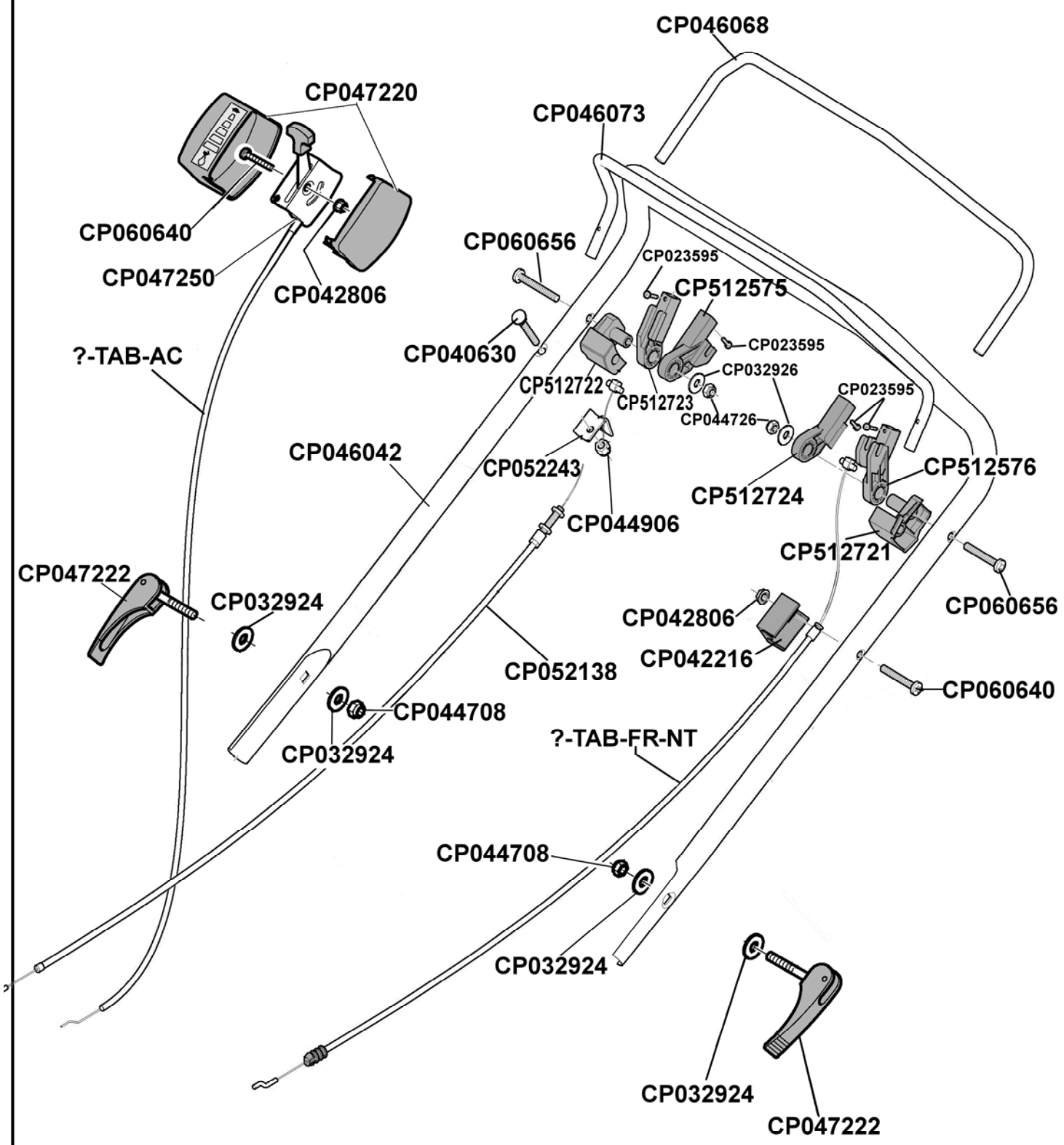
HONDA

(SEMOVENTE)



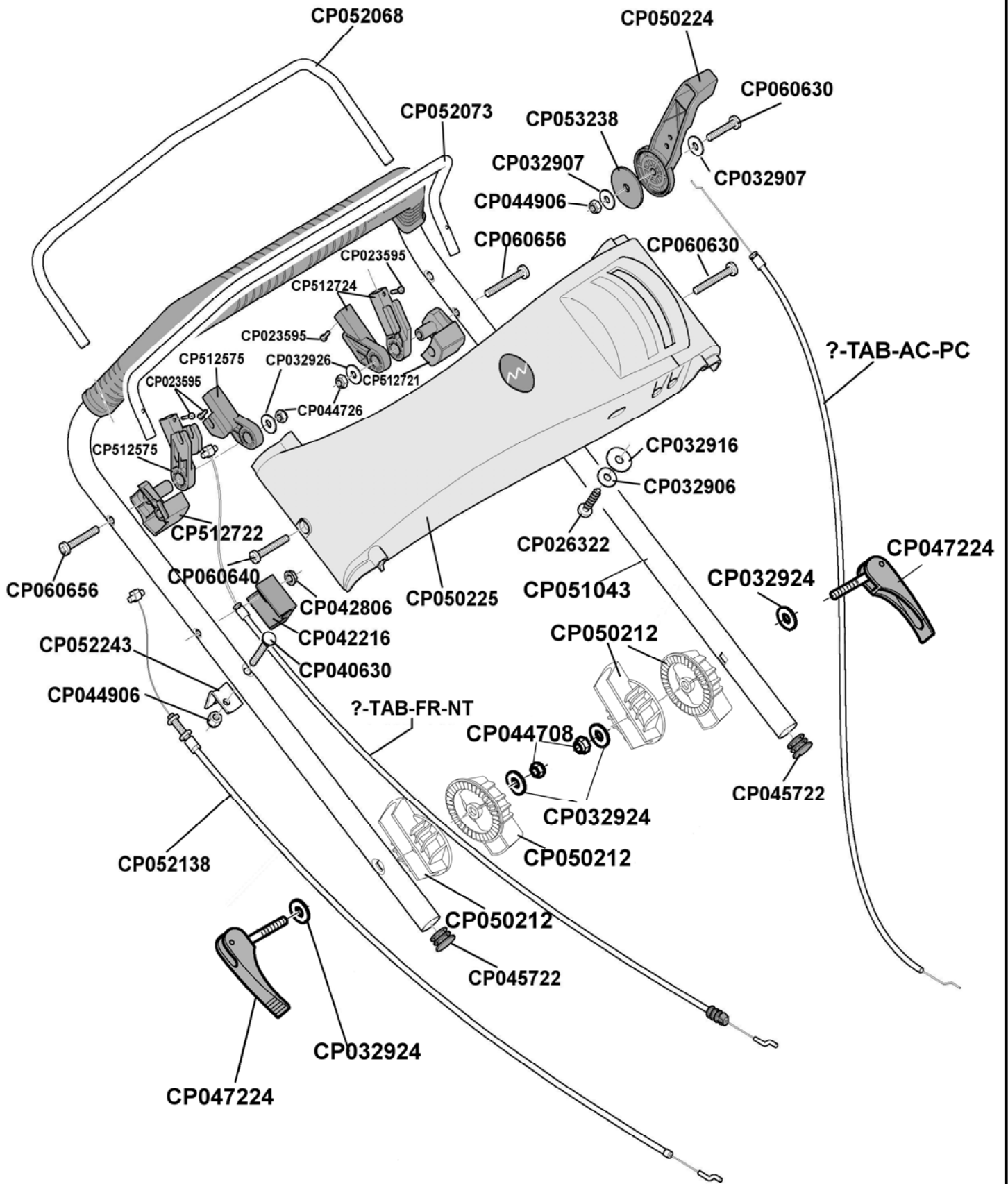
B & S

(SEMOVENTE)



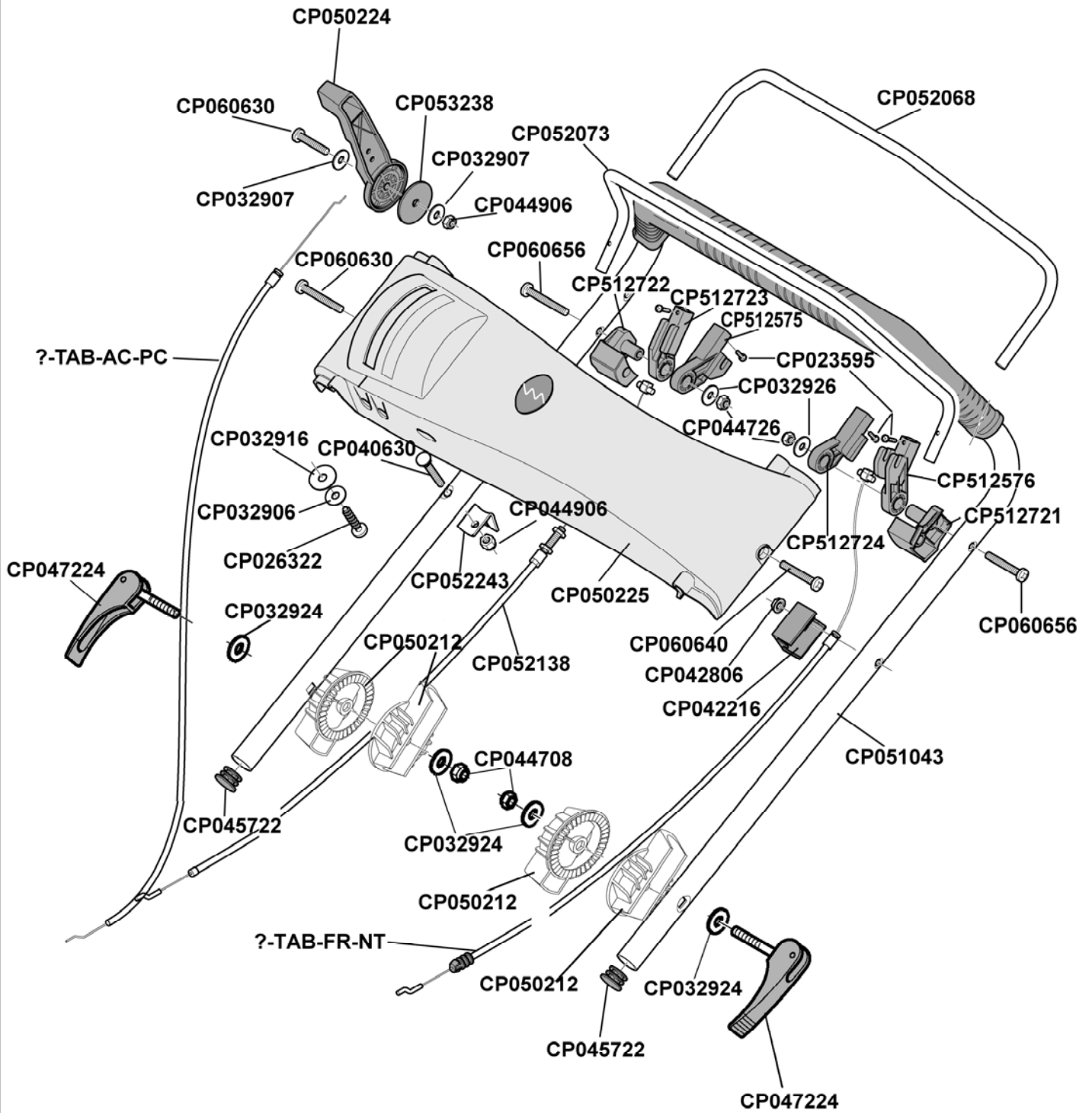
HONDA

(SEMOVENTE)

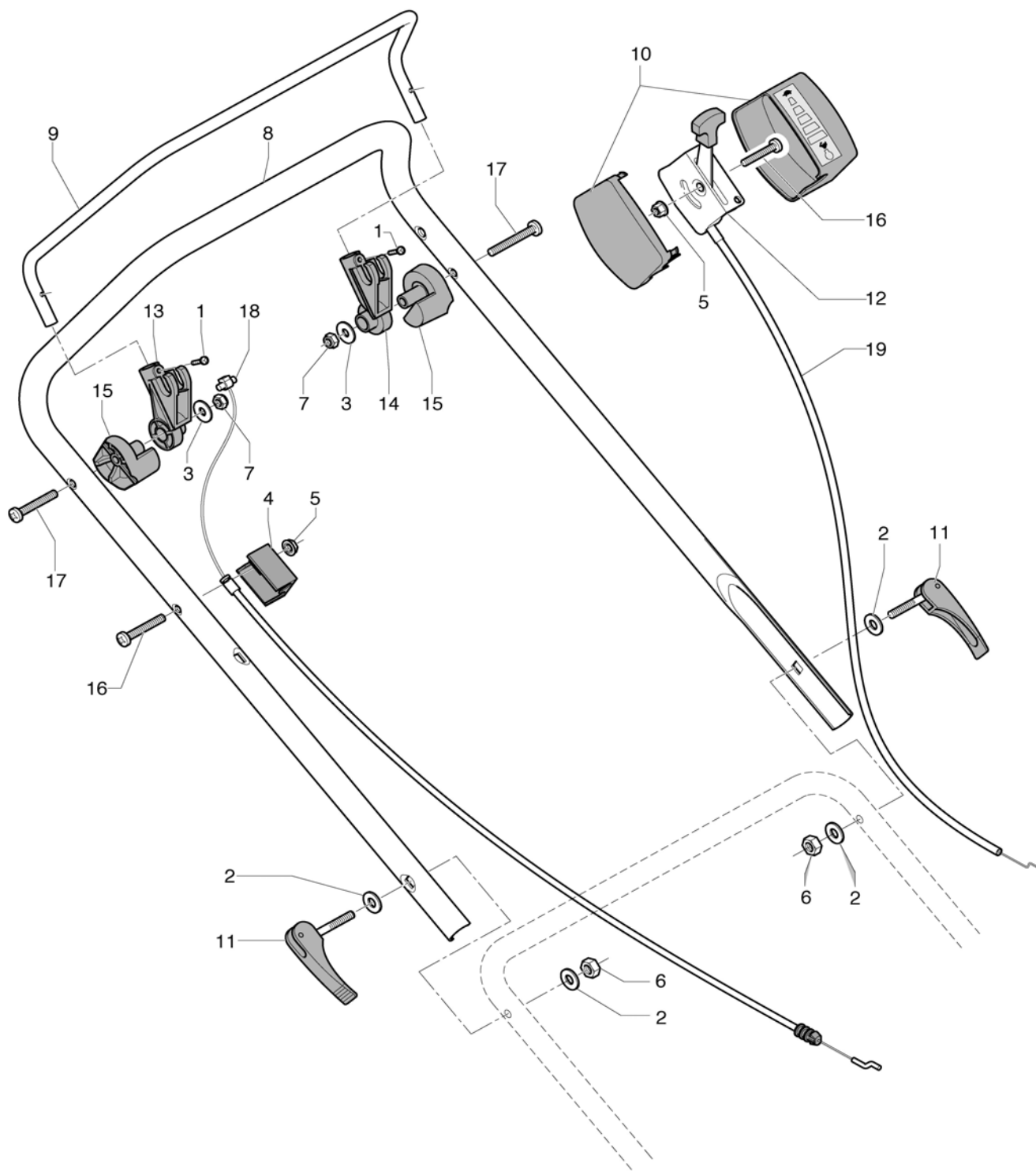


B & S

(SEMOVENTE)



MANICO SPINTA - FISSO 03/2006



RICAMBI ORIGINALI



POS.	CODICE	I	F	D	GB	E	Q.TA'
1	CP023595	VITE	VIS	SCHRAUBE	SCREW	TORNILLO	2
2	CP032924	RONDELLA	RONDELLE	SCHEIBE	WASHER	ARANDELA	4
3	CP032926	RONDELLA	RONDELLE	SCHEIBE	WASHER	ARANDELA	2
4	CP042216	BLOCCHETTO CAVO F	ATTACHE CABLE FRE	KABELBESCHWERER	CLIP	FIJADOR CABLE	1
5	CP042806	DADO	ÉCROU	MUTTER	KNOB	ESPARRAGO	2
6	CP044708	DADO	ÉCROU	MUTTER	KNOB	ESPARRAGO	2
7	CP044726	DADO	ÉCROU	MUTTER	KNOB	ESPARRAGO	2
8	CP046042	MANICO SUP.	GUIDON	STIEL	HANDLE	MANILLAR	1
9	CP046073	LEVA FRENO	LEVIER FREIN	STANGE	LEVER	LEVA	1
10	CP047220	COPRIACCELERATOR	COUVERCLE	DECKEL	COVER	COPA PROTECTORA	1
11	CP047222	LEVA COMPLETA COR	LEVIER	STANGE	LEVER	LEVA	2
12	CP047250	COMANDO ACCELERA	LEVIER	STANGE	THROTTLE LEVER	LEVA	1
13	CP052216	SUPPORTO LEVA FRE	SUPPORT	AUFNAHMEBÜGEL	SUPPORT	SOPORTE	1
14	CP052217	SUPPORTO LEVA FRE	SUPPORT	AUFNAHMEBÜGEL	SUPPORT	SOPORTE	1
15	CP052220	SUPPORTO PER SUPP	SUPPORT	AUFNAHMEBÜGEL	SUPPORT	SOPORTE	2
16	CP060640	VITE TC	VIS	SCHRAUBE	SCREW	TORNILLO	2
17	CP060656	VITE	VIS	SCHRAUBE	SCREW	TORNILLO	2

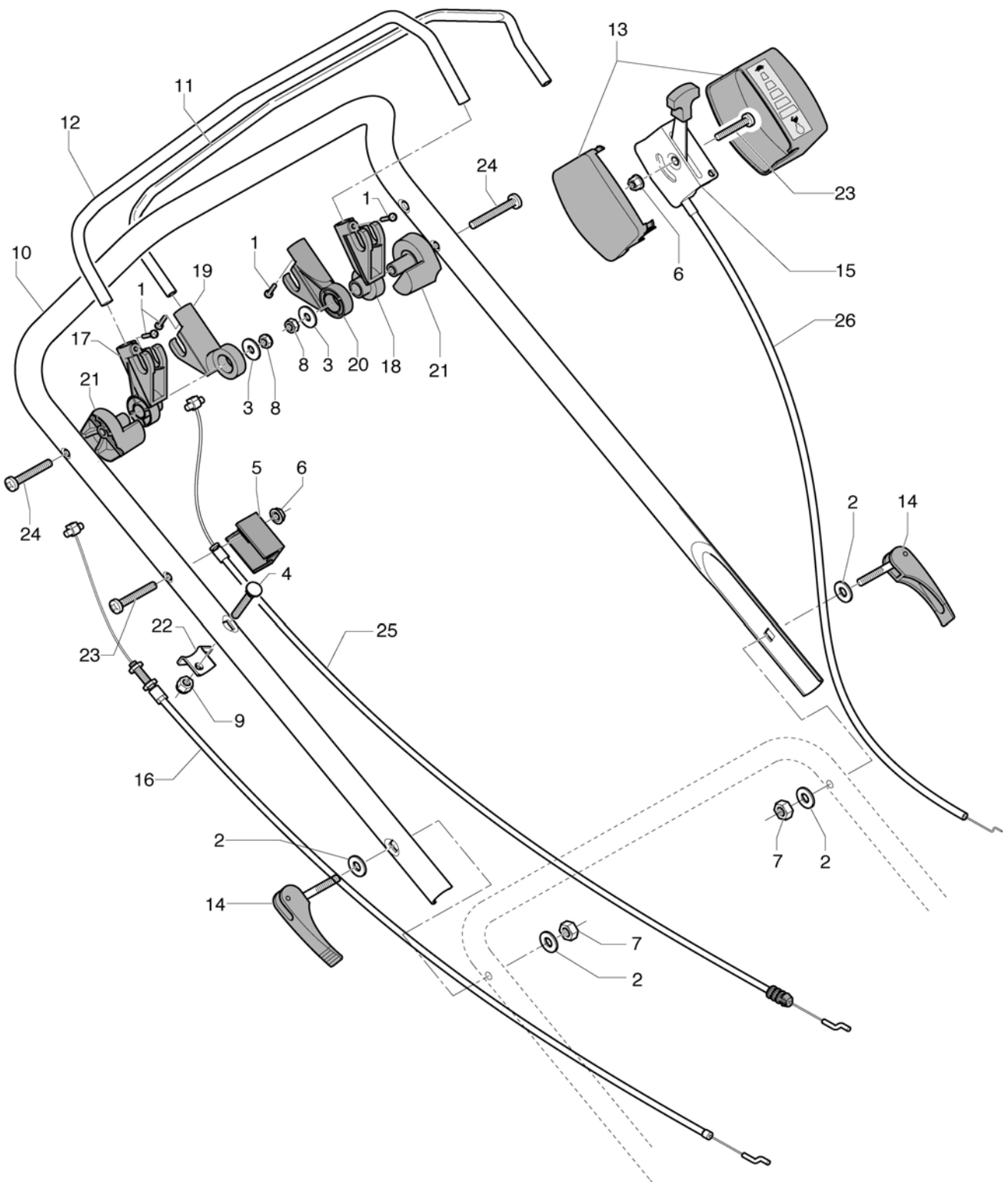
Tabella CAVI FRENO valida per macchine a spinta e a trazione			
	CODICE CAVO	MODELLO TOSAERBA GX-AK-SP	MOTORE
18	CP052149	41 - 42 - 45 - 46 - 47 - 52 - 53 - 50 - 51 - 56 - 57 - Biomulch	Honda
	CP052146	56 VV	
	CP040148	40 - 400	B&S
	CP046148	41 - 42 - 45 - 46 - 47	
	CP046149	45 - 50 52 - 53 - Biomulch	
	CP046148	41 - 42 - 45 - 46 - 47 - 51 - 52 - 53 - Biomulch	B&S
	CP046149	50 - 56 - 56 VV - 57	
	CP046149	40 - 400	Tecumseh
CP052148	41 - 42 - 45 - 46 - 47 - 52 - 53		

Tabella CAVI ACCELERATORE valida per macchine a spinta e a trazione			
	CODICE CAVO	MODELLO TOSAERBA GX-AK-SP	MOTORE
19	CP047142	41 - 42 - 46 - 47	Honda
	CP053142	45 - 50 - 51 - 52 - 53 - 57 - Biomulch	
	CP056143	56 VV	Honda
	CP047143	50 - 56 - 57	
	CP047142	400 B	B&S
	CP047143	41 - 42	
	CP047141	46 - 47	
	CP050143	45 - 52 - 53 - Biomulch	B&S
	CP047143	45 - 46 - 47 - 51 - 52 - 53 - Biomulch	
	CP047141	50 - 57	B&S
	CP050143	56 VV	
	CP040142	40 - 400	Tecumseh
	CP047142	41 - 42 - 46 - 47	
	CP053142	45 - 50 - 51 - 52 - 53 - 57 - Biomulch	

N.B. Pos. 5-10-12-16-19 sono opzionali.

Attention: Pos. 5-10-12-16-19 are optional.

MANICO TRAZIONE - FISSO 03/2006



POS.	CODICE	I	F	D	GB	E	Q.TA'
1	CP023595	VITE	VIS	SCHRAUBE	SCREW	TORNILLO	4
2	CP032924	RONDELLA	RONDELLE	SCHEIBE	WASHER	ARANDELA	4
3	CP032926	RONDELLA	RONDELLE	SCHEIBE	WASHER	ARANDELA	2
4	CP040630	VITE TTQST	VIS	SCHRAUBE	SCREW	TORNILLO	1
5	CP042216	BLOCCETTO CAVO F	ATTACHE CABLE FRE	KABELBESCHWERER	CLIP	FIJADOR CABLE	1
6	CP042806	DADO	ÉCROU	MUTTER	KNOB	ESPARRAGO	2
7	CP044708	DADO	ÉCROU	MUTTER	KNOB	ESPARRAGO	2
8	CP044726	DADO	ÉCROU	MUTTER	KNOB	ESPARRAGO	2
9	CP044906	DADO	ÉCROU	MUTTER	KNOB	ESPARRAGO	1
10	CP046042	MANICO SUP.	GUIDON	STIEL	HANDLE	MANILLAR	1
11	CP046068	LEVA INNESTO	LEVIER EMBRAYAGE	STANGE	LEVER CLUTCH	LEVA	1
12	CP046073	LEVA FRENO	LEVIER FREIN	STANGE	LEVER	LEVA	1
13	CP047220	COPRIACCELERATOR	COUVERCLE	DECKEL	COVER	COPA PROTECTORA	1
14	CP047222	LEVA COMPLETA COR	LEVIER	STANGE	LEVER	LEVA	2
15	CP047250	COMANDO ACCELERA	LEVIER	STANGE	THROTTLE LEVER	LEVA	1
16	CP052138	CAVO SEMOVENZA	CABLE D'EMBAYAGE	SELBSTBEWEGLICHK	CABLE CLUTCH	CABLE TRACCION	1
17	CP052216	SUPPORTO LEVA FRE	SUPPORT	AUFNAHMEBÜGEL	SUPPORT	SOPORTE	1
18	CP052217	SUPPORTO LEVA FRE	SUPPORT	AUFNAHMEBÜGEL	SUPPORT	SOPORTE	1
19	CP052218	SUPPORTO LEVA SEM	SUPPORT	AUFNAHMEBÜGEL	SUPPORT	SOPORTE	1
20	CP052219	SUPPORTO LEVA SEM	SUPPORT	AUFNAHMEBÜGEL	SUPPORT	SOPORTE	1
21	CP052220	SUPPORTO PER SUPP	SUPPORT	AUFNAHMEBÜGEL	SUPPORT	SOPORTE	2
22	CP052243	STAFFETTA REGISTR	EQUARRE	WINKELMASS	BRACKET	ABRAZDERA CABLE	1
23	CP060640	VITE TC	VIS	SCHRAUBE	SCREW	TORNILLO	2
24	CP060656	VITE	VIS	SCHRAUBE	SCREW	TORNILLO	2

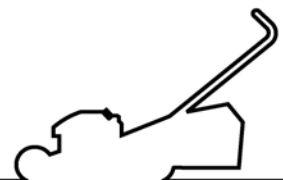
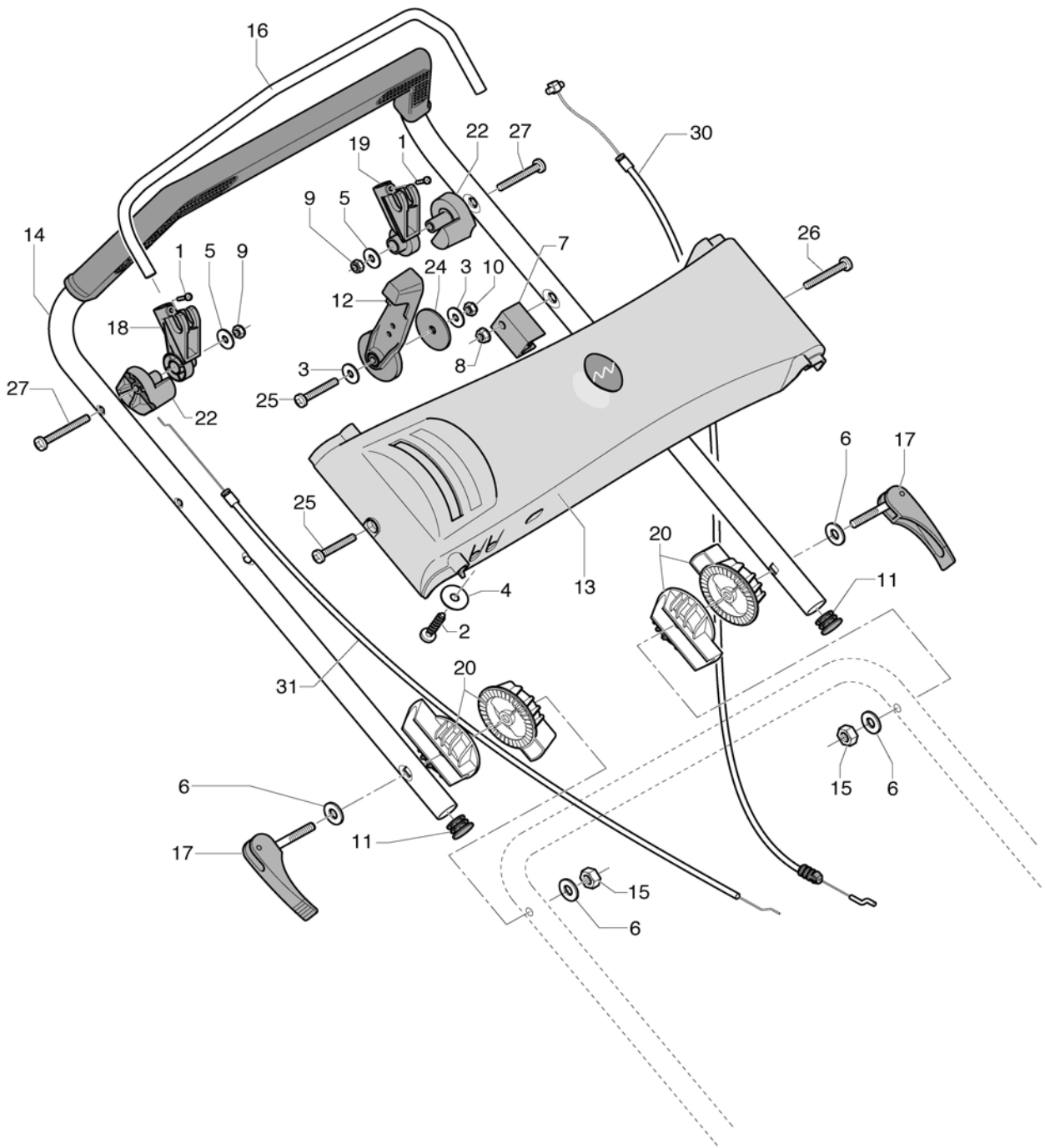
Tabella CAVI FRENO valida per macchine a spinta e a trazione				
25	CODICE CAVO	MODELLO TOSAERBA GX-AK-SP		MOTORE
		CP052149	41 - 42 - 45 - 46 - 47 - 52 - 53 - 50 - 51 - 56 - 57 - Biomulch	
	CP052146	56 VV		
	CP040148	40 - 400		B&S Classic - Quattro
	CP046148	41 - 42 - 45 - 46 - 47		
	CP046149	45 - 50 52 - 53 - Biomulch		
	CP046148	41 - 42 - 45 - 46 - 47 - 51 - 52 - 53 - Biomulch		B&S XTS
	CP046149	50 - 56 - 56 VV - 57		
	CP046149	40 - 400		Tecumseh Vantage - Prisma - Centura
	CP052148	41 - 42 - 45 - 46 - 47 - 52 - 53		

Tabella CAVI ACCELERATORE valida per macchine a spinta e a trazione				
26	CODICE CAVO	MODELLO TOSAERBA GX-AK-SP		MOTORE
		CP047142	41 - 42 - 46 - 47	
	CP053142	45 - 50 - 51 - 52 - 53 - 57 - Biomulch		
	CP056143	56 VV		Honda GXV 140
	CP047143	50 - 56 - 57		
	CP047142	400 B		B&S Classic - Quattro
	CP047143	41 - 42		
	CP047141	46 - 47		
	CP050143	45 - 52 - 53 - Biomulch		B&S XTS
	CP047143	45 - 46 - 47 - 51 - 52 - 53 - Biomulch		
	CP047141	50 - 57		Tecumseh Vantage - Prisma - Centura
	CP050143	56 VV		
	CP040142	40 - 400		
	CP047142	41 - 42 - 46 - 47		
	CP053142	45 - 50 - 51 - 52 - 53 - 57 - Biomulch		

N.B. Pos. 5-10-12-16-19 sono opzionali.

Attention: Pos. 5-10-12-16-19 are optionals.

MANICO SPINTA - REGOLABILE 03/2006

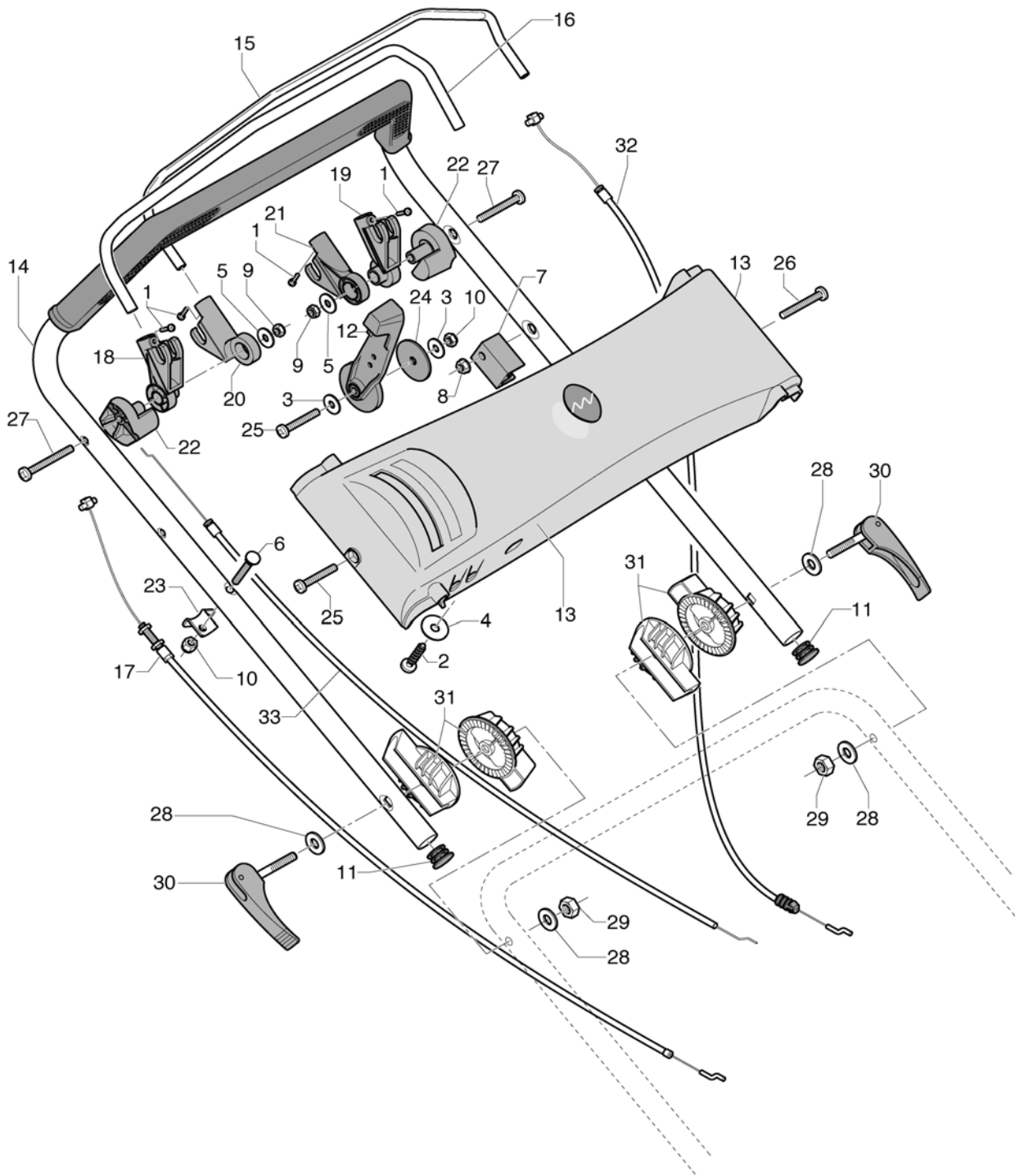


POS.	CODICE	I	F	D	GB	E	Q.TA'
1	CP023595	VITE	VIS	SCHRAUBE	SCREW	TORNILLO	2
2	CP026322	VITE AUTOF.	VIS	SCHRAUBE	SCREW	TORNILLO	1
3	CP032907	RONDELLA	RONDELLE	SCHEIBE	WASHER	ARANDELA	2
4	CP032916	RONDELLA	RONDELLE	SCHEIBE	WASHER	ARANDELA	1
5	CP032926	RONDELLA	RONDELLE	SCHEIBE	WASHER	ARANDELA	2
6	CP032924	RONDELLA	RONDELLE	SCHEIBE	WASHER	ARANDELA	4
7	CP042216	BLOCCETTO CAVO F	ATTACHE CABLE FRE	KABELBESCHWERER	CLIP	FIJADOR CABLE	1
8	CP042806	DADO	ÉCROU	MUTTER	KNOB	ESPARRAGO	1
9	CP044726	DADO	ÉCROU	MUTTER	KNOB	ESPARRAGO	2
10	CP044906	DADO	ÉCROU	MUTTER	KNOB	ESPARRAGO	1
11	CP045722	TAPPO	COUVERCLE	KAPPE	CAP	TAPA	2
12	CP050224	LEVA DI COMANDO	LEVIER	STANGE	LEVER	LEVA	1
13	CP050225	PLANCIA GRIGIA 7035	TABLEAU DE BORD	ARMATURENBRETT	DASH-BOARD	PLACA DEL MANILLAR	1
14	CP051043	MANICO SUP.	GUIDON	STIEL	HANDLE	MANILLAR	1
15	CP044708	DADO	ÉCROU	MUTTER	KNOB	ESPARRAGO	2
16	CP052073	LEVA FRENO	LEVIER FREIN	STANGE	LEVER	LEVA	1
17	CP047224	LEVA COMPLETA LUN	LEVIER	STANGE	LEVER	LEVA	2
18	CP052216	SUPPORTO LEVA FRE	SUPPORT	AUFNAHMEBÜGEL	SUPPORT	SOPORTE	1
19	CP052217	SUPPORTO LEVA FRE	SUPPORT	AUFNAHMEBÜGEL	SUPPORT	SOPORTE	1
20	CP050212	REGOLATORE MANICO	REGLAGE DE GUIDON	STIELREGULATOR	HANDLE REGULATOR	REGULADOR MANILLA	4
22	CP052220	SUPPORTO PER SUPP	SUPPORT	AUFNAHMEBÜGEL	SUPPORT	SOPORTE	2
24	CP053238	RONDELLA	RONDELLE	SCHEIBE	WASHER	ARANDELA	1
25	CP060630	VITE TC	VIS	SCHRAUBE	SCREW	TORNILLO	2
26	CP060640	VITE TC	VIS	SCHRAUBE	SCREW	TORNILLO	1
27	CP060656	VITE	VIS	SCHRAUBE	SCREW	TORNILLO	2

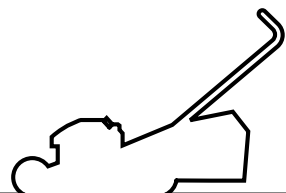
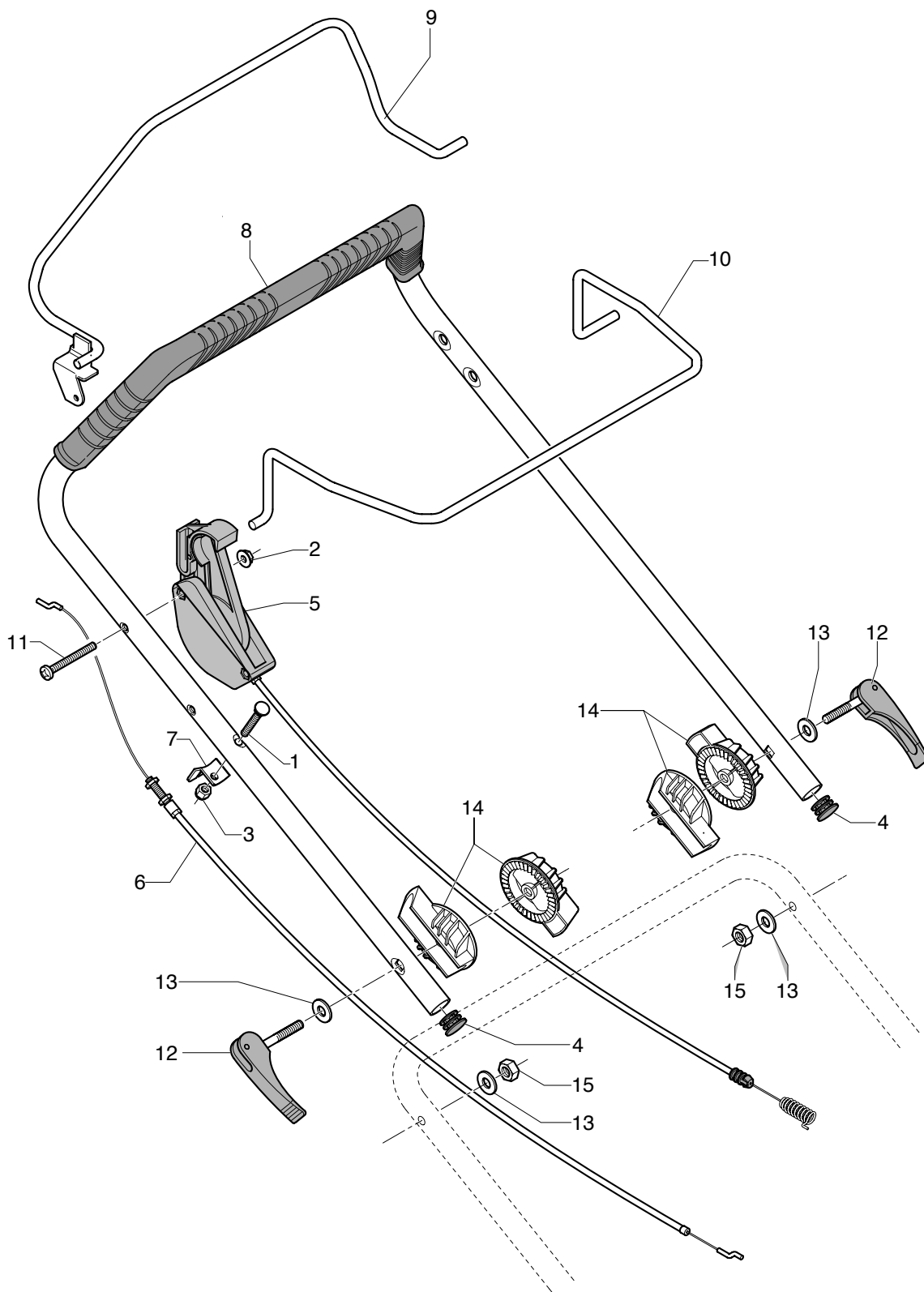
Tabella CAVI FRENO valida per macchine a spinta e a trazione				
30	CODICE CAVO	MODELLO TOSAERBA GT-MX	MOTORE	
	CP052149	41 - 42 - 45 - 46 - 47 - 52 - 53 - 50 - 51 - 56 - 57 - Biomulch		Honda
CP052146	56 VV			
CP040148	40 - 400		B&S	Classic - Quattro
CP046148	41 - 42 - 45 - 46 - 47			
CP046149	45 - 50 - 52 - 53 - Biomulch			
CP046148	41 - 42 - 45 - 46 - 47 - 51 - 52 - 53 - Biomulch		B&S	XTS
CP046149	50 - 56 - 56 VV - 57			
CP046149	40 - 400		Tecumseh	Vantage - Prisma - Centura
CP052148	41 - 42 - 45 - 46 - 47 - 52 - 53			

Tabella CAVI ACCELERATORE valida per macchine a spinta e a trazione				
31	CODICE CAVO	MODELLO TOSAERBA GT-MX	MOTORE	
	CP047145	41 - 42 - 46 - 47		Honda
CP053145	45 - 50 - 51 - 52 - 53 - 57 - Biomulch			
CP056145	56 VV			
CP050145	50 - 56 - 57		Honda	GXV 140
CP050145	41 - 42			
CP050145	46 - 47		B&S	Classic - Quattro
CP057145	45 - 52 - 53 - Biomulch			
CP050145	45 - 46 - 47 - 51 - 52 - 53 - Biomulch			
CP050145	50 - 57		B&S	XTS
CP057145	56 VV			
CP047145	41 - 42 - 46 - 47		Tecumseh	Vantage - Prisma - Centura
CP053145	45 - 50 - 51 - 52 - 53 - 57 - Biomulch			

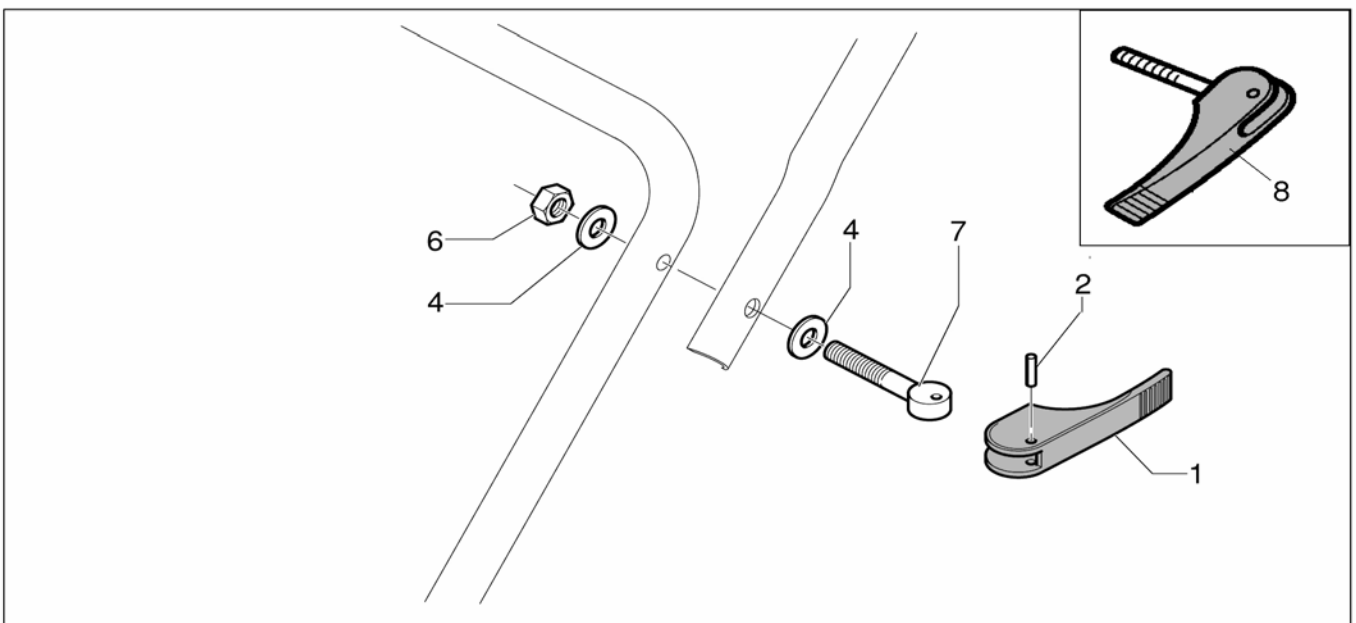
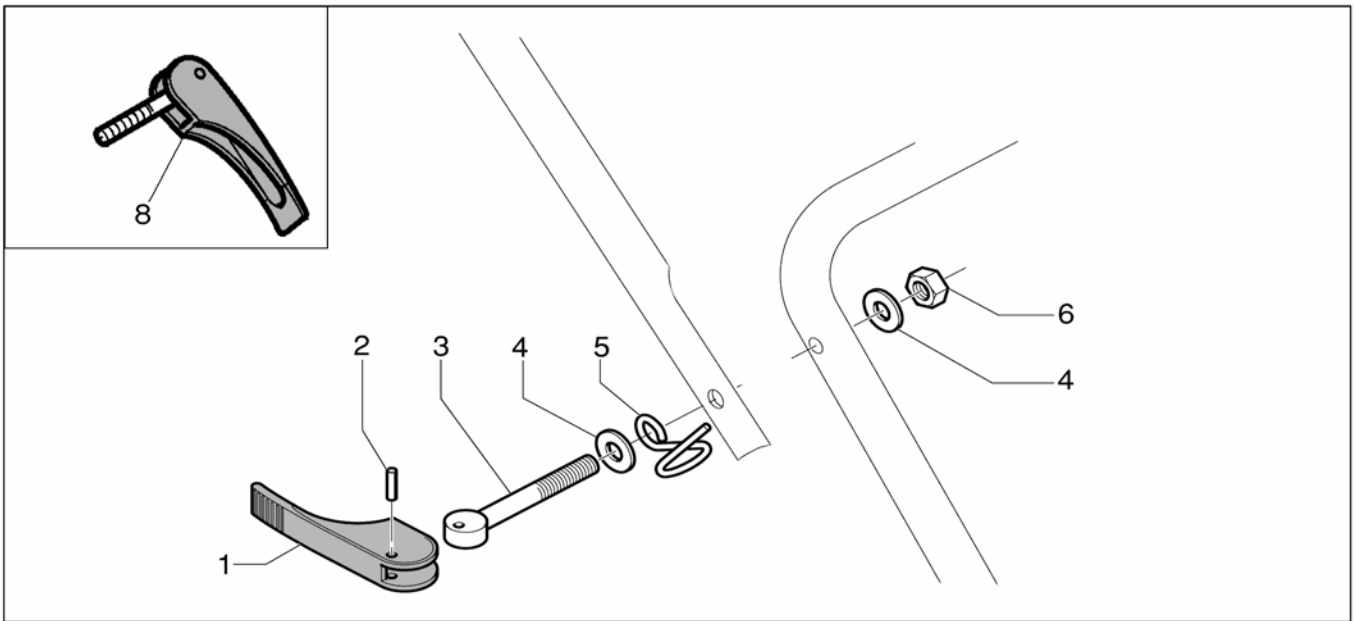
MANICO TRAZIONE - REGOLABILE 03/2006



MANICO REGOLABILE TNM



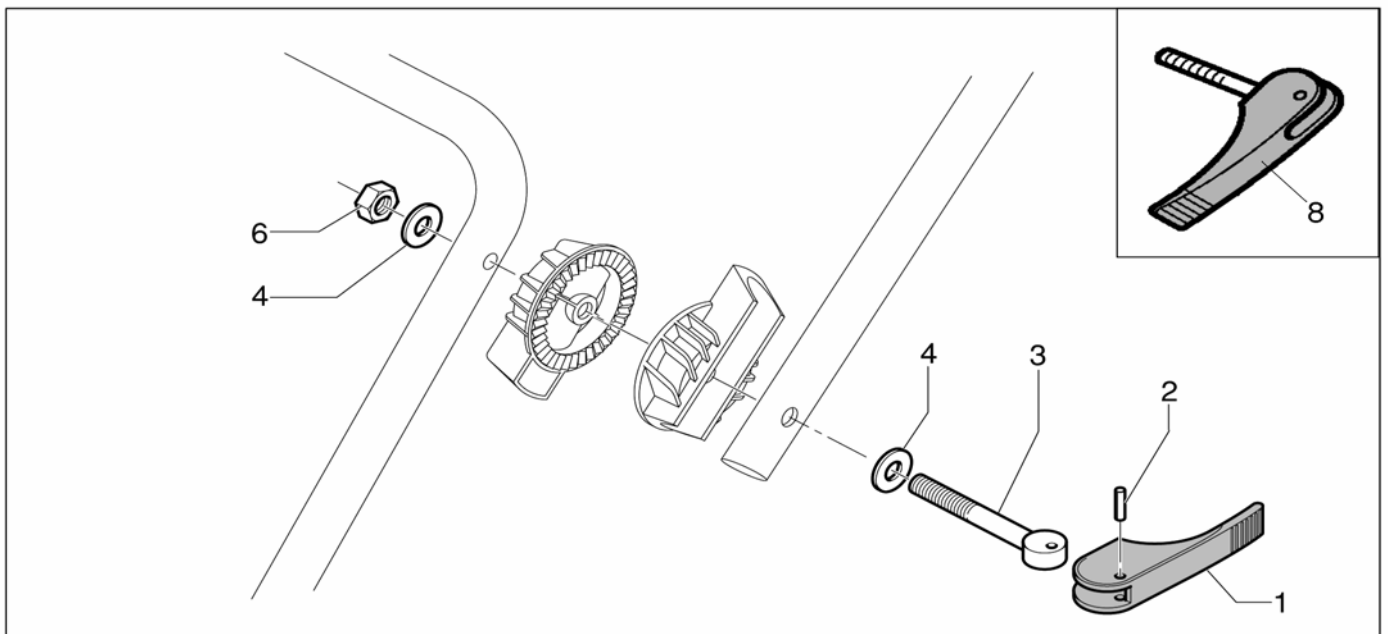
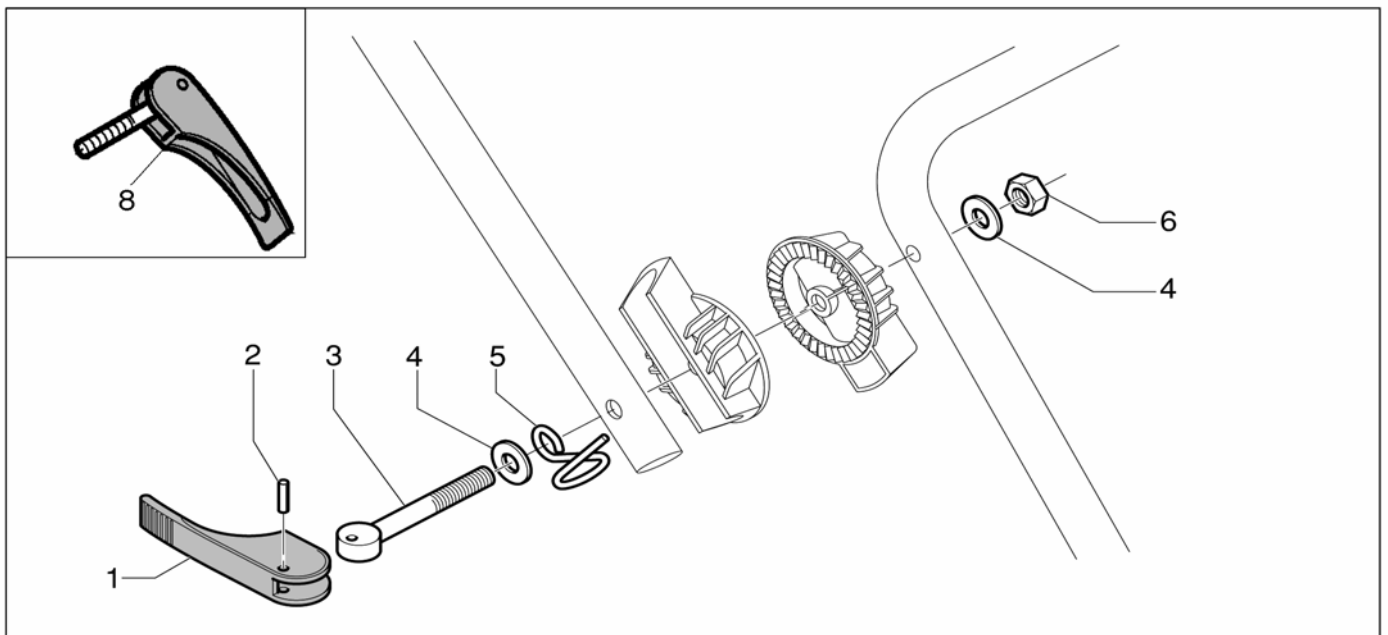
POS.	CODICE	I	F	D	GB	E	Q.TA'
1	CP047218	LEVA	LEVIER	STANGE	LEVER	LEVA	2
2	CP045620	SPINA	GOUPILLE	DORN	PIN	PASADOR	2
4	CP032924	RONDELLA	RONDELLE	SCHEIBE	WASHER	ARANDELA	4
5	CP047242	GANCIO FUNE AVV.	PORTE CABLE	KABELHALTER	CABLE SUPPORT	FIJADOR CABLE	1
6	CP044708	DADO	ÉCROU	MUTTER	KNOB	ESPARRAGO	2
7	CP047266	PERNO FILETTATO	GOUJON	ZAPFEN	PIN	PERNO	2
8	CP047222	LEVA COMPLETA CORT	LEVIER	STANGE	LEVER	LEVA	2



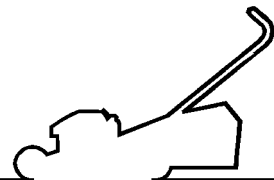
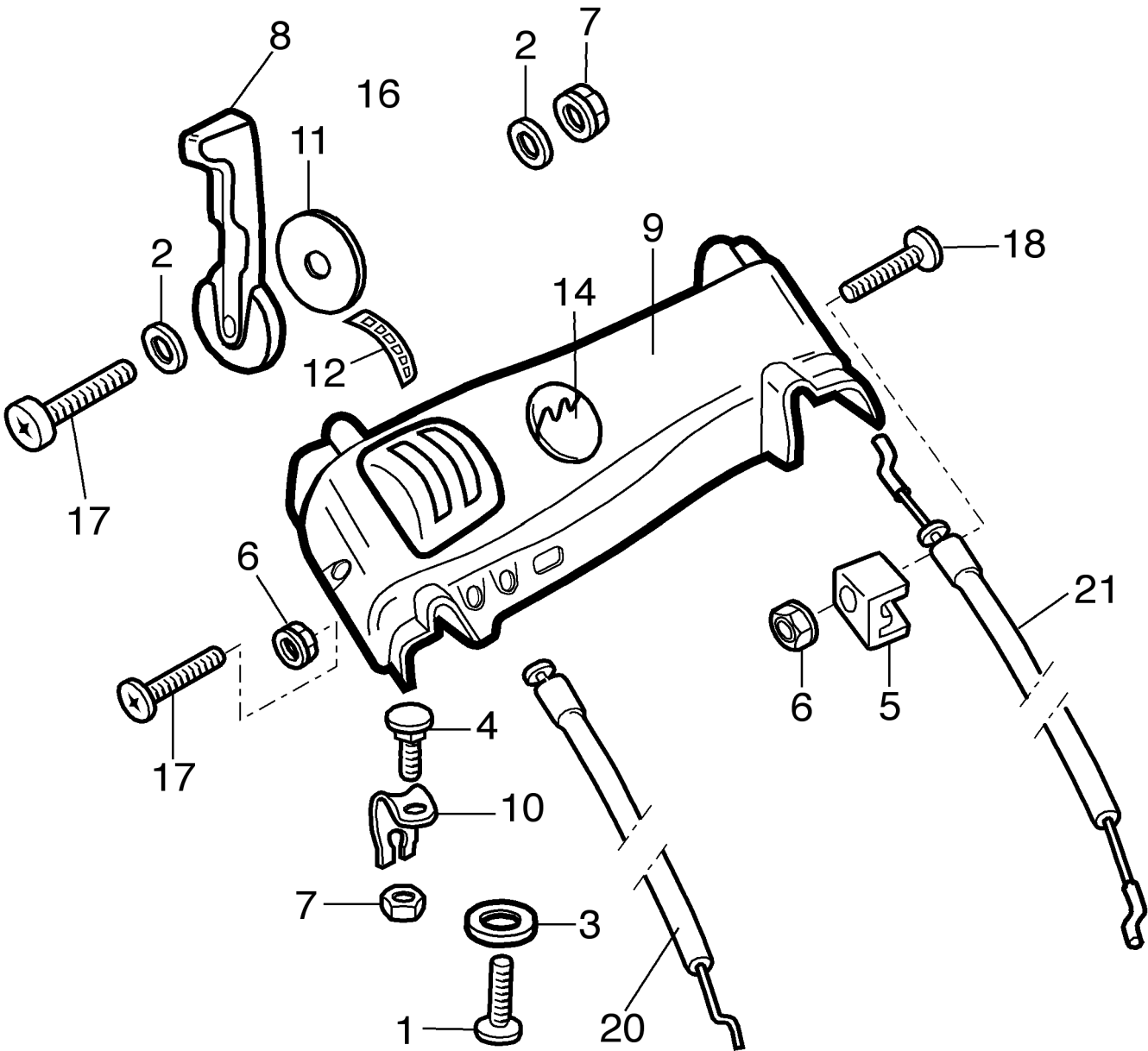
MA.RI.NA.

SGANCIO RAPIDO MANICO REGOLABILE

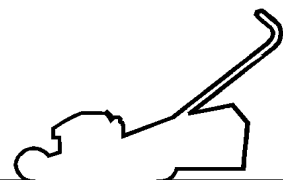
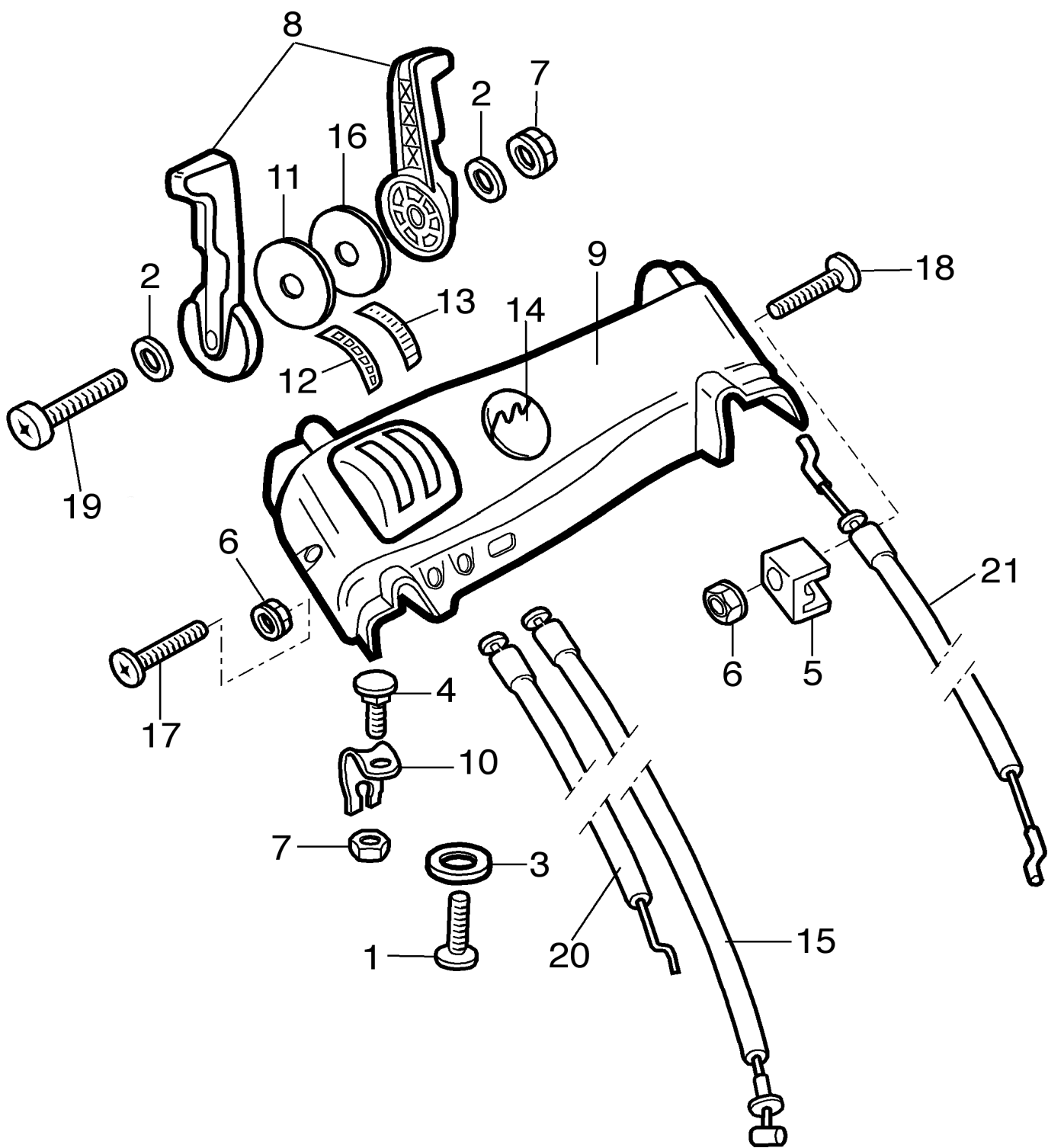
POS.	CODICE	I	F	D	GB	E	Q.TA'
1	CP047218	LEVA	LEVIER	STANGE	LEVER	LEVA	2
2	CP045620	SPINA	GOUPILLE	DORN	PIN	PASADOR	2
3	CP053266	PERNO FILETTATO	GOUJON	ZAPFEN	PIN	PERNO	2
4	CP032924	RONDELLA	RONDELLE	SCHEIBE	WASHER	ARANDELA	4
5	CP047242	GANCIO FUNE AVV.	PORTE CABLE	KABELHALTER	CABLE SUPPORT	FIJADOR CABLE	1
6	CP044708	DADO	ÉCROU	MUTTER	KNOB	ESPARRAGO	2
8	CP047224	LEVA COMPLETA LUNG	LEVIER	STANGE	LEVER	LEVA	2



PLANCIA



PLANCIA - VV





MA.RI.NA SYSTEMS SRL

Via F. Baracca, 3 - 24034 Cisano Bergamasco (BG)

Tel. 035-787774 ra - Fax 035-787761

e-mail info@marinasystems.it

internet <http://www.marinasystems.it>

Allegato al Catalogo ricambi

Tabelle Cavi (agg. 14/11/2005)

Nelle tabelle dei disegni esplosi delle macchine rasaerba, sono stati inseriti i seguenti falsi codici: ?-TAB-FR,?-TAB-AC,?-TAB-AC-PC. Quando nei disegni esplosi viene fatto riferimento ad uno dei falsi codici sopra riportati, dovete riferirvi alle tabelle allagate e ricercare il cavo di Vostro interesse in base al motore ed al modello della Vostra macchina rasaerba.



Greenteam - Marinox

macchine prodotte dopo il 01/11/2004
Progressivo maggiore di 04085000

Tabella CAVI ACCELERATORE valida per macchine a spinta e a trazione (?-TAB-AC-PC)			
MOTORE	MODELLO TOSAERBA GT	CODICE CAVO	
Honda	GCV 135 - GCV 160	41 - 42 - 46 - 47	CP047145
		45 - 50 - 51 - 52 - 53 - 57 - Biomulch	CP053145
	GXV 140	56 VV	CP056145
		50 - 56 - 57	CP050145
B&S	Classic - Quattro	41 - 42	CP050145
		46 - 47	CP050145
		45 - 52 - 53 - Biomulch	CP057145
	XTS	45 - 46 - 47 - 51 - 52 - 53 - Biomulch	CP050145
		50 - 57	CP050145
		56 VV	CP057145
Tecumseh	Vantage - Prisma - Centura	41 - 42 - 46 - 47	CP047145
		45 - 50 - 51 - 52 - 53 - 57 - Biomulch	CP053145

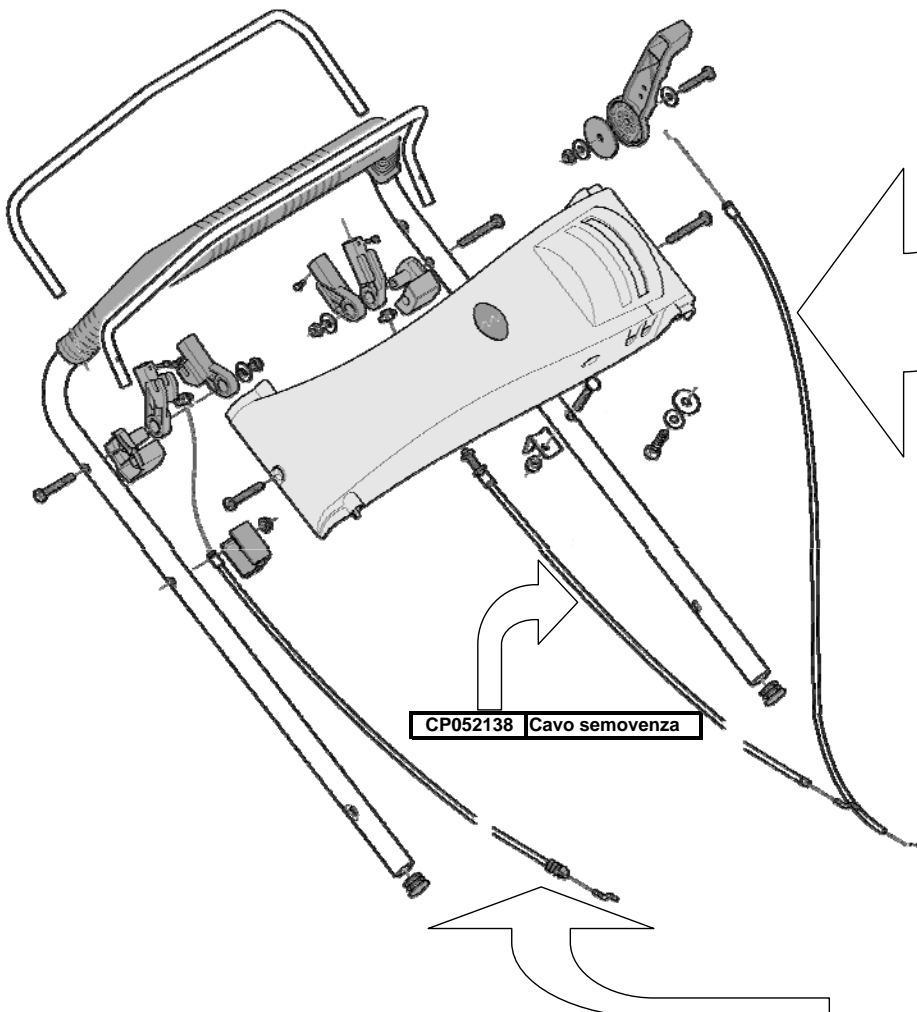
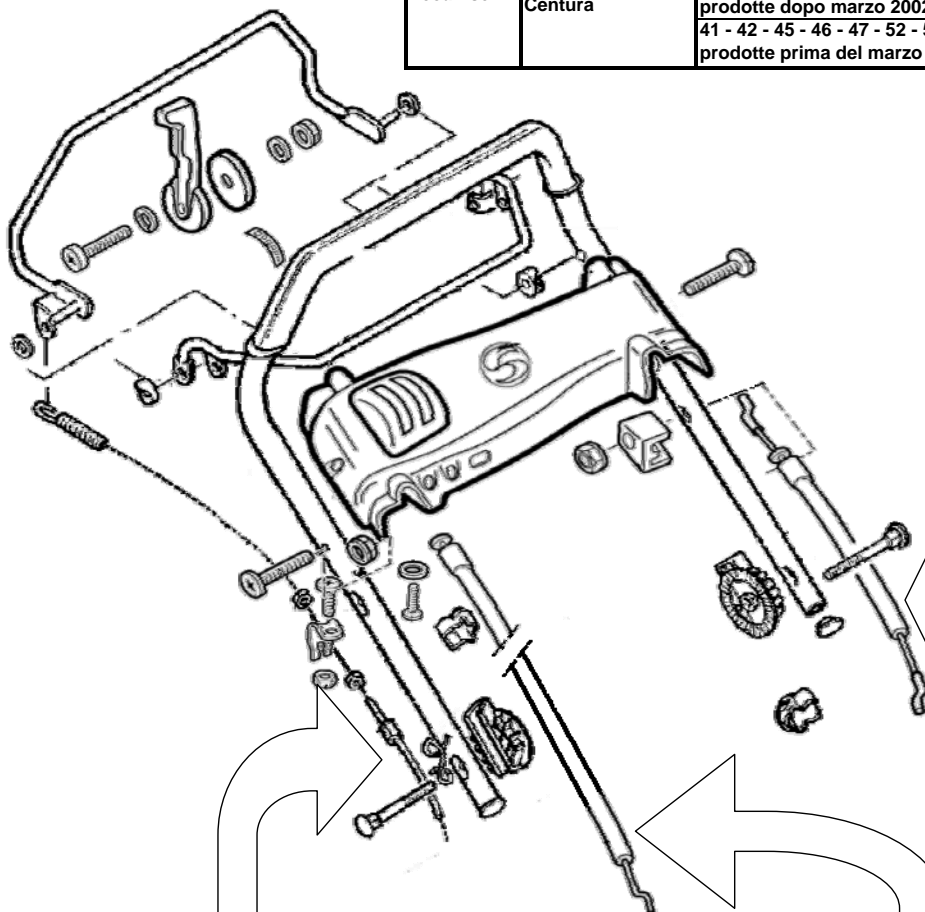


Tabella CAVI FRENO valida per macchine a spinta e a trazione (?-TAB-FR-NT)			
MOTORE	MODELLO TOSAERBA GT	CODICE CAVO	
Honda	GCV 135 - GCV 160 - GXV 140	41 - 42 - 45 - 46 - 47 - 52 - 53 - 50 - 51 - 56 - 57	CP052149
		Biomulch	CP052146
		56 VV	CP040148
B&S	Classic - Quattro	40 - 400	CP046148
		41 - 42 - 45 - 46 - 47	CP046148
		45 - 50 52 - 53 - Biomulch	CP046149
	XTS	41 - 42 - 45 - 46 - 47 - 51 - 52 - 53 - Biomulch	CP046148
		50 - 56 - 56 VV - 57	CP046149
Tecumseh	Vantage - Prisma - Centura	40 - 400	CP046149
		41 - 42 - 45 - 46 - 47 - 52 - 53	CP052148

Greenteam - Marinox

macchine prodotte prima del 01/11/2004
Progressivo minore di 04085000

Tabella CAVI FRENO valida per macchine a spinta e a trazione (?-TAB-FR-NT)			
MOTORE		MODELLO TOSAERBA GT	CODICE CAVO
Honda	GCV 135 - GCV 160 - GXV 140	41 - 42 - 45 - 46 - 47 - 52 - 53 - 50 - 51 - 56 - 57	CP042148
		Biomulch 56 VV	CP056148
B&S	Classic - Quattro	40 - 400	CP040148
		41 - 42 - 45 - 46 - 47	CP047148
	XTS	45 - 50 52 - 53 - Biomulch	CP050148
		41 - 42 - 45 - 46 - 47 - 51 - 52 - 53 - Biomulch 50 - 56 - 56 VV - 57	CP047148 CP050148
Tecumseh	Vantage - Prisma - Centura	40 - 400 (Macchine prodotte dopo il 2001)	CP050148
		400 (macchine prodotte prima del 2002)	CP056148
		41 - 42 - 45 - 46 - 47 - 52 - 53 (Macchine prodotte dopo marzo 2002)	CP056149
		41 - 42 - 45 - 46 - 47 - 52 - 53 (Macchine prodotte prima del marzo 2002)	CP047146



CP050139 Cavo semovenza

Tabella CAVI ACCELERATORE valida per macchine a spinta e a trazione (?-TAB-AC-PC)			
MOTORE		MODELLO TOSAERBA GT	CODICE CAVO
Honda	GCV 135 - GCV 160 GXV 140	41 - 42 - 46 - 47	CP047145
		45 - 50 - 51 - 52 - 53 - 57 - Biomulch 56 VV	CP053145 CP056145
		50 - 56 - 57	CP050145
B&S	Classic - Quattro	41 - 42	CP050145
		46 - 47	CP050145
	XTS	45 - 52 - 53 - Biomulch	CP057145
		45 - 46 - 47 - 51 - 52 - 53 - Biomulch	CP050145
		50 - 57 56 VV	CP050145 CP057145
Tecumseh	Vantage - Prisma - Centura	41 - 42 - 46 - 47	CP047145
		45 - 50 - 51 - 52 - 53 - 57 - Biomulch	CP053145

Galaxy - Akita - Spartan

macchine prodotte dopo il 01/11/2004
Progressivo maggiore di 04085000

Tabella CAVI ACCELERATORE valida per macchine a spinta e a trazione (?-TAB-AC)			
MOTORE	MODELLO TOSAERBA GX - AK - SP	CODICE CAVO	
Honda	GCV 135 - GCV 160	41 - 42 - 46 - 47	CP047142
		45 - 50 - 51 - 52 - 53 - 57 - Biomulch	CP053142
	GXV 140	56 VV	CP056143
		50 - 56 - 57	CP047143
B&S	Classic - Quattro	400 B	CP047142
		41 - 42	CP047143
		46 - 47	CP047141
	XTS	45 - 52 - 53 - Biomulch	CP050143
		45 - 46 - 47 - 51 - 52 - 53 - Biomulch	CP047143
		50 - 57	CP047141
Tecumseh	Vantage - Prisma - Centura	56 VV	CP050143
		40 - 400	CP040142
		41 - 42 - 46 - 47	CP047142
		45 - 50 - 51 - 52 - 53 - 57 - Biomulch	CP053142

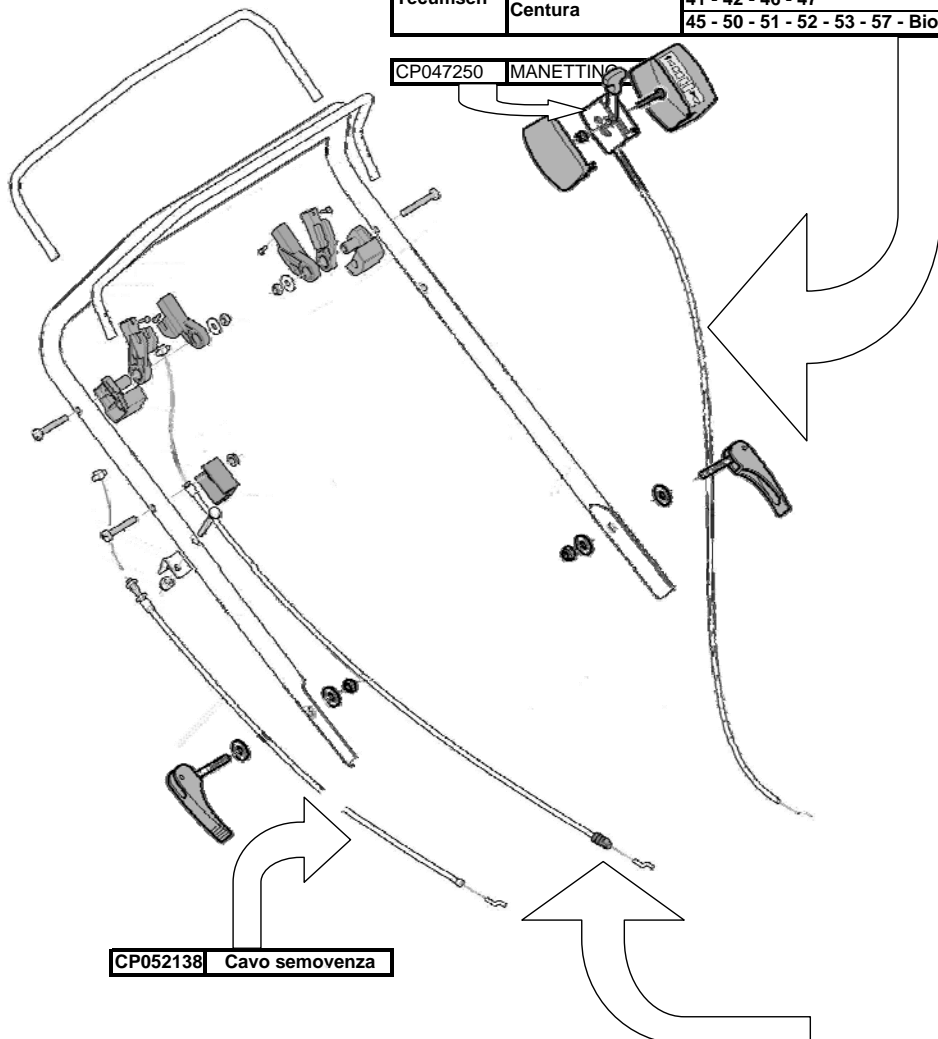
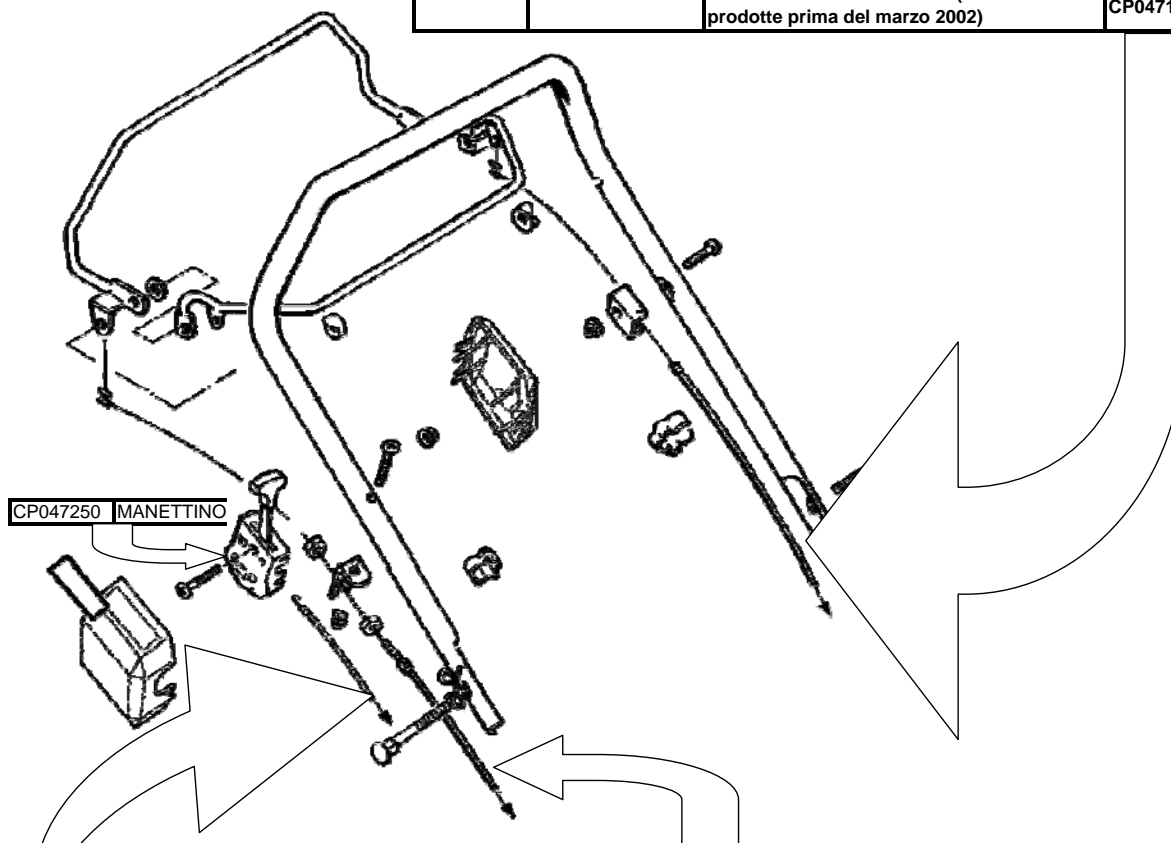


Tabella CAVI FRENO valida per macchine a spinta e a trazione (?-TAB-FR)			
MOTORE	MODELLO TOSAERBA GX - AK - SP	CODICE CAVO	
Honda	GCV 135 - GCV 160 - GXV 140	41 - 42 - 45 - 46 - 47 - 52 - 53 - 50 - 51 - 56 - 57	CP052149
		Biomulch	CP052146
		56 VV	CP040148
B&S	Classic - Quattro	40 - 400	CP040148
		41 - 42 - 45 - 46 - 47	CP046148
	XTS	45 - 50 52 - 53 - Biomulch	CP046149
		41 - 42 - 45 - 46 - 47 - 51 - 52 - 53 - Biomulch	CP046148
Tecumseh	Vantage - Prisma - Centura	50 - 56 - 56 VV - 57	CP046149
		40 - 400	CP046149
		41 - 42 - 45 - 46 - 47 - 52 - 53	CP052148

Galaxy - Akita - Spartan

macchine prodotte prima del 01/11/2004
Progressivo minore di 04085000

Tabella CAVI FRENO valida per macchine a spinta e a trazione (?-TAB-FR)			
MOTORE		MODELLO TOSAERBA GT	CODICE CAVO
Honda	GCV 135 - GCV 160 - GXV 140	41 - 42 - 45 - 46 - 47 - 52 - 53 - 50 - 51 - 56 - 57 Biomulch	CP042148
		56 VV	CP056148
B&S	Classic - Quattro	40 - 400	CP040148
		41 - 42 - 45 - 46 - 47	CP047148
		45 - 50 52 - 53 - Biomulch	CP050148
	XTS	41 - 42 - 45 - 46 - 47 - 51 - 52 - 53 - Biomulch	CP047148
		50 - 56 - 56 VV - 57	CP050148
Tecumseh	Vantage - Prisma - Centura	40 - 400 (Macchine prodotte dopo il 2001)	CP050148
		400 (macchine prodotte prima del 2002)	CP056148
		41 - 42 - 45 - 46 - 47 - 52 - 53 (Macchine prodotte dopo marzo 2002)	CP056149
		41 - 42 - 45 - 46 - 47 - 52 - 53 (Macchine prodotte prima del marzo 2002)	CP047146



CP050139	Cavo semovenza macchine prodotte dopo il sett. 1996	
CP050138	Cavo semovenza macchine prodotte prima del sett. 1996	
CP047138	Cavo semovenza macchine prodotte prima del sett. 1996	

Tabella CAVI ACCELERATORE valida per macchine a spinta e a trazione (?-TAB-AC)			
MOTORE		MODELLO TOSAERBA GX - AK - SP	CODICE CAVO
Honda	GCV 135 - GCV 160 GXV 140	41 - 42 - 46 - 47	CP047142
		45 - 50 - 51 - 52 - 53 - 57 - Biomulch	CP053142
		56 VV	CP056143
		50 - 56 - 57	CP047143
B&S	Classic - Quattro	400 B	CP047142
		41 - 42	CP047143
		46 - 47	CP047141
	XTS	45 - 52 - 53 - Biomulch	CP050143
		45 - 46 - 47 - 51 - 52 - 53 - Biomulch	CP047143
		50 - 57	CP047141
		56 VV	CP050143
Tecumseh	Vantage - Prisma - Centura	40 - 400	CP040142
		41 - 42 - 46 - 47	CP047142
		45 - 50 - 51 - 52 - 53 - 57 - Biomulch	CP053142



MA.RI.NA SYSTEMS SRL

Via F. Baracca, 3 - 24034 Cisano Bergamasco (BG)

Tel. 035-787774 ra - Fax 035-787761

e-mail info@marinasystems.it

internet <http://www.marinasystems.it>

Attachment to our spare parts catalog

Cable Boards (14/11/2005)

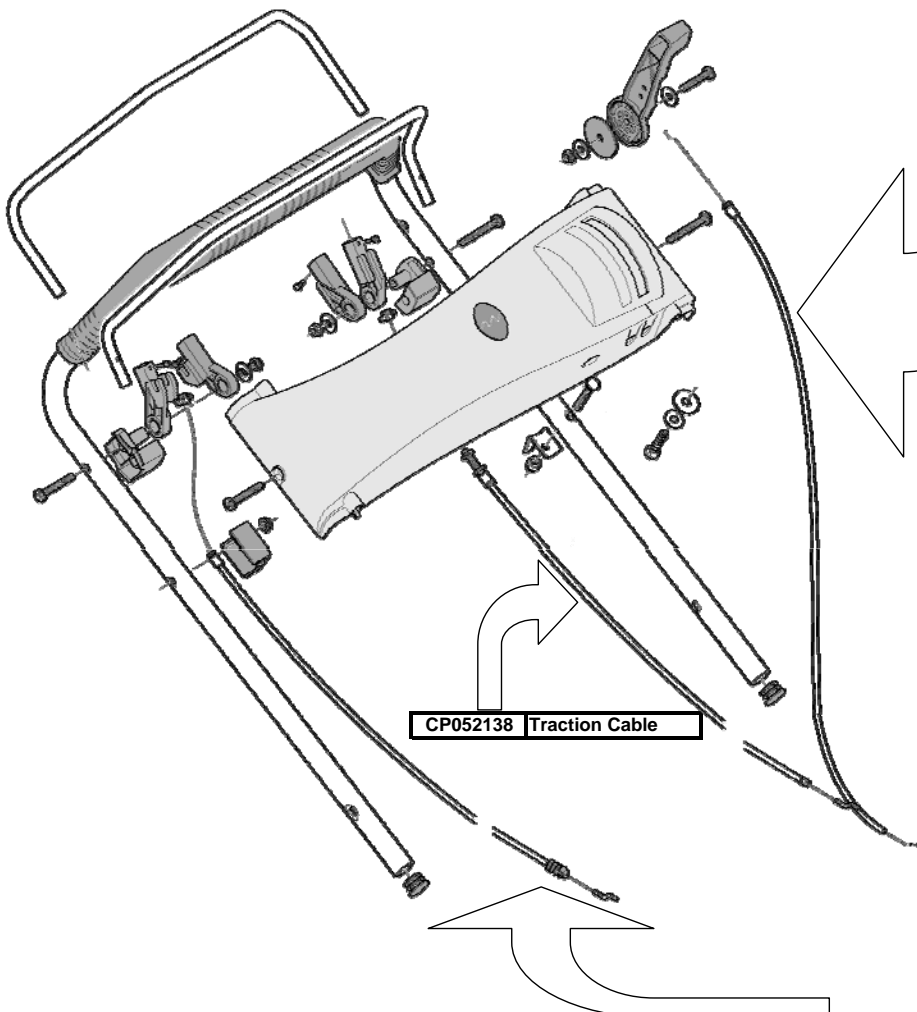
In our spare part drawings of lawnmowers have been used following "false codes": ?-TAB-FR, ? TAP-AC, ?-TAB-AC-PC. Anytime you find one of these reference, you should refer to these attached boards and look for the cable you need, depending on engine and model of your lawnmower.



Greenteam - Marinox

Machines produced after 01/11/2004
Serial number major of 04085000

THROTTLE CABLE board, valid for push and self propelled machines (?-TAB-AC-PC)			
ENGINE	GT MODELS		CABLE CODE
Honda	GCV 135 - GCV 160	41 - 42 - 46 - 47	CP047145
		45 - 50 - 51 - 52 - 53 - 57 - Biomulch	CP053145
	GXV 140	56 VV	CP056145
B&S	Classic - Quattro	50 - 56 - 57	CP050145
		41 - 42	CP050145
		46 - 47	CP050145
	XTS	45 - 52 - 53 - Biomulch	CP057145
		45 - 46 - 47 - 51 - 52 - 53 - Biomulch	CP050145
		50 - 57	CP050145
Tecumseh	Vantage - Prisma - Centura	56 VV	CP057145
		41 - 42 - 46 - 47	CP047145
		45 - 50 - 51 - 52 - 53 - 57 - Biomulch	CP053145



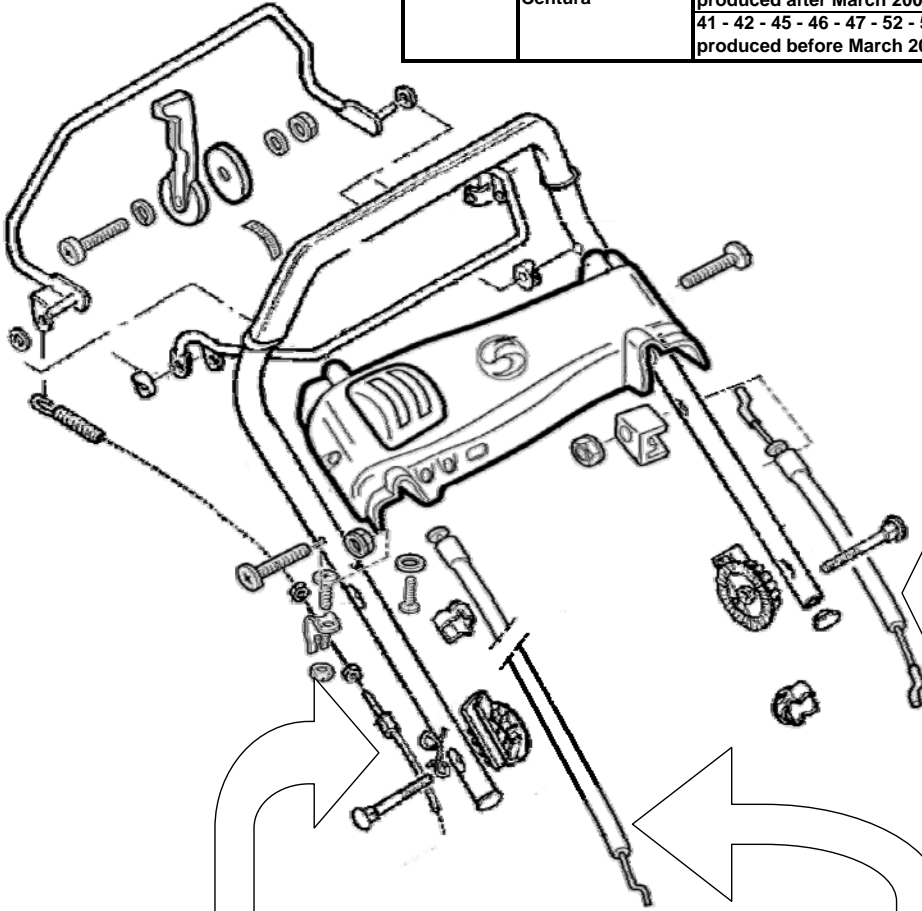
BRAKE CABLE board, valid for push and self propelled machines (?-TAB-FR-NT)			
ENGINE	GT MODELS		CABLE CODE
Honda	GCV 135 - GCV 160 - GXV 140	41 - 42 - 45 - 46 - 47 - 52 - 53 - 50 - 51 - 56 - 57	CP052149
		Biomulch	
		56 VV	CP052146
B&S	Classic - Quattro	40 - 400	CP040148
		41 - 42 - 45 - 46 - 47	CP046148
		45 - 50 52 - 53 - Biomulch	CP046149
	XTS	41 - 42 - 45 - 46 - 47 - 51 - 52 - 53 - Biomulch	CP046148
		50 - 56 - 56 VV - 57	CP046149
		40 - 400	CP046149
Tecumseh	Vantage - Prisma - Centura	41 - 42 - 45 - 46 - 47 - 52 - 53	CP052148

Greenteam - Marinox

Machines produced before 01/11/2004

Serial number inferior to 04085000

BRAKE CABLE board, valid for push and self propelled machines (?-TAB-FR-NT)			
ENGINE		GT MODELS	CABLE CODE
Honda	GCV 135 - GCV 160 - GXV 140	41 - 42 - 45 - 46 - 47 - 52 - 53 - 50 - 51 - 56 - 57 Biomulch	CP042148
		56 VV	CP056148
B&S	Classic - Quattro	40 - 400	CP040148
		41 - 42 - 45 - 46 - 47	CP047148
	XTS	45 - 50 52 - 53 - Biomulch	CP050148
		41 - 42 - 45 - 46 - 47 - 51 - 52 - 53 - Biomulch 50 - 56 - 56 VV - 57	CP047148 CP050148
Tecumseh	Vantage - Prisma - Centura	40 - 400 (machines produced after 2001)	CP050148
		400 (machines produced before 2002)	CP056148
		41 - 42 - 45 - 46 - 47 - 52 - 53 (machines produced after March 2002)	CP056149
		41 - 42 - 45 - 46 - 47 - 52 - 53 (machines produced before March 2002)	CP047146



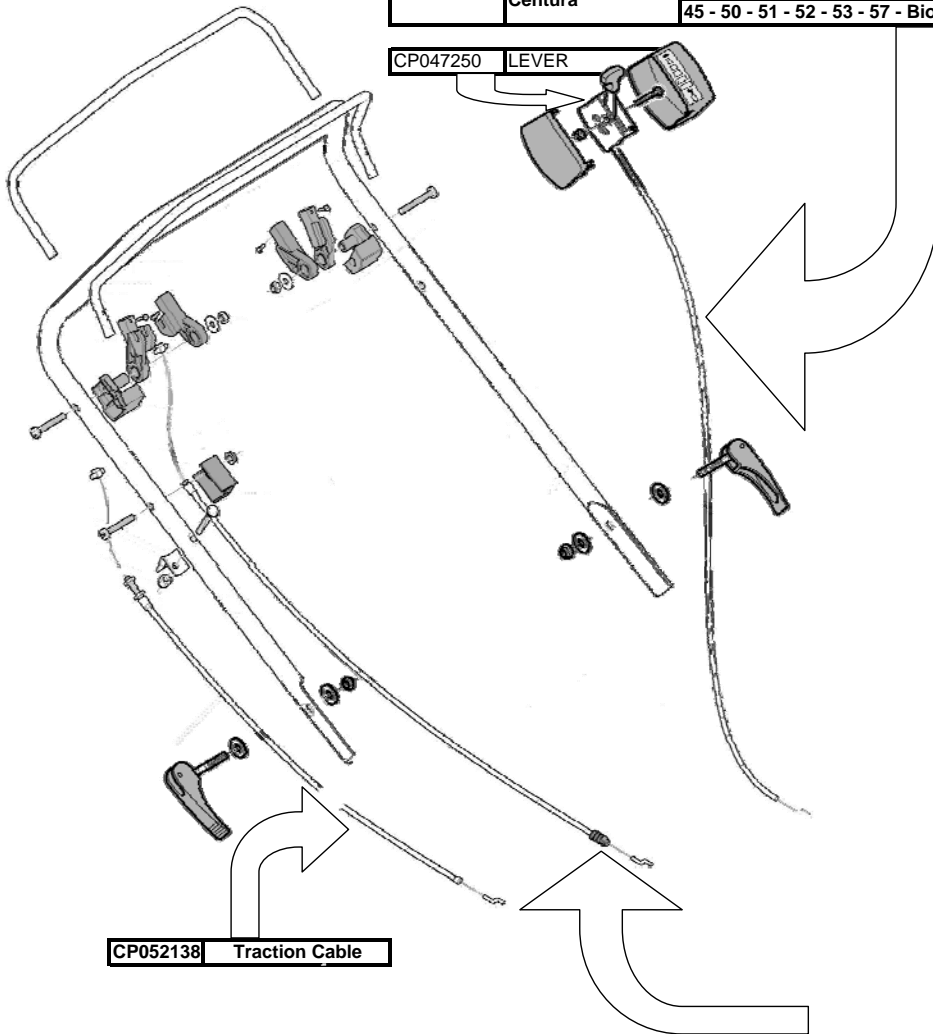
CP052138 Traction Cable

THROTTLE CABLE board, valid for push and self propelled machines (?-TAB-AC-PC)			
ENGINE		GT MODELS	CABLE CODE
Honda	GCV 135 - GCV 160 GXV 140	41 - 42 - 46 - 47	CP047145
		45 - 50 - 51 - 52 - 53 - 57 - Biomulch 56 VV	CP053145 CP056145
		50 - 56 - 57	CP050145
B&S	Classic - Quattro	41 - 42	CP050145
		46 - 47	CP050145
	XTS	45 - 52 - 53 - Biomulch	CP057145
		45 - 46 - 47 - 51 - 52 - 53 - Biomulch	CP050145
		50 - 57 56 VV	CP050145 CP057145
Tecumseh	Vantage - Prisma - Centura	41 - 42 - 46 - 47	CP047145
		45 - 50 - 51 - 52 - 53 - 57 - Biomulch	CP053145

Galaxy - Akita - Spartan

Machines produced after 01/11/2004
Serial number major of 04085000

THROTTLE CABLE board, valid for push and self propelled models (?-TAB-AC)			
ENGINE		GX - AK - SP MODELS	CABLE CODE
Honda	GCV 135 - GCV 160	41 - 42 - 46 - 47	CP047142
		45 - 50 - 51 - 52 - 53 - 57 - Biomulch	CP053142
	GXV 140	56 VV	CP056143
B&S	Classic - Quattro	50 - 56 - 57	CP047143
		400 B	CP047142
		41 - 42	CP047143
	XTS	46 - 47	CP047141
		45 - 52 - 53 - Biomulch	CP050143
		45 - 46 - 47 - 51 - 52 - 53 - Biomulch	CP047143
Tecumseh	Vantage - Prisma - Centura	50 - 57	CP047141
		56 VV	CP050143
		40 - 400	CP040142
		41 - 42 - 46 - 47	CP047142
		45 - 50 - 51 - 52 - 53 - 57 - Biomulch	CP053142



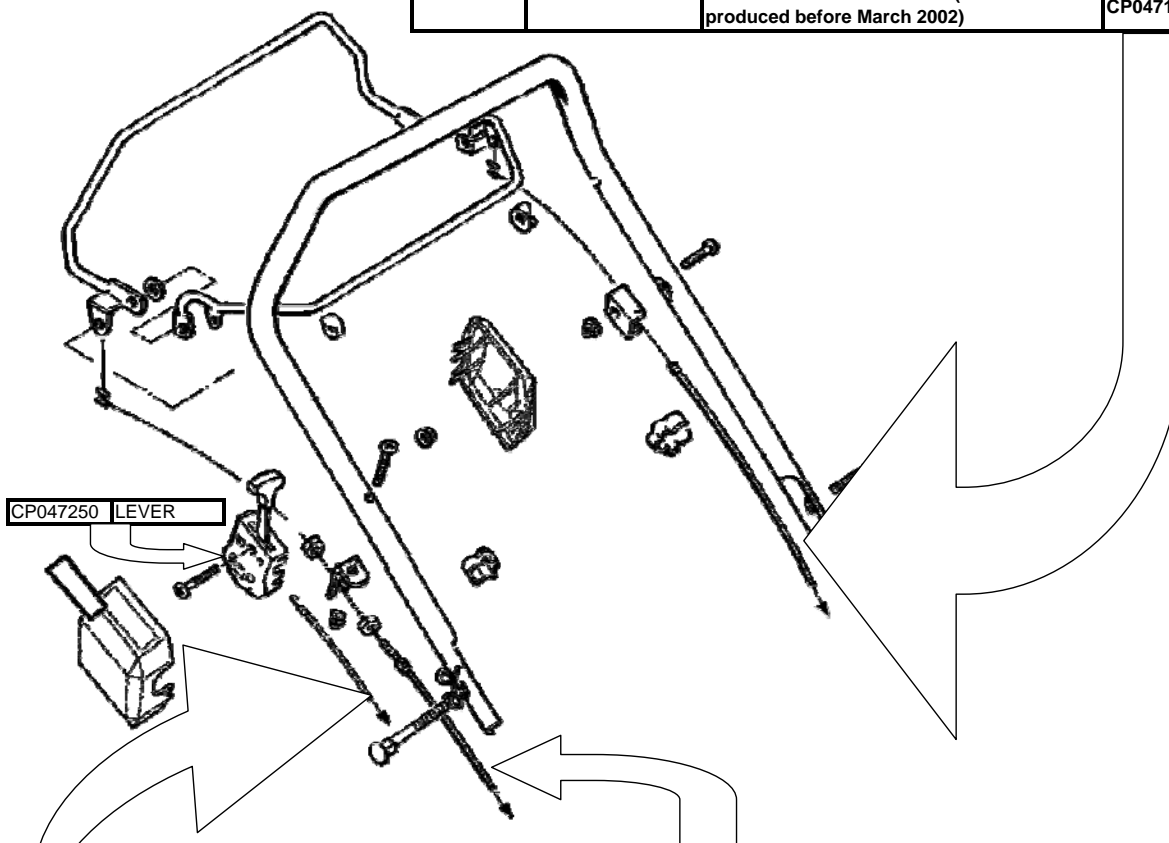
BRAKE CABLE board, valid for push and self propelled models (?-TAB-FR)			
ENGINE		GX - AK - SP MODELS	CABLE CODE
Honda	GCV 135 - GCV 160 - GXV 140	41 - 42 - 45 - 46 - 47 - 52 - 53 - 50 - 51 - 56 - 57	CP052149
		Biomulch	
		56 VV	CP052146
B&S	Classic - Quattro	40 - 400	CP040148
		41 - 42 - 45 - 46 - 47	CP046148
	XTS	45 - 50 52 - 53 - Biomulch	CP046149
		41 - 42 - 45 - 46 - 47 - 51 - 52 - 53 - Biomulch	CP046148
Tecumseh	Vantage - Prisma - Centura	50 - 56 - 56 VV - 57	CP046149
		40 - 400	CP046149
		41 - 42 - 45 - 46 - 47 - 52 - 53	CP052148

Galaxy - Akita - Spartan

machines produced before 01/11/2004

Serial number inferior to 04085000

BRAKE CABLE board, valid for push and self propelled machines (?-TAB-FR)			
ENGINE		GT MODELS	CABLE CODE
Honda	GCV 135 - GCV 160 - GXV 140	41 - 42 - 45 - 46 - 47 - 52 - 53 - 50 - 51 - 56 - 57 Biomulch	CP042148
		56 VV	CP056148
B&S	Classic - Quattro	40 - 400	CP040148
		41 - 42 - 45 - 46 - 47 45 - 50 52 - 53 - Biomulch	CP047148 CP050148
	XTS	41 - 42 - 45 - 46 - 47 - 51 - 52 - 53 - Biomulch	CP047148
		50 - 56 - 56 VV - 57	CP050148
Tecumseh	Vantage - Prisma - Centura	40 - 400 (machines produced after 2001)	CP050148
		400 (machines produced before 2002)	CP056148
		41 - 42 - 45 - 46 - 47 - 52 - 53 (machines produced after March 2002)	CP056149
		41 - 42 - 45 - 46 - 47 - 52 - 53 (machines produced before March 2002)	CP047146



CP050139	Traction cable for machines produced after Sept.1996	
CP050138	Traction cable for machines produced before Sept.1996	
CP047138	Traction cable for machines produced before Sept.1996	

THROTTLE CABLE board, valid for push and self propelled machines (?-TAB-AC)			
ENGINE		GX - AK - SP MODELS	CABLE CODE
Honda	GCV 135 - GCV 160 GXV 140	41 - 42 - 46 - 47	CP047142
		45 - 50 - 51 - 52 - 53 - 57 - Biomulch	CP053142
		56 VV	CP056143
B&S	Classic - Quattro	50 - 56 - 57	CP047143
		400 B	CP047142
		41 - 42 46 - 47	CP047143 CP047141
	XTS	45 - 52 - 53 - Biomulch	CP050143
		45 - 46 - 47 - 51 - 52 - 53 - Biomulch	CP047143
		50 - 57 56 VV	CP047141 CP050143
Tecumseh	Vantage - Prisma - Centura	40 - 400	CP040142
		41 - 42 - 46 - 47	CP047142
		45 - 50 - 51 - 52 - 53 - 57 - Biomulch	CP053142

**MA.RI.NA SYSTEMS SRL**

Via F. Baracca, 3 - 24034 Cisano Bergamasco (BG)
 P. Iva e Cod. fisc. 01957120130 Capitale sociale 1.000.000.000 i.v.
 C.C.I.A.A. Lecco N° 230069 - Tribunale di Lecco N° 12042
 Tel. 035-787774 ra - Fax 035-787761



Ultimo aggiornamento: 04 Novembre 2004

?-TAB-FR-NT Tabella cavi freno ----> SOLO PER MACCHINE PRODOTTE DOPO IL 01/11/2004 (PROGRESSIVO > 0408500)

Codice	Descrizione	Scocca	Motore
CP040148	Cavo freno L=940	40 - 400	B&S Classic, Quattro 40
CP046148	Cavo freno L=1025	41 - 42	Cinese
		41 - 42 - 45 - 46 - 47	B&S Classic, Quattro 40, XTS; Honda GV100 NT
		51 - 52 - 53 - Biomulch	B&S XTS
CP046149	Cavo freno L=1070	46 - 47	Cinese
		50 - 56 - 56VV - 57	B&S XTS
		45 - 50 - 52 - 53 - Biomulch	B&S Classic, Quattro 40
		40 - 400	Tecna Vantage, Prisma
CP052146	Cavo freno L=1120	56VV	Honda GCV 160 - GXV 140
		400 (solo x ricambi)	TecnaVantage V.T. < 01/2002
CP052148	Cavo freno L=1140	41 - 42 - 45 - 46 - 47 - 52- 53	Tecna Vantage, Prisma, Centura - NUOVO TIPO - (>= 03/2002)
CP052149	Cavo freno L=1245	42 - 45 - 46 - 47 - 52 - 53 - 50 - 51 - 56 - 57 - Biomulch	Honda GCV 135 - GCV 160 - GXV 140
CP052147	Cavo freno L=1330		

?-TAB-FR Tabella cavi freno ----> SOLO PER MACCHINE PRODOTTE PRIMA DEL 01/11/2004 (PROGRESSIVO < 0408500)

Codice	Descrizione	Scocca	Motore
CP040148	Cavo freno L=940	40 - 400	B&S Classic, Quattro 40
CP047148	Cavo freno L=1025	41 - 42 - 45 - 46 - 47	B&S Classic, Quattro 40, XTS; Honda GV100 NT
		51 - 52 - 53 - Biomulch	B&S XTS
CP050148	Cavo freno L=1070	50 - 56 - 56VV - 57	B&S XTS
		45 - 50 - 52 - 53 - Biomulch	B&S Classic, Quattro 40
		40 - 400	Tecna Vantage, Prisma
CP056148	Cavo freno L=1120	56VV	Honda GCV 160 - GXV 140
		400 (solo x ricambi)	TecnaVantage V.T. < 01/2002
CP056149	Cavo freno L=1140	41 - 42 - 45 - 46 - 47 - 52- 53	Tecna Vantage, Prisma, Centura - NUOVO TIPO - (>= 03/2002)
CP042148	Cavo freno L=1245 (uscita lunga)	42 - 45 - 46 - 47 - 52 - 53 - 50 - 51 - 56 - 57 - Biomulch	Honda GCV 135 - GCV 160 - GXV 140
CP047146	Cavo freno L=1245 (uscita corta)	41 - 42 - 45 - 46 - 47 - 52- 53 (solo x ricambi)	Tecna Vantage, Prisma, Centura - VECCHIO TIPO - (< 03/2002)

**MA.RI.NA SYSTEMS SRL**

Via F. Baracca, 3 - 24034 Cisano Bergamasco (BG)
 P. Iva e Cod. fisc. 01957120130 Capitale sociale 1.000.000.000 i.v.
 C.C.I.A.A. Lecco N° 230069 - Tribunale di Lecco N° 12042
 Tel. 035-787774 ra - Fax 035-787761



Ultimo aggiornamento: 04 Novembre 2004

?-TAB-AC Tabella cavi acceleratore

Codice	Descrizione	Scocca	Motore
CP040142	Cavo acceleratore L=940	40 - 400 - S390B	Tecna Vantage
CP047142	Cavo acceleratore L=1025	400 B	Classic
		41 - 42 - 46 - 47	Tecna Vantage,Prisma,Centura; Honda GCV135,GCV160,GXV140,GV 100
CP053142	Cavo acceleratore L=1085 (EX L=1070)	41 - 42	Cinese
		45 - 50 - 51 - 52 - 53 - 57 - Biomulch - S390H	Tecna Vantage, Prisma, Centura; Honda GCV 135, GCV 160, GXV 140
CP047143	Cavo acceleratore L=1160	46 - 47	Cinese
		41 - 42	B&S Classic, Quattro 40
		45 - 46 - 47 - 51 - 52 - 53 - Biomulch	B&S XTS
		56 - 57	Honda GCV 160
CP047141	Cavo acceleratore L=1180	46 - 47	B&S Classic, Quattro 40
		50 - 57	B&S XTS
CP050143	Cavo acceleratore L=1220	45 - 52 - 53 - Biomulch	Classic, Quattro 40
		56VV	B&S XTS
CP056143	Cavo acceleratore L=1330	56VV	Honda GCV 135, GCV 160 , GXV 140

?-TAB-AC-PC Tabella cavi acceleratore - VERSIONE CON PLANCIA DI COMANDO

CP047145	Cavo acceleratore L=1010 U=80	Corrisponde al cavo acceleratore L= 1025 - Codice CP047142
CP053145	Cavo acceleratore L=1065 U=80 (EX L=1050)	Corrisponde al cavo acceleratore L= 1070 - Codice CP053142
CP050145	Cavo acceleratore L=1160 U=80	Corrisponde ai cavi acceleratore L= 1160 e L= 1180 - Codici CP047143 e CP047141
CP057145	Cavo acceleratore L=1200 U=80	Corrisponde al cavo acceleratore L= 1220 - Codice CP050143
CP056145	Cavo acceleratore L=1310 U=80	Corrisponde al cavo acceleratore L= 1330 - Codice CP056143
<i>N.B. Z larga uscita bussola, Z normale uscita motore</i>		



MA.RI.NA SYSTEMS SRL

Via F. Baracca, 3 - 24034 Cisano Bergamasco (BG)

P. Iva e Cod. fisc. 01957120130 Capitale sociale 1.000.000.000 i.v.

C.C.I.A.A. Lecco N° 230069 - Tribunale di Lecco N° 12042

Tel. 035-787774 ra - Fax 035-787761

e-mail info@marinasystems.it - Internet http://www.marinasystems.it

Ricambi originali

Cavi montati su rasaerba

09-nov-99

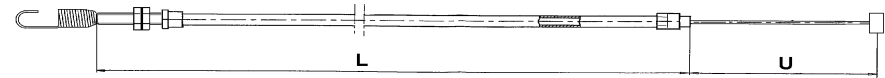
CAVI SEMOVENZA

Codice	Descrizione	Misura			Validità	
		L	U	Tipo	dal	al
CP047138	CAVO (MOLLA + BARILOTTO)	1390	175	A		set-96
CP050138	CAVO (MOLLA + Z)	1390	185	B		set-96
CP050139	CAVO (SENZA MOLLA + Z)	1390	220	C	set-96	
CP053138	CAVO PER 53 2V	Esecuzione speciale				
CP056138	CAVO PER 50-56 3V	Esecuzione speciale				

CAVI FRENO

Codice	Descrizione	Misura		
		Tipo	L	U
CP040148	CAVO FRENO	940	950	201
CP042148	CAVO FRENO USCITA LUNGA	1245	1225	201
CP047146	CAVO FRENO USCITA CORTA	1245	1225	195
CP047148	CAVO FRENO	1025	1005	201
CP050146	CAVO FRENO	1330	1340	201
CP050148	CAVO FRENO	1070	1050	201
CP056146	CAVO PER 50/56 3V	Esecuzione speciale		
CP056147	CAVO PER BBC	Esecuzione speciale		
CP056148	CAVO FRENO	1120	1120	201
CP058146	CAVO RUOTE SGORBIO	Esecuzione speciale		
CP058148	CAVO MOTORE SGORBIO	Esecuzione speciale		

Tipo A



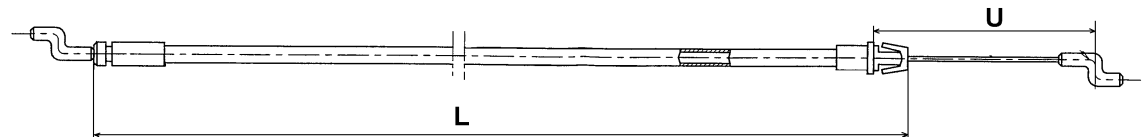
Tipo B



Tipo C



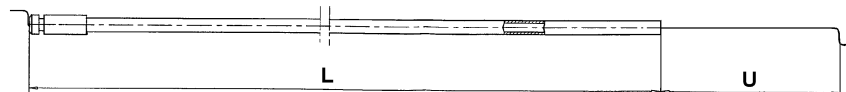
Tipo standard



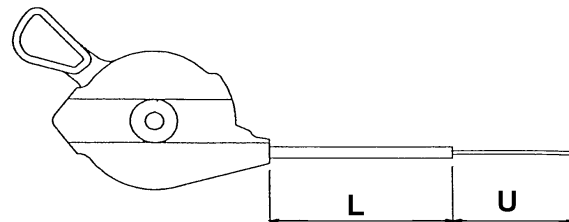
CAVI ACCELERATORE

Codice	Descrizione	Misura			Validità	
		Tipo	L	U	dal	al
CP040142	CAVO PER MANETTINO	940	940	60		
CP042142	CAVO PER MANETTINO	1000	1000	60		
CP047141	CAVO PER MANETTINO	1180	1180	60		
CP047142	CAVO PER MANETTINO	1025	1025	60		
CP047143	CAVO PER MANETTINO	1160	1160	60		
CP047145	CAVO PER PLANCIA	1010	1010	80	nov-99	
CP050142	CAVO PER MANETTINO	1125	1125	60		
CP050143	CAVO PER MANETTINO	1225	1225	60		
CP050145	CAVO PER PLANCIA	1160	1160	80	nov-99	
CP053142	CAVO PER MANETTINO	1070	1070	60		
CP053145	CAVO PER PLANCIA	1050	1050	80	nov-99	
CP056143	CAVO PER MANETTINO	1330	1330	60		
CP056145	CAVO PER PLANCIA	1310	1310	80	nov-99	
CP058142	CAVO PER SGORBIO	350	350	60		
CP047144	CAVO CON MANETTINO CAPRO	1025	60	Capro		feb-97
CP050144	CAVO CON MANETTINO CAPRO	1125	60	Capro		feb-97
CP056144	CAVO CON MANETTINO CAPRO	1330	60	Capro		feb-97

Tipo standard



Tipo Capro



CAVI VARIATORE

Codice	Descrizione	Misura			Validità	
		L	U	Tipo	dal	al
CP056153	CAVO VARIATORE 50/56	1520	100	gommino		

CAVI CAMBIO

Codice	Descrizione	Misura			Validità	
		L	U	Tipo	dal	al
CP053153	CAVO CAMBIO 53 2V				Esecuzione speciale	
CP056154	CAVO CAMBIO 50-56 3V				Esecuzione speciale	



MA.RI.NA SYSTEMS SRL

Via F. Baracca, 3 - 24034 Cisano Bergamasco (BG)

P. Iva e Cod. fisc. 01957120130 Capitale sociale 1.000.000.000 i.v.

C.C.I.A.A. Lecco N° 230069 - Tribunale di Lecco N° 12042

Tel. 035-787774 ra - Fax 035-787761

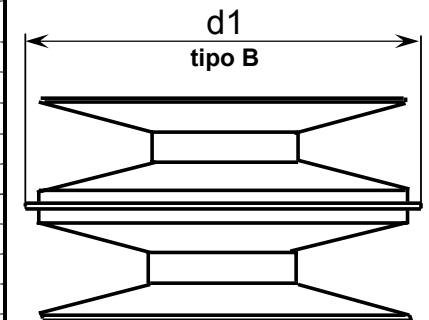
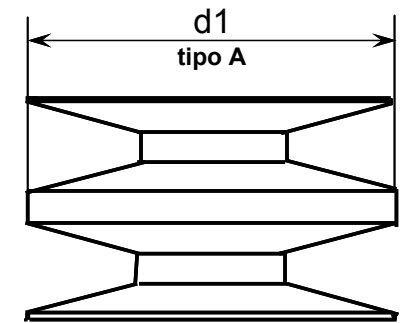
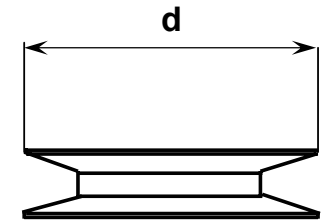
e-mail info@marinasystems.it - Internet http://www.marinasystems.it

Ricambi originali

Cinghie montate su rasaerba semoventi

03-mar-05

Modello Rasaerba	Codice	Descrizione	Validità		Diametro esterno puleggia motore	Diametro esterno puleggia riduttore	Diametro esterno puleggia variabile
			dal	al	d = mm	d = mm	d1 = mm
42 S	CP047826	CINGHIA Z 27 OPTIBELT (EX Z 26)			55	55	
45 S	CP047829	CINGHIA Z 29 1/2 OPTIBELT / ROLLER			55	55	
46 S	CP047827	CINGHIA Z 27 1/2 POPTIBELT / ROLLER			55	55	
47 S	CP047827	CINGHIA Z 27 1/2 POPTIBELT / ROLLER			55	55	
50 S	CP047831	CINGHIA Z 31 1/2 OPTIBELT	feb-98	gen-98	55	55	
	CP047832	CINGHIA Z 32 V-BELT			55	60	
51 S	CP04729	CINGHIA Z 29 1/2 OPTIBELT / ROLLER			55	60	
53 S	CP047829	CINGHIA Z 29 1/2 OPTIBELT / ROLLER			55	55	
56 S	CP047833	CINGHIA Z 33 V-BELT	feb-98	gen-98	55	55	
	CP047834	CINGHIA Z 34 1/4 OPTIBELT			55	60	
56 S VV	CP047814	CINGHIA Z 14 OPTIBELT		apr-96	55	55	85 (tipo B)
	CP047824	CINGHIA Z 24 OPTIBELT		apr-96	55	55	85 (tipo B)
	CP047814	CINGHIA Z 14 OPTIBELT	mag-96	gen-98	55	55	76 (tipo A)
	CP047825	CINGHIA Z 25 1/2 V-BELT	mag-96	gen-98	55	55	76 (tipo A)
	CP047715	CINGHIA Z 15 OPTIBELT	feb-98	set-00	55	60	76 (tipo A)
	CP047716	CINGHIA Z 16 V-BELT	ott-00		55	60	76 (tipo A)
	CP047725	CINGHIA Z 25 V-BELT	feb-98		55	60	76 (tipo A)
57 S	CP047835	CINGHIA Z 35 V-BELT / ROLLER			55	60	
BIOMULCH 51 S	CP047730	CINGHIA Z 30 ROLLER			55	60	
SGORBIO	CP047836	CINGHIA FDT 900 V-BELT			55		





MA.RI.NA SYSTEMS SRL

Via F. Baracca, 3 - 24034 Cisano Bergamasco (BG)

P. Iva e Cod. fisc. 01957120130 Capitale sociale 1.000.000.000 i.v.

C.C.I.A.A. Lecco N° 230069 - Tribunale di Lecco N° 12042

Tel. 035-787774 ra - Fax 035-787761

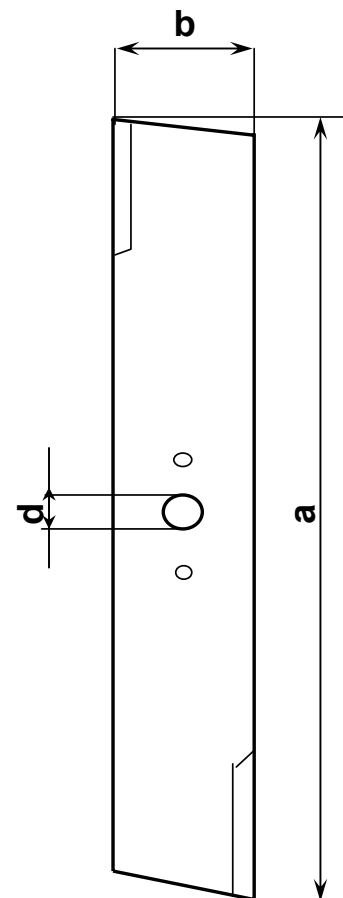
e-mail info@marinasystems.it - Internet http://www.marinasystems.it

Ricambi originali

Lame montate su rasaerba

3 marzo 2005

Modello Rasaerba	Codice	Descrizione	Misura				Validità	
			a	b	spessore	d	dal	al
32 E	CP032011	LAMA 32 E	315	40	2,5	18		
40 E	CP040010	LAMA 40 E	385	45	3	18		
40 ACCU	CP040012	LAMA 40 ACCU	385	55	3	8		
400 E	CP041010	LAMA 41 E	392	55	3	18		
41 E	CP041010	LAMA 41 E	392	55	3	18		
42 E	CP042010	LAMA 42 E	415	55	3	18	gen-96	
42 E	CP042011	LAMA 42 E V.T.	415	55	3	19		dic-95
45 SE	CP045011	LAMA 45	430	55	3	19		
46 E	CP047010	LAMA 47 E	460	55	3	18		
47 E	CP047010	LAMA 47 E	460	55	3	18	gen-96	
47 E	CP047011	LAMA 47 E V.T.	460	55	3	19		dic-95
47 SE	CP047011	LAMA 47 SE	460	55	3	19		gen-05
47 SE	CP047010	LAMA 47 E	460	55	3	18	feb-05	
53 E	CP053010	LAMA 53 E	510	55	3	18		
53 SE	CP053011	LAMA 53 SE	510	55	3	19		
40	CP040013	LAMA 40	385	55	4	10		
400	CP041013	LAMA 41	392	55	4	10		
41	CP041013	LAMA 41	392	55	4	10		
41	CP041014	LAMA 41 HONDA GV 100 V.T.	392	55	4	8	feb-97	feb-98
42	CP042013	LAMA 42	415	55	4	10		
42	CP042014	LAMA 42 HONDA GV 100 V.T.	415	55	4	8	feb-96	feb-98
45	CP045013	LAMA 45	430	55	4	10		
46	CP047013	LAMA 47	460	55	4	10		
47	CP047013	LAMA 47	460	55	4	10		
47	CP047014	LAMA 47 HONDA GV 100 V.T.	460	55	4	8	feb-96	feb-98
50	CP050012	LAMA 50 ALETTATA	475	55	4	16	gen-00	
50	CP050013	LAMA 50	475	55	4	16		gen-00
50	CP050014	LAMA 50 BBC	475	55	4	19		
51	CP051013	LAMA 51	501	55	4	10		
53	CP053012	LAMA 53 ALATTATA	510	55	4	10	solo su richiesta	
53	CP053013	LAMA 53 STANDARD	510	55	4	10		
56	CP056012	LAMA 56 ALETTATA	525	55	4	16	gen-00	
56	CP056013	LAMA 56	525	55	4	16		gen-00
56	CP056014	LAMA 56 BBC	525	55	4	19		
57	CP057013	LAMA 57	560	55	4	10	set-01	
57	CP058013	LAMA 57 ALETTATA	560	55	4	10		ago-01
BIOMULCH	CP047015	LAMA BIOMULCH 47	460	50	4	10		dic-99
BIOMULCH	EM10158240	LAMA BIOMULCH 49	490				gen-00	ott-02
BIOMULCH 51	CP051015	LAMA BIOMULCH 51	502	57	3		nov-02	
SCARICO LAT.	CP048015	LAMA SCARICO LATERALE	485	80	3	33		
SGORBIO	CP058013	LAMA TRATTORINO SGORBIO	560	55	4	10		
TQ 630	M0340020121	LAMA 63						
TQ 670	M0341020130	LAMA 67 ALETTATA					EM10301440	Codice alternativo
PICCOLO	EM10301440	LAMA 67 ALETTATA						
HYDROSTAR	EM10301440	LAMA 67 ALETTATA						
TQ 670	M0341020135	LAMA 76 ALETTATA					EM10303050	Codice alternativo
HYDROMAX	EM10303050	LAMA 76 ALETTATA						



Codice alternativo

Codice alternativo



MA.RI.NA SYSTEMS SRL

Via F. Baracca, 3 - 24034 Cisano Bergamasco (BG)
 P. Iva e Cod. fisc. 01957120130 Capitale sociale 1.000.000.000 i.v.
 C.C.I.A.A. Lecco N° 230069 - Tribunale di Lecco N° 12042
Tel. 035-787774 ra - Fax 035-787761
 e-mail info@marinasystems.it - Internet http://www.marinasystems.it

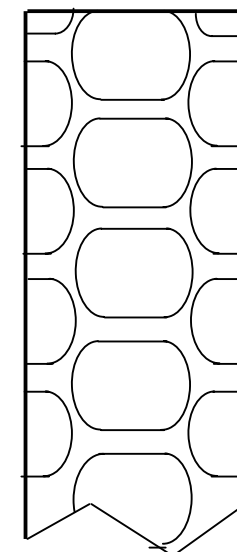
Ricambi originali

Ruote montate su rasaerba

03-mar-05

Modello Rasaerba	Codice	Descrizione	Caratteristiche			Versione
			Posizione	Diametro	Disegno	
32	CP032108	RUOTA 5"	Anteriore	125	P	fino al 12/2004
	CP032109	RUOTA 6"	Posteriore	150	P	fino al 12/2004
	CP033108	RUOTA 5"	Anteriore	125	P	dal 01/2005
	CP033109	RUOTA 6"	Posteriore	150	P	dal 01/2005
40	CP032109	RUOTA 6"	Anteriore	150	P	fino al 12/2004
	CP040109	RUOTA 7"	Posteriore	170	P	fino al 12/2004
	CP033109	RUOTA 6"	Anteriore	150	P	dal 01/2005
	CP040108	RUOTA 7"	Posteriore	170	P	dal 01/2005
400	CP041106	RUOTA ECO	Anteriore	150	R	Tutte
	CP041106	RUOTA ECO	Posteriore	150	R	Tutte
41 (SP)	CP042109	RUOTA CON BOCCOLE	Anteriore	150	R	Tutte
	CP047109	RUOTA CON BOCCOLE	Posteriore	180	R	Tutte
	CP042106	RUOTA CON CUSCINETTO	Anteriore	150	T	A richiesta
	CP050106	RUOTA CON CUSCINETTO	Posteriore	180	T	A richiesta
41-42 (GX-GT)	CP042109	RUOTA CON BOCCOLE	Anteriore	150	R	Spartan
	CP047109	RUOTA CON BOCCOLE	Posteriore	180	R	Spartan
	CP042106	RUOTA CON CUSCINETTO	Anteriore	150	T	Galaxy
	CP050106	RUOTA CON CUSCINETTO	Posteriore	180	T	Galaxy
	CP042108	RUOTA CON CUSCINETTO	Anteriore	150	P	Greenteam
	CP050108	RUOTA CON CUSCINETTO	Posteriore	180	P	Greenteam
42 S	CP042106	RUOTA CON CUSCINETTO	Anteriore	150	T	Galaxy
	CP050116	RUOTA SEMOVENTECON CUSCINETTO	Posteriore	200	T	Galaxy
	CP042108	RUOTA CON CUSCINETTO	Anteriore	150	P	Greenteam
	CP050118	RUOTA SEMOVENTECON CUSCINETTO	Posteriore	200	P	Greenteam
45	CP050106	RUOTA CON CUSCINETTO	Anteriore	180	T	Galaxy
	CP050110	RUOTA CON CUSCINETTO	Posteriore	200	T	Galaxy
	CP050108	RUOTA CON CUSCINETTO	Anteriore	180	P	Greenteam
	CP050112	RUOTA CON CUSCINETTO	Posteriore	200	P	Greenteam

Disegno P





MA.RI.NA SYSTEMS SRL

Via F. Baracca, 3 - 24034 Cisano Bergamasco (BG)

P. Iva e Cod. fisc. 01957120130 Capitale sociale 1.000.000.000 i.v.

C.C.I.A.A. Lecco N° 230069 - Tribunale di Lecco N° 12042

Tel. 035-787774 ra - Fax 035-787761

e-mail info@marinasystems.it - Internet http://www.marinasystems.it

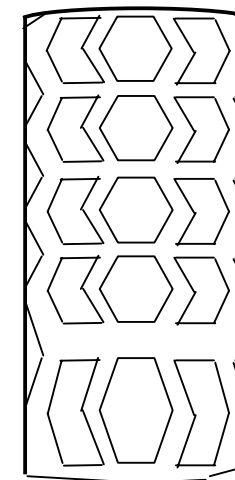
Ricambi originali

Ruote montate su rasaerba

03-mar-05

45 S	CP050106	RUOTA CON CUSCINETTO	Anteriore	180	T	Galaxy
	CP050116	RUOTA SEMOVENTECON CUSCINETTO	Posteriore	200	T	Galaxy
	CP050108	RUOTA CON CUSCINETTO	Anteriore	180	P	Greenteam
	CP050118	RUOTA SEMOVENTECON CUSCINETTO	Posteriore	200	P	Greenteam
46	CP042109	RUOTA CON BOCCOLE	Anteriore	150	R	Tutte
	CP047109	RUOTA CON BOCCOLE	Posteriore	180	R	Tutte
	CP042106	RUOTA CON CUSCINETTO	Anteriore	150	T	A richiesta
	CP050106	RUOTA CON CUSCINETTO	Posteriore	180	T	A richiesta
46 S	CP047109	RUOTA CON BOCCOLE	Anteriore	180	R	Spartan
	CP050116	RUOTA SEMOVENTECON CUSCINETTO	Posteriore	200	T	Spartan
	CP050106	RUOTA CON CUSCINETTO	Anteriore	180	T	Galaxy
	CP050116	RUOTA SEMOVENTECON CUSCINETTO	Posteriore	200	T	Galaxy
47	CP042109	RUOTA CON BOCCOLE	Anteriore	150	R	Spartan
	CP047109	RUOTA CON BOCCOLE	Posteriore	180	R	Spartan
	CP050106	RUOTA CON CUSCINETTO	Anteriore	180	T	Galaxy
	CP050110	RUOTA CON CUSCINETTO	Posteriore	200	T	Galaxy
	CP050108	RUOTA CON CUSCINETTO	Anteriore	180	P	Greenteam
	CP050112	RUOTA CON CUSCINETTO	Posteriore	200	P	Greenteam
	CP047113.98	RUOTE ZINCATA CON CUSCINETTI	Anteriore	180	T	Tutti
	CP053113.98	RUOTE ZINCATA CON CUSCINETTI	Posteriore	208	T	Tutti
47 S	CP047109	RUOTA CON BOCCOLE	Anteriore	180	R	Spartan
	CP050116	RUOTA SEMOVENTECON CUSCINETTO	Posteriore	200	T	Spartan
	CP050106	RUOTA CON CUSCINETTO	Anteriore	180	T	Galaxy
	CP050116	RUOTA SEMOVENTECON CUSCINETTO	Posteriore	200	T	Galaxy
	CP050108	RUOTA CON CUSCINETTO	Anteriore	180	P	Greenteam
	CP050118	RUOTA SEMOVENTECON CUSCINETTO	Posteriore	200	P	Greenteam
	CP047113.98	RUOTE ZINCATA CON CUSCINETTI	Anteriore	180	T	Tutti
	CP053123.98	RUOTE SEMOVENTE ZINCATA CUSCIN.	Posteriore	208	T	Tutti
50	CP050106	RUOTA CON CUSCINETTO	Anteriore	180	T	Galaxy
	CP050116	RUOTA CON CUSCINETTO	Posteriore	230	T	Galaxy
	CP050108	RUOTA CON CUSCINETTO	Anteriore	180	P	Greenteam
	CP050118	RUOTA CON CUSCINETTO	Posteriore	230	P	Greenteam
50 S	CP050106	RUOTA CON CUSCINETTO	Anteriore	180	T	Galaxy
	CP056116	RUOTA SEMOVENTECON CUSCINETTO	Posteriore	230	T	Galaxy
	CP050108	RUOTA CON CUSCINETTO	Anteriore	180	P	Greenteam

Disegno T





MA.RI.NA SYSTEMS SRL

Via F. Baracca, 3 - 24034 Cisano Bergamasco (BG)
 P. Iva e Cod. fisc. 01957120130 Capitale sociale 1.000.000.000 i.v.
 C.C.I.A.A. Lecco N° 230069 - Tribunale di Lecco N° 12042

Tel. 035-787774 ra - Fax 035-787761

e-mail info@marinasystems.it - Internet http://www.marinasystems.it

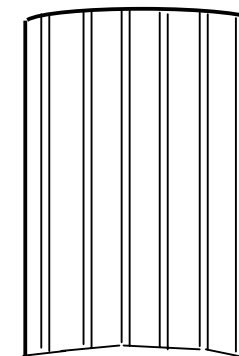
Ricambi originali

Ruote montate su rasaerba

03-mar-05

	CP056118	RUOTA SEMOVENTECON CUSCINETTO	Posteriore	230	P	Greenteam
51 S	CP050106	RUOTA CON CUSCINETTO	Anteriore	180	T	Galaxy
	CP056116	RUOTA SEMOVENTECON CUSCINETTO	Posteriore	230	T	Galaxy
	CP050108	RUOTA CON CUSCINETTO	Anteriore	180	P	Greenteam
	CP056118	RUOTA SEMOVENTECON CUSCINETTO	Posteriore	230	P	Greenteam
52/53	CP050106	RUOTA CON CUSCINETTO	Anteriore	180	T	Galaxy
	CP050110	RUOTA CON CUSCINETTO	Posteriore	200	T	Galaxy
	CP050108	RUOTA CON CUSCINETTO	Anteriore	180	P	Greenteam
	CP050112	RUOTA CON CUSCINETTO	Posteriore	200	P	Greenteam
	CP047113.98	RUOTE ZINCATA CON CUSCINETTI	Anteriore	180	T	Tutti
	CP053113.98	RUOTE ZINCATA CON CUSCINETTI	Posteriore	208	T	Tutti
52 S - 53 S	CP050106	RUOTA CON CUSCINETTO	Anteriore	180	T	Galaxy
	CP050116	RUOTA SEMOVENTECON CUSCINETTO	Posteriore	200	T	Galaxy
	CP050108	RUOTA CON CUSCINETTO	Anteriore	180	P	Greenteam
	CP050118	RUOTA SEMOVENTECON CUSCINETTO	Posteriore	200	P	Greenteam
	CP047113.98	RUOTE ZINCATA CON CUSCINETTI	Anteriore	180	T	Tutti
	CP053123.98	RUOTE SEMOVENTE ZINCATA CUSCIN.	Posteriore	208	T	Tutti
56 S	CP050106	RUOTA CON CUSCINETTO	Anteriore	180	T	Galaxy
	CP056116	RUOTA SEMOVENTECON CUSCINETTO	Posteriore	230	T	Galaxy
	CP050108	RUOTA CON CUSCINETTO	Anteriore	180	P	Greenteam
	CP056118	RUOTA SEMOVENTECON CUSCINETTO	Posteriore	230	P	Greenteam
	CP056113	RUOTA ALLUMINIO	Anteriore	180	P	Ruote alu
	CP056123	RUOTA ALLUMINIO SEMOVENTE	Posteriore	245	P	Ruote alu
57 S	CP050106	RUOTA CON CUSCINETTO	Anteriore	180	T	Galaxy
	CP056116	RUOTA SEMOVENTECON CUSCINETTO	Posteriore	230	T	Galaxy
	CP050108	RUOTA CON CUSCINETTO	Anteriore	180	P	Greenteam
	CP056118	RUOTA SEMOVENTECON CUSCINETTO	Posteriore	230	P	Greenteam
	CP056113	RUOTA ALLUMINIO	Anteriore	180	P	Ruote alu
	CP056123	RUOTA ALLUMINIO SEMOVENTE	Posteriore	245	P	Ruote alu
	CP047113.98	RUOTE ZINCATA CON CUSCINETTI	Anteriore	180	T	Tutti
	CP053123.98	RUOTE SEMOVENTE ZINCATA CUSCIN.	Posteriore	208	T	Tutti

Disegno R





MA.RI.NA SYSTEMS SRL

Via F. Baracca, 3 - 24034 Cisano Bergamasco (BG)

P. Iva e Cod. fisc. 01957120130 Capitale sociale 1.000.000.000 i.v.

C.C.I.A.A. Lecco N° 230069 - Tribunale di Lecco N° 12042

Tel. 035-787774 ra - Fax 035-787761

e-mail info@marinasystems.it - Internet <http://www.marinasystems.it>

Ricambi originali

Ruote montate su rasaerba

03-mar-05

Scarico Later.	CP050106	RUOTA CON CUSCINETTO	Anteriore	180	T	Tutti
	CP050106	RUOTA CON CUSCINETTO	Posteriore	180	T	Tutti
Biomulch 47	CP050108	RUOTA CON CUSCINETTO	Anteriore	180	T	Greenteam
	CP050112	RUOTA CON CUSCINETTO	Posteriore	200	T	Greenteam
Biomulch 47 S	CP050108	RUOTA CON CUSCINETTO	Anteriore	180	P	Greenteam
	CP050118	RUOTA SEMOVENTECON CUSCINETTO	Posteriore	200	P	Greenteam
Biomulch 49	EM10120084	RUOTA CON CUSCINETTI	Anteriore	170		Tutti
	EM10120064	RUOTA CON CUSCINETTI	Posteriore	190		Tutti
Biomulch 51	CP050106	RUOTA CON CUSCINETTO	Anteriore	180	T	Galaxy
	CP050110	RUOTA CON CUSCINETTO	Posteriore	200	T	Galaxy
	CP050108	RUOTA CON CUSCINETTO	Anteriore	180	P	Greenteam
	CP050112	RUOTA CON CUSCINETTO	Posteriore	200	P	Greenteam
Biomulch 51 S	CP050106	RUOTA CON CUSCINETTO	Anteriore	180	T	Galaxy
	CP050116	RUOTA SEMOVENTECON CUSCINETTO	Posteriore	200	T	Galaxy
	CP050108	RUOTA CON CUSCINETTO	Anteriore	180	P	Greenteam
	CP050118	RUOTA SEMOVENTECON CUSCINETTO	Posteriore	200	P	Greenteam
Sgorbio	CP058106	RUOTA PNEUMATICA	Anteriore	270		
	CP058116	RUOTA PNEUMATICA	Posteriore	270		



MA.RI.NA SYSTEMS SRL

Via F. Baracca, 3 - 24034 Cisano Bergamasco (BG)
P. Iva e Cod. fisc. 01957120130 Capitale sociale 1.000.000.000 i.v.
C.C.I.A.A. Lecco N° 230069 - Tribunale di Lecco N° 12042
Tel. 035-787774 ra - Fax 035-787761
e-mail info@marinasystems.it - Internet <http://www.marinasystems.it>

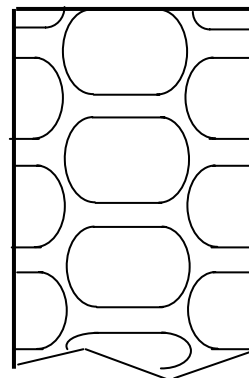
Ricambi originali

Ruote per rasaerba

03/03/2005

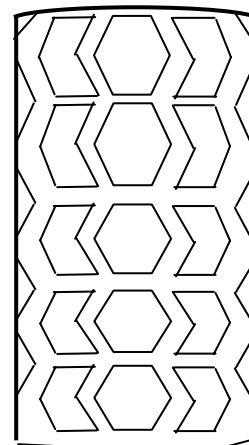
Codice	Descrizione	Diametro
CP032108	RUOTA 5"	125
CP032109	RUOTA 6"	150
CP040109	RUOTA 7"	170
CP042108	RUOTA CON CUSCINETTO	150
CP050108	RUOTA CON CUSCINETTO	180
CP050112	RUOTA CON CUSCINETTO	200
CP050118	RUOTA SEMOVENTECON CUSCINETTO	200
CP056118	RUOTA SEMOVENTECON CUSCINETTO	230
CP056113	RUOTA ALLUMINIO	180
CP056123	RUOTA ALLUMINIO SEMOVENTE	245

Disegno P



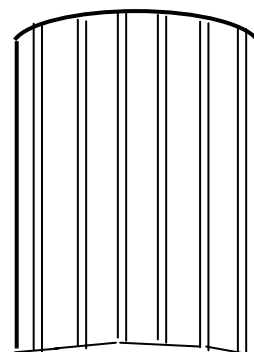
Codice	Descrizione	Diametro
CP042106	RUOTA CON CUSCINETTO	150
CP050106	RUOTA CON CUSCINETTO	180
CP050110	RUOTA CON CUSCINETTO	200
CP050116	RUOTA CON CUSCINETTO SEMOVENTE	200
CP047113.98	RUOTA ZINCATA CON CUSCINETTO	200
CP053113.98	RUOTA ZINCATA CON CUSCINETTO	208
CP053123.98	RUOTA ZINCATA SEMOV. CUSCIN.	208

Disegno T



Codice	Descrizione	Diametro
CP041106	RUOTA ECO	150
CP042109	RUOTA CON BOCCOLE	150
CP047109	RUOTA CON BOCCOLE	180

Disegno R





MA.RI.NA SYSTEMS SRL

Via F. Baracca, 3 - 24034 Cisano Bergamasco (BG)

P. Iva e Cod. fisc. 01957120130 Capitale sociale 1.000.000.000 i.v.

C.C.I.A.A. Lecco N° 230069 - Tribunale di Lecco N° 12042

Tel. 035-787774 ra - Fax 035-787761

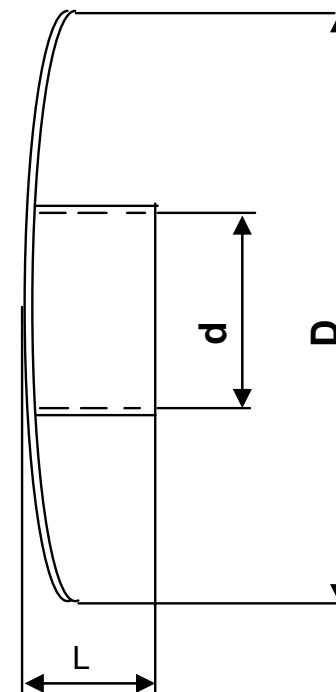
e-mail info@marinasystems.it - Internet <http://www.marinasystems.it>

Ricambi originali

Copriruota per rasaerba

03/03/2005

Codice	Descrizione	Misure			Montati sui rasaerba	
		D	d	L	dal	al
CP042127	CPPRIRUOTA D. 150	113	37	21	gen-04	
CP042128	CPPRIRUOTA D. 150	95	35	17		dic-03
CP050127	CPPRIRUOTA D. 180	134	37	21	gen-04	
CP050128	CPPRIRUOTA D. 180	114	35	20		dic-03
CP050130	CPPRIRUOTA D. 200 SPINTA	133	35	29		dic-03
CP050132	CPPRIRUOTA D. 200-230	150	37	31	gen-04	
CP050133	CPPRIRUOTA D. 200-230	152	35	23		dic-03





MA.RI.NA SYSTEMS SRL

Via F. Baracca, 3 - 24034 Cisano Bergamasco (BG)

P. Iva e Cod. fisc. 01957120130 Capitale sociale 1.000.000.000 i.v.

C.C.I.A.A. Lecco N° 230069 - Tribunale di Lecco N° 12042

Tel. 035-787774 ra - Fax 035-787761

e-mail info@marinasystems.it - Internet http://www.marinasystems.it

Ricambi originali

Viti fissaggio motore a scoppio

11/04/2001

Materiale scocca	Tipo macchina	Motore	Codice	Descrizione	Quantità
Lamiera	Spinta	XTS	CP030830	VITE TE/FR M8 X 30	2
			CP030860	VITE TE M8 X 60	1
		Tutti gli altri	CP030830	VITE TE/FR M8 X 30	3
Lamiera	Trazione	XTS	CP030840	VITE TE/FR M8 X 40	2
			CP047257	TIRANTE FILETTATO M8 X 75	1
		Honda 135	CP030840	VITE TE/FR M8 X 40	2
			CP042257	TIRANTE FILETTATO M8 X 50	1
		Tutti gli altri	CP030840	VITE TE/FR M8 X 40	3
Alluminio	50/56	XTS	CP030850	VITE TE/FR M8 X 50	2
			CP030880	VITE TE M8 X 80	1
		Tutti gli altri	CP030855	VITE TE/FR M8 X 55	3
Alluminio	45	XTS	CP030880	VITE TE M8 X 80	2
			CP030909	VITE TE M8 X 110	1
		Tutti gli altri	CP030880	VITE TE M8 X 80	3



MA.RI.NA SYSTEMS SRL

Via F. Baracca, 3 - 24034 Cisano Bergamasco (BG)

P. Iva e Cod. fisc. 01957120130 Capitale sociale 1.000.000.000 i.v.

C.C.I.A.A. Lecco N° 230069 - Tribunale di Lecco N° 12042

Tel. 035-787774 ra - Fax 035-787761

e-mail info@marinasystems.it - Internet <http://www.marinasystems.it>

Ricambi originali

Condensatori per motori elettrici

Ultimo aggiornamento 03/03/05

Costruttore motore	Potenza motore	Designazione motore	Codice motore	Designazione condensatore	Codice condensatore	NOTE
Leroy Somer	800 W	D25PF-25/2	CP017080F	10 µF 450 V	CP019810	
Leroy Somer	900 W	D25PF-30/2	CP017090F	10 µF 450 V	CP019810	
Leroy Somer	1100 W	D25PF-35/2	CP017100F	16 µF 450 V	CP019816	
Leroy Somer	1300 W	D25PF-45/2	CP017130F	16 µF 450 V	CP019816	
Leroy Somer	1600 W	D25PF-55/2	CP017160F	20 µF 450 V	CP019820	
Leroy Somer	1600 W	D25P(F)-65/2	CP017165F	25 µF 450 V	CP019825	ALBERO LUNGO PER TOSAERBA A TRAZIONE
Leroy Somer	1800 W	D25PF-65/2	CP017180F	25 µF 450 V	CP019825	
Leroy Somer	1800 W	D25P(F)-75/2	CP017185F	25 µF 450 V	CP019825	ALBERO LUNGO D.22 PER TOSAERBA A TRAZIONE
ATB	800 W	379390	CP017080F	12 µF 450 V	CP019812	
ATB	1100 W	379400	CP017100F	12 µF 450 V	CP019812	
ATB	1300 W	386150	CP017130F	16 µF 450 V	CP019816	
ATB	1600 W	397410	CP017160F	16 µF 450 V	CP019816	
ATB	1700 W	387650	CP017164	16 µF 450 V	CP019817	PER SCARIFICATORE S390E
IBMEI - HLT	800 W	2-123/MA.S60	CP017080F	8 µF 450 V	CP019808	
IBMEI - HLT	1100 W	2-123/MA.S62	CP017100F	12 µF 450 V	CP019812	
HLT	1300 W	2-123/MA.S63	CP017130F	16 µF 450 V	CP019816	
HLT	1600 W	2-123/MA.S64	CP017160F	20 µF 450 V	CP019820	
HLT	1800 W	2-132/MA.S	CP017180F	20 µF 450 V	CP019820	
HLT	1600 W	2-123/MA.S68/A	CP017164	16 µF 450 V	CP019816	PER SCARIFICATORE S390E

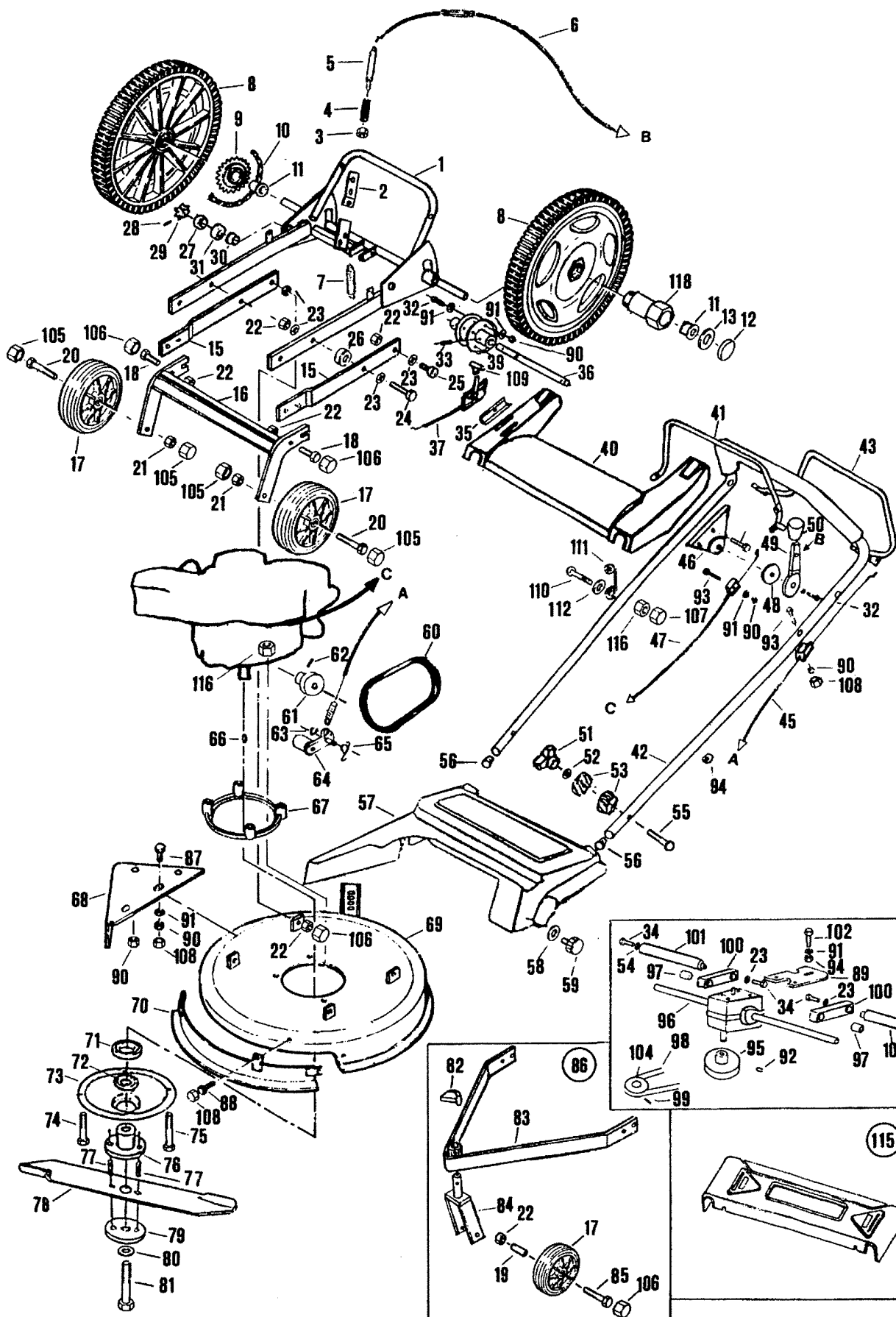
**MA.RI.NA SYSTEMS SRL**

Via F. Baracca, 3 - 24034 Cisano Bergamasco (BG)
P. Iva e Cod. fisc. 01957120130 Capitale sociale 1.000.000.000 i.v.
C.C.I.A.A. Lecco N° 230069 - Tribunale di Lecco N° 12042
Tel. 035-787774 ra - Fax 035-787761

**?-TAB-COLORI Tabella colori**

Ultimo aggiornamento: 03 Marzo 2005

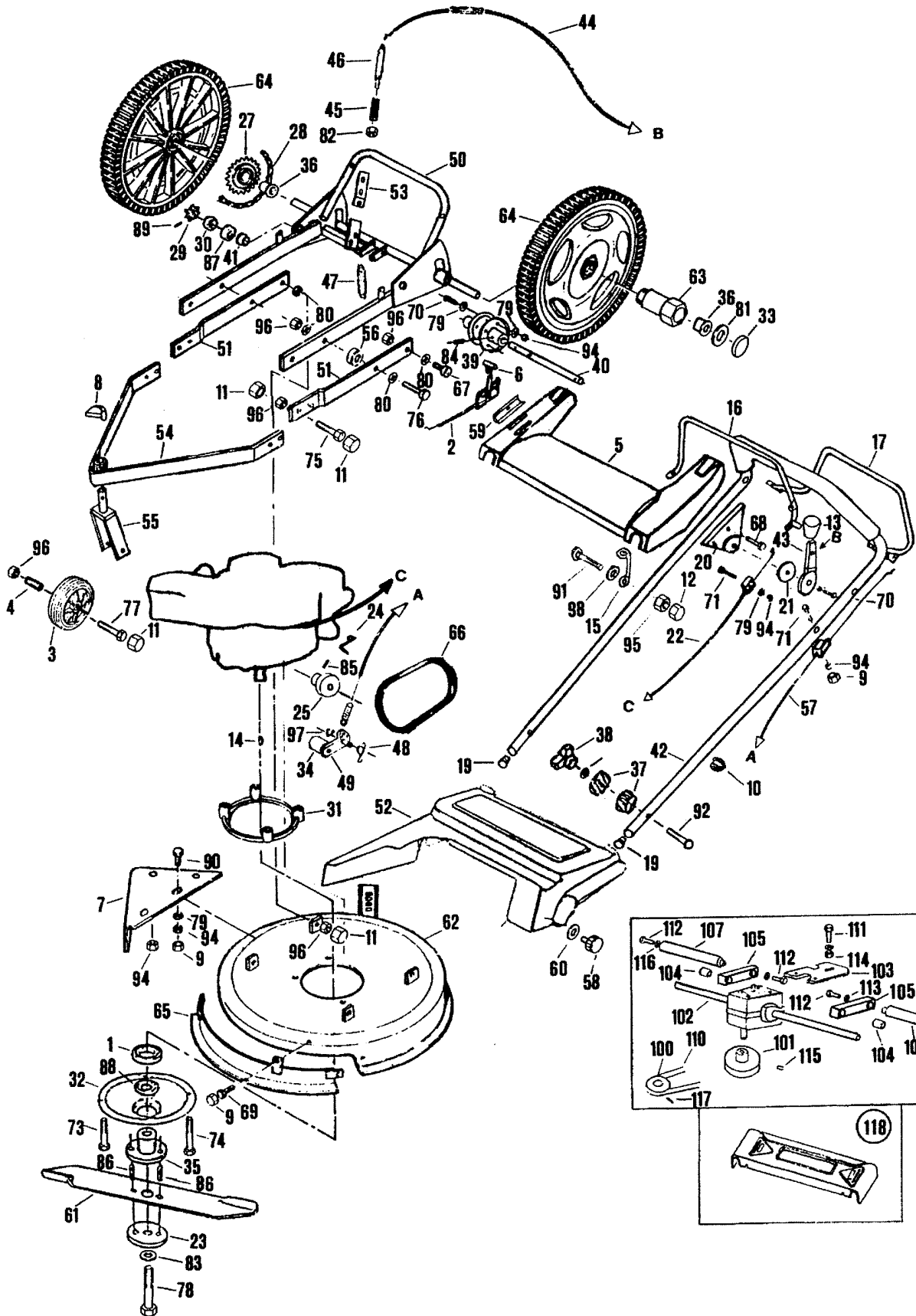
Codice	Colore	Ral	Note
CP0?????.01	VERDE	6005	ATTENZIONE: USARE SOLO PER COPRICESTO E PARASASSI
CP0?????.02	ROSSO	3000	
CP0?????.03	ARGENTO		
CP0?????.04	GIALLO	1004	
CP0?????.05	NERO		ATTENZIONE: USARE SOLO PER TELE CESTO, COPRIRUOTA, CUPOLINE, CHASSIS
CP0?????.06	BLU	5017	
CP0?????.07	GRIGIO	7035	
CP0?????.08	VERDE	6018	
CP0?????.09	ARANCIO	2002	
CP0?????.10	BIANCO		NON USARE
CP0?????.11	VERDE	6001	
CP0?????.12	TURCHESE		
CP0?????.13	GIALLO	1021	
CP0?????.14	ARANCIO		NON USARE
CP0?????.15	GIALLO	1007	
CP0?????.16	GIALLO	1018	
CP0?????.17	VERDE		NON USARE
CP0?????.18	ROSSO	3002	
CP0?????.19	VIOLA	4004	
CP0?????.20	ORO		NON USARE
CP0?????.21	ARGENTO		(H)
CP0?????.22	GRIGIO MARTELLATO		(G)
CP0?????.23	ARGENTO		(S)
CP0?????.24			NON USATO
CP0?????.25			NON USATO
CP0?????.26	GRIGIO		(D)
CP0?????.90	INOX		



DN 510 S



Part. n°	Référence n°	Designation	Part name	Bezeichnung	Descrizione	Designacion	Designação	Onderdeel	D 510 S	D 510 SH
1	72529	Chassis	Chassis	Chassis	Telaio	Chasis	Chassis	Chassis	1	1
2	72538	Chappe	Main frame yoke	Abdeckung Sporn	Soporte	Junta de Soporte	Junta de forquilha	Juk	1	1
3	Z11.12	Ecrou	Nut	Mutter	Dado	Tuerca	Porca	Moer	1	1
4	72512	Ressort	Spring	Feder	Molla	Muelle	Molla	Veer	1	1
5	72514	Doigt d'indexage	Axle	Achse	Nottolino di divisione	Claviza indicadora	Cavilha de imobilização	Indexvinger	1	1
6	72506.1	Timonerie d'indexage	Clutch control	Gestange	Commando	Cable completo	Mando embrague	Koppelingsstang	1	1
7	72516	Ressort	Spring	Feder	Molla	Muelle	Molla	Veer	1	1
8	72995	Roue	Wheel	Rueda	Ruota	Rueda	Roda	Wiel	2	2
9	71121	Roue libre D	Freewheel	Freilauf	Ruota	Rueda	Roda livre	Vrijwiel R.	1	1
	71120	Roue libre G.	Freewheel	Freilauf	Ruota	Rueda	Roda livre	Vrijwiel L.	1	1
10	71122	Chaîne	Chain	Kette	Catena	Cadena	Corrente	Ketting	2	2
11	71308	Coussinet	Ball bearing	Lager	Cuscinetto	Cojinete	Apao	Lager	4	4
12	71134	Enjolvieur à griffes	Clip	Clip	Seeger	Circlip	Calotte de garras	Wieldap	2	2
13	Z08.Z20U	Rondelle	Washer	Scheibe	Rondela	Arandela	Ring	Ring	2	2
14	Z03.8.20	Vis	Screw	Schraube	Vite	Tornillo	Parafuso	Schroef	2	2
15	72530	Barre de chassis	Crossbar	Chassisstange	Sbarra di Telaio	Barra de chassis	Barra de chassis	Framebalk	2	2
16	72532	Train avant	Front train	Trager	Treno anteriore	Tren delantero	Rodas delanteras	Voorstel	1	1
17	30601	Roue	Wheel	Rueda	Ruota	Rueda	Roda	Wiel	2	2
18	Z03.10.30	Vis	Screw	Schraube	Vite	Tornillo	Parafuso	Schroef	2	2
19	30606	Entretroise	Spacer	Distanzstück	Distanziale	Separadore	Separador	Afstandsstuk	2	2
20	Z03.12.90	Vis	Screw	Schraube	Vite	Tornillo	Parafuso	Schroef	2	2
21	Z53.12	Ecrou	Nut	Mutter	Dado	Tuerca	Porca	Moer	2	2
22	Z53.10	Ecrou	Nut	Mutter	Dado	Tuerca	Porca	Moer	2	2
23	Z08.M.10U	Rondelle	Washer	Scheibe	Rondela	Arandella	Ring	Ring	2	2
24	Z03.10.35	Vis	Screw	Schraube	Vite	Tornillo	Parafuso	Schroef	2	2
25	Z02.10.30	Entretroise	Spacer	Distanzstück	Distanziale	Separadore	Separador	Afstandsstuk	2	2
26	72547	Entretroise	Spacer	Distanzstück	Distanziale	Separadore	Separador	Afstandsstuk	2	2
27	71127	Goupille	Pin	Splint	Spina	Pasador	Pino	Pin	2	2
28	033.1.3.22	Pignon	Drive pinion	Ritzai	Ingranaggio	Pinon	Pinhao	Rondsel	2	2
29	71126	Palier	Thrust bearing	Distanzstück	Supporto	Cojinete	Apao de mancal	Lager	2	2
30	72128	Roulement	Bearing	Kugellager	Cuscinetto	Rodamiento	Rodamento	Kogelager	2	2
31	030.6001."2"	Vis	Screw	Schraube	Vite	Tornillo	Parafuso	Schroef	5	1
32	Z03.6.20	Vis	Screw	Schraube	Vite	Tornillo	Parafuso	Schroef	1	1
33	013.4.30	Goupille	Pin	Splint	Spina	Pasador	Pina	Pin	1	1
34	Z03.10.20	Vis	Screw	Schraube	Vite	Tornillo	Parafuso	Schroef	1	4
35	72554	Entretroise	Spacer	Distanzstück	Distanziale	Separadore	Separador	Afstandsstuk	1	1
36	72088	Arbre	Axle	Achse	Astina	Arbal	Eixo de roda	Wielas	1	1
37	30525	Commande d'accélération	Throttle control	Gashebelgestange	Commando	Mando	Commando	Goskabel	1	1
	38093	Commande d'accélération	Throttle control	Gashebelgestange	Commando	Mando	Commando	Goskabel	1	1
38	Z53.5	Ecrou	Nut	Mutter	Dado	Tuerca	Porca	Moer	1	1
39	72048	Demi-Poulie	Pulley	Triebrolle	Puleggia	Polea	Mei polia	1/2 Schijf	2	2
40	30835	Tableau de bord	Control panel	Instrumententafel	Cruscotto	Tableros de mando	Panel de instrumentos	Schokelpaneel	1	1
41	73400	Poignée frein-moteur	Handlebar grip	Ein/Aus Stellteil	Manopolo	Maneta	Pega	Greep	1	1
42	73410	Guidon	Handlebar	Lenker	Manico	Manillar	Guidador	Stuurstang	1	1
43	73405	Poignée d'embrayage	Clutch lever	Fahr Stellteil	Barra	Empunadura	Alavanca da embraiagem	Koppelingsgreep	1	1
44	Z03.5.60 FT	Vis	Screw	Schraube	Vite	Tornillo	Parafuso	Schroef	1	1
45	73363	Timonerie embrayage	Clutch control	Gestange	Commando	Varillage	Commando	Koppelingsstangen	1	1
	72557	Timonerie embrayage	Clutch control	Gestange	Commando	Varillage	Commando	Koppelingsstangen	1	1
46	47125	Platine	Control	Handbetrieb	Commando	Platina de mando	Panel de comando	Bedieningsplaat	1	1
47	47420	Timonerie FM	Clutch control	Gestange	Commando	Varillage	Commando	Koppelingsstang	1	1
48	47140	Rondelle	Washer	Scheibe	Rondella	Arandella	Anilha	Ring	1	1
49	72503	Lévieur d'indexage	Lever	Hebel	Leva	Palanca	Alavanca	Koppelingsgreep	1	1
50	43151	Capuchon	Plug knob	Verschluß	Tappo	Tapon plastica	Calote	Dop	1	1
51	71396	Bouton	Nut	Schraube	Dado	Tuerca	Botao de aperto	Knop	2	2
52	Z08.L8.N	Rondelle	Washer	Scheibe	Rondella	Arandella	Anilha	Ring	7	7
53	71391	Rosace	Serrated rose	Formegezahrte rosette	Regalatore	Reglaje	Roseta estriada	Gekartelde rozet	2	2
54	Z12.10	Rondelle	Washer	Scheibe	Rondella	Arandella	Ring	Ring	2	3
55	Z42.8.90	Vis	Screw	Schraube	Vite	Tornillo	Parafuso	Schroef	2	2
56	47118	Bouchon	Plastic plug	Verschluß	Otturatore	Tapon	Parafuso	Plug	2	2
57	72535	Capot	Cover	Haube	Coperchio	Capo	Obturador	Cap	2	2
	72638	Capot	Cover	Haube	Coperchio	Capo	Cobertura	Kap	1	1
58	72562	Rondelle	Washer	Scheibe	Rondella	Arandella	Ring	Ring	2	2
59	73163	Vis	Screw	Schraube	Vite	Tornillo	Parafuso	Schroef	2	2
60	72525	Corroie	Belt	Riemen	Cinghia	Carrea	Correia	Riem	1	1
61	7115	Poulie	Pulley	Treibscheibe	Puleggia	Polea	Polia	Riemschijf	1	1
62	013.5.25	Goupille	Pin	Splint	Spina	Pasador	Pino	Pin	1	1
63	062.R59	Clips	Circlips	Clips	Seeger	Circlips	Polia de garras	Klemmen	1	1
64	72523	Bras de galet	Arm	Vorrichtung	Supporto	Soporte	Braço de rolo de came	Rolam	1	1
	71136	Galet	Roller	Laverole	Ruotina	Polea tensora	Rolo de came	Rol	1	1
65	72522	Ressort	Spring	Feder	Molla	Muelle	Molla	Veer	1	1
66	46049	Clavette	Key	Splint	Chiavetta	Clavigia	Pino	Pin	1	1
67	71132	Entretroise	Spacer	Distanzstück	Distanziale	Separadore	Separador	Afstandsstuk	1	1
68	73594	Andaineur	Deflector	Ablenkblech	Defletore	Deflector	Deflector	Deflector	1	1
69	72528	Coque	Carter	Soccca	Soccca	Carter	Carter	Carter	1	1
70	71099	Carter frontal	Projective band	Schutzstreifen	Banda di protezione	Moldura de protecção	Rolamento de esferas	Beschermband	1	1
71	030.6207.2	Roulement	Bearing	Kugellager	Cuscinetto	Rodamiento	Rolemento de esferas	Kogellager	1	1
72	16625	Joint	Rotary hoe Shaft seal	Wellendichtung	Anello	Junta	Junta	Dichtung	1	1
73	71133	Casing	Carter	Casing	Carter	Carter	Carter	Carter	1	1
74	Z03.8.80	Vis	Screw	Schraube	Vite	Tornillo	Parafuso	Schroef	2	2
75	Z03.8.110	Vis	Screw	Schraube	Vite	Tornillo	Parafuso	Schroef	1	1
76	71149	Moyeu	Hub	Nabe	MoZZa	Eje	Cuba de lamina	Mesnaaf	1	1
77	013.6.20	Goupille	Pin	Splint	Spina	Pasador	Pino	Pin	2	2
78	31461	Lame	Blade	Klingmesser	Lama	Cuchilla	Lamina	Mes	1	1
79	71097	Rondelle	Washer	Scheibe	Rondella	Arandella	Anilha	Ring	1	1
80	Z12.10AZ	Rondelle	Washer	Scheibe	Rondella	Arandella	Anilha	Ring	1	1
81	003.952457	Vis	Screw	Schraube	Vite	Tornillo	Parafuso	Schroef	1	1
82	72564	Goupille	Pin	Splint	Spina	Pasador	Pino	Pin	1	1
83	72541	Berceau	Support	Trager	Supporto	Soporte	Armação	Vork	1	1
84	72544	Fourche	Fork	Radgabe	Supporto	Soporte	Forquilha	Vork	1	1
85	Z03.10.85	Vis	Screw	Schraube	Vite	Tornillo	Parafuso	Schroef	1	1
86	72540	Kit mono roue	Kit	Kit	Kit	Kit	Conjunto completo	Kit	1	1
87	Z42.6.12	Vis	Screw	Schraube	Vite	Tornillo	Parafuso	Schroef	2	2
88	Z03.6.12	Vis	Screw	Schraube	Vite	Tornillo	Parafuso	Schroef	3	3
89	73361	Plaque	Support	Trager	Supporto	Soporte	Hevel	Stern	1	1
90	Z53.6	Ecrou	Nut	Mutter	Dado	Tuerca	Porca	Moer	14	10
91	Z08.L6U	Rondelle	Washer	Scheibe	Rondella	Arandella	Pin	Ring	16	11
92	013.5.40	Goupille	Pin	Splint	Spina	Pasador	Pin	Pin	1	1
93	Z03.6.45	Vis	Screw	Schraube	Vite	Tornillo	Parafuso	Schroef	3	3
94	Z11.6	Ecrou	Nut	Mutter	Dado	Tuerca	Porca	Moer	1	1
95	71091	Poulie	Pulley	Treibscheibe	Puleggia	Polea	Polia	Riem	1	1
96	72630.1	Boite de transmission	Gear box	Getriebe	Riduttore	Reductor	Riduttore	Reductor	1	1
97	72633	Coussinet	Ball Gearing	Lager	Cuscinetto	Cojinete	Apao	Lager	2	1
98	47302	Corroie	Belt	Riemen	Cinghia	Correa	Correia	Riem	1	1
99	024.8.15	Vis	Screw	Schraube	Vite	Tornillo	Parafuso	Schroef	1	1
100	72634	Bride	Support	Trager	Supporto	Soporte	Hevel	Stern	1	1
101	72636	Support droit	Support	Trager	Supporto	Soporte	Armação	Onderstel	1	1
102	Z03.6.70FT	Vis	Screw	Schraube	Vite	Tornillo	Parafuso	Schroef	1	1
103	72635	Support gauche	Support	Trager	Supporto	Soporte	Armação	Onderstel	1	1
104	46086	Poulie	Pulley	Treibscheibe	Puleggia	Polea	Polia	Riem	1	1
105	31532	Cache-écrou	Plastic cap	Mutterabdeckung	Copri	Tapon plastico	Campão plastico	Kunststoffkap	4	4
106	31531	Cache-écrou	Plastic cap	Mutterabdeckung	Copri	Tapon plastico	Campão plastico	Kunststoffkap	12	12
107	31530	Cache-écrou	Plastic cap	Mutterabdeckung	Copri	Tapon plastico	Campão plastico	Kunststoffkap	1	1
108	31494	Cache-écrou	Plastic cap	Mutterabdeckung	Copri	Tapon plastico	Campão plastico	Kunststoffkap	6	6
109	30863	Poignée T	Grip	Griff	Manopolo	Maneta	Pega	Greep	1	1
110	Z42.6.35	Vis	Screw	Schraube	Vite	Tornillo	Parafuso	Schroef	1	1
111	43159	Arrêt de corde	Guide	Führung	Guida	Guia	Guia	Onderstel	1	1
112	47320	Rondelle	Washer	Scheibe	Rondella	Arandella	Anilha	Ring	1	1
113	Z53.5	Ecrou	Nut	Mutter	Dado	Tuerca	Porca	Moer	1	1
114	73093	Rondelle	Washer	Scheibe	Rondella	Arandella	Ring	Ring	2	2
115	73110	Tableau de bord	Control panel	Instrumententafel	Cruscotto	Tableros de mando	Panel de instrumentos	Schokelpaneel	1	1
116	Z53.8	Ecrou	Nut	Mutter	Dado	Tuerca	Porca	Moer	6	6
117	72994	Moyeu gauche	Hub	Nabe	MoZZa	Eje	Cuba	Mesnaaf	1	1
118	72996	Moyeu droit	Hub	Nabe	MoZZa	Eje	Cuba	Mesnaaf	1	1



DN 550 S



Part. n°	Référence n°	Designation	Part name	Bezeichnung	Descrizione	Designacion	Designação	Onderdeel	D 550 S	D 550 SH
1	16625	Joint	Rotary hoe Shaft seal	Wellendichtung	Anello	Junta	Junta	Dichtung	1	1
2	47033	Commande d'accélération B&S	Throttle control	Gashebelgestange	Commando	Mando	Commando	Gaskabel	1	1
3	38093	Commande d'accélération Honda	Throttle control	Gashebelgestange	Commando	Mando	Commando	Gaskabel	1	1
3	30601	Roue	Wheel	Rad	Ruota	Rueda	Roda livre	Vrijwiel	1	1
4	30606	Entretoise	Spacer	Distanzstück	Distanziale	Separadore	Separador	Affstandsstuk	1	1
5	30835	Tableau de bord	Control panel	Instrumententafel	Cuscotto	Tableros de mando	Painel	Schokelpanel	1	1
6	30863	Poignée T	Grip	Griff	Manopolo	Maneta	Pega	Greep	1	1
7	73594	Andaineur	Deflector	Ablenkleblech	Defletore	Deflector	Deflector	Deflector	1	1
8	72564	Goupille clips	Pin	Splint	Spina	Pasador	Pino	Pin	1	1
9	31494	Cache-écrou	Plastic cap	Abdeckung	Copri	Tapon plastica	Tampão plastico	Kunststoffkap	6	6
10	42032	Collier	Clip	Klemmschelle	Ferma cavo	Abrazadera	Gancho	Kabelbinder	1	1
11	31531	Cache-écrou	Plastic cap	Abdeckung	Copri	Rapon plastica	Tampão plastico	Kunststoffkap	12	12
12	31530	Cache-écrou	Plastic cap	Abdeckung	Copri	Tapon plastica	Tampão plastico	Kunststoffkap	1	1
13	43151	Capuchon	Plug knob	Verschluß	Tappo	Tapon palstica	Calotte	Dop	1	1
14	46049	Clavette	Key	Splint	Chiavetta	Clavigia	Pino	Pin	1	1
15	43159	Arrêt corde	Guide	Führung	Guida	Guia	Guia	Onderstel	1	1
16	73400	Poignée frein moteur	Handlebar grip	Stezgriff	Manopolo	Maneta	Pega	Greep	1	1
17	73405	Poignée d'embrayage	Clutch lever	Kupplungshebel	Barra	Empunadura	Alavanca da embraiaçem	Koppelingsgreep	1	1
18	43301	Rondelle	Washer	Scheibe	Rondella	Arandella	Anilha	Ring	2	2
19	47118	Bouchon	Plastic plug	Verschluß	Olturatore	Tapon	Obturador	Plug	2	2
20	47125	Platine	Control	Handbetrieb	Commando	Platina	Commando	Bedieningsplaat	1	1
21	47140	Rondelle	Washer	Scheibe	Rondella	Arandella	Anilha	Ring	1	1
22	47420	Timonerie FM	Control	Gestange	Commando	Varillaje	Commando	Koppelingsstang	1	1
23	71097	Rondelle	Washer	Scheibe	Rondella	Arandella	Anilha	Ring	1	1
24	71114	Guide courroie	Vee belt guide	Riemenführung	Guida cinghia	Guia de correa	Guia de correa	Driifriemgeleider	1	1
25	71115	Poulie	Pulley	Treibscheibe	Puleggia	Polea	Polia	Riemenschijf	1	1
26	71120	Roue libre G	Freewheel	Freilauf	Ruota	Rueda	Roda livre	Vrijwiel	1	1
27	71121	Roue libre D	Freewheel	Freilauf	Ruota	Rueda	Roda livre	Vrijwiel	1	1
28	71122	Chaine	Chain	Kette	Catena	Cadena	Corrente	Ketting	2	2
29	71126	Pignon	Drive pinion	Ritzai	Ingranaggio	Pinon	Pinhao	Rondsel	2	2
30	71127	Entretoise	Spacer	Distanzstück	Distanziale	Separadore	Separador	Affstandsstuk	2	2
31	71132	Entretoise	Spacer	Distanzstück	Distanziale	Separadore	Separador	Affstandsstuk	1	1
32	71133	Carter	Casing	Carter	Carter	Carter	Carter	Carter	1	1
33	71134	Clips	Clip	Seeger	Seeger	Circlip	Calotte de garras	Wieldap	2	2
34	71136	Galet	Tensioner wheel	Riemenspanrolle	Puleggia	Polea	Polia	Rol	1	1
35	71149	Moyeu de lame	Hub	Nabe	Mozza	Eje	Cuba de lamina	Mesnaaf	1	1
36	71308	Coussinet	Ball Bearing	Lager	Cuscinetto	Coinete	Apao	Lager	4	4
37	71391	Rosace	Serrated rose	Formegezante rosette	Regalatore	Reglaje	Roseta estriada	Gekartelde rozet	4	4
38	71396	Ecrou	Nut	Schraube	Dado	Tuerca	Botao de aberto	Knop	2	2
39	72048	Demi-poulie	Pulley	Treibrad	Puleggia	Polea	Mei polia	1/2 schijf	2	2
40	72088	Arbre	Axle	Treibachse	Astina	Arbal	Eixo de roda	Wiellias	1	1
41	72128	Palier	Thrust bearing	Distanzstück	Supporto	Coinete	Apoio de mancal	Lager	2	2
42	73415	Guidon	Handbelar	Lenker	Manico	Manillar	Guiador	Stuurstang	1	1
43	72503	Lever	Lever	Hebel	Leva	Palanca	Alavanca	Koppelingsgreep	1	1
44	72506.1	Timonerie de relevage	Control	Gestange	Commando	Cable completo	Mando embrague	Koppelingsstang	1	1
45	72512	Ressort	Spring	Feder	Molla	Muelle	Mola	Veer	1	1
46	72514	Doigt d'indexage	Axle	Achse	Mollino di divisione	Claviza indicadora	Cavilha de imobilização	Indexvinger	1	1
47	72516	Ressort	Spring	Feder	Molla	Muelle	Mola	Veer	1	1
48	72522	Ressort	Spring	Feder	Molla	Muelle	Mola	Veer	1	1
49	72523	Bras de galet	Arm	Vorrichtung	Supporto	Soporte	Braco de rolo de came	Rolarm	1	1
50	72529	Chassis	Chassis	Chassis	Telaio	Chasis	Chassis	Chassis	1	1
51	72530	Barre de chassis	Crossbar	Chassisstange	Sbarra di telaio	Barra de chassis	Barra de chassis	Framebaik	2	2
52	72535	Capot	Cover	Haube	Coperchio	Capo	CoBERTura	Kap	1	1
53	72538	Capot	Cover	Haube	Coperchio	Capo	CoBERTura	Kap	1	1
54	72541	Becreau	Main frame yoke	Abdeckung sporn	Supporto	Supporto	Junta de forquilha	Juk	1	1
55	72541	Becreau	Support	Trager	Supporto	Supporto	Armaçao	Vork	1	1
56	72544	Fourche de roue	Fork	Radgabel	Supporto	Supporto	Forquilha	Vork	1	1
57	72547	Entretoise	Spacer	Distanzstück	Distanziale	Separadore	Separador	Affstandsstuk	2	2
58	73363	Timonerie emb. B&S	Clutch control	Gestange	Commando	Varillaje	Commando	Koppelingsstangen	1	1
59	72557	Timonerie emb. Honda	Clutch control	Gestange	Commando	Varillaje	Commando	Koppelingsstangen	1	1
60	72562	Vis	Screw	Schraube	Vite	Tornillo	Parafuso	Schroef	2	2
61	72554	Entretoise	Spacer	Distanzstück	Distanziale	Separadore	Separador	Affstandsstuk	1	1
62	72992	Rondelle	Washer	Scheibe	Rondella	Arandella	Anilha	Ring	2	2
63	72992	Lame	Blade	Klingmesser	Lama	Cuchilla	Lamina	Mes	1	1
64	72993	Coque	Carter	Carter	Scocca	Carter	Carter	Carter	1	1
65	72994	Insert gauche	Hub	Nabe	Mozza	Eje	Cuba de roda	Naaf	1	1
66	72996	Insert droit	Hub	Nabe	Mozza	Eje	Cuba de roda	Naaf	1	1
67	72995	Roue	Wheel	Rad	Ruota	Rueda	Roda	Vrijwiel	2	2
68	73081	Carter frontal	Projective band	Schutzstreifen	Banda di protezione	Moldura de proteccion	Carter	Beschernband	1	1
69	73086	Courroie	Belt	Riemen	Cinghia	Correa	Correia	Riem	1	1
70	Z02.10.30	Vis	Screw	Schraube	Vite	Tornillo	Parafuso	Schroef	4	4
71	Z03.5.60	Vis	Screw	Schraube	Vite	Tornillo	Parafuso	Schroef	1	1
72	Z03.6.12	Vis	Screw	Schraube	Vite	Tornillo	Parafuso	Schroef	5	5
73	Z03.6.20	Vis	Screw	Schraube	Vite	Tornillo	Parafuso	Schroef	5	5
74	Z03.6.45	Vis	Screw	Schraube	Vite	Tornillo	Parafuso	Schroef	2	2
75	Z03.8.25	Vis	Screw	Schraube	Vite	Tornillo	Parafuso	Schroef	2	2
76	Z03.8.80	Vis	Screw	Schraube	Vite	Tornillo	Parafuso	Schroef	2	2
77	Z03.8.110	Vis	Screw	Schraube	Vite	Tornillo	Parafuso	Schroef	1	1
78	Z03.10.30	Vis	Screw	Schraube	Vite	Tornillo	Parafuso	Schroef	2	2
79	Z03.10.35	Vis	Screw	Schraube	Vite	Tornillo	Parafuso	Schroef	2	2
80	Z03.10.85	Vis	Screw	Schraube	Vite	Tornillo	Parafuso	Schroef	1	1
81	003.952457	Vis	Screw	Schraube	Vite	Tornillo	Parafuso	Schroef	1	1
82	Z08.L6U	Rondelle	Washer	Scheibe	Rondella	Arandella	Anilha	Ring	18	18
83	Z08.M10U	Rondelle	Washer	Scheibe	Rondella	Arandella	Anilha	Ring	4	4
84	Z08.22U	Rondelle	Washer	Scheibe	Rondella	Arandella	Anilha	Ring	4	4
85	Z1.12	Ecrou	Nut	Mutter	Dado	Tuerca	Porca	Moer	2	2
86	Z12.10AZ	Rondelle	Washer	Scheibe	Rondella	Arandella	Anilha	Ring	1	1
87	013.4.30	Goupille	Pin	Splint	Spina	Pasador	Pino	Pin	1	1
88	013.5.25	Goupille	Pin	Splint	Spina	Pasador	Pino	Pin	1	1
89	013.6.20	Goupille	Pin	Splint	Spina	Pasador	Pino	Pin	2	2
90	030.6001.2	Roulement	Bearing	Kugellager	Cuscinetto	Rodiamento	Rolamentato de esferas	Kogellager	2	2
91	030.6207.2	Roulement	Bearing	Kugellager	Cuscinetto	Rodiamento	Rolamentato de esferas	Kogellager	1	1
92	033.1.3.22	Goupille	Pin	Pin	Spino	Pasador	Pin	Pin	2	2
93	Z42.6.12	Vis	Screw	Schraube	Vite	Tornillo	Parafuso	Schroef	2	2
94	Z42.6.35	Vis	Screw	Schraube	Vite	Tornillo	Parafuso	Schroef	1	1
95	Z42.8.90	Vis	Screw	Schraube	Vite	Tornillo	Parafuso	Schroef	2	2
96	Z53.5	Ecrou	Nut	Mutter	Dado	Tuerca	Porca	Moer	1	1
97	Z53.6	Ecrou	Nut	Mutter	Dado	Tuerca	Porca	Moer	15	11
98	Z53.8	Ecrou	Nut	Mutter	Dado	Tuerca	Porca	Moer	6	6
99	Z53.10	Ecrou	Nut	Mutter	Dado	Tuerca	Porca	Moer	9	9
100	062.RS9	Clips	Circlips	Clips	Seeger	Circlips	Polia de garras	Klemmen	1	1
101	47320	Rondelle	Washer	Schiebe	Rondella	Arandella	Anilha	Ring	2	2
102	73093	Rondelle	Washer	Scheibe	Rondella	Arandella	Anilha	Ring	1	1
SPECIFIQUE HONDA										
100	71261	Poulie ø 25,4	Pulley	Treibscheibe	Puleggia	Polea	Polia	Riem	1	1
101	46086	Poulie ø 22,2	Pulley	Treibscheibe	Puleggia	Polea	Polia	Riem	1	1
102	71091	Poulie ø 85	Pulley	Treibscheibe	Puleggia	Polea	Polia	Riem	1	1
103	72630.1	Boite	Gear box	Getriebe	Riduttore	Reductor	Riduttore	Reductor	1	1
104	73361	Plaque	Support	Trager	Supporto	Supporto	Hevel	Stern	1	1
105	72633	Coussinet	Ball bearing	Lager	Cuscinetto	Coinete	Apao	Lager	2	2
106	72634	Bride	Support	Trager	Supporto	Supporto	Hevel	Braco	2	2
107	72635	Support gauche	Support	Trager	Supporto	Supporto	Hevel	Braco	1	1
108	72636	Support droit	Support	Trager	Supporto	Supporto	Hevel	Braco	1	1
109	73079	Courroie	Belt	Riemen	Cinghia	Correa	Correia	Riem	1	1
110	Z03.6.70FT	Vis	Screw	Schraube	Vite	Tornillo	Parafuso	Schroef	1	1
111	Z03.10.20	Vis	Screw	Schraube	Vite	Tornillo	Parafuso	Schroef	4	4
112	Z08.M10U	Rondelle	Washer	Scheibe	Rondella	Arandella	Anilha	Ring	2	2
113	Z11.6	Ecrou	Nut	Mutter	Dado	Tuerca	Porca	Moer	1	1
114	013.5.50	Goupille	Pin	Splint	Spina	Pasador	Pino	Pin	1	1
115	Z12.10AZ	Rondelle	Washer	Scheibe	Rondella	Arandella	Anilha	Ring	2	2
116	024.8.15	Vis	Screw	Schraube	Vite	Tornillo	Parafuso	Schroef	1	1
117	73110	Tableau de bord	Control panel	Instrumententafel	Crucotto	Tableros de mando	Painel de instruments	Schokelpanel	1	1



CATALOGO PARTI DI RICAMBIO

TOSAERBA PROFESSIONALE

63 - 630

67 - 670

*CAMBIO
IDROSTATICO*

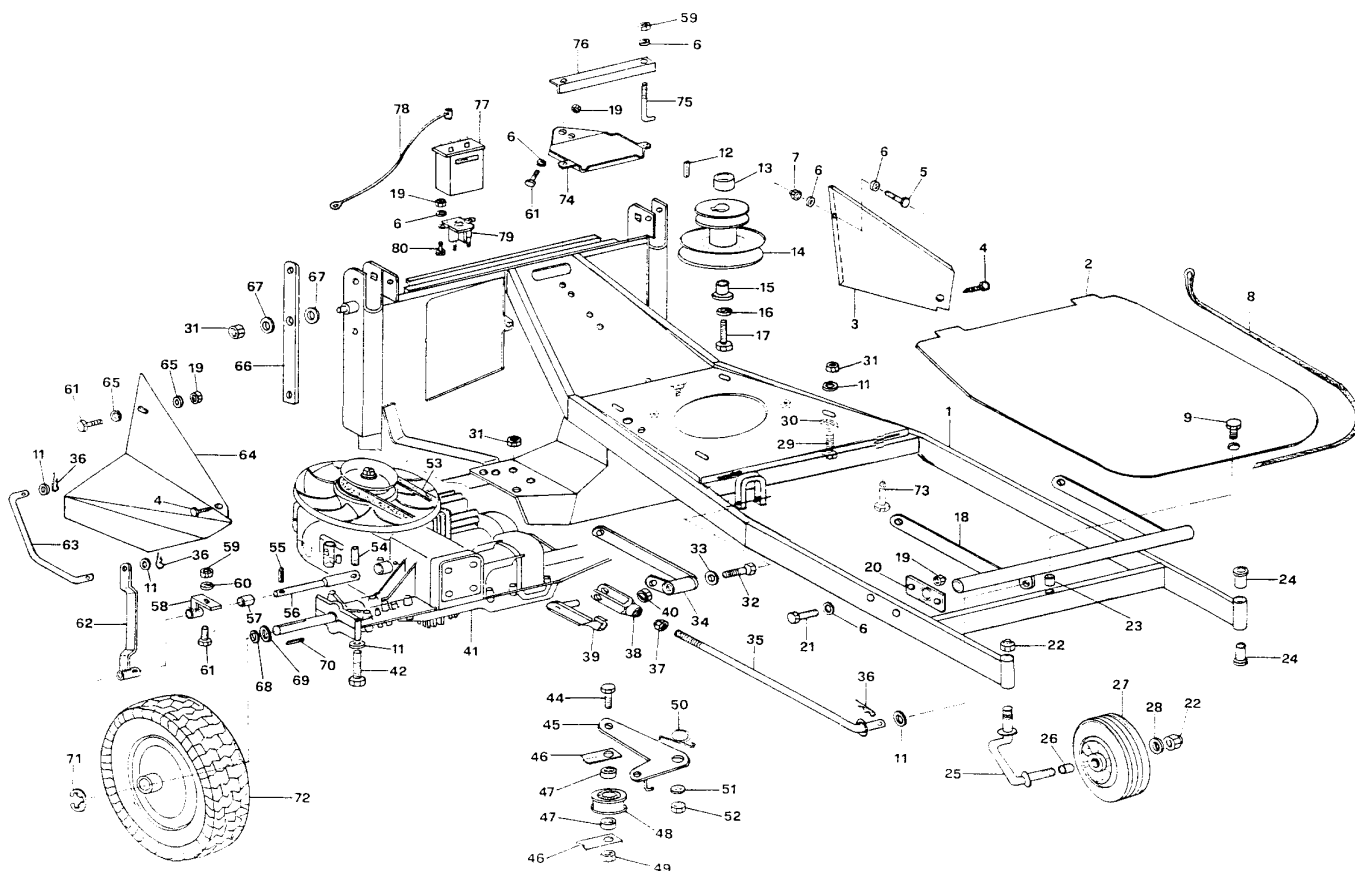
TAV. 1 TELAIO - CAMBIO - RUOTE

TAV. 2 STEGOLE - TRASMISSIONI

TAV. 3 PIATTO - CESTO RACCOGLIERBA

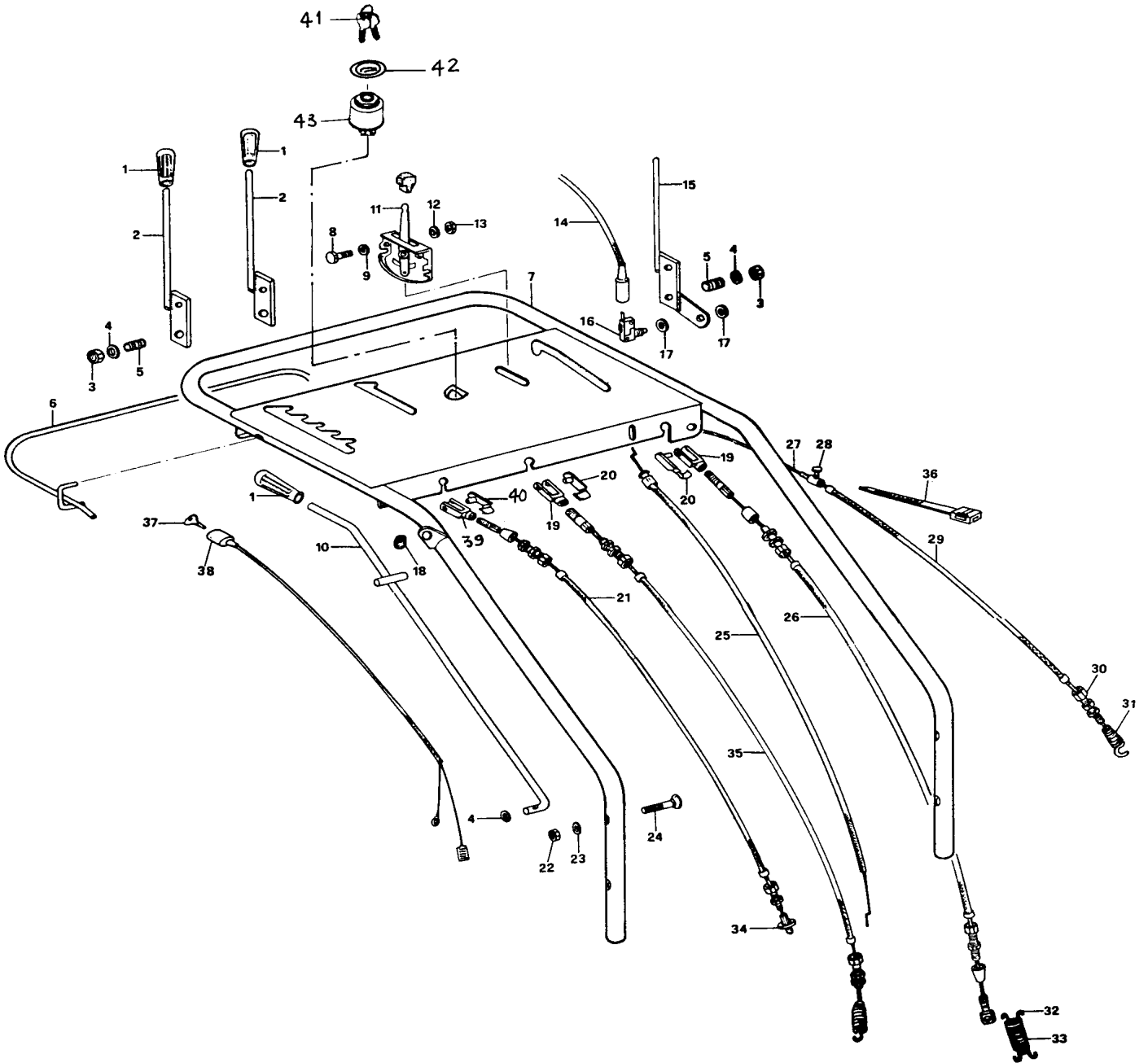
TAV. 1 TELAIO - CAMBIO - RUOTE

1	34.1005.280 (630-670)	18	34.1005.360	38	34.1005.382	59	81.4545.000	78	34.0025.151 ●
-	34.1005.282 (63H-67H)	19	81.4548.000	39	34.1005.384	60	84.3570.000	79	34.0025.125 ●
2	34.1005.402 (630-670)	20	34.0005.105	40	81.4642.000	61	86.2097.010	80	86.1998.000 ●
-	34.1005.404 (63H-67H)	21	86.2300.000	41	34.0005.126	62	34.1020.448	81	86.3051.030
3	34.1005.414	22	81.4794.000	42	86.2944.000	63	34.1020.449	82	81.4580.070
4	26.0050.219	23	26.0050.200	44	86.3951.000	64	34.1005.416 (63H-630)		
5	86.1931.000	24	34.0005.110	45	34.1020.420	65	84.3619.000		
6	84.3605.010	25	34.1005.130	46	34.0005.215	66	34.1020.450		
7	81.4530.080	26	34.1005.134	47	36.0005.212	67	27.0015.588		
8	34.0020.129	27	34.1005.132	48	26.0005.906	68	27.0011.943		
9	86.2494.000	28	84.3994.000	49	81.4703.000	69	84.4110.000		
11	84.3685.000	29	86.2741.000	50	34.1020.418	70	27.0010.145		
12	34.0025.110	30	84.3708.000	51	84.3818.000	71	80.1042.000		
13	34.1025.112 □	31	81.4588.000	52	81.4644.000	72	34.0005.232 SX	●	AVVIAMENTO ELETTR.
-	34.1025.111 ■	32	86.3566.100	53	34.1005.395	-	34.0005.234 DX		
14	34.1025.110 □	33	84.3812.000	54	85.1265.000	73	34.1005.312	□	→ 261915 63-630
-	34.1025.120 ■	34	34.1005.370	55	85.1374.000	74	34.1025.142 ●	■	261916 → 63-630
15	34.1025.114	35	34.1005.352	56	34.1020.438	75	34.0025.141 ●	□	→ 253950 67-670
16	84.3843.070	36	85.1350.000	57	34.1020.443	76	34.0025.139 ●	■	253951 → 67-670
17	86.2439.100	37	81.4574.000	58	34.1020.442	77	34.0025.130 ●		



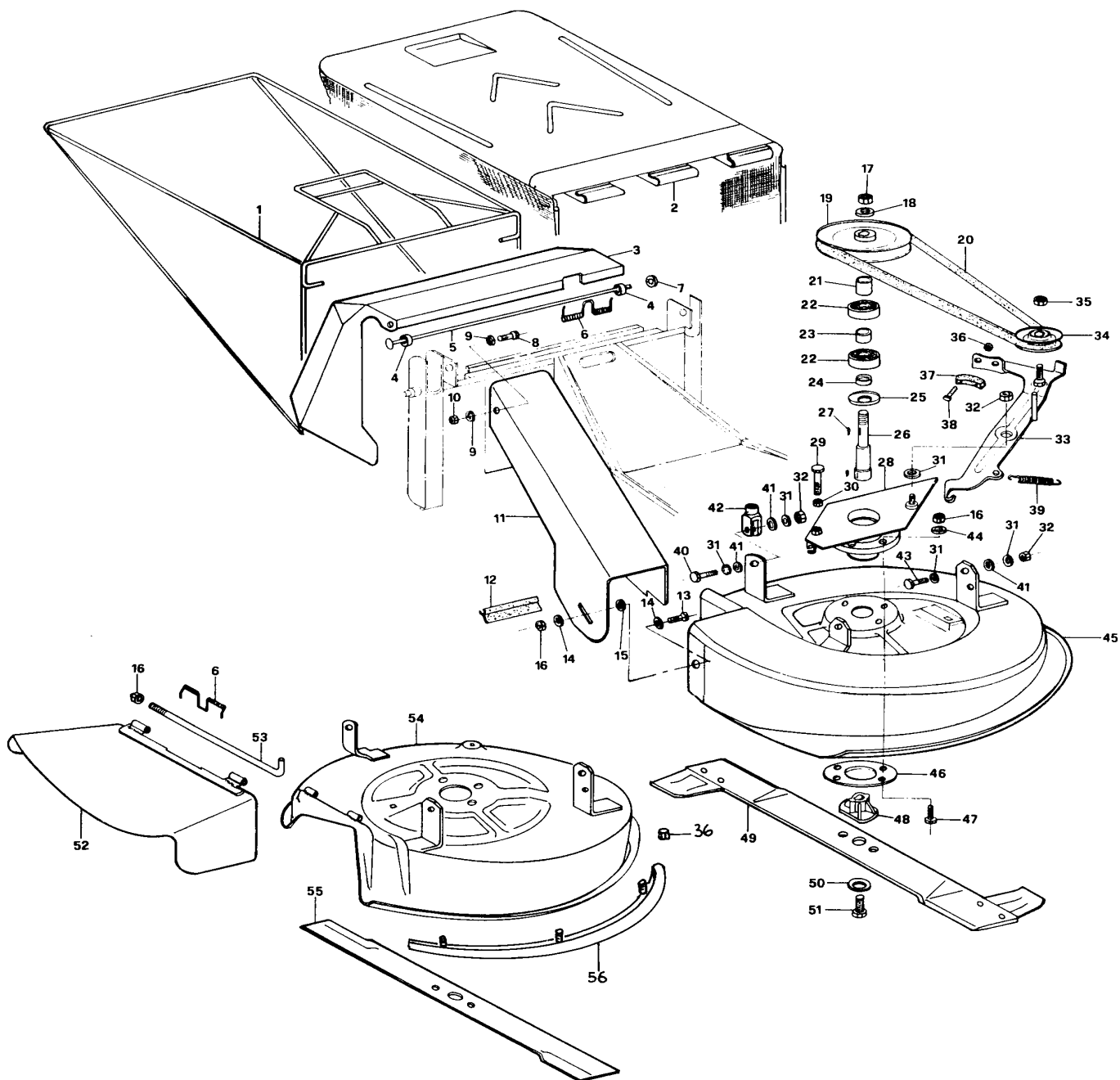
TAV. 2 STEGOLE - TRASMISSIONI

1	22.0050.900	10	34.1020.452	19	34.1010.110	28	85.9011.000	37	34.0025.127 ●
2	34.1010.318	11	34.0010.150	20	34.1010.111	29	34.1010.225	38	34.0025.126 ●
3	81.4642.000	12	84.3619.000	21	34.1010.107	30	85.8008.000	39	34.1005.382
4	84.3812.000	13	81.4530.080	22	81.4588.000	31	34.0005.219	40	34.1005.384
5	34.1010.320	14	34.1010.332	23	84.3685.000	32	34.1012.309	41	34.1025.161
6	34.1010.324	15	34.1010.319	24	86.2786.500	33	34.1012.308	42	34.1025.162
7	34.1010.300	16	34.1010.330	25	34.1010.106	34	26.0005.293	43	34.1025.160
8	86.1931.000	17	81.4620.000	26	34.1010.103	35	34.1010.340		
9	84.3605.010	18	22.0010.910	27	34.1010.226	36	81.7640.000		● AVVIAMENTO ELETTR.



TAV. 3 PIATTO - CESTO RACCOGLIERBA

1	34.1020.391 (67H-670)	13	86.2670.000 (67H-670)	25	23.0330.209	37	34.1020.370	48	34.0020.120
2	34.1020.176 (67H-670)	14	84.3713.000 (67H-670)	26	34.1020.350	38	86.1931.000	49	34.1020.130 (67H-670)
3	34.1020.190 (67H-670)	15	34.1020.168 (67H-670)	27	26.0050.202	39	34.1020.368 (63H-630)	50	84.6000.300
4	34.1020.394 (67H-670)	16	81.4588.000 (67H-670)	28	34.1020.340	-	34.1020.369 (67H-670)	51	86.2439.000
5	34.1020.396 (67H-670)	17	81.4794.000	29	86.2952.000	40	86.3430.000	52	34.1020.326 (63H-630)
6	34.1020.398 (67H-670)	18	84.3994.000	30	81.4580.000	41	26.1300.233	53	34.1020.322 (63H-630)
7	84.3993.070 (67H-670)	19	34.0020.109	31	84.3818.000	42	34.1005.380	54	34.1020.310 (63H-630)
8	86.2097.010 (67H-670)	20	34.1005.394	32	81.4642.000	43	86.3355.000	55	34.0020.121 (63H-630)
9	84.3619.000 (67H-670)	21	32.1005.217	33	34.1020.360	44	84.3685.000	56	34.1020.328 (63H-630)
10	81.4548.000 (67H-670)	22	81.2648.000	34	34.0020.111	45	34.1020.300 (67H-670)		
11	34.1020.900 (67H-670)	23	34.1020.352	35	81.4703.000	46	34.1020.348		
12	34.1020.166 (67H-670)	24	34.1020.353	36	81.4530.080	47	86.2724.000		





CATALOGO PARTI DI RICAMBIO

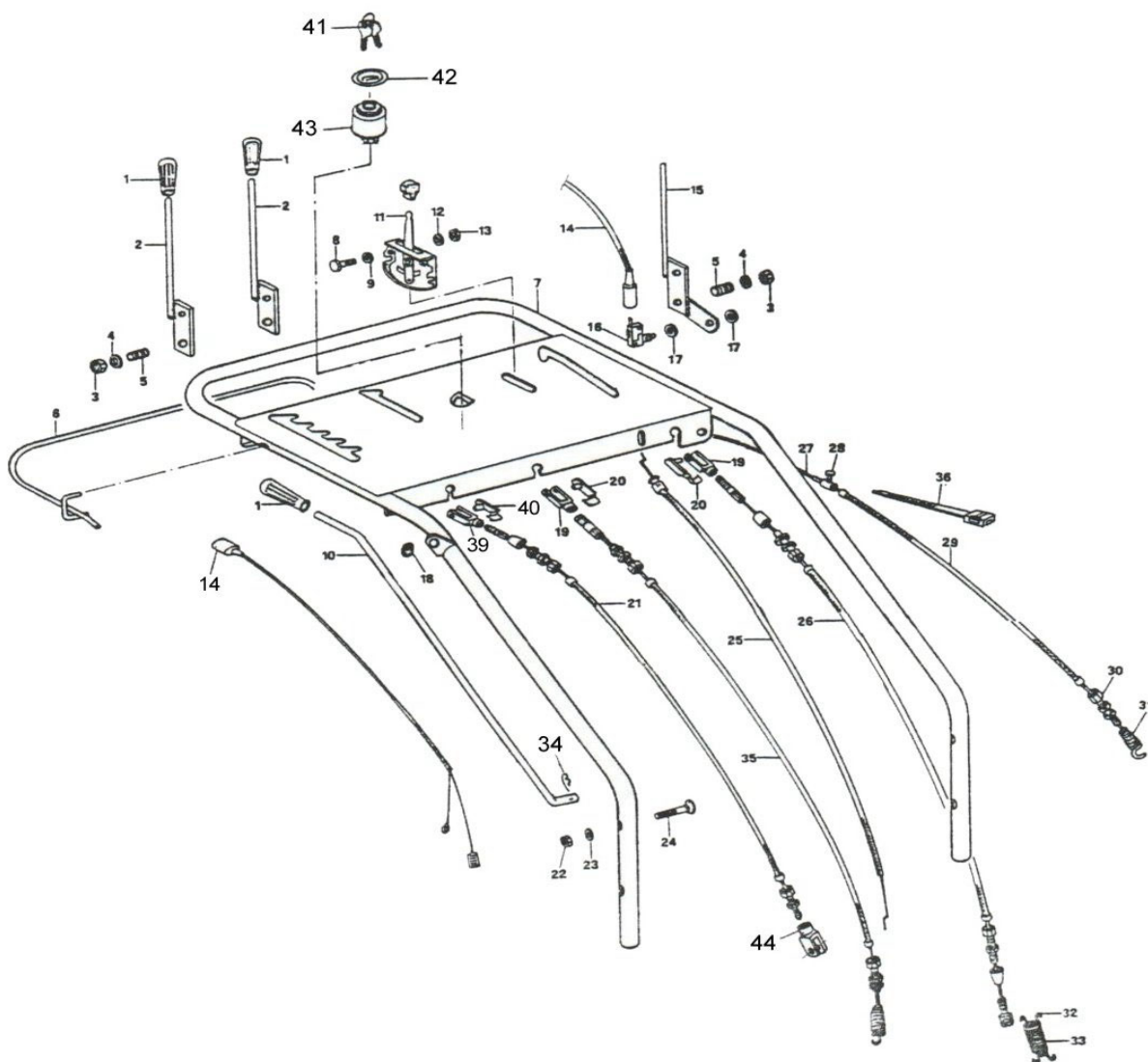
TOSAERBA PROFESSIONALE

63 - 630

67 - 670

76 - 760

**CAMBIO
MECCANICO**

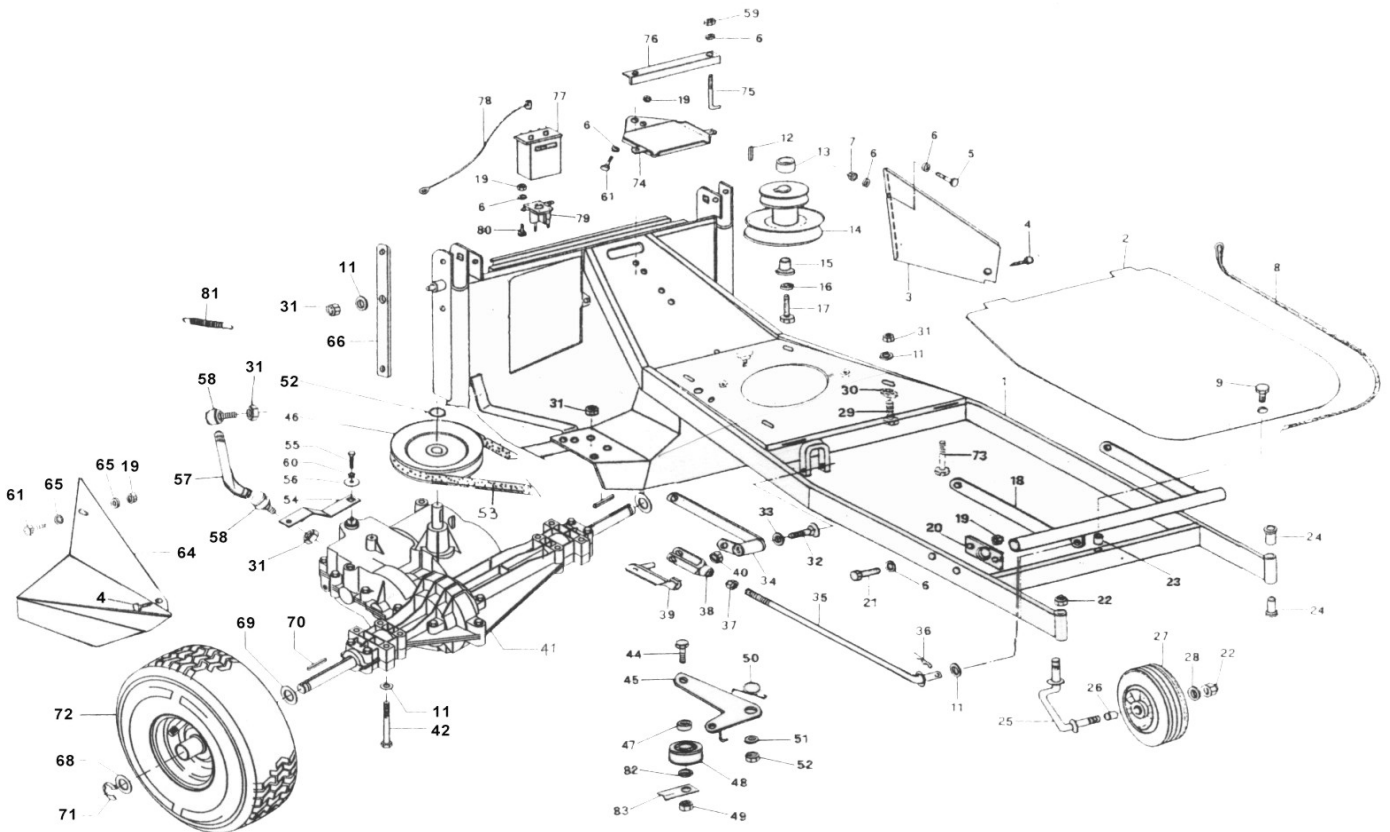


1	22.0050.900	10	34.1020.470	19	34.1010.110	28	85.9011.000	39	34.1005.382
2	34.1010.318	11	34.0010.150	20	34.1010.111	29	34.1010.225	40	34.1005.384
3	81.4642.000	12	84.3619.000	21	34.1010.107	30	85.8008.000	41	34.1025.161 ●
4	84.3812.000	13	81.4530.080	22	81.4588.000	31	34.0005.219	42	34.1025.162 ●
5	34.1010.320	14	34.1010.332	23	84.3685.000	32	34.1012.309	43	34.1025.160 ●
6	34.1010.324	15	34.1010.319	24	86.2786.500	33	34.1012.308	44	34.1005.380
7	34.1010.300	16	34.1010.330	25	34.1010.106	34	85.1350.000		
8	86.1931.000	17	81.4620.000	26	34.1010.103	35	34.1010.340		
9	84.3605.010	18	22.0010.910	27	34.1010.226	36	81.7640.000	●	AVVIAMENTO EL.

TAV. 1 STEGOLA - TRASMISSIONI

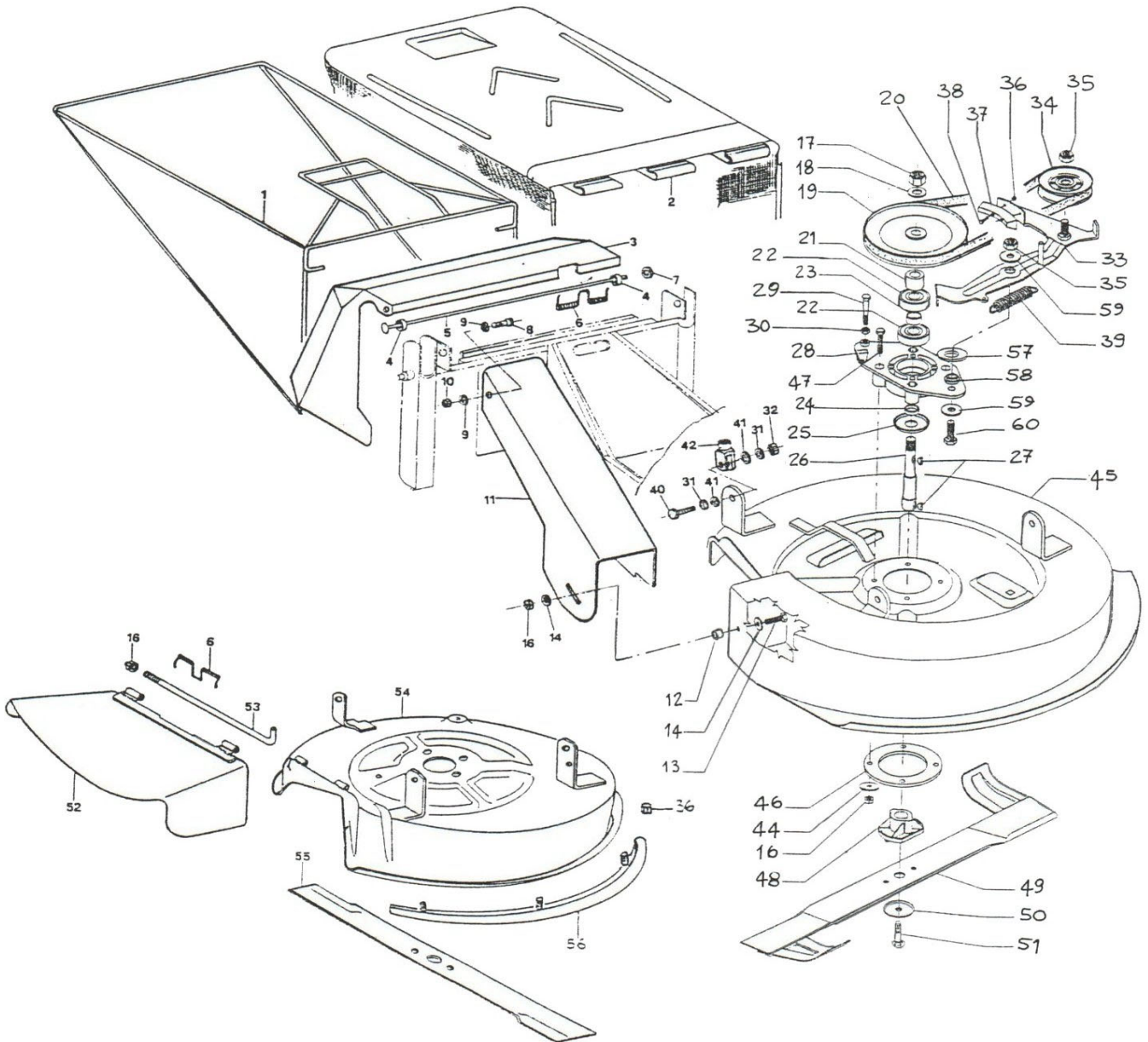
TAV. 2 TELAIIO - CAMBIO - RUOTE

1	34.1005.297 (63)	15	34.1025.114	35	34.1005.352	56	84.3622.000	77	34.0025.130 ●
-	34.1005.296 (630)	16	84.3843.070	36	85.1350.000	57	34.1020.473	78	34.0025.151 ●
-	34.1005.293 (67)	17	86.2439.100	37	81.4574.000	58	27.0022.220	79	34.0025.125 ●
-	34.1005.292 (670)	18	34.1005.360	38	34.1005.382	59	81.4545.000	80	86.1998.000 ●
-	34.1005.288 (76)	19	81.4548.000	39	34.1005.384	60	84.3570.000	81	34.1012.341
-	34.1005.287 (760)	20	34.0005.105	40	81.4642.000	64	34.1005.416 (63-630)	82	84.3901.050
2	34.1005.402 ▲	21	86.2300.000	41	34.0005.152	65	84.3619.000	83	34.0005.216
-	34.1005.404 △	22	81.4794.000	42	86.2944.000	66	34.1020.450		
3	34.1005.414	23	26.0050.200	44	86.3947.000	68	34.1005.557		
4	26.0050.219	24	34.0005.110	45	34.1020.422	69	84.4110.000		
5	86.1931.000	25	34.1005.130	46	34.1005.565	70	27.0010.145	△	63 - 67 - 76
6	84.3605.010	26	34.1005.134	47	36.0005.212	71	80.1042.000	▲	630 - 670 - 760
7	81.4530.080	27	34.1005.132	48	34.1020.424	72	34.0005.232 SX		
8	34.0020.129	28	84.3994.000	49	81.4703.000	-	34.0005.234 DX	●	AVVIAMENTO ELETTR.
9	86.2494.000	29	86.2741.000	50	34.1020.418	73	34.1005.312 □		
11	84.3685.000	30	84.3708.000	51	84.3818.000	-	86.3051.030 □	■	76 - 760
12	34.1025.105	31	81.4588.000	52	80.1116.000	-	34.1005.313 ■	□	63 - 630 - 67 - 670
13	34.1025.112	32	86.3566.200	53	34.1005.388	74	34.1025.142 ●		
14	34.1025.125 □	33	84.3812.000	54	34.1020.476	75	34.0025.141 ●		
-	34.1025.109 ■	34	34.1005.370	55	86.2438.040	76	34.0025.139 ●		



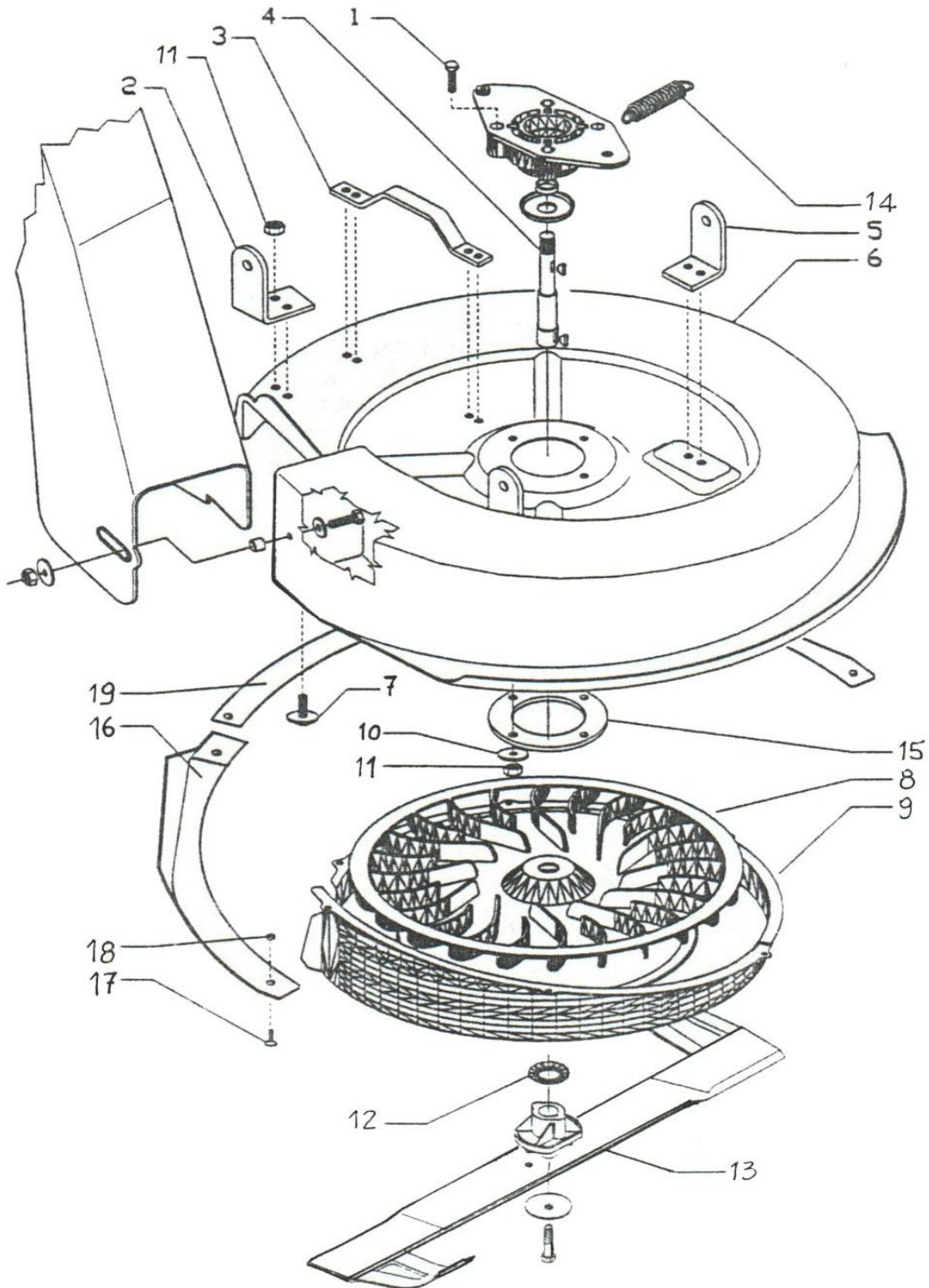
TAV. 3 PIATTO - CESTO RACCOGLIERBA

1	34.1020.391 (67-670)	14	84.3713.000 (67-670)	27	26.0050.202	-	34.1020.369 (67-670)	52	34.1020.326 (63-630)
2	34.1020.176 (67-670)	16	81.4588.000 (67-670)	28	34.1020.060	40	86.3430.000	53	34.1020.322 (63-630)
3	34.1020.190 (67-670)	17	81.4794.000	29	86.2952.000	41	26.1300.233	54	34.1020.310 (63-630)
4	34.1020.394 (67-670)	18	84.3994.000	30	81.4580.000	42	34.1005.380	55	34.0020.122 (63-630)
5	34.1020.396 (67-670)	19	34.0020.109	31	84.3818.000	43	86.3355.000	56	34.1020.328 (63-630)
6	34.1020.398 (67-670)	20	34.1005.394 (63-67)	32	81.4642.000	44	84.3685.000	57	34.1020.366
7	84.3993.070 (67-670)	-	34.1005.386 (76-760)	33	34.1020.360	45	34.1020.300 (67-670)	58	34.1020.365
8	86.2097.010 (67-670)	21	32.1005.217	34	34.0020.111	46	34.1020.355	59	84.3884.000
9	84.3619.000 (67-670)	22	81.2648.000	35	81.4703.000	47	86.2845.000	60	86.3750.000
10	81.4548.000 (67-670)	23	34.1020.352	36	81.4530.080	48	34.0020.120		
11	34.1020.900 (67-670)	24	34.1020.353	37	34.1020.370	49	34.1020.130 (67-670)		
12	22.0005.212	25	23.0330.209	38	86.1931.000	50	84.6000.300		
13	86.2741.000 (67-670)	26	34.1020.350	39	34.1020.368 (63-630)	51	86.2439.000		



TAV. 4 PIATTO 76 - 760

1	86.2845.000	6	34.1020.540	11	81.4588.000	16	34.1020.558
2	34.1020.550	7	86.2685.000	12	84.6000.150	17	86.1930.000
3	34.1020.552	8	34.1020.544	13	34.1020.135	18	81.4530.080
4	34.1020.350	9	34.1020.546	14	34.1020.368		
5	34.1020.548	10	84.3685.000	15	34.1020.355		





MA.RI.NA SYSTEMS SRL

Via F. Baracca, 3 - 24034 Cisano Bergamasco (BG)
 P. Iva e Cod. fisc. 01957120130 Capitale sociale 1.000.000.000 i.v.
 C.C.I.A.A. Lecco N° 230069 - Tribunale di Lecco N° 12042
Tel. 035-787774 ra - Fax 035-787761
 e-mail info@marinasystems.it
 internet <http://www.marinasystems.it>

Ricambi originali

ULTIMA MODIFICA

12/05/2005

Elenco cinghie da montare su rasaerba professionali

Modello	Puleggia motore			Cinghia cambio		Cinghia piatto		NOTE
	Codice	Diametro esterno		Codice	Descrizione	Codice	Descrizione	
		Superiore	Inferiore					
630 Meccanica vecchio tipo	M0340025102	64 mm	140 mm	M0340005116	Cinghia Gates 6211	M0340020125	Cinghia SPA 1207	
630 Hydrostatica	M0341025120	118,4 mm	178 mm	M0341005399	Cinghia X13 973 Lp	M0341005394	Cinghia SPA 1180	
	M0341025110	118,4 mm	140 mm	M0341005399	Cinghia X13 973 Lp	M0341005389	Cinghia SPA 1132	
630 Meccanica nuovo tipo	M0341025125	100 mm	178 mm	M0341005388	Cinghia X13 850 6T6K	M0341005394	Cinghia SPA 1180	
630 Meccanica nuovo tipo	M0341025104	108,26 mm	166 mm	M0341005378	Cinghia X13 840 6T6K	M0341005398	Cinghia SPA 1157	Macchine montate dal 2005
670 Meccanica vecchio tipo	M0340025102	64 mm	140 mm	M0340005116	Cinghia Gates 6211	M0340020125	Cinghia SPA 1207	
670 Hydrostatica	M0341025120	118,4 mm	178 mm	M0341005395	Cinghia A 37 esec. 05	M0341005394	Cinghia SPA 1180	
	M0341025110	118,4 mm	140 mm	M0341005399	Cinghia X13 973 Lp	M0341005391	Cinghia SPA 1120	
670 Meccanica nuovo tipo	M0341025125	100 mm	178 mm	M0341005388	Cinghia X13 850 6T6K	M0341005394	Cinghia SPA 1180	
670 Meccanica nuovo tipo	M0341025104	108,26 mm	166 mm	M0341005378	Cinghia X13 840 6T6K	M0341005398	Cinghia SPA 1157	Macchine montate dal 2005
760 Meccanica nuovo tipo	M0341025109	100 mm	140 mm	M0341005388	Cinghia X13 850 6T6K	M0341005386	Cinghia XPA 1225	

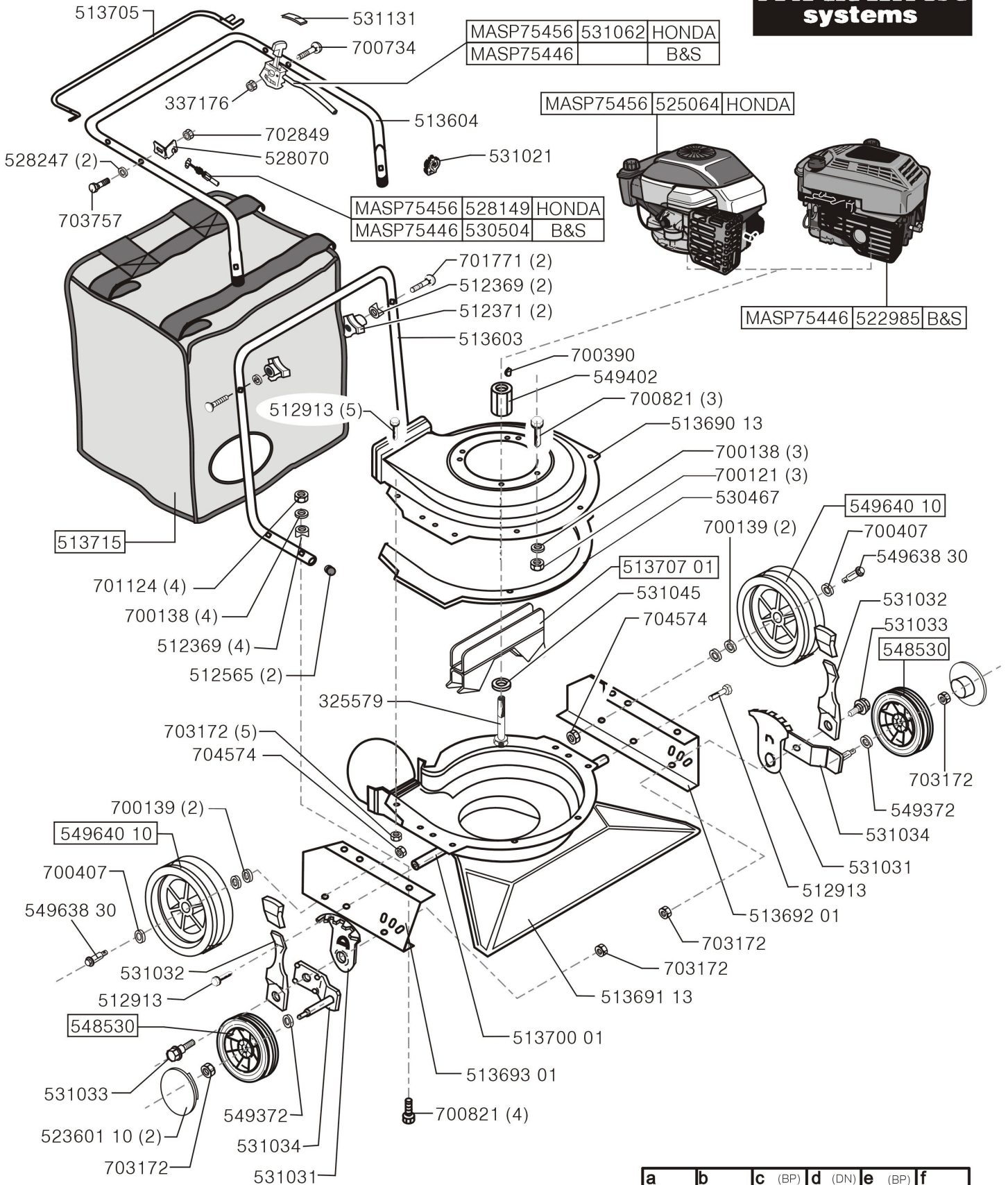
N.B. LA CINGHIA A 37 CODICE M0341005395 HA LO STESSO SVILUPPO DELLA CINGHIA X13 973 Lp CODICE M0341005399. PER I RICAMBI E' DISPONIBILE IL CODICE M0341005399.

N.B. SE NON E' PIU' LEGGIBILE LA SIGLA ESATTA DELLA CINGHIA, PER IDENTIFICARNE IL CODICE ESATTO, OCCORRE RILEVARE IL MODELLO DELLA MACCHINA E I DIAMETRI DELLA PULEGGIA MOTORE.



ASPIRATORE A 75 B - A 75 H

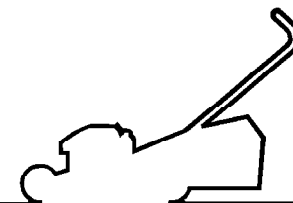
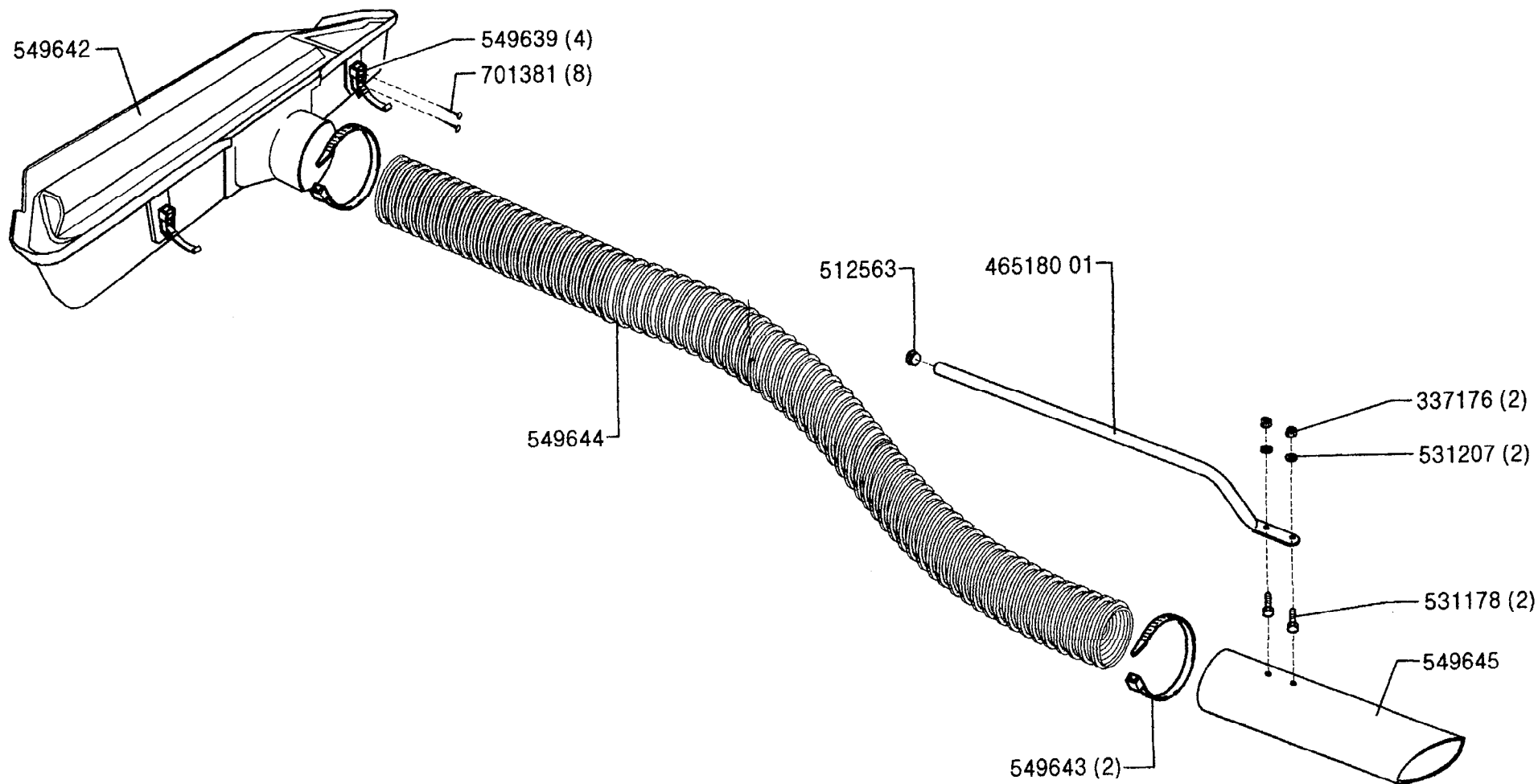
ANTEPORRE SM AD OGNI CODICE



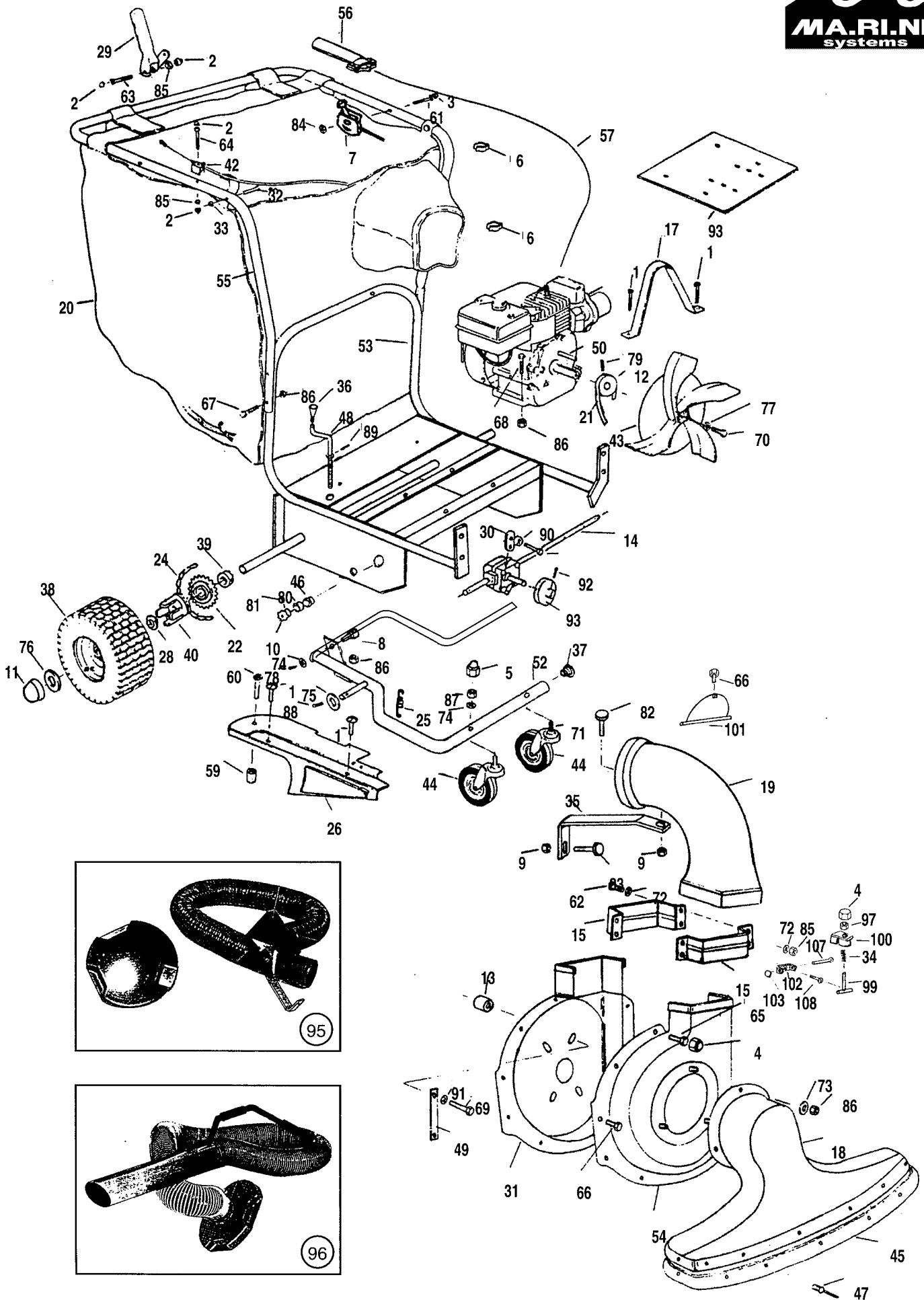
528712

a	b	c (BP)	d (DN)	e (BP)	f
06/98	11/98	06/00	07/01	09/01	

KIT ASPIRATORE A 75 B - H (ASP000300)



A 75 T +



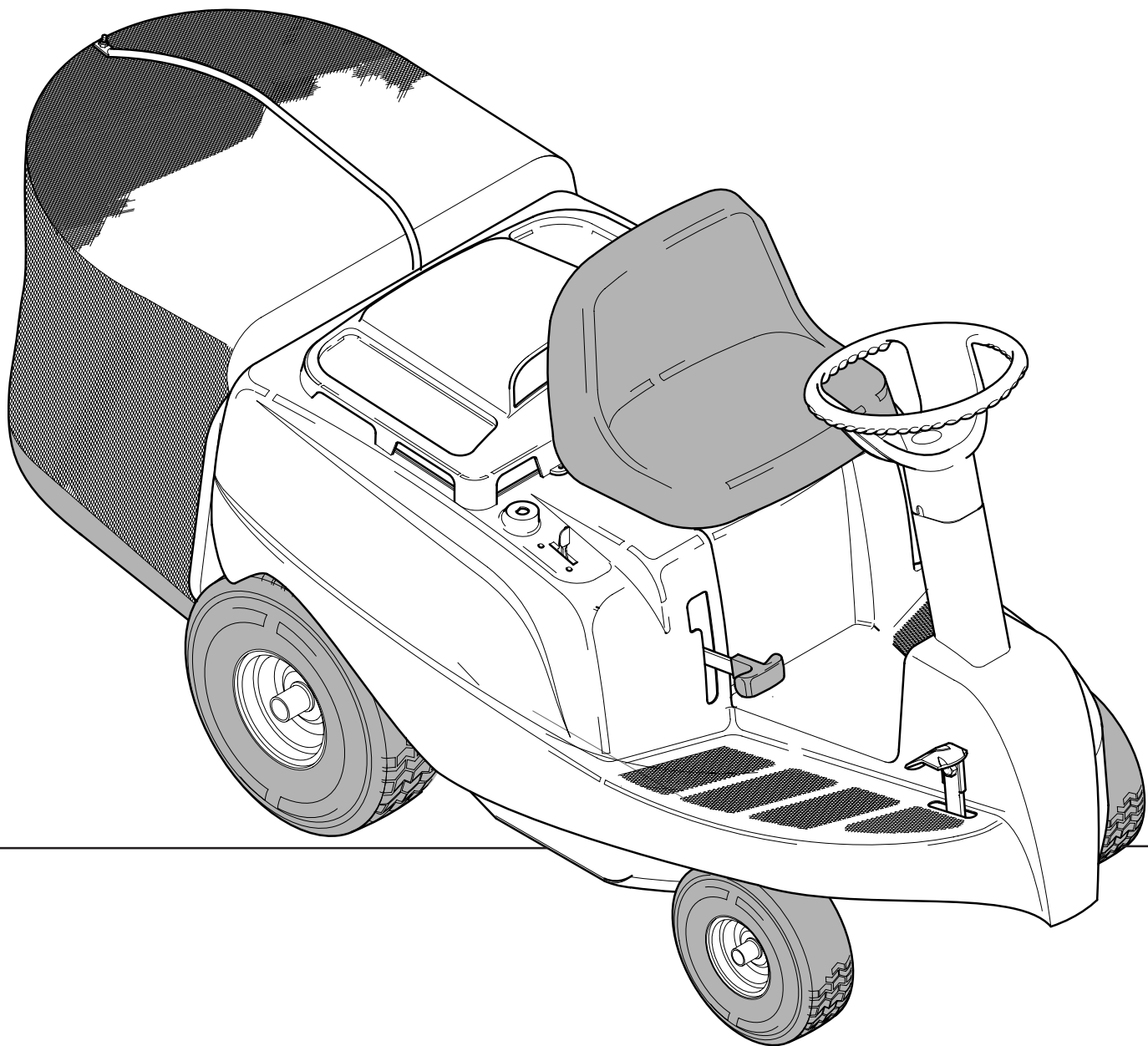
A 75 T +



Fig.	Références	Désignation	Part Name	Bezeichnung	Descrizione	AS 75 T+	AS 75 P+
1	31143	Vis poelier	Screw	Schraube	Vite	6	6
2	31494	Cache-écrou M6	Cap	Bolzenabdeckung	Coperchietto	12	18
3	31529	Cache-écrou M5	Cap	Bolzenabdeckung	Coperchietto	1	1
4	31530	Cache-écrou M8	Cap	Bolzenabdeckung	Coperchietto	29	29
5	31532	Cache-écrou M12	Cap	Bolzenabdeckung	Coperchietto	2	2
6	42032	Collier de gaine	Clip	Klemmschelle	Ferma cavo	4	4
7	43217	Commande d'accélérateur	Throttle control	Motorregulierung	Acceleratore	1	1
8	46025	Ecrou de relevage	Nut	Mutter	Dado	1	1
9	46032	Boulon M8	Nut	Mutter	Dado	2	2
10	71126	Pignon 7 dents	Drive pinon	Ritzal	Ingranaggio	2	2
11	71134	Enjoliveur à griffes	Clips	Clip	Clip	2	2
12	71261	Poulie motrice	Pulley	Treibrad	Puleggia	1	1
13	71263	Entretoise	Spacer	Distanzstück	Distanziale	4	4
14	71268.1	Boite de transmission	Gear box	Getriebe	Riduttore	1	
15	71270	Demi-manchon	Support	Vereinigung	Carter	2	2
16	73173	Ecrou	Nut	Mutter	Dado	2	2
17	71272	Cache-courroie	Belt gard	Schutzgerat	Coperchio	1	
18	71273	Nez d'aspiration	Nozzle	Nase	Bucca	1	1
19	71274	Coude	Air duct	Knierohr	Comito	1	1
20	71275	Sac	Sack	Einsammelgehalter	Sacco	1	1
21	73138	Courroie	Belt	Riemen	Cinghia	1	
22	71280	Roue libre droite	Freewheel R.	Freilauf R.	Ruota Dx	1	
23	71281	Roue libre gauche	Freewheel L.	Freilauf L.	Ruota Sx	1	
24	71283	Chaine	Chain	Kette	Catena	2	
25	71285	Ressort	Spring	Ruckzungs Feder	Molla	1	1
26	71287	Capot droit	Cover R.	Haube R.	Coperchio Sx	1	1
27	71288	Capot gauche	Cover L.	Haube L.	Coperchio Dx	1	1
28	71308	Coussinet	Flange bearing	Lager	Cuscinetto	4	
29	71309	Poignée d'embrayage	Clutch lever	Kupplungshebel	Leva	1	
30	71329	Patte de boite	Lever	Hebel	Piastrina	1	
31	71338	Volute arrière	Blower housing	Gehäuse	Chiocciola	1	
32	71339	Axe	Axle	Achse	Astina	2	2
33	71340	Rondelle à griffes	Clip	Clip	Clip	2	2
34	73170	Ressort	Spring	Ruckzungs Feder	Molla	2	2
35	71444	Patte de renfort	Support	Trager	Supporto	1	1
36	71830	Poignée tournante	Lever	Hebel	Piastrina	1	1
37	71831	Bouchon de tube	Plug knob	Kappe	Tappo	1	1
38	71988	Roue complète	Wheel	Rad	Ruota	2	2
39	71989	Entretoise	Spacer	Distanzstück	Distanziale	2	
40	73028	Entretoise	Spacer	Distanzstück	Distanziale	2	2
41	71993	Entraîneur droit	Cogwheel R.	Zahnrad R.	Ingranaggio	1	
42	71994	Entraîneur gauche	Cogwheel L.	Zahnrad L.	Ingranaggio Dentato	1	
43	71995	Timonerie embrayage	Clutch linkage	Kupplungsgestange	Commando	1	
44	71997	Turbine	Fan	Turbine	Ventola	1	1
45	71998	Roue pivotante	Wheel	Rad	Ruota	2	2
46	71999	Bavette	Wiper	Latzchen	Guarnizione	1	1
47	72128	Palier	Spacer	Distanzstucke	Distanziale	2	2
48	72383	Rivet	Pop rivet	Niete	Rivetto	22	22
49	73000	Levier	Lever	Hebel	Piastrina	1	1
50	73002	Renfort	Support	Trager	Supporto	2	2
51	73008	Clavette	Key	Keil	Chiavetta	1	1
52	73009	Clips	Clips	Clip	Clips	1	1
53	73010	Bras de roue	Arm	Radtrager	Supporto	1	1
54	73013	Chassis	Chassis	Chassis	Chassis	1	1
55	73014	Volute avant	Blower Housing	Gehäuse	Chiocciola	1	1
56	73015	Guidon supérieur	Handlebar	Lenker	Manico	1	1
57	73017	Levier conducteur	Lever	Hebel	Leva	1	1
58	73018	Fil électrique	Electric wire	Erdleitung	Electrico	1	1
59	73022	Guide de timonerie	Guide	Führung	Guia	1	1
60	73024	Entretoise	Spacer	Distanzstück	Distanziale	2	2
61	73088	Vis Poelier	Screw	Schraube	Vite	2	2
62	Z03.5.45	Vis M5 x 45	Screw	Schraube	Vite	1	1
63	Z03.6.15	Vis M6 x 15	Screw	Schraube	Vite	4	4
64	Z03.6.40	Vis M6 x 40	Screw	Schraube	Vite	1	
65	Z03.6.50	Vis M6 x 50	Screw	Schraube	Vite	1	
66	Z03.8.15	Vis M8 x 15	Screw	Schraube	Vite	7	7
67	Z03.8.20	Vis M8 x 20	Screw	Schraube	Vite	4	6
68	Z03.8.40	Vis M8 x 40	Screw	Schraube	Vite	4	4
69	Z03.8.45	Vis M8 x 45	Screw	Schraube	Vite	4	4
70	003.792455	Vis	Screw	Schraube	Vite	4	
71	003.792416	Vis	Screw	Schraube	Vite	4	4
72	003.952425	Vis	Screw	Schraube	Vite	1	
73	Z03.12.60	Vis M12 x 60	Screw	Schraube	Vite	2	8
74	Z08.L6N	Rondelle M6	Washer	Scheibe	Rondella	9	9
75	Z08.L8N	Rondelle M8	Washer	Scheibe	Rondella	13	13
76	Z08.L12U	Rondelle M12	Washer	Scheibe	Rondella	2	2
77	Z08.Z16U	Rondelle M16	Washer	Scheibe	Rondella	2	2
78	Z08.Z20U	Rondelle M20	Washer	Mutter	Rondella	4	2
79	Z12.10AZ	Rondelle	Washer	Scheibe	Rondella	1	1
80	014.3.25	Goupille	Pin	Splint	Spina	1	1
81	024.8.20	Vis pointeau	Screw	Schraube	Vite	1	
82	030.6001.2	Roulement	Bearing	Kugellager	Cuscinetto	2	
83	033.1.3.22	Goupille	Pin	Splint	Spina	2	
84	Z42.8.30	Vis TRCC	Screw	Schraube	Vite	1	1
85	Z42.8.50	Vis TRCC	Screw	Schraube	Vite	1	1
86	Z53.5	Ecrou M5	Nut	Mutter	Dado	1	1
87	Z53.6	Ecrou M6	Nut	Mutter	Dado	6	6
88	Z53.8	Ecrou M8	Nut	Mutter	Dado	21	21
89	Z53.12	Ecrou M12	Nut	Mutter	Dado	2	2
90	014.4.35	Goupille	Pin	Splint	Spina	2	2
91	013.4.20	Goupille	Pin	Splint	Spina	1	1
92	Z11.8	Ecrou	Nut	Mutter	Dado	1	
93	009.8	Rondelle	Washer	Scheibe	Rondella	4	4
94	013.5.45	Goupille	Pin	Splint	Spina	1	
95	71269	Poulie	Pulley	Treibrad	Puleggia	1	
96	71349	Plaque	Support	Trager	Piastrina	1	1
97	71311	Kit souffleur	Blowing kit	Blasebausatz	Kit soffiatore	1	1
98	71310	Kit aspiration	Suction kit	Sangerbausatz	Kit tubo aspirazione	1	1
99	30986	Collier rilsan	Clip	Klemmschelle	Ferma cavo	2	2
100	Z08.L5N	Rondelle	Washer	Scheibe	Rondella	27	27
101	73169	Support de bride	Support	Radtrager	Supporto	2	2
102	73165	Bride de coude	Hooks	Haken	Ganci	2	2
103	73134	Défecteur	Deflector	Ablenklech	Deflector	1	1
104	73171	Chappe	Support	Trager	Supporto	2	2
105	73118	Enjoliveur à griffes	Clip	Clip	Clip	2	2
106	73063	Rondelle	Washer	Scheibe	Rondella	1	1
107	73009	Profil clips	Clip	Clip	Clip	1	1
108	30407	Boitier	Plastic cap	Abdeckung	Coperchio	1	1
109	43152	Axe	Axle	Achse	Astina	2	2
110	Z02.6.25	Vis	Screw	Schraube	Vite	2	2



PICCOLO

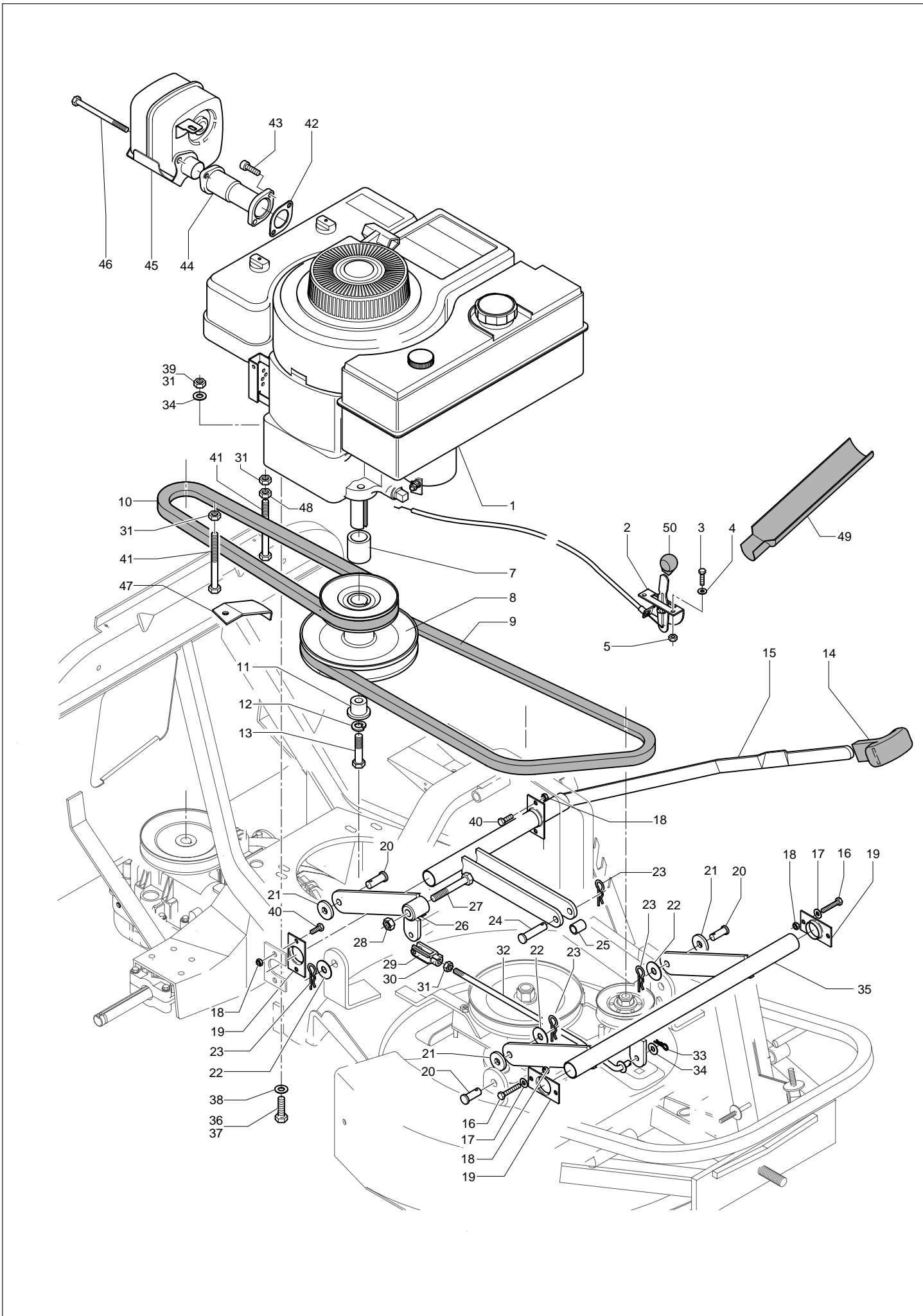


*RICAMBI
RECHARGE
SPARE PARTS
ERSATZTEILE
RECAMBIOS*

*ONDERDELEN
SOBRESSALENTES
CZĘŚCI ZAMIENNE
CSEREALKATRESZEK
NÁHRADNÉ SÚCIASTKY*

RIDING MOWER - TAV.1

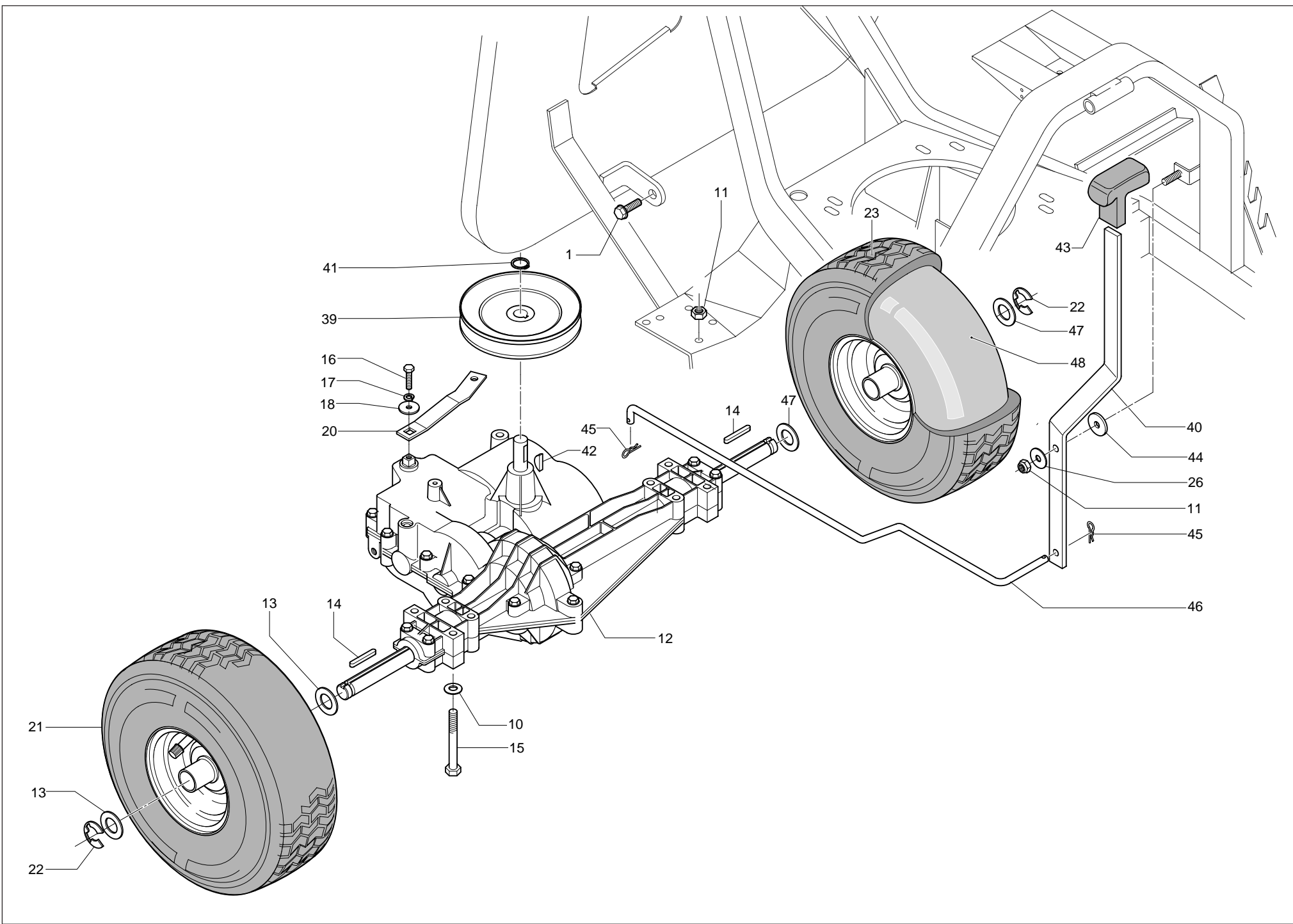
KIT MOTORE - KIT MOTEUR - MOTOR KIT - KIT MOTOR - KIT MOTOR - KIT MOTOR - KIT MOTOR - KIT SILNIK - KIT MOTOR - KIT MOTOR



RIDING MOWER - TAV.1

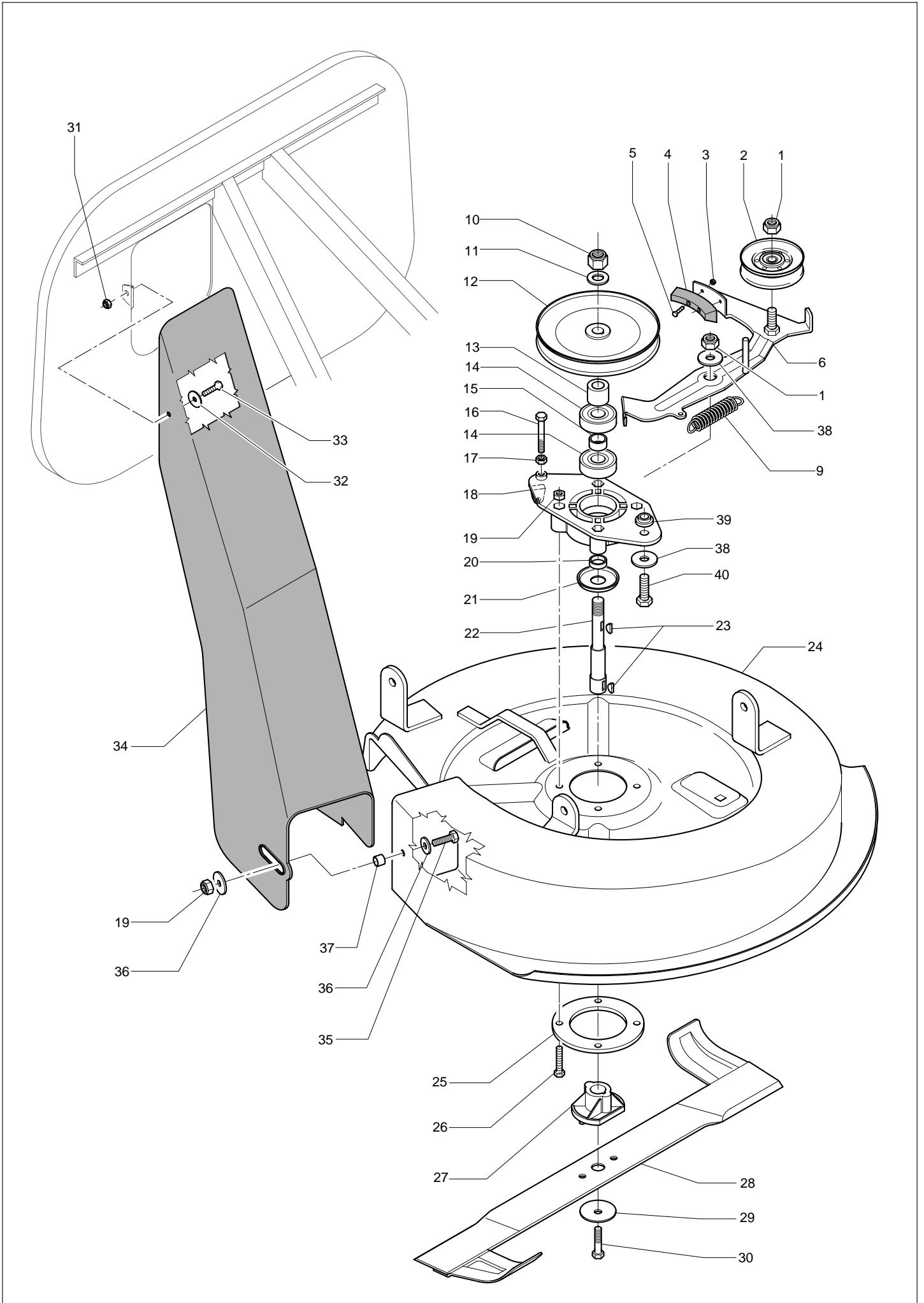
KIT MOTORE - KIT MOTEUR - MOTOR KIT - KIT MOTOR - KIT MOTOR - KIT MOTOR - KIT MOTOR - KIT MOTOR - KIT MOTOR - KIT MOTOR

N.ord. - N. pieces part. N. - bestell N.	RICAMBI SPARE PARTS	RECHANGES ERSATZTEILE	RECAMBIOS ONDERDELEN	SOBRESSEALENTES CZĘŚCI ZAMIENNE	CSEREALKATRÉSZEK NÁHRADNÉ SÚČASŤKY	Q	
1	TECNA T10 motore motor	moteur Motor	motor motor	motor silnik	motor motor	1	TECUMSEH TVM 220
2	10 3034 30 acceleratore completo accelerator	accélérateur Gashebel	acelerador gashendel	acelerador gazu	elemő rychlostná	1	
3	10 8303 00 vite screw	vis Schraube	tornillo schroef	parafuso sruba	csavar skrutka	2	TE M5x16 UNI 5739-8,8 Z.
4	10 8050 00 rosetta piana washer	rondelle Scheibe	arandela borgring	aniha podkladka	alátét podlozka	2	Ø 5x10x1 ZB
5	20 2821 00 dado autobloccante nut	ecrou Mutter	tuerca moer	porca nakrętką	anya matica	2	M5-H7 UNI 7473-ZB
7	10 3303 70 distanziale superiore upper spacer	entretoise supérieure Oberes Distanzstück	distanciador superior borveste afstandstuk	separator superior przekładka górna	felső távolító horni rozperka	1	Ø 25,5x35x28 H
8	10 3300 30 puleggia motore pulley	poulie Riemenscheibe	polea motor poelie	polie do motor kółko zamachowe	tárcsa remenica motora	1	
9	10 3015 00 cinghia belt	courroie Keilriemen	correa riem	correia paseł napędowy	ékszij remen	1	SPA 1180
10	10 3301 30 cinghia belt	courroie Keilriemen	correa riem	correia paseł napędowy	ékszij remen	1	X13-850LP
11	10 3019 00 distanziale inferiore lower spacer	entretoise inférieure Unteres Distanzstück	distanciador inferior anderste afstandstuk	separator inferior przekładka dolna	alsó távolító dolni rozperka	1	Ø 12x25,3x23,5 H
12	10 3019 20 rosetta elastica washer	rondelle Scheibe	arandela borgring	aniha podkladka	alátét podlozka	1	Ø 12 RINF. UNI 9195
13	10 3019 10 vite screw	vis Schraube	tornillo schroef	parafuso sruba	csavar skrutka	1	TE 7/16" UNF x2"
14	10 3302 53 manopola knob	poignée Griff	manopla knop	botão uchwyt	huzókar rukojet'	1	
15	10 3006 50 leva compl.sollev.lama cutter lift complete lever	levier compl.soulev.lame Kompl. Messerhebel	palanca compl.lev.cuchilla hendel opheffing mes	alavanca compl.lev.lamina dzwignia podnoszenia ostrza	komp.pengeemelőemelő komp.páka zdvihnúti nože	1	
16	10 5010 00 vite screw	vis Schraube	tornillo schroef	parafuso sruba	csavar skrutka	4	TE M6x35 UNI 5737-8,8 Z.
17	10 1260 00 rosetta piana washer	rondelle Scheibe	arandela borgring	aniha podkladka	alátét podlozka	4	Ø 6x18x1,5
18	20 2818 00 dado autobloccante nut	ecrou Mutter	tuerca moer	porca nakrętką	anya matica	8	M6 - H8 UNI 7473 Z.
19	10 3006 80 supporto cerniera hinge support	support charnière Scharnierhalter	soporte cremallera schrnier support	suporte dobradiça oparcie zawiasy	csuklóspántartó oparcie zawiasy	3	
20	10 3027 20 perno sollevam.piatto plate lift pin	pivot soulèvement,plateau Tellerhebezapfen	perno levantam.plato pen voor opheffing bord	perno levantam.prato sworzen podnoszenia	tányéremelőtengely cep zdvihnúti dčku	3	Ø 10x29
21	10 3011 70 rondella in nylon washer	rondelle Scheibe	arandela borgring	aniha podkladka	alátét podlozka	3	Ø 10x30x3
22	20 1130 00 rosetta piana washer	rondelle Scheibe	arandela borgring	aniha podkladka	alátét podlozka	3	Ø 10x30x2,5
23	10 3027 60 coppiglia elastica centr. central elastic split pin	goupille élastique centr. Mittlerer Gummisplint	clavija elástica central centr.elastische splitpen	pino elástico central zawleciska elast.centr.	csavaranyabiztosítás pruzina závlačka stredná	4	Ø 2,5x50
24	10 3027 10 perno sollev.piatto plate lift pin	pivot soulèvement,plateau Tellerhebezapfen	perno levantam.plato pen voor opheffing bord	perno levantam.prato sworzen podnoszenia	tányéremelőtengely cep zdvihnúti dčku	1	Ø 10x45
25	10 3022 40 boccola bushing	douille Buchse	casquillo huls	casquilho tuleja	csapágycsésze pouzdro	1	Ø 11x14x19 H Z
26	10 3011 50 leveraggio posteriore rear leverage	leviers arrières Hinteres Hebelwerk	palancas posterior achterste hendel	palanca traseira układ dzwigni tylny	hátsó emelőrendszer zasni pákový mechanismus	1	
27	10 3008 30 vite screw	vis Schraube	tornillo schroef	parafuso sruba	csavar skrutka	1	TSPEI M10x70 UNI 5933-8,8 Z
28	10 5011 60 dado autobloccante nut	ecrou Mutter	tuerca moer	porca nakrętką	anya matica	1	M10-H12 UNI 7473 Z.
29	10 3010 20 snodo kalvas kalvas joint	articulation kalvas Kalvas-Gelenk	articulación kalvas kalvas geleding	articulação kalvas zregub kalvas	kalvas csukló kloub pro kalvas	1	M8x32 UNI 1676 L=58
30	10 3012 20 clips per kalvas clips for kalvas	clips pour kalvas Kalvas-Klips	clips para kalvas klemmen voor kalvas	grampos para kalvas zaciski do kalvas	kalvas kapocs spona pro kalvas	1	M8 TIPO LUNGO
31	20 1063 00 dado nut	ecrou Mutter	tuerca moer	porca nakrętką	anya matica	2	M8 UNI 5587
32	10 3010 00 tirante sollevam.piatto plate lift tie rod	tirant soulèvement,plateau Tellerhebestange	tirante levantam.plato trekstang voor oph.bord	extensor levant.prato ciągno podnoszenia	tányéremelő tartórúd táho zdvihnúti disku	1	
33	10 2814 00 coppiglia elastica elástico split pin	goupille élastique Gummisplint	clavija elástica elastische splitpen	pino elástico zawleciska elastycsna	csavaranyabiztosítás pruzina závlačka	1	Ø 1,8x33
34	10 1142 00 rosetta piana washer	rondelle Scheibe	arandela borgring	aniha podkladka	alátét podlozka	5	Ø 8x16x1,5 Z.
35	10 3012 00 leveraggio anteriore front leverage	leviers avant Vorderes Hebelwerk	palancas anterior voorstte hendel	palanca dianteira układ dzwigni przedni	első emelőrendszer predni pákový mechaniz.	1	
36	10 1217 00 vite screw	vis Schraube	tornillo schroef	parafuso sruba	csavar skrutka	3	TE M8x35 UNI 5737-8,8 Z.
37	10 3030 90 vite screw	vis Schraube	tornillo schroef	parafuso sruba	csavar skrutka	1	TE M8x50 UNI 5739-8,8 Z.
38	10 0663 00 rosetta piana washer	rondelle Scheibe	arandela borgring	aniha podkladka	alátét podlozka	4	Ø 8x24x2
39	20 4049 00 dado autobloccante nut	ecrou Mutter	tuerca moer	porca nakrętką	anya matica	3	M8-H10 -UNI 7473
40	20 5013 70 vite screw	vis Schraube	tornillo schroef	parafuso sruba	csavar skrutka	4	TE M6x20 UNI 5739 8,8 Z.
41	30 3025 40 vite screw	vis Schraube	tornillo schroef	parafuso sruba	csavar skrutka	2	TE M8x120-8,8 UNI 5737 Z.
42	20 3303 30 guarnizione gasket	garniture Dichtung	junta pakking	garnição uszczelka	tömítés teszenie	1	
43	10 3027 30 vite screw	vis Schraube	tornillo schroef	parafuso sruba	csavar skrutka	2	TCEI 5/16" UNC x5/8"
44	20 3302 80 tubo prolunga mamitta tube	tuyau Röhre	tubo stang	tubo os	vonórúd tyc	1	
45	20 3303 40 silenzatore/delettore/viti silencer	silencieux Schalldämpfer	silenciador silencer	silencer silencer	silencer silencer	1	
46	20 3303 50 tirante tie rod	tirant Zugstange	tirante trekstang	tirante łącznik	vonórúd tiahlo	2	TE Ø 11x116
47	10 3303 90 piastra guida cinghia belt plate	plaque courroie Platte	placa plaat	placa plyca	teilkosár signalizacni	1	H.80
48	10 2403 00 dado nut	ecrou Mutter	tuerca moer	porca nakrętką	anya matica	1	M8 UNI 5589
49	10 3303 83 imbuto cambio olio funnel oil change	entonnoir Trichter	embudo funnel oil change	funnel oil change funnel oil change	funnel oil change funnel oil change	1	
50	10 3034 03 pomolo knob	poignée Griff	manopla knop	botão uchwyt	kuzókar rutojet'	1	



RIDING MOWER - TAV. 3

KIT PIATTO - KIT PLATEAU - KIT PLATE - KIT TELLER - KIT PLATO - KIT BORD - KIT PRATO - KIT TALERZ - KIT TANYER - KIT DISK



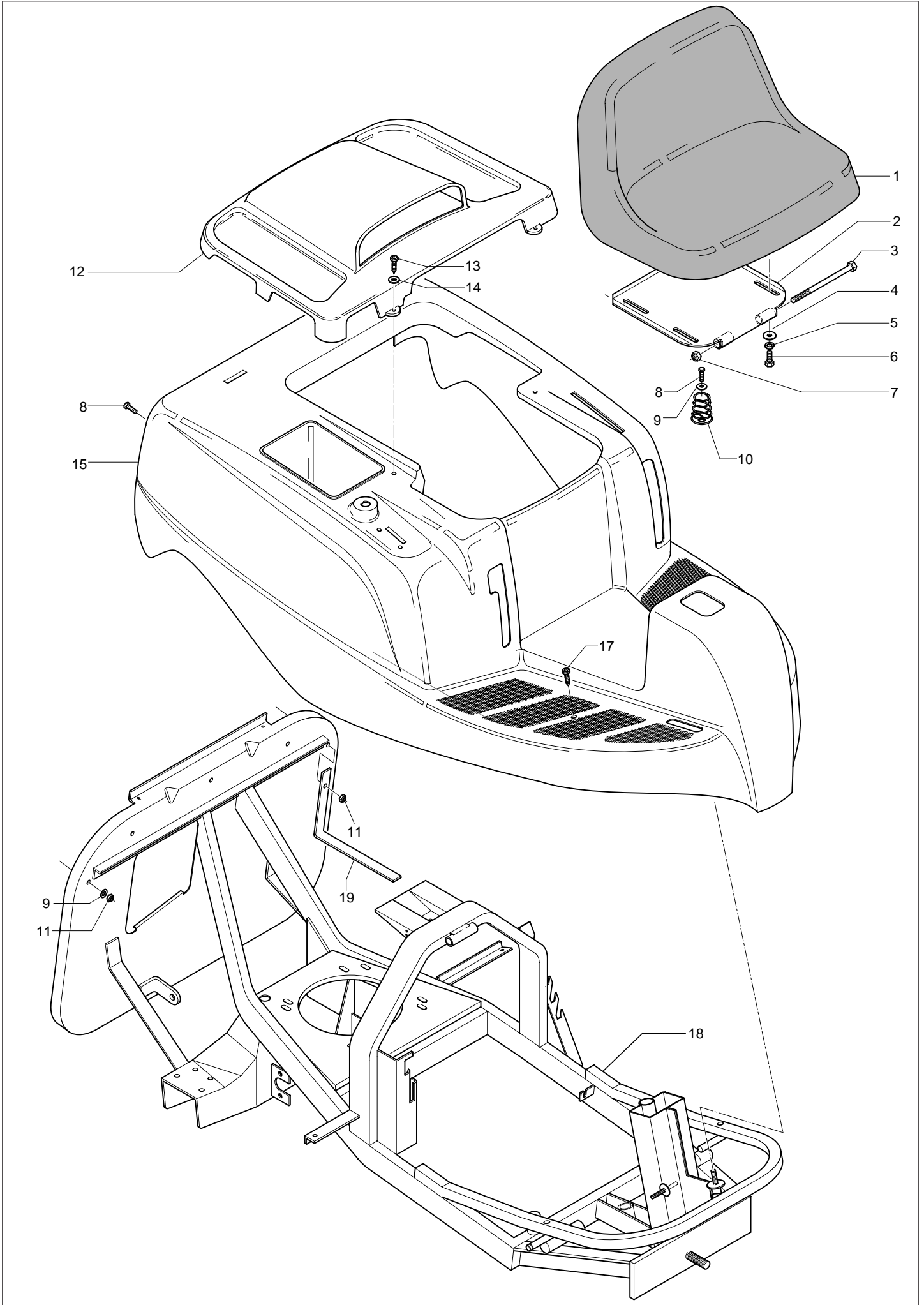
RIDING MOWER - TAV. 3

KIT PIATTO - KIT PLATEAU - KIT PLATE - KIT TELLER - KIT PLATO - KIT BORD - KIT PRATO - KIT TALERZ - KIT TANYER - KIT DISK

N.ord. - N. pieces part. N. - Bestell N.	RICAMBI SPARE PARTS	RECHANGES ERSATZTEILE	RECAMBIOS ONDERDELEN	SOBRESALENTES CZĘŚCI ZAMIENNE	CSEREALKATRÉSZEK NÁHRADNÉ SUČIÁSTKY	Q	
1 10 3015 60	dado autobloccante nut	ecrou Mutter	tuerca moer	porca nakrętka	anya matica	2	M12-H.14 UNI 7473 Z.
2 10 3015 50	ruota tendicinghia belt-tightener wheel	roue tendeur courroie Riemenspannrad	rueda tensora de correa riemspanner-wiel	roda estender correia kolo naprężacza pasa	szíjfeszítőkerék napináci kolo remenu	1	
3 20 2821 00	dado autobloccante nut	ecrou Mutter	tuerca moer	porca nakrętka	anya matica	2	M5-H.7 UNI 7473 Z.
4 10 3015 80	ferodo freno lama cutter brake ferodo	ferodo frein lame Messer-Bremsbelag	ferodo freno cuchilla ferodo mesrem	lona travão lamina ferodo hamulca ostrza	pengefék ferodo oblození brzdy nože	1	
5 10 8303 00	vite screw	vis Schraube	tornillo schroef	parafuso sruba	csavar skrutka	2	TE M5x16 UNI 5739 - 8,8 Z.
6 10 3015 10	leva tendicinghia lama cutter belt-tightener lever	levier tendeur courroie Riemenspannhobel	palanca tensora correa hendel riemspanner mes	alavanca estender correia dzwignia naprężacza pasa	pengeszíjfeszítőemeltető napináci páka noze	1	
9 10 3026 40	molla tendicinghia cutter-tightener spring	ressort tendeur courroie Riemenspannfeder	resorte tensor correa veer riemspanner	mola estender correia sprężyna naprężacza pasa	szíjfeszítőtűgő pruzina napinákú remenu	1	
10 10 3014 90	dado autobloccante nut	ecrou Mutter	tuerca moer	porca nakrętka	anya matica	1	M16 -H18 UNI 7473- Z.
11 10 3003 80	rosetta piana washer	rondelle Scheibe	arandela borgring	aniha podkładka	alátét podložka	1	Ø 17x30x2,5 - Z.
12 10 3014 70	puleggia pulley	poulie Riemenscheibe	polea poelie	polie kółko zamachowe	tárcsa remenica	1	Ø 178 - F.16
13 10 3014 60	distanziale spacer	entretoise Abstandsstück	separador afstandsring	distanciador dystans	közrögzőtő rozperka	1	Ø 17x30x25,5 H-Z.
14 10 3014 80	cuscinetto bearing	roulement Kugellager	rodamiento Kugellager	rolamento łożysko	golyócsapágy łożysko	2	Ø 20x52x15
15 10 3013 60	distanziale interno internal spacer	entretoise intérieur Innen-Distanzstück	distanciador interior inwendig afstandstuk	distanciador interior przekładka wewnątrzna	beļšo tāvlotītā vnitrni rozperka	1	Ø 20x25x12,5 H
16 10 4076 00	vite screw	vis Schraube	tornillo schroef	parafuso sruba	csavar skrutka	1	TE M8x70 UNI 5737 - 8,8 Z.
17 20 1063 00	dado nut	ecrou Mutter	tuerca moer	porca nakrętka	anya matica	1	M8 UNI 5587 Z.
18 10 3029 80	mozzo supporto lama complete hub	moyeu complet Nebsatz	cubo completo complete naaf	cubo completo piastra kompletna	komplett kerékagy kompletní náboj	1	
19 20 4049 00	dado autobloccante nut	ecrou Mutter	tuerca moer	porca nakrętka	anya matica	5	M8 - H.10 UNI 7473 Z.
20 10 3013 90	distanziale spacer	entretoise Abstandsstück	separador afstandsring	distanciador dystans	közrögzőtő rozperka	1	Ø 20x25x7 H
21 10 3014 10	parapolvere eccentrico eccentric hood	protège-poussière excentrique Ausmittiger Staubschutz	guardapolvo excéntrico excentrische stofbesch.	guarda-pó excéntrico ochrona przed pyłem	külpontos porvédő kryt proti prachu	1	
22 10 3013 70	albero supporto lama blade support shaft	arbre support lame Messerwelle	eje soporte cuchilla as messsupport	eixo soporte lamina wał podpora ostrza	pengetartótengely nosny krídel nože	1	
23 10 1009 00	linguetta tab	languette Lasche	lengueta lipje	lingueta wpust	nyelvecske klin	2	4x6,5 UNI 6606
24 10 3013 03	piatto completo complete plate	plateau complet Kompletter Teller	plato completo complete bord	prato completo talerz kompletny	komplett tányér kompletní disk	1	RIDER 67
25 10 3014 00	flangia di rinforzo reinforcement flange	bride de renfort Verstärkungsflansch	brida de renfuerzo versterkingsflens	flange de reforço kolnierz wzmacniający	erősítőkarima příruba zesílení	1	
26 10 0691 00	vite screw	vis Schraube	tornillo schroef	parafuso sruba	csavar skrutka	4	TE M8x45 UNI 5739 - 8,8 Z.
27 10 3014 20	supporto lama bearing blade	supprt lame Messerhalter	soporte cuchilla messemhouder	suporte da lamina uchwyt noza	pergetartó drziak noza	1	
28 10 3014 40	lama blade	lame Messer	cuchilla nóz	lamina nóz	penge nóz	1	cm.67 ALETTATA
29 10 5309 00	rondella elastica washer	rondelle Scheibe	arandela borgring	aniha podkładka	alátét podložka	1	Ø 11x50x2,5
30 20 1205 80	vite screw	vis Schraube	tornillo schroef	parafuso sruba	csavar skrutka	1	TE 3/8" UNFX37 - 8,8 Z.
31 20 2818 00	dado autobloccante nut	ecrou Mutter	tuerca moer	porca nakrętka	anya matica	1	M6 - H8 UNI 7473 - Z.
32 10 8322 00	rosetta piana washer	rondelle Scheibe	arandela borgring	aniha podkładka	alátét podložka	1	Ø 6x24x2
33 20 1226 00	vite screw	vis Schraube	tornillo schroef	parafuso sruba	csavar skrutka	1	TE M6x20 UNI 5739 - 8,8 Z.
34 10 3016 53	tunnel carico erba grass loading tunnel	tunnel chargement herbe Grasladetunnel	túnel carga hierba graslaadtunnel	túnel carga relva túnel ładowania trawy	fűrakodócső sberáci tunel trávy	1	
35 10 1217 00	vite screw	vis Schraube	tornillo schroef	parafuso sruba	csavar skrutka	1	TE M8x35 UNI 5739 - 8,8 Z.
36 10 3016 70	rosetta piana washer	rondelle Scheibe	arandela borgring	aniha podkładka	alátét podložka	2	Ø 8x32x2,5 Z.
37 10 3016 00	distanziale spacer	entretoise Abstandsstück	separador afstandsring	distanciador dystans	közrögzőtő rozperka	1	Ø 10x14x16 H
38 10 3030 70	rosetta piana washer	rondelle Scheibe	arandela borgring	aniha podkładka	alátét podložka	2	Ø 12,5x36x2,5-Z
39 10 3030 60	boccola per tendicinghia bushing	douille Buchse	casquillo huls	casquillo tuleja	csapágycsésze poudzro	1	
40 10 3030 80	vite screw	vis Schraube	tornillo schroef	parafuso sruba	csavar skrutka	1	TE M12x35 - 8,8 UNI 5739 - Z.

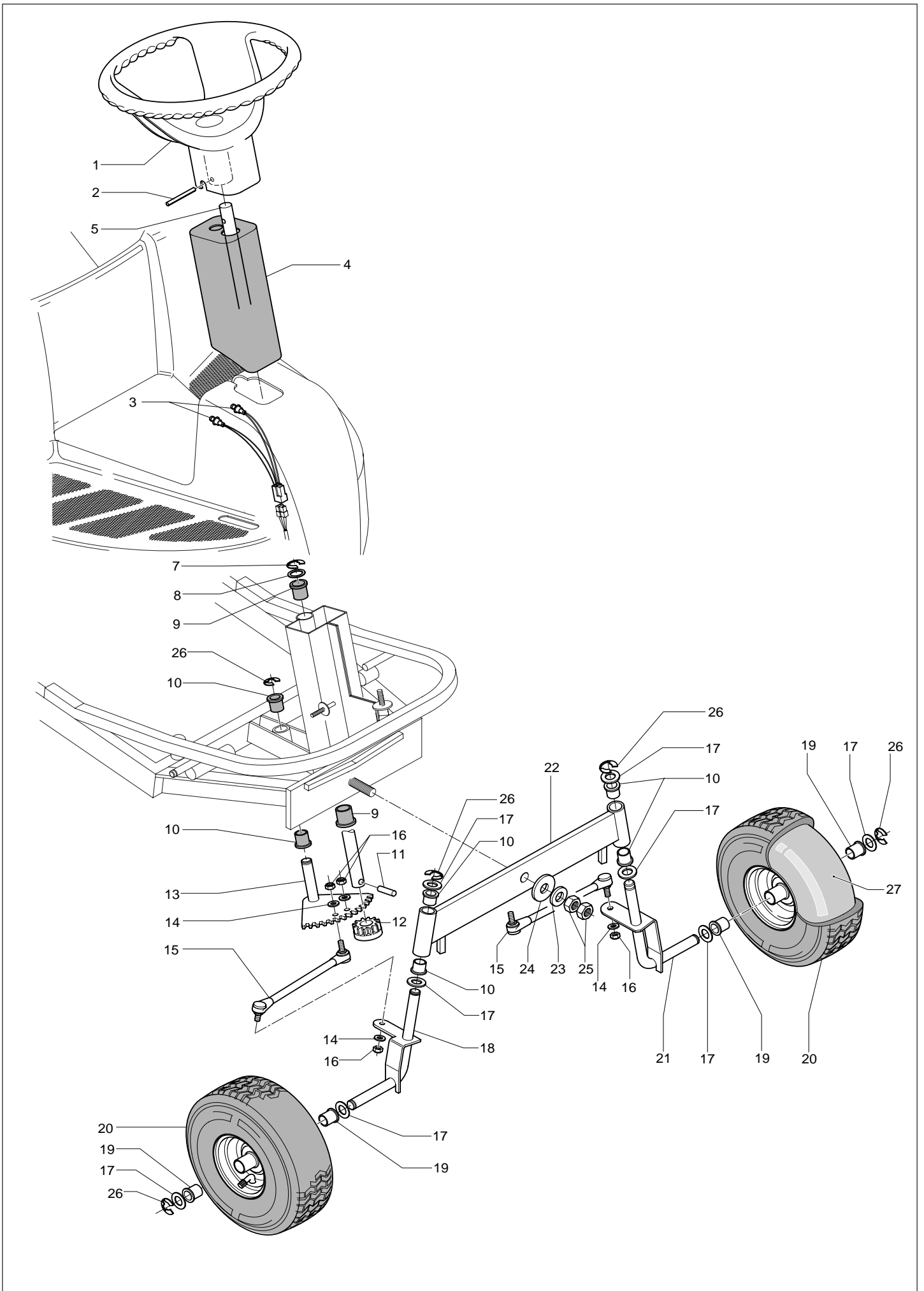
RIDING MOWER - TAV. 4

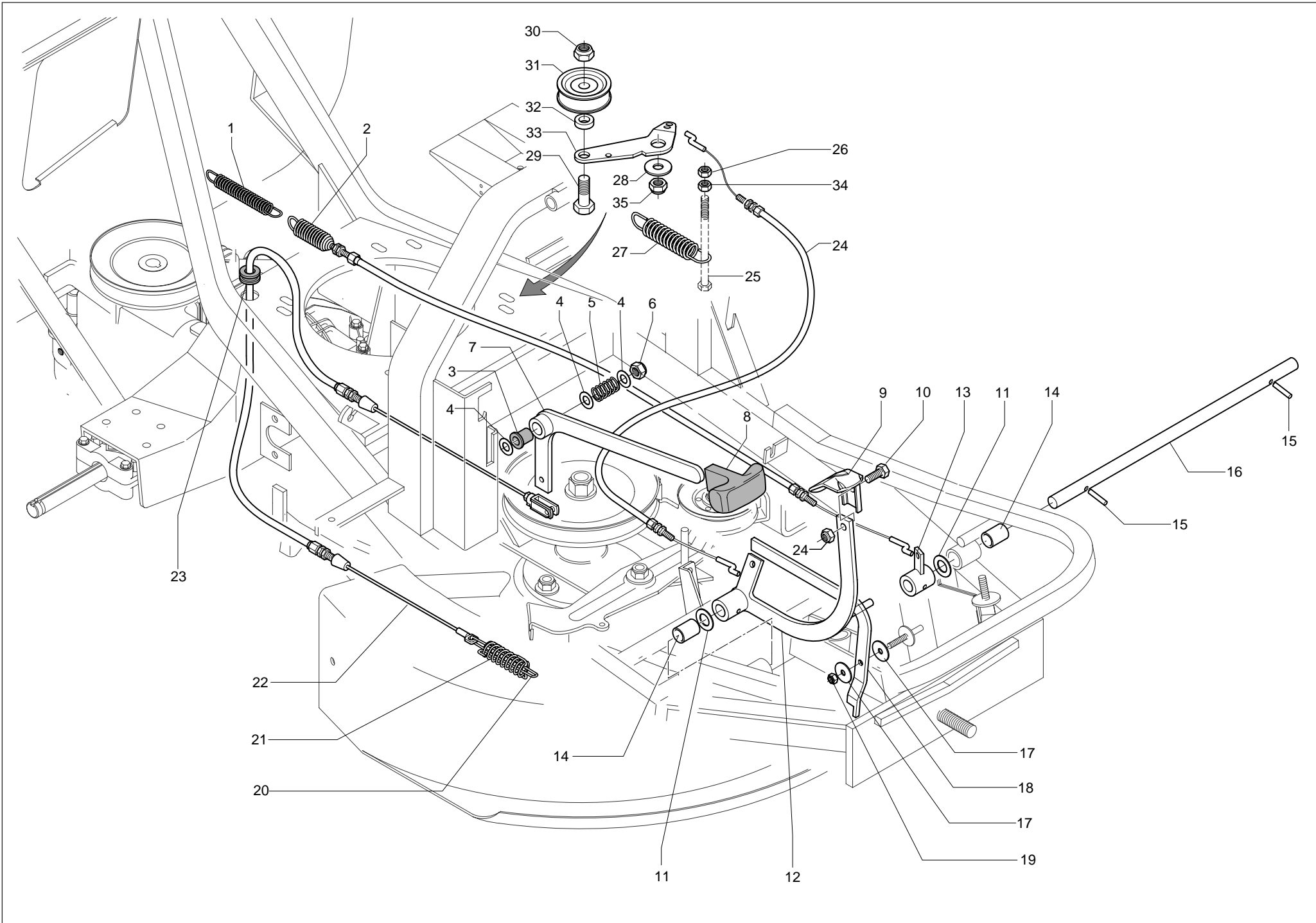
KITTELAIO - KIT CHASSIS - CHASSIS KIT - KIT RAHMEN - KIT CHASIS - KIT FRAME - KIT CHASSI - KIT KORPUS - KIT VAZ - KIT KOSTRA

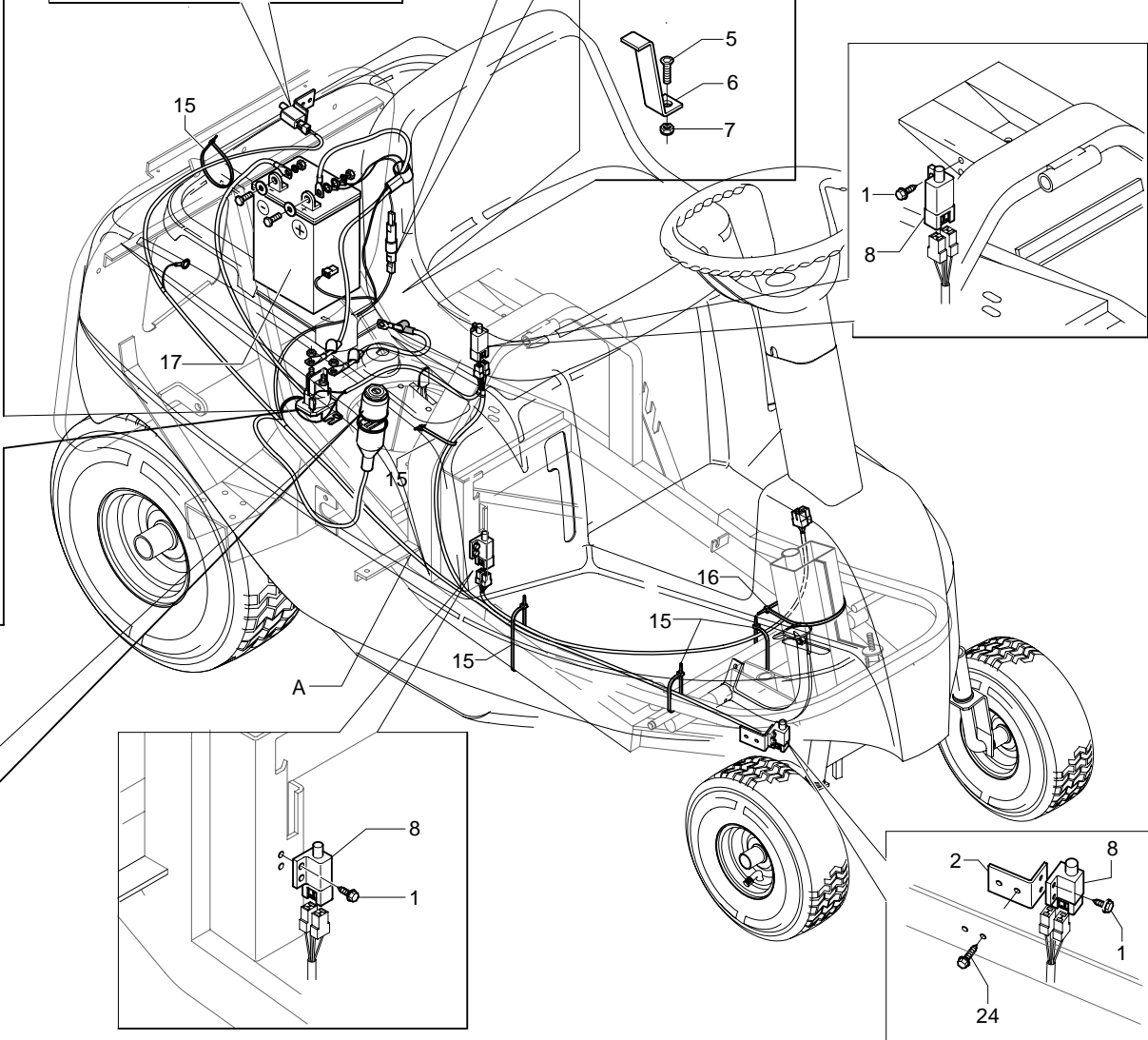
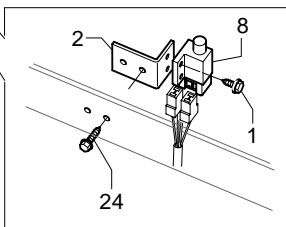
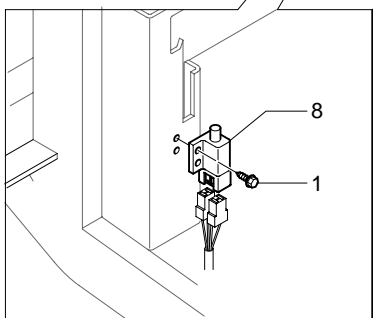
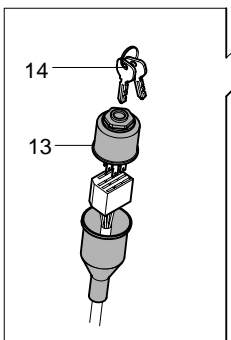
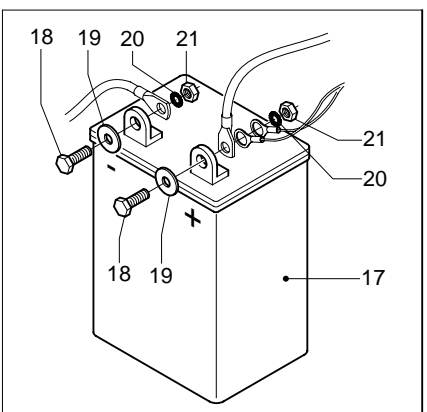
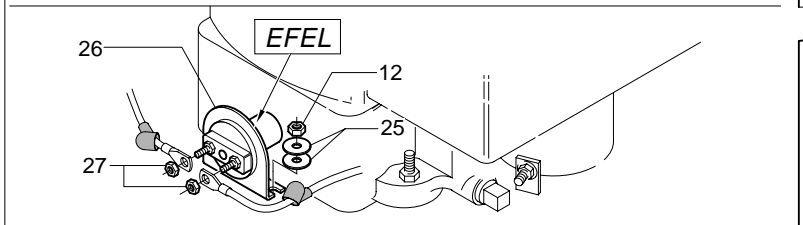
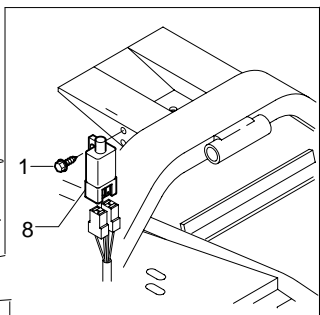
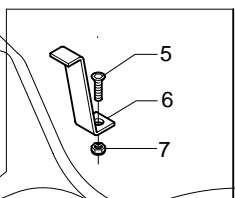
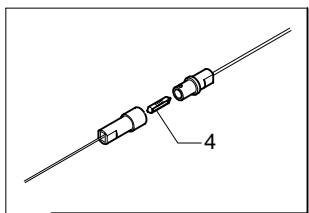
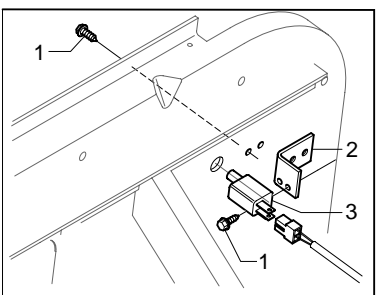
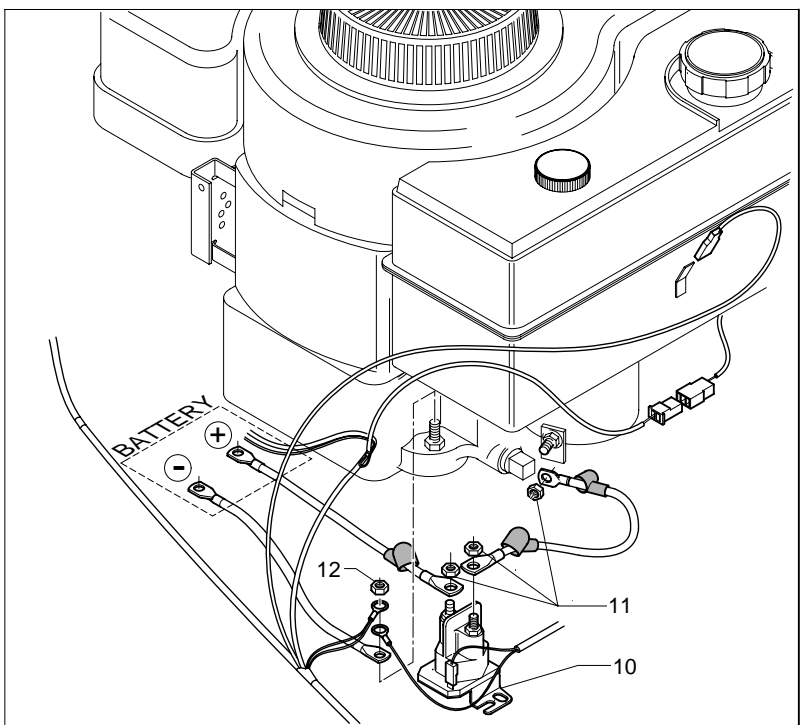


RIDING MOWER - TAV. 5

KIT STERZO - KIT ORG. DIRECTION - STEERING KIT - KIT STEUER - KIT DIRECCION - KIT STUUR - KIT DIRECÇÃO - KIT RAMIE - KIT KORMANY -
KIT VOLANTU



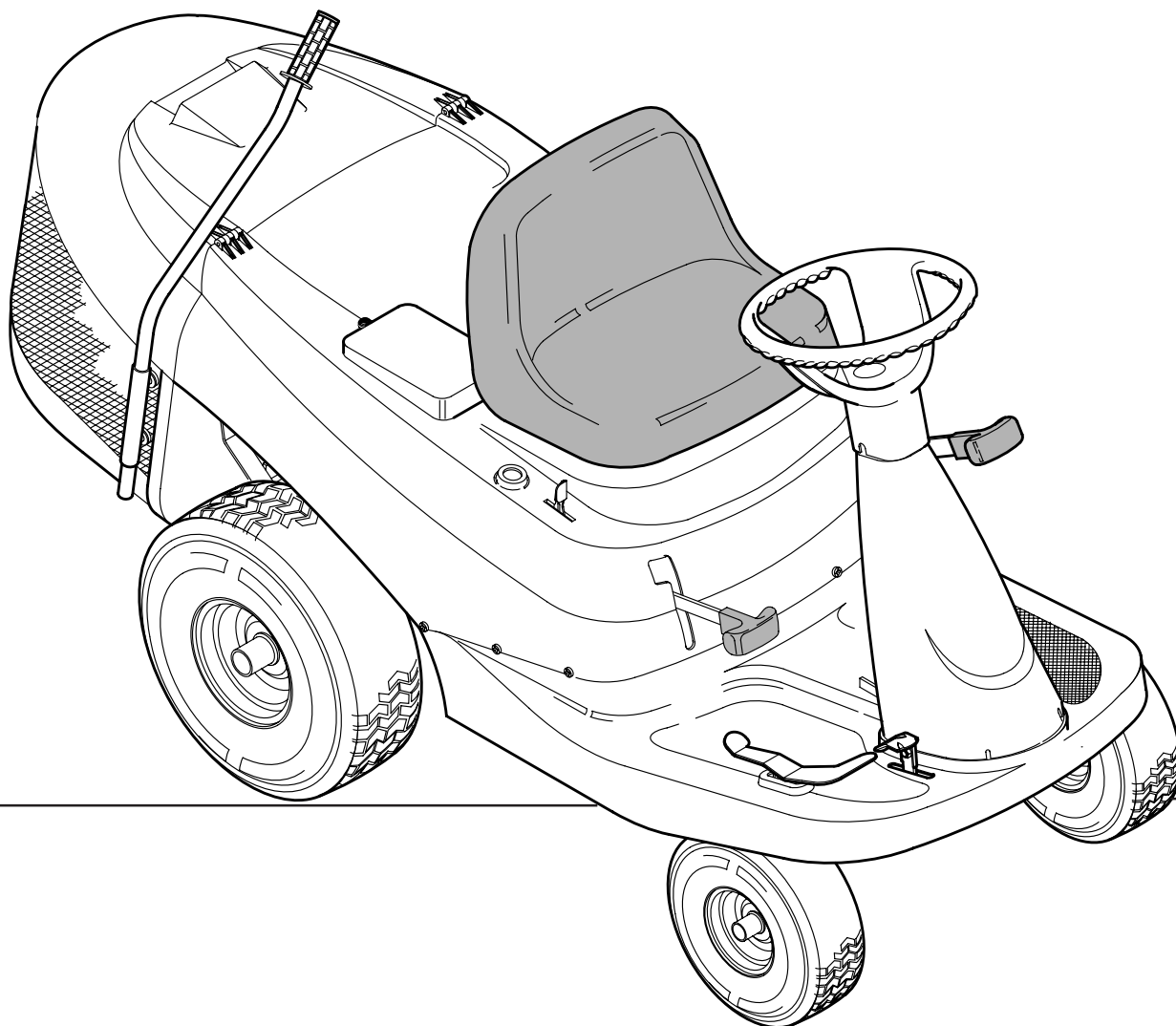






HYDROSTAR mod.67

HYDROMAX mod.76



TAV.1

Kit motore	Kit moteur	Motor kit	Kit motor	Kit motor
Kit motor	Kit motor	Kit silnik	Kit motor	Kit motor

TAV.2

Kit cambio	Kit transmission	Gear kit	Getriebe kit	Kit cambio
Kit versnelling	Kit câmbio	Kit bieg	Kit váltokar	Kit převodovka

TAV.3

Kit piatto	Kit plateau	Kit plate	Kit Teller	Kit plato
Kit bord	Kit prato	Kit talerz	Kit tanyer	Kit disk

TAV.4

Kit telaio	Kit châssis	Kit chassis	Kit Rahmen	Kit chasis
Kit frame	Kit chassi	Kit korpus	Kit váz	Kit kostra

TAV.5

Kit sterzo	Kit org.direction	Steering kit	Kit Steuer	Kit dirección
Kit stuur	Kit direção	Kit ramie	Kit kormany	kit volantu

TAV.6

Kit comandi	Kit commande	Control kit	Auftrag kit	Kit mando
Kit hendel	Kit alavanca	Kit dźwignia	Kit emelo	Kit paka

TAV.7

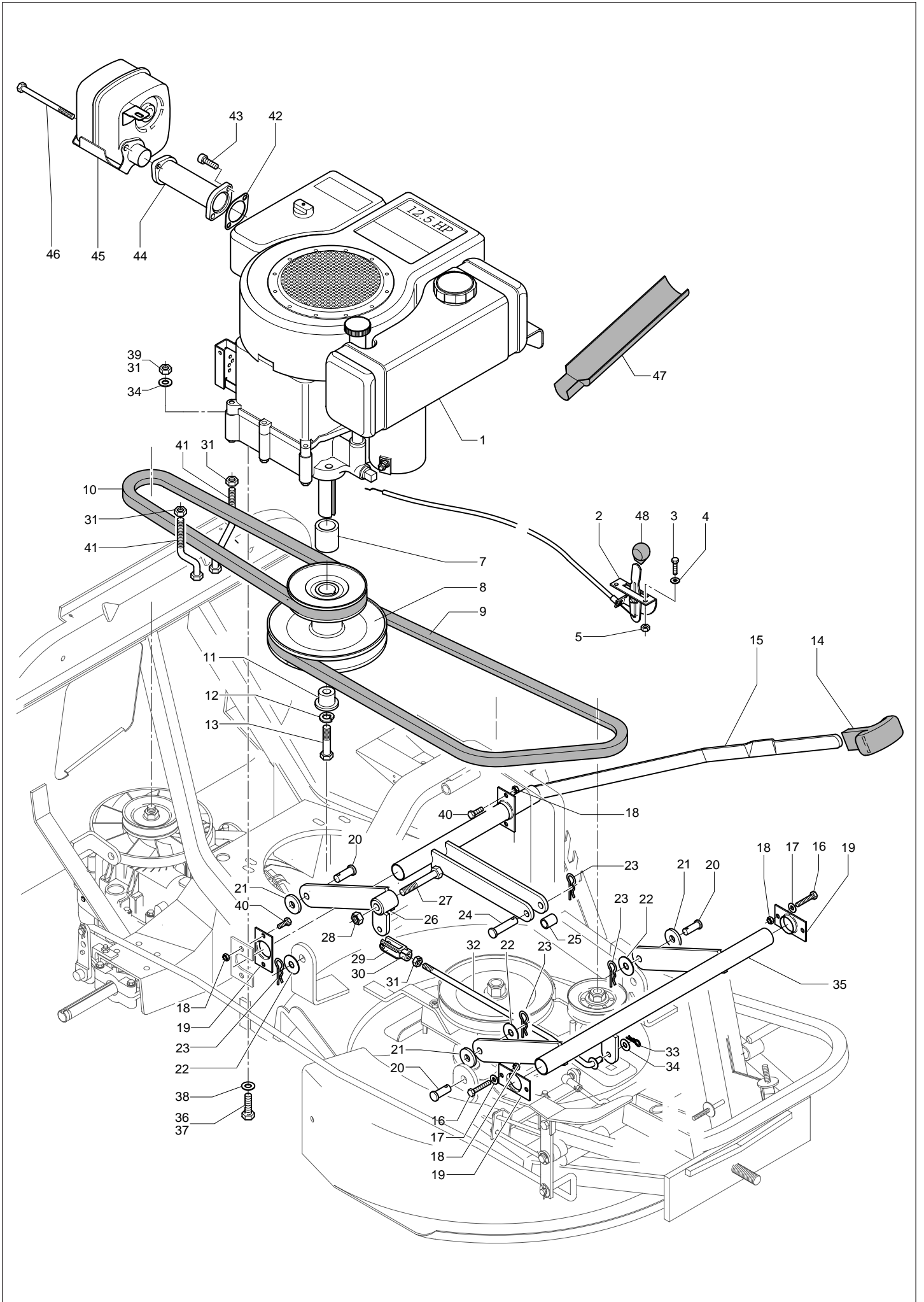
Kit imp.elettrico	Kit electrique	Electric kit	Kit Elektro	Kit electrico
Kit elektrisch	Kit electrica	Kit elektryczny	Kit elektromos	Kit elektrichy

TAV.8

Kit raccogliërba	Kit bac	Grass catcher kit	Grasfangkorbes kit	Kit cestillo
Kit cesto	Kit zbiornika na trawe	Felszerelése kit	Zberaca skosenej travy kit	Kit kostra

mod. 67 - TAV.1

KIT MOTORE - KIT MOTEUR - MOTOR KIT - KIT MOTOR - KIT MOTOR - KIT MOTOR - KIT MOTOR - KIT SILNIK - KIT MOTOR - KIT MOTOR



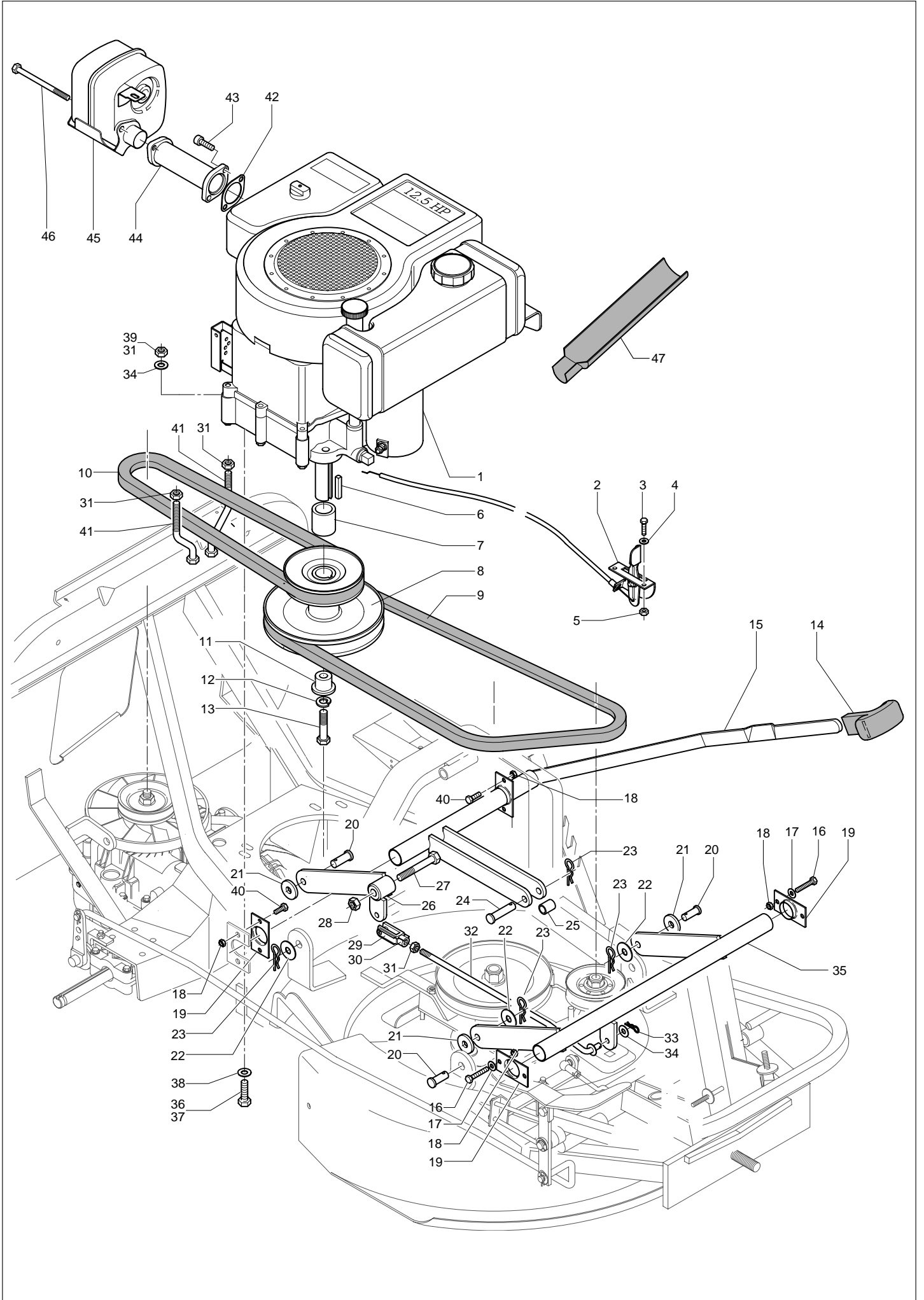
mod. 67 - TAV.1

KIT MOTORE - KIT MOTEUR - MOTOR KIT - KIT MOTOR - KIT MOTOR - KIT MOTOR - KIT SILNIK - KIT MOTOR - KIT MOTOR

N.ord. - N. pieces part. N. - bestell N.	RICAMBI SPARE PARTS	RECHANGES ERSATZTEILE	RECAMBIOS ONDERDELEN	SOBRESALIENTES CZĘŚCI ZAMIENNE	CSEREALKATRÉSZEK NÁHRADNÉ SÚCIÁSTKY	Q	
1 BS 28B7 07	motore motor	moteur Motor	motor motor	motor motor	motor motor	1	B&S 10,5HP I/CA.E.
1 TECNA T10	motore motor	moteur Motor	motor motor	motor motor	motor motor	1	TECUMSEH TVM 220
2 10 3034 30	acceleratore completo accelerator	accélérateur Gashebel	acelerador gashendel	acelerador gazu	elemo rychlostná	1	
3 10 8303 00	vite screw	vis Schraube	tornillo schroef	parafuso sruba	csavar skrutka	2	TE M5x16 UNI 5739-8,8 Z.
4 10 8050 00	rosetta piana washer	rondelle Scheibe	arandela borgring	aniha podkladka	alátét podlozka	2	Ø 5x10x1 ZB
5 20 2821 00	dado autobloccante nut	ecrou Mutter	tuerca moer	porca nakrętką	anya mática	2	M5-H7 UNI 7473-ZB
6 10 3029 40	linguetta tab	languette Lasche	lengueta lipje	lingueta wpuśt	nyelvecske kín	1	6,3x6,3x38H UNI 6604-69-A
7 10 3018 90	distanziale superiore upper spacer	entretoise supérieure Oberes Distanzstück	distanciador superior bonveste afstandstuk	separador superior przekładka górna	felső távolítói horní rozperka	1	Ø 25,5x35x38 H
8 10 3018 20	puleggia motore pulley	poëlie Riemenscheibe	polea motor poëlie	polie do motor kółko zamachowe	tárcsa remenica motora	1	
9 10 3015 00	cinghia belt	courroie Keilriemen	correa riem	correia pasel napędowy	ékszíj remen	1	SPA 1180
10 10 3001 30	cinghia belt	courroie Keilriemen	correa riem	correia pasel napędowy	ékszíj remen	1	A 35 1/2
11 10 3019 00	distanziale inferiore lower spacer	entretoise inférieure Unteres Distanzstück	distanciador inferior anderste afstandstuk	separador inferior przekładka dolna	alsó távolítói dolní rozperka	1	Ø 12x25,3x23,5 H
12 10 3019 20	rosetta elastica washer	rondelle Scheibe	arandela borgring	aniha podkladka	alátét podlozka	1	Ø 12 RINF. UNI 9195
13 10 3019 10	vite screw	vis Schraube	tornillo schroef	parafuso sruba	csavar skrutka	1	TE 7/16" UNF"x2"
14 10 3302 53	manopola nera block knob	poignée noire Schwarzer Griff	manopla negra zwarte knop	botão preto uchwyt czarny	fekete huzókar cerná rukojeť	1	
15 10 3006 50	leva compl.solleiv.lama cutter lift complete lever	levier compl.soulev.lame Kompl. Messerhebel	palanca compl.lev.cuchilla hendel opheffing mes	alavanca compl.lev.lamina dźwignia podnoszenia ostrza	komp.pengeemelóemeltű komp.páka zdvihnúti noze	1	
16 10 5010 00	vite screw	vis Schraube	tornillo schroef	parafuso sruba	csavar skrutka	4	TE M6x35 UNI 5737-8,8 Z.
17 10 1260 00	rosetta piana washer	rondelle Scheibe	arandela borgring	aniha podkladka	alátét podlozka	3	Ø 6x18x1,5
18 20 2818 00	dado autobloccante nut	ecrou Mutter	tuerca moer	porca nakrętką	anya mática	8	M6 - H8 UNI 7473 Z.
19 10 3006 80	supporto cerniera hinge support	support charnière Scharnierhalter	soporte cremallera scharnier support	suporte dobradica oparcie zawiasy	csuklóspántartó držák závěsu	3	
20 10 3027 20	perno sollevam.piatto plate lift pin	pivot soulèvement.plateau Tellerhebezapfen	perno levantam.plato pen voor opheffing bord	perno levantam.prato sworzen podnoszenia	tányéremelőtengely cep zdvihnúti dčku	3	Ø 10x29
21 10 3011 70	rondella in nylon washer	rondelle Scheibe	arandela borgring	aniha podkladka	alátét podlozka	3	Ø 10x30x3
22 20 1130 00	rosetta piana washer	rondelle Scheibe	arandela borgring	aniha podkladka	alátét podlozka	3	Ø 10x30x2,5
23 10 3027 60	coppiglia elastica centr. central elastic split pin	goupille élastique centr. Mittlerer Gummisplint	clavija elástica central centr.elastische splitpen	pino elástico central zawieszka elast.cent.	csavaranyabiztosítás pruziná závlacka sredná	4	Ø 2,5x50
24 10 3027 10	perno sollevam.piatto plate lift pin	pivot soulèvement.plateau Tellerhebezapfen	perno levantam.plato pen voor opheffing bord	perno levantam.prato sworzen podnoszenia	tányéremelőtengely cep zdvihnúti dčku	1	Ø 10x45
25 10 3022 40	boccola bushing	douille Buchse	casquillo huls	casquillo tuleja	csapágycsősze pouzdro	1	Ø 11x14x19 H Z
26 10 3011 50	leveraggio posteriore rear leverage	leviers arrières Hinteres Hebelwerk	palancas posterior achterste hendel	palanca traseira układ dźwigni tylny	hátsó emelőrendszer rész pákoy mechanizmus	1	
27 10 3008 30	vite screw	vis Schraube	tornillo schroef	parafuso sruba	csavar skrutka	1	TSPEI M10x70 UNI 5933-8,8 Z
28 10 5011 60	dado autobloccante nut	ecrou Mutter	tuerca moer	porca nakrętką	anya mática	1	M10-H12 UNI 7473 Z.
29 10 3010 20	snodo kalvas kalvas joint	articulation kalvas Kalvas-Gelenk	articulación kalvas kalvas geleding	articulação kalvas przegub kalvas	kalvas csukló kloub pro kalvas	1	M8x32 UNI 1676 L=58
30 10 3012 20	clips per kalvas clips for kalvas	clips pour kalvas Kalvas-Klips	clips para kalvas klemmen voor kalvas	grampos para kalvas zaciski do kalvas	kalvas kapocs spona pro kalvas	1	M8 TIPO LUNGO
31 20 1063 00	dado nut	ecrou Mutter	tuerca moer	porca nakrętką	anya mática	2	M8 UNI 5587
32 10 3010 00	tirante sollevam.piatto plate lift tie rod	tirant soulèvement.plateau Tellerhebestange	tirante levantam.plato trekstang voor oph.bord	extensor levant.prato ciągno podnoszenia	tányéremelő tartórúd tárho zdvihnúti disku	1	
33 10 2814 00	coppiglia elastica elastic split pin	goupille élastique elastische split pin	clavija elástica elasatische splitpen	pino elástico elastyczna	csavaranyabiztosítás pruzná závlacka	1	Ø 1,8x33
34 10 1142 00	rosetta piana washer	rondelle Scheibe	arandela borgring	aniha podkladka	alátét podlozka	5	Ø 8x16x1,5 Z.
35 10 3012 00	leveraggio anteriore front leverage	leviers avant Vorderes Hebelwerk	palancas anterior voorstel hendel	palanca dianteira układ dźwigni przedni	első emelőrendszer p'edni pákoy mechaniz.	1	
36 10 1217 00	vite screw	vis Schraube	tornillo schroef	parafuso sruba	csavar skrutka	3	TE M8x35 UNI 5737-8,8 Z.
37 10 0691 00	vite screw	vis Schraube	tornillo schroef	parafuso sruba	csavar skrutka	1	TE M8x45 UNI 5739 -8,8 Z.
38 10 0663 00	rosetta piana washer	rondelle Scheibe	arandela borgring	aniha podkladka	alátét podlozka	4	Ø 8x24x2
39 20 4049 00	dado autobloccante nut	ecrou Mutter	tuerca moer	porca nakrętką	anya mática	3	M8-H10 UNI 7473
40 20 5013 70	vite screw	vis Schraube	tornillo schroef	parafuso sruba	csavar skrutka	4	TE M6x20 UNI 5739 8,8 Z.
41 30 3025 40	vite screw	vis Schraube	tornillo schroef	parafuso sruba	csavar skrutka	2	TE M8x120 UNI 5737 - Z
42 20 3032 20	guarnizione gasket	garniture Dichtung	junta pakking	garnição uszczelka	tömítés teszenie	1	B&S
42 20 3303 30	guarnizione gasket	garniture Dichtung	junta pakking	garnição uszczelka	tömítés teszenie	1	TECUMSEH
43 10 3027 30	vite screw	vis Schraube	tornillo schroef	parafuso sruba	csavar skrutka	2	TCEI 5/16" UNC x5/8"
44 20 3018 50	tubo prolunga mamitta tube	tuyau Röhre	tubo stang	tubo os	vonórúd tyc	1	B&S
44 20 3302 80	tubo prolunga mamitta tube	tuyau Röhre	tubo stang	tubo os	vonórúd tyc	1	TECUMSEH
45 20 3032 00	silenziatore/delettore/viti silencer	silensieux Schalldämpfer	silenciador silencer	silencer silencer	silencer silencer	1	B&S
45 20 3303 40	silenziatore/delettore/viti silencer	silensieux Schalldämpfer	silenciador silencer	silencer silencer	silencer silencer	1	TECUMSEH
46 20 3032 10	tirante tie rod	tirant Zugstange	tirante trekstang	tirante łącznik	vonórúd tiahlo	2	TE Ø 11x91-B&S
46 20 3303 50	tirante tie rod	tirant Zugstange	tirante trekstang	tirante łącznik	vonórúd tiahlo	2	TE Ø 11x116 TECUMSEH
47 10 3303 83	imbuto cambio olio funnel oil change	entonnoir Trichter	embudo funnel oil change	funnel oil change funnel oil change	funnel oil change funnel oil change	1	
48 10 3034 03	pomolo knob	poignée Griff	manopla knop	botão uchwyt	kuzókar rutojeť	1	

mod. 76 - TAV.1

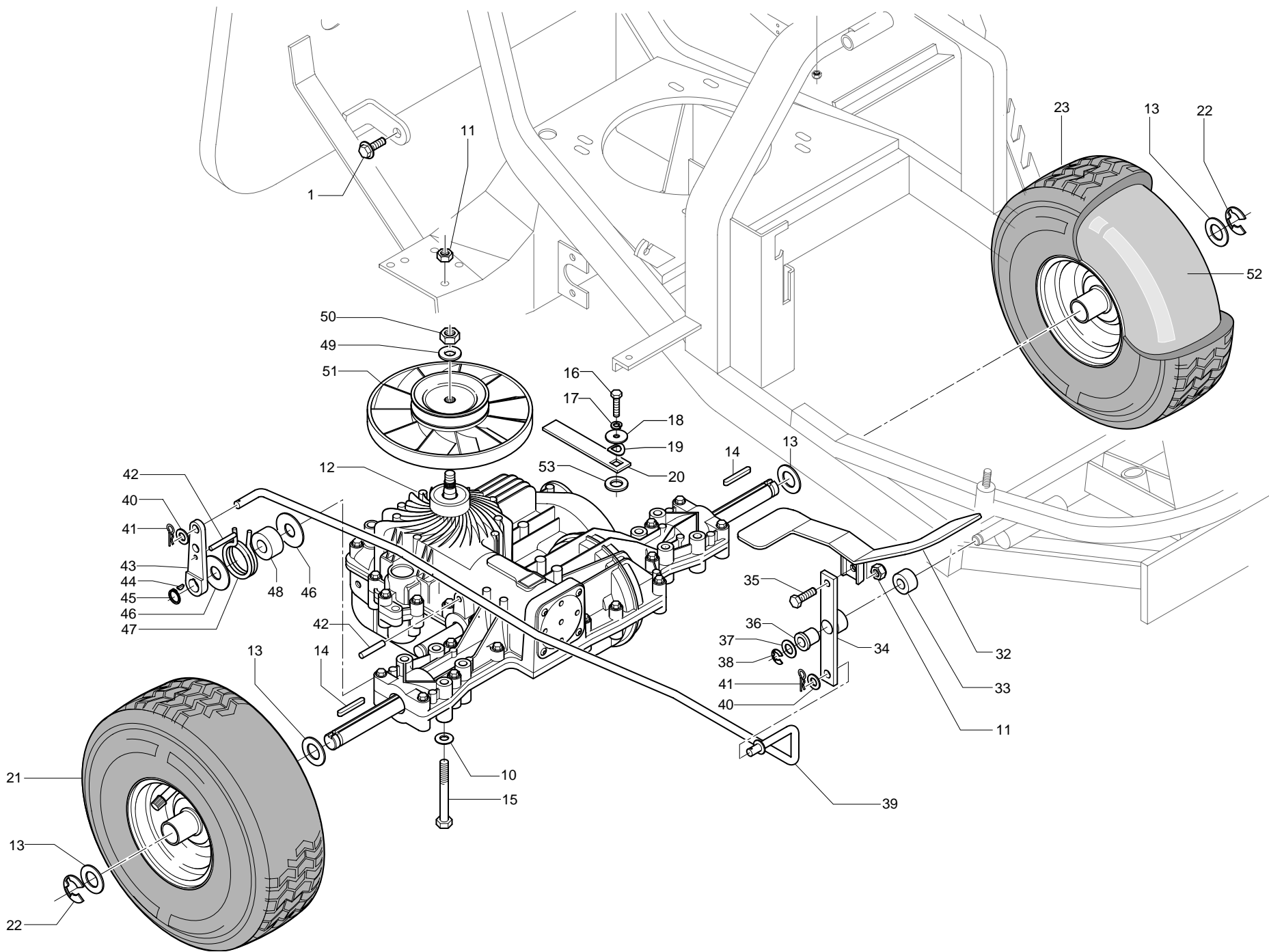
KIT MOTORE - KIT MOTEUR - MOTOR KIT - KIT MOTOR - KIT MOTOR - KIT MOTOR - KIT MOTOR - KIT SILNIK - KIT MOTOR - KIT MOTOR



mod. 76 - TAV.1

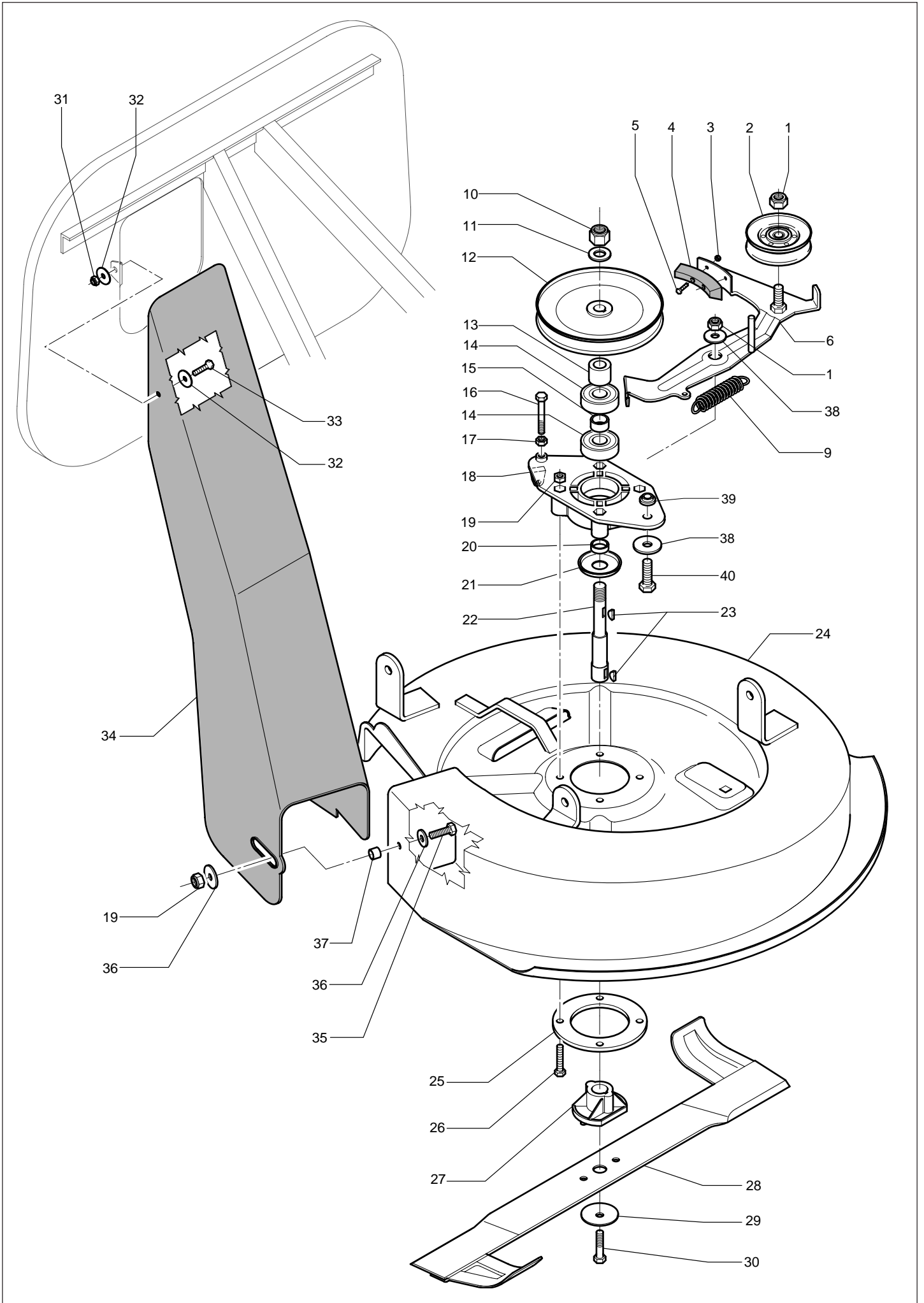
KIT MOTORE - KIT MOTEUR - MOTOR KIT - KIT MOTOR - KIT MOTOR - KIT MOTOR - KIT MOTOR - KIT MOTOR - KIT MOTOR

N.ord. - N. pieces part. N. - Bestell N.	RICAMBI SPARE PARTS	RECHANGES ERSATZTEILE	RECAMBIOS ONDERDELEN	SOBRESSALENTES CZĘŚCI ZAMIENNE	CSEREALKATRÉSZEK NAHRADNÉ SÚČIASTKY	Q	
1 BS 28B7 07	motore motor	moteur Motor	motor motor	motor silnik	motor motor	1	B&S 12,5HP I/CA.E.
1 TECNA T10	motore motor	moteur Motor	motor motor	motor silnik	motor motor	1	TECUMSEH TVM 220
2 10 3034 30	acceleratore completo accelerator	accélérateur Gashebel	acelerador gashendel	acelerador gazu	elemő rychlostná	1	
3 10 8303 00	vite screw	vis Schraube	tornillo schroef	parafuso sruba	csavar skrutka	2	TE M5x16
4 10 8050 00	rosetta piana washer	rondelle Scheibe	arandela borgring	aniha podkladka	alátét podložka	2	Ø 5x10x1 ZB
5 20 2821 00	dado autobloccante nut	écrou Mutter	tuerca moer	porca nakrętką	anya mática	2	M5-H7 UNI 7473-ZB
7 10 3033 70	distanziale superiore upper spacer	entretoise supérieure Oberes Distanzstück	distanciador superior bonveste afstandstuk	separador superior przekładka górna	felső távolító horní rozperka	1	Ø 25,5x35x28 H
8 10 3031 50/A	puleggia motore pulley	poulie Riemenscheibe	polea motor poelie	polie do motor kółko zamachowe	tárcsa remenica motora	1	
9 10 3301 40	cinghia belt	courroie Keilriemen	correa riem	correa pasel napędowy	ékszjíz remen	1	SPA 1232 LW
10 10 3001 30	cinghia belt	courroie Keilriemen	correa riem	correa pasel napędowy	ékszjíz remen	1	A 35 1/2
11 10 3019 00	distanziale inferiore lower spacer	entretoise inférieure Unteres Distanzstück	distanciador inferior ardeste afstandstuk	separador inferior przekładka dolna	alsó távolító dolní rozperka	1	Ø 12x25,3x23,5 H
12 10 3019 20	rosetta elastica washer	rondelle Scheibe	arandela borgring	aniha podkladka	alátét podložka	1	Ø 12 RINF. UNI 9195
13 10 3019 10	vite screw	vis Schraube	tornillo schroef	parafuso sruba	csavar skrutka	1	TE 7/16" UNF x 2"
14 10 3302 53	manopola nera block knob	poignée noire Schwarzer Griff	manopla negra zwarte knop	botão preto uchwyt czarny	fekete huzókar cerná rukojeť	1	19x5
15 10 3032 30	leva compl.solleiv.lama cutter lift complete lever	levier compl.soulev.lame Kompl. Messerhebel	palanca compl.lev.cuchilla hendel opheffing mes	alavanca compl.lev.lamina dźwignia podnoszenia ostrza	komp.pengeemelőemeltű komp.páka zdvihnúti nože	1	
16 10 5010 00	vite screw	vis Schraube	tornillo schroef	parafuso sruba	csavar skrutka	4	TE M6x35 UNI 5737-8,8 Z.
17 10 1260 00	rosetta piana washer	rondelle Scheibe	arandela borgring	aniha podkladka	alátét podložka	4	Ø 6x18x1,5
18 20 2818 00	dado autobloccante nut	écrou Mutter	tuerca moer	porca nakrętką	anya mática	8	M6 - H8 UNI 7473 Z.
19 10 3006 80	supporto cerniera hinge support	support charnière Scharnierhalter	soporte cremallera scharnier support	suporte dobradiça oparcie zawiasy	csuklóspántartó držák závesu	3	
20 10 3027 20	perno sollevam.piatto plate lift pin	pivot soulèvement.plateau Tellerhebezapfen	perno levantam.plato pen voor opheffing bord	perno levantam.prato sworzen podnoszenia	tányéremelőtengely cep zdvihnúti dčku	3	Ø 10x29
21 10 3011 70	rondella in nylon washer	rondelle Scheibe	arandela borgring	aniha podkladka	alátét podložka	3	Ø 10x30x3
22 20 1130 00	rosetta piana washer	rondelle Scheibe	arandela borgring	aniha podkladka	alátét podložka	3	Ø 10x30x2,5
23 10 3027 60	coppiglia elastica centr. central elastic split pin	goupille élastique centr. Mittlerer Gummisplint	clavija elástica central centr.elastische splitpen	pino elástico central zawleciska elast.cent.	csavaranyabiztosítás pruziná závlacka sredná	4	Ø 2,5x50
24 10 3027 10	perno sollevam.piatto plate lift pin	pivot soulèvement.plateau Tellerhebezapfen	perno levantam.plato pen voor opheffing bord	perno levantam.prato sworzen podnoszenia	tányéremelőtengely cep zdvihnúti dčku	1	Ø 10x45
25 10 3022 40	boccola bushing	douille Buchse	casquillo huls	casquillo tuleja	csapágycsésze pouzdro	1	Ø 11x14x19 H Z
26 10 3011 50	leveraggio posteriore rear leverage	leviers arrières Hinteres Hebelwerk	palancas posterior achterste hendel	palanca traseira układ dźwigni tylny	hátsó emeltűrendszer zasní pákový mechanizmus	1	
27 10 3008 30	vite screw	vis Schraube	tornillo schroef	parafuso sruba	csavar skrutka	1	TSPEI M10x70 UNI 5933-8,8 Z
28 10 5011 60	dado autobloccante nut	écrou Mutter	tuerca moer	porca nakrętką	anya mática	1	M10-H12 UNI 7473 Z.
29 10 3010 20	snodo kalvas kalvas joint	articulation kalvas Kalvas-Gelenk	articulación kalvas kalvas geleding	articulação kalvas przegub kalvas	kalvas csukló kloub pro kalvas	1	M8x32 UNI 1676 L=58
30 10 3012 20	clips per kalvas clips for kalvas	clips pour kalvas Kalvas-Klips	clips para kalvas klemmen voor kalvas	grampos para kalvas zaciski do kalvas	kalvas kapocs spona pro kalvas	1	M8 TIPO LUNGO
31 20 1063 00	dado nut	écrou Mutter	tuerca moer	porca nakrętką	anya mática	4	M8 UNI 5587
32 10 3010 00	tirante sollevam.piatto plate lift tie rod	tirant soulèvement.plateau Tellerhebestange	tirante levantam.plato trekstang voor oph.bord	extensor levant.prato ciągno podnoszenia	tányéremelő tartórúd táho zdvihnúti disku	1	
33 10 2814 00	coppiglia elastica elastic split pin	goupille élastique Gummisplint	clavija elástica elasatische splitpen	pino elástico zawleciska elastycsna	csavaranyabiztosítás pruzná závlacka	1	Ø 1,8x33
34 10 1142 00	rosetta piana washer	rondelle Scheibe	arandela borgring	aniha podkladka	alátét podložka	5	Ø 8x16x1,5 Z.
35 10 3012 00	leveraggio anteriore front leverage	leviers avant Vorderes Hebelwerk	palancas anterior voorste hendel	palanca dianteira układ dźwigni przedni	első emeltűrendszer pr'edni pákový mechaniz.	1	
36 10 1217 00	vite screw	vis Schraube	tornillo schroef	parafuso sruba	csavar skrutka	3	TE M8x35 UNI 5737-8,8 Z.
37 10 0691 00	vite screw	vis Schraube	tornillo schroef	parafuso sruba	csavar skrutka	1	TE M8x45 UNI 5739 -8,8 Z.
38 10 0663 00	rosetta piana washer	rondelle Scheibe	arandela borgring	aniha podkladka	alátét podložka	4	Ø 8x24x2
39 20 4049 00	dado autobloccante nut	écrou Mutter	tuerca moer	porca nakrętką	anya mática	3	M8-H10 UNI 7473
40 20 5013 70	vite screw	vis Schraube	tornillo schroef	parafuso sruba	csavar skrutka	4	TE M6x20 UNI 5739 8,8 Z.
41 10 3032 80	vite guarnizione screw	vis Schraube	tornillo schroef	parafuso sruba	csavar skrutka	2	TE M8x120 UNI 5737-8,8 Z.
42 20 3032 20	guarnizione gasket	garniture Dichtung	junta pakking	garnição uszczelka	tömítés teszenie	1	B&S
42 20 3303 30	guarnizione gasket	garniture Dichtung	junta pakking	garnição uszczelka	tömítés teszenie	1	TECUMSEH
43 10 3027 30	vite screw	vis Schraube	tornillo schroef	parafuso sruba	csavar skrutka	2	TCEI 5/16" UNC x5/8"
44 20 3018 50	tubo prolunga mamitta tube	tuyau Röhre	tubo stang	tubo os	vonórúd tyc	1	H.118 -B&S
44 20 3302 80	tubo prolunga mamitta tube	tuyau Röhre	tubo stang	tubo os	vonórúd tyc	1	TECUMSEH
45 20 3032 00	silenziatore/delettore/viti silencer	silensieux Schalldämpfer	silenciador silencer	silencer silencer	silencer silencer	1	B&S
45 20 3303 40	silenziatore/delettore/viti silencer	silensieux Schalldämpfer	silenciador silencer	silencer silencer	silencer silencer	1	TECUMSEH
46 20 3032 10	tirante tie rod	tirant Zugstange	tirante trekstang	tirante łącznik	vonórúd tiahlo	2	TE Ø 11x91- B&S
46 20 3303 50	tirante tie rod	tirant Zugstange	tirante trekstang	tirante łącznik	vonórúd tiahlo	2	TE Ø 11x116 TECUMSEH
47 10 3303 83	imbuto cambio olio funnel oil change	entonnoir Trichter	embudo funnel oil change	funnel oil change funnel oil change	funnel oil change funnel oil change	1	
48 10 3034 03	pomolo knob	poignée Griff	manopla knop	botão uchwyt	kuzokar rutojeť	1	



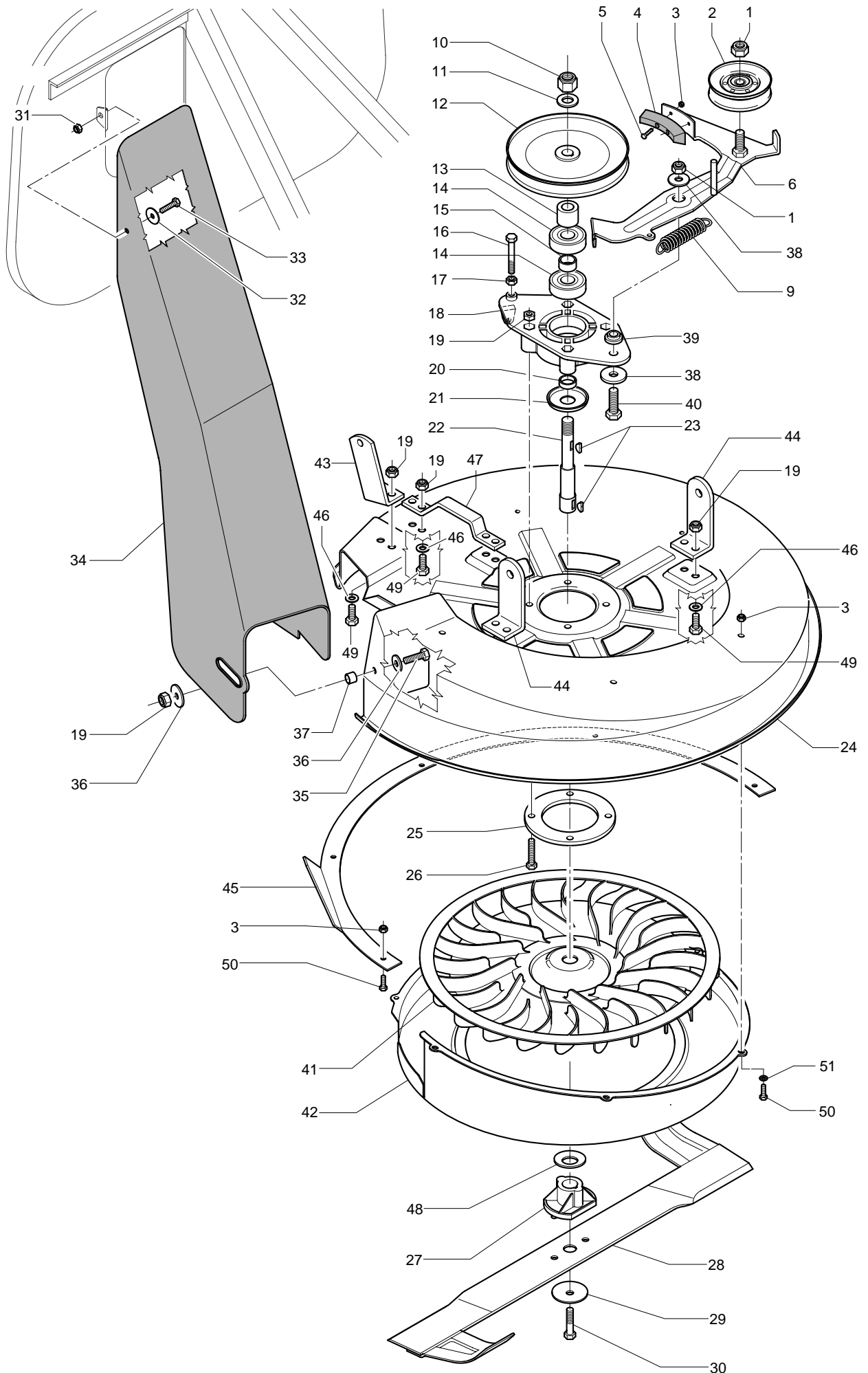
mod. 67 - TAV. 3

KIT PIATTO - KIT PLATEAU - KIT PLATE - KIT TELLER - KIT PLATO - KIT BORD - KIT PRATO - KIT TALERZ - KIT TANYER - KIT DISK



mod. 76 - TAV. 3

KIT PIATTO - KIT PLATEAU - KIT PLATE - KIT TELLER - KIT PLATO - KIT BORD - KIT PRATO - KIT TALERZ - KIT TANYER - KIT DISK



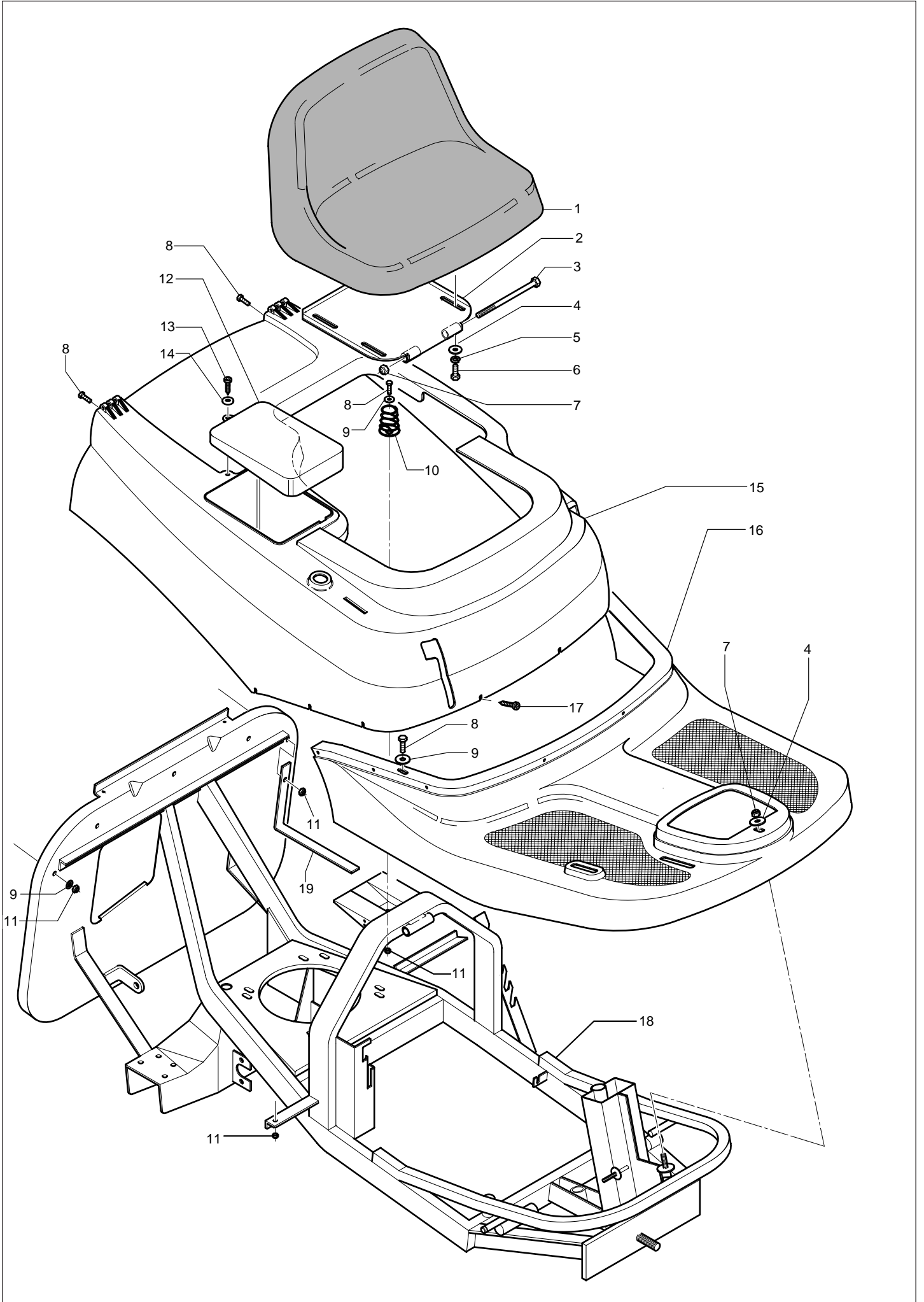
mod. 76 - TAV. 3

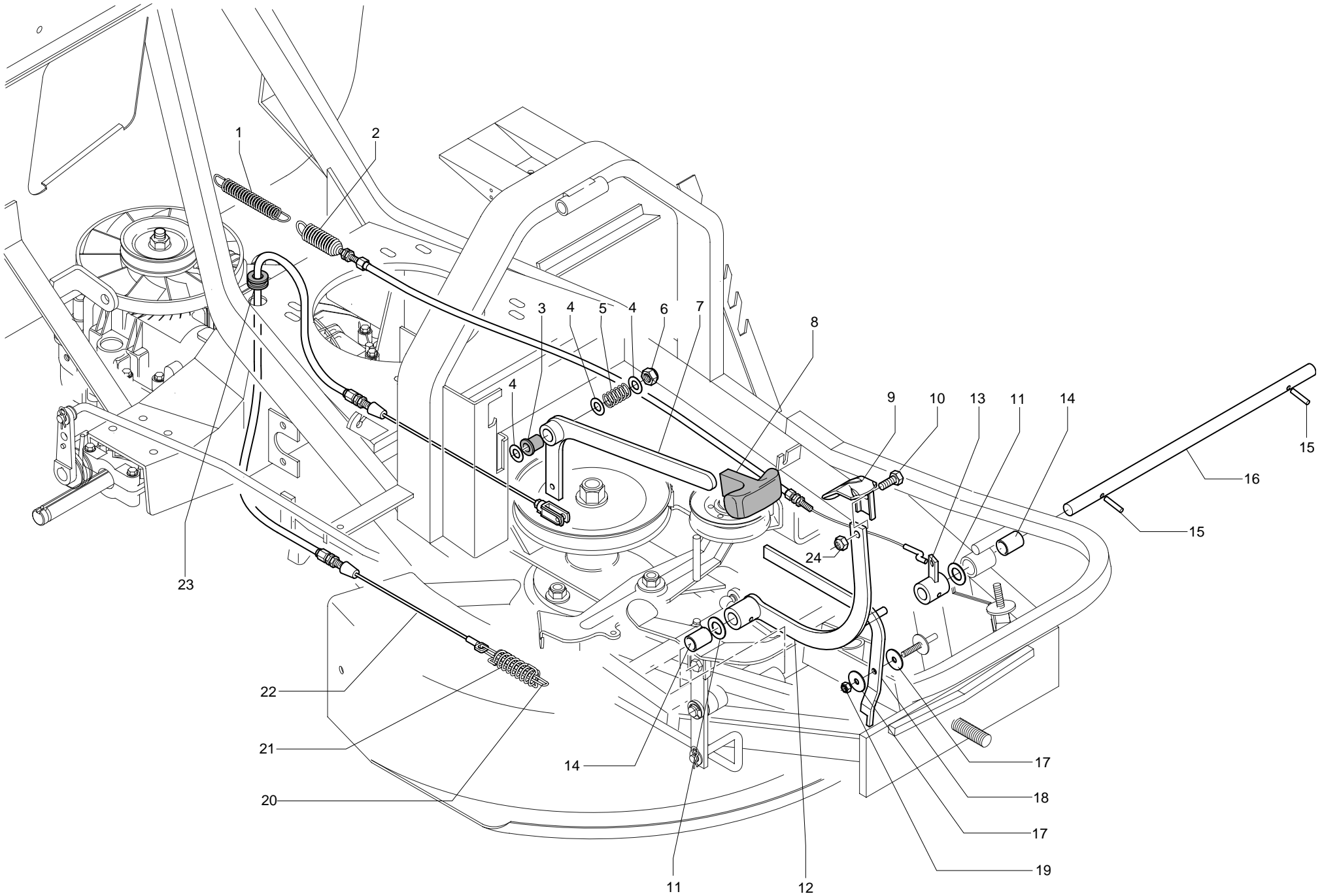
KIT PIATTO - KIT PLATEAU - KIT PLATE - KIT TELLER - KIT PLATO - KIT BORD - KIT PRATO - KIT TALERZ - KIT TANYER - KIT DISK

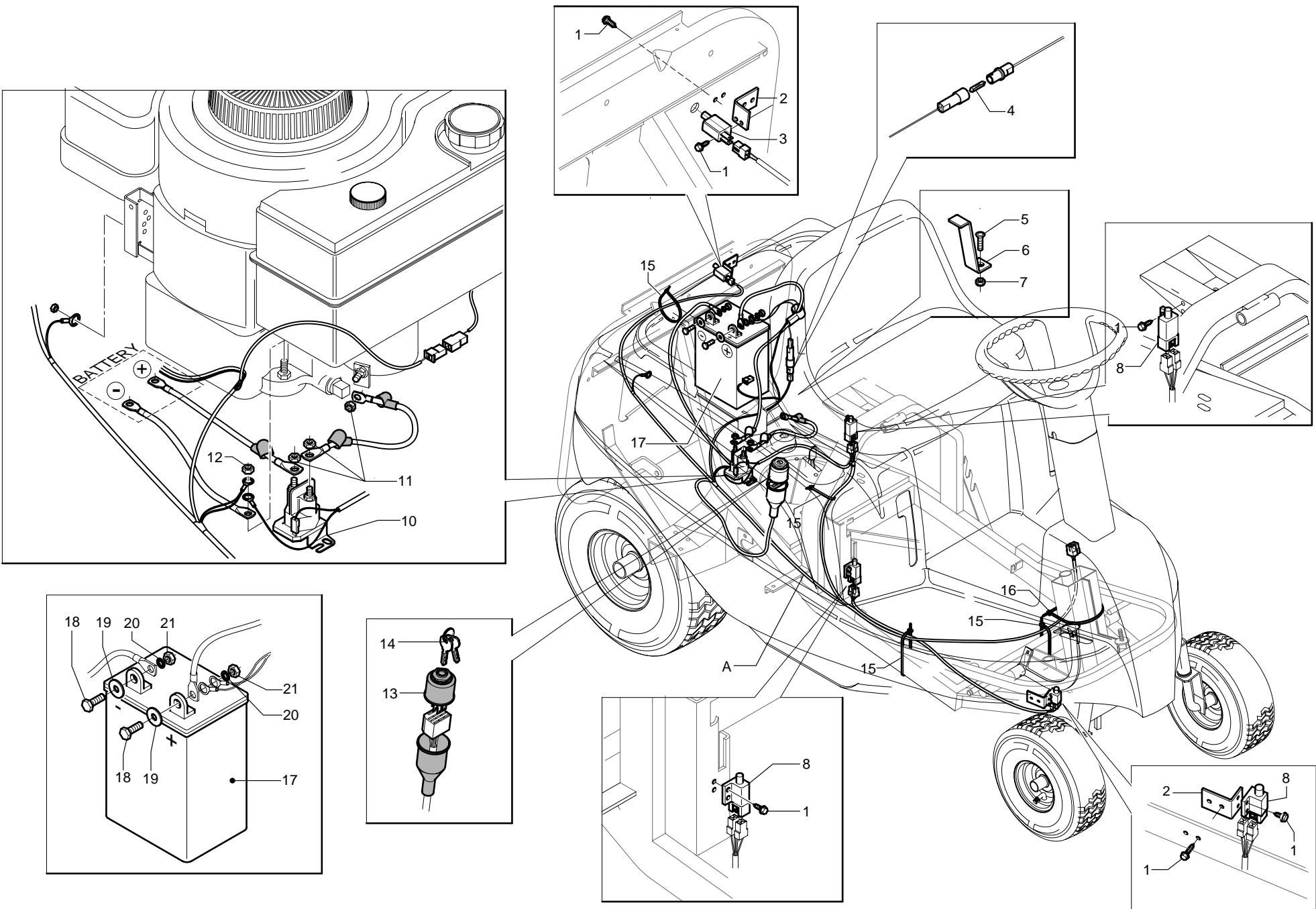
N.ord. - N. pieces part. N. - Bestell N.	RICAMBI SPARE PARTS	RECHANGES ERSATZTEILE	RECAMBIOS ONDERDELEN	SOBRESSALENTES CZĘŚCI ZAMIENNE	CSEREALKATRÉSZEK NAHRADNÉ SÚCIÁSTKY	Q	
1 10 3015 60	dado autobloccante nut	ecrou Mutter	tuerca moer	porca nakrętką	anya matíca	2	M12-H.14 UNI 7473 Z.
2 10 3015 50	ruota tendicinghia belt-tightener wheel	roue tendeur courroie Riemenspannrad	nueda tensora de correa riemspanner-wiel	roda estender correia kolo naprężacza pasa	szíjfeszítőkerek napinací kolo remenu	1	
3 20 2821 00	dado autobloccante nut	ecrou Mutter	tuerca moer	porca nakrętką	anya matíca	13	M5-H.7 UNI 7473 Z.
4 10 3015 80	ferodo freno lama cutter brake ferodo	ferodo frein lame Messer-Bremsbelag	ferodo freno cuchilla ferodo mesrem	lona travão lamina ferodo hamulca ostrza	pengefék ferodo obložení brzdy nože	1	
5 10 8303 00	vite screw	vis Schraube	tornillo schroef	parafuso sruba	csavar skrutka	2	TE M5x16 UNI 5739 - 8,8 Z.
6 10 3015 10	leva tendicinghia lama cutter belt-tightener lever	levier tendeur courroie Riemenspannhebel	palanca tensora correa hendel riemspanner mes	alavanca estender correia dźwignia naprężacza pasa	pengeszíjfeszítőemelőny napinací páka nože	1	
9 10 3032 90	molla tendicinghia cutter-tightener spring	ressort tendeur courroie Riemenspannfeder	resorte tensor correa veer riemspanner	mola estender correia sprężyna naprężacza pasa	szíjfeszítőrugó, pruzina napináku remenu	1	
10 10 3014 90	dado autobloccante nut	ecrou Mutter	tuerca moer	porca nakrętką	anya matíca	1	M16 -H18 UNI 7473- Z.
11 10 3003 80	rosetta piana washer	rondelle Scheibe	arandela borgring	aniha podkładka	alátét podložka	1	Ø 17x30x2,5 - Z.
12 10 3014 70	puleggia pulley	poulie Riemenscheibe	polea poelie	polie kółko zamachowe	tárcsa remenica	1	Ø 178 - F.16
13 10 3014 60	distanziale spacer	entretoise Abstandsstück	separador afstandsring	distanciador dystans	közrögzítő rozperka	1	Ø 17x30x25,5 H-Z.
14 10 3014 80	cuscinetto bearing	roulement Kugellager	rolamiento kugellager	rolamento łożysko	golyócsapágy łożysko	2	6304-2RS Ø 20x52x15
15 10 3013 60	distanziale interno internal spacer	entretoise intérieur Innen-Distanzstück	distanciador interior inwendig afstandstuk	distanciador interior przekładka wewnętrzna	belső távölítő vnitřní rozperka	1	Ø 20x25x12,5 H
16 10 4076 00	vite screw	vis Schraube	tornillo schroef	parafuso sruba	csavar skrutka	1	TE M8x70 UNI 5737 - 8,8 Z.
17 20 1063 00	dado nut	ecrou Mutter	tuerca moer	porca nakrętką	anya matíca	1	M8 UNI 5587 Z.
18 10 3029 80	mozzo compl.sup.lama complete hub	moyeu complet Nebsatz	cubo completo complete naaf	cubo completo piastra kompletna	komplett kerékagy kompletní náboj	1	
19 20 4049 00	dado autobloccante nut	ecrou Mutter	tuerca moer	porca nakrętką	anya matíca	15	M8 - H.10 UNI 7473 Z.
20 10 3013 90	distanziale spacer	entretoise Abstandsstück	separador afstandsring	distanciador dystans	közrögzítő rozperka	1	Ø 20x25x7 H
21 10 3014 10	parapolvere eccentrico eccentric hood	protège-poussière excentrique Ausmittiger Staubschutz	guardapolvo excéntrico excentrische stofbesch.	guarda-pó excêntrico ochrona przed pyłem	külponos porvédó kryt proti prachu	1	
22 10 3013 70	albero supporto lama blade support shaft	arbre support lame Messerwelle	eje soporte cuchilla as messupport	eixo suporte lamina wał podpora ostrza	pengetartótengely nosny kričel nože	1	
23 10 1009 00	linguetta tab	languette Lasche	lengueta lipje	lingueta wpušt	nyelvecske klín	2	4x6,5 UNI 6606
24 10 3031 03	piatto completo complete plate	plateau complet Kompletter Teller	plato completo complete bord	prato completo talerz kompletny	komplett tányér kompletní disk	1	RIDER 76
25 10 3014 00	flangia di rinforzo reinforcement flange	bride de renfort Verstärkungsfiansch	brida de refuerzo verstärkingsflens	flange de reforço kolmier wzmacniający	erősítőkarima príruba zesílení	1	
26 10 0691 00	vite screw	vis Schraube	tornillo schroef	parafuso sruba	csavar skrutka	4	TE M8x45 UNI 5737 - 8,8 Z.
27 10 3014 20	supporto lama bearing blade	support lame Messerhalter	soporte cuchilla messemhouder	suporte da lamina uchwył noza	pergetaró držiak nože	1	
28 10 3030 50	lama blade	lame Messer	cuchilla mes	lamina nóz	penge nóz	1	cm.76 ALET TATA
29 10 5309 00	rondella elastica washer	rondelle Scheibe	arandela borgring	aniha podkładka	alátét podložka	1	Ø 11x50x2,5
30 20 1205 80	vite screw	vis Schraube	tornillo schroef	parafuso sruba	csavar skrutka	1	TE 3/8" UNFx37 - 8,8 Z.
31 20 2818 00	dado autobloccante nut	ecrou Mutter	tuerca moer	porca nakrętką	anya matíca	1	M6 - H8 UNI 7473 - Z.
32 10 8322 00	rosetta piana washer	rondelle Scheibe	arandela borgring	aniha podkładka	alátét podložka	1	Ø 6/24/2
33 20 1226 00	vite screw	vis Schraube	tornillo schroef	parafuso sruba	csavar skrutka	1	TE M6x20 UNI 5739 - 8,8 Z.
34 10 3016 53	tunnel carico erba grass loading tunnel	tunnel chargement herbe Grasladetunnel	túnel garga hierba Graslaadtunnel	túnel carga relva tunel ładowania trawy	fűrakodócső sberací tunel trávy	1	
35 10 1217 00	vite screw	vis Schraube	tornillo schroef	parafuso sruba	csavar skrutka	1	TE M8x35 UNI 5739 - 8,8 Z.
36 10 3016 70	rosetta piana washer	rondelle Scheibe	arandela borgring	aniha podkładka	alátét podložka	2	Ø 8x32x2,5 Z.
37 10 3016 00	distanziale spacer	entretoise Abstandsstück	separador afstandsring	distanciador dystans	közrögzítő rozperka	1	Ø 10x14x16 H
38 10 3030 70	rosetta piana washer	rondelle Scheibe	arandela borgring	aniha podkładka	alátét podložka	2	Ø 12,5x36x2,5-Z
39 10 3030 60	boccola per tendicinghia bushing	douille Buchse	casquillo huls	casquillo tuleja	csapágycsésze poudzro	1	
40 10 3030 80	vite screw	vis Schraube	tornillo schroef	parafuso sruba	csavar skrutka	1	TE M12x35 - 8,8 UNI 5739 - Z.
41 10 3031 33	ventola piatto cooling fan	helice Lüfterrad	helice ventilator	helice kolo chłazące	ventilátor ventilátor	1	lama cm76
42 10 3031 13	coperchio ventola cover	couvercle Deckel	tapa kapje	tampa fedél	pokrywa veko	1	
43 10 3031 60	squadretta posteriore bottom bracket	support posterieur Hinternhalter	escuadra posterior houder	suporte uchwył	tartó držiak	1	
44 10 3031 70	squadretta anteriore prior bracket	support antérieur Früherhalter	esc uadra anterior houder	suporte uchwył	tartó držiak	2	
45 10 3032 43	deflettore deflector	deflecteur Prallblech	deflector deschermkap	deflector klapka	védőkarter chránic	1	
46 10 1142 00	rosetta piana washer	rondelle Scheibe	arandela borgring	aniha podkładka	alátét podložka	10	Ø 8/16/1,5Z
47 10 3032 63	staffa support	support Halter	soporte houder	suporte uchwył	tartó držiak	1	
48 10 3033 40	molla a tazza belleville washer	ressort á godet Becherfeder	muelle cónico compresión schotelveer	mola formato de taça sprężyna talerzowa	csésze formájú rugó talírová pruzina	1	DIN 2093 Ø 45/22,4/2,2
49 20 3823 00	vite screw	vis Schraube	tornillo schroef	parafuso sruba	csavar skrutka	10	TE M8x20 UNI 5739-8,8.Z
50 10 3033 00	vite screw	vis Schraube	tornillo schroef	parafuso sruba	csavar skrutka	11	TE M5x14 UNI 5739-8,8.Z
51 10 2847 00	rosetta piana washer	rondelle Scheibe	arandela borgring	aniha podkładka	alátét podložka	5	Ø 5/15/1,5 Z.

mod. 67 - mod. 76 - TAV. 4

KIT TELAIO - KIT CHASSIS - CHASSIS KIT - KIT RAHMEN - KIT CHASIS - KIT FRAME - KIT CHASSI - KIT KORPUS - KIT VAZ - KIT KOSTRA

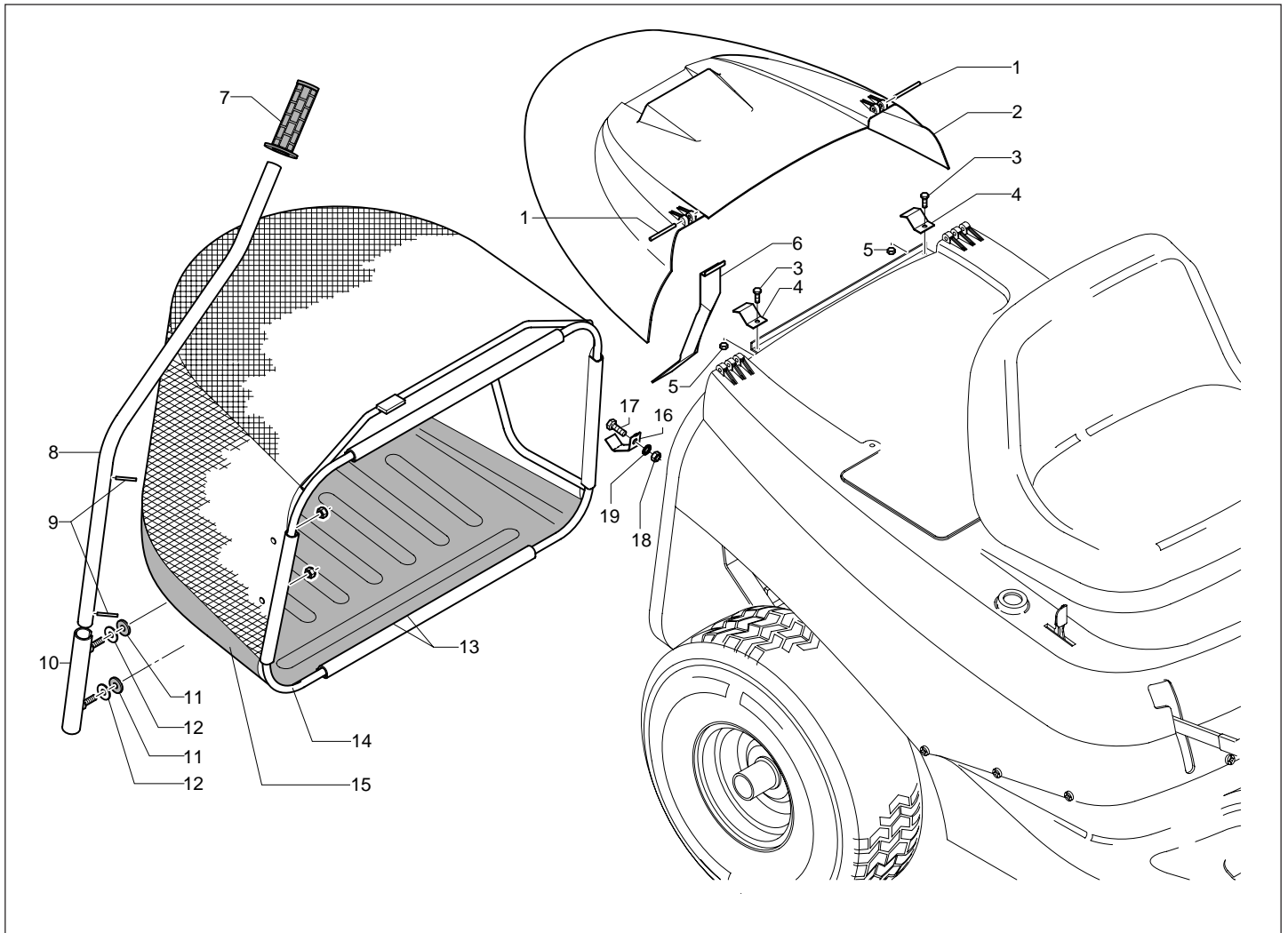




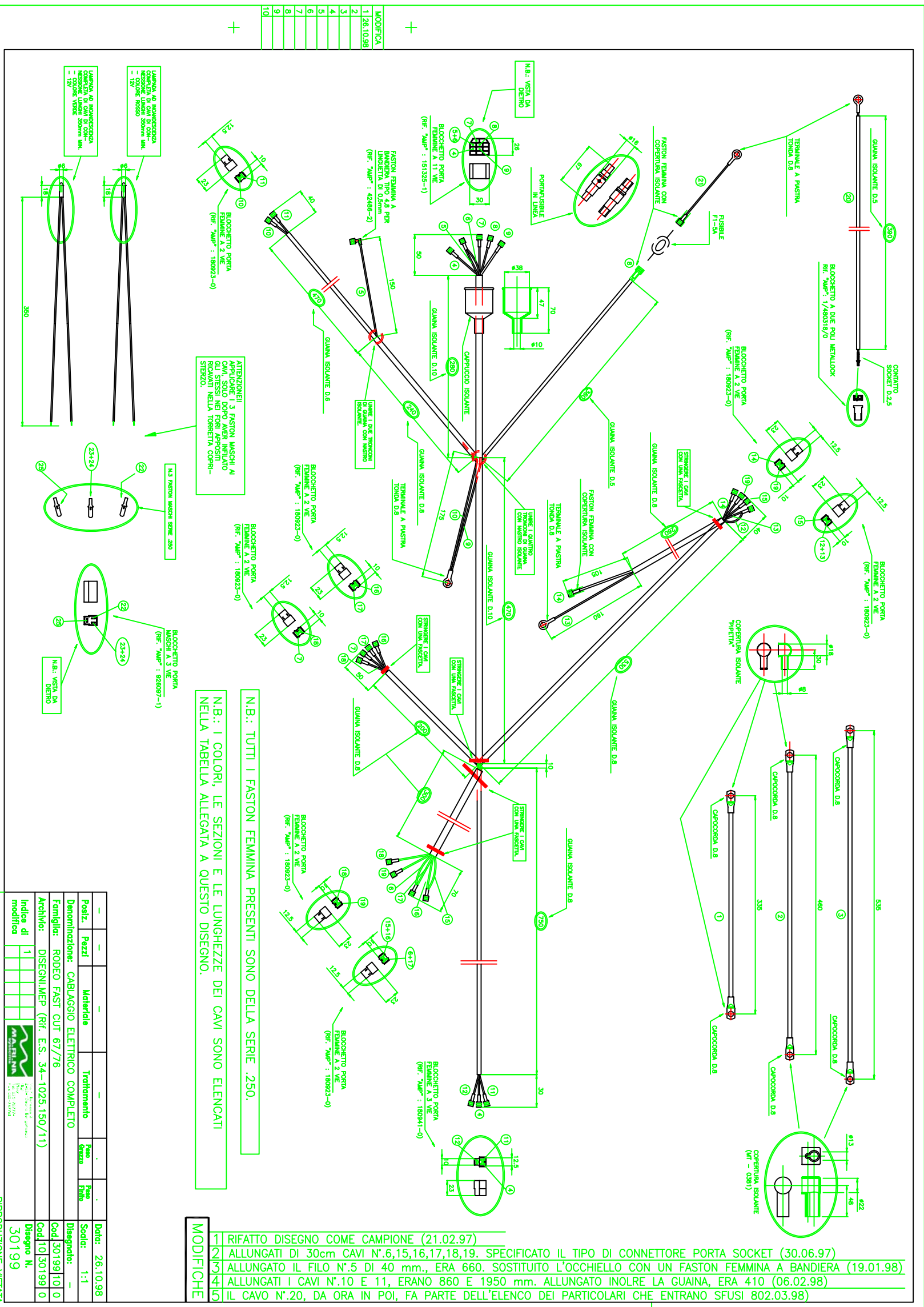
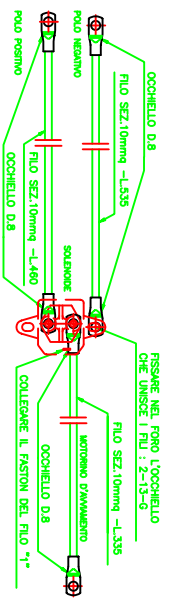


mod. 67 - mod. 76 - TAV. 8

KIT RACCOGLIERBA - KIT BAC - GRASS CATCHER KIT - GRASFANGKORBES KIT - KIT CESTILLO - KIT GRASOPVANGBAK -
KIT CESTO - KIT ZBIORNIKA NA TRAWIE - FELSZERELESE KIT - ZBERACA SKOSENEJ TRAVY KIT



N.ord. - N. pieces part. N. - Bestell N.	RICAMBI SPARE PARTS	RECHANGES ERSATZTEILE	RECAMBIOS ONDERDELEN	SOBRESALENTES CZĘŚCI ZAMIENNE	CȘEREALKATRÉSZEK NÁHRADNÉ SUC*ASTKY	Q	
1 10 3027 40	spina cilindrica pin	goupille Spannhülse	pasador pin	golpilha napinacz	csap zastrčka	2	Ø 5x50 UNI 1707
2 10 3026 17	cop.cesto raccogliërba grass collector bin cover	couv.panier ramasseur Grasfangkorbdeckel	cob.cesto recogedor hierba bedekk.grasverzamelbak	tampa cesto colecta relva pokrycie kosza zbierania	fűgyűjtőkösárburkolat kryt sbërní kosík trávy	1	
3 20 6551 00	vite screw	vis Schraube	tornillo schroef	parafuso sruba	csavar skrutka	2	TE M6x16 UNI 5739 - 8,8 Z
4 10 3018 00	piastrina fissag.cesto bin fixture plate	platine fixation panier Graskorbblockierplättchen	placa fijación cesto bevestigingsplaatje bak	plaqinha fixação cesto plyta umocowania kosza	kosárrögztító lernezeçske pripevnovaci deska kosíku	2	
5 20 2818 00	dado autobloccante nut	ecrou Mutter	tuerca moer	porca nakrętkã	anya mãtica	2	M6 - H8 UNI 7473 Z.
6 10 3009 20	piastra rileva cesto pieno full bin monitor plate	plaque soulév.panier plein Graskorbfüll-Anzeigerpl.	placa detecta cesto lleno plaat voor waarneming	placa indic.cesto cheio plyta podnoszenia kosza	felikosár felmérõlemez signalizacni deska kosík	1	
7 10 3017 93	manopola nera black knob	poignée noire Schwarzer Griff	manopla negra zwarte knop	botão preto uchwyt czarny	fekete húzókar cernã rukojet	1	Ø 20
8 10 3017 63	tubo ribaltamento cesto bin tilter tube	tube basculement panier Graskorbkipprohr	tubo basculamineto cesto slang bakomkanteling	tubo basculamento cesto rura wywracania kosza	kosárfelborítõcsõ vyklãpeçi trubka kosíku	1	
9 10 3017 70	spina Spirol pin	goupille Spannhülse	pasador pin	golpilha napinacz	csap zastrčka	2	Ø 4x26 DIN 7343
10 10 3017 43	supporto leva cesto bin lever support	support levier panier Graskorbhebelhalter	sop.palanca cesto supp.voor hendel bak	sup.alavança cesto podpora dzwigni kosza	kosáremeltyütartó držák páky kosíku	1	
11 10 3008 10	rosetta antivibrante washer	rondelle Scheibe	arandela borgring	aniha podkładka	alátét podložka	2	Ø 9x25x3
12 10 0663 00	rosetta piana washer	rondelle Scheibe	arandela borgring	aniha podkładka	alátét podložka	2	Ø 8x24x2 Z.
13 20 4049 00	dado autobloccante nut	ecrou Mutter	tuerca moer	porca nakrętkã	anya mãtica	2	M8 - H10 UNI 7473 - Z.
14 10 3017 13	intelaiatura cesto bin frame	cadre panier Graskorbrahmen	bastidor cesto bakframe	estrutura cesto szkielet kosza	kosárváz nosní konstrukce kosíku	1	
15 10 3017 23	telatura cesto bin fabric covering	revêtement en toile panier Graskorbttuch	revestim.de tela cesto bakbedekking	forro do cesto konstrukcja kosza	kosár vászonburkolat plãtenã vnitřní část kosíka	1	
16 10 3033 90	gancio cable hook	crochet Zugentlastung	soporte de cable haak	suporte do cabo uchwyt linki rozrusznika	horog hák	1	
17 10 1182 00	vite screw	vis Schraube	tornillo schroef	parafuso sruba	csavar skrutka	1	M 8x12
18 20 1063 00	dado nut	ecrou Mutter	tuerca moer	porca nakrętkã	anya mãtica	1	M8
19 20 1062 00	rondella elastica washer	rondelle Scheibe	arandela borgring	aniha podkładka	alátét podložka	1	Ø 8E



N.B.: TUTTI I FASTON FEMMINA PRESENTI SONO DELLA SERIE .250.
N.B.: I COLORI, LE SEZIONI E LE LUNGHEZZE DEI CAVI SONO ELENCATI NELLA TABELLA ALLEGATA A QUESTO DISEGNO.

MODIFICHE

- 1 RIFATTO DISEGNO COME CAMPIONE (21.02.97)
- 2 ALLUNGATI DI 30cm CAVI N°.6,15,16,17,18,19. SPECIFICATO IL TIPO DI CONNETTORE PORTA SOCKET (30.06.97)
- 3 ALLUNGATO IL FILO N°.5 DI 40 mm., ERA 660. SOSTITUITO L'OCCHIELLO CON UN FASTON FEMMINA A BANDIERA (19.01.98)
- 4 ALLUNGATI I CAVI N°.10 E 11, ERANO 860 E 1950 mm. ALLUNGATO INOLTRE LA GUAINA, ERA 410 (06.02.98)
- 5 IL CAVO N°.20, DA ORA IN POI, FA PARTE DELL'ELENCO DEI PARTICOLARI CHE ENTRANO SFUSI 802.03.98)

MODIFICA

1	26.10.98
2	
3	
4	
5	
6	
7	
8	
9	
10	

Posiz.	Pezzi	Materiale	Treatmento	Posiz. Pezzi	Posiz. Pezzi	Data:
-	-	-	-	-	-	26.10.98
Denominazione: CABLAGGIO ELETTRICO COMPLETO						
Famigliare: RODEO FAST CUT 67/76						
Archivio: DISEGNIMEP (Rif. ES. 34-1025.150/11)						
Codice: 30199/10/0						
Codice: 30199/0						
Indice di modifica: 1						
Disegno N. 30199						

RIPRODUZIONE VIETATA

Fig. 1

FILO	COLORE	SEZ. Lm
1	ROSSO	10 400
2	ROSSO	10 400
3	NERO	10 500
4	NERO	10 500
5	NERO	10 500
6	NERO	10 500
7	ROSSO/NERO	1,5 1000
8	ROSSO/NERO	1,5 1000
9	NERO	1 500
10	NERO	1 500
11	NERO	1 500
12	NERO	1 500
13	NERO	1 500
14	NERO	1 500
15	ROSSO/NERO	1 500
16	ROSSO/NERO	1 500
17	ROSSO/NERO	1 500
18	ROSSO/NERO	1 500
19	ROSSO/NERO	1 500
20	ROSSO/NERO	1 500
21	ROSSO/NERO	1 500

Fig. 2

FILO	COLORE	SEZ. Lm
10	ROSSO	1,5 400
20	ROSSO	1,5 400
21	ROSSO	1,5 400

1. QUANTO SI PARLA DI FASTON FEMMINA A BANDIERA, SI INTENDE IL FASTON FEMMINA A BANDIERA CHE SI INSERISCE NELLE POSIZIONI CORRETTE.

2. QUANTO SI PARLA DI FASTON FEMMINA A 2 VE, SI INTENDE IL FASTON FEMMINA A 2 VE CHE SI INSERISCE NELLE POSIZIONI CORRETTE.

3. QUANTO SI PARLA DI FASTON FEMMINA A 3 VE, SI INTENDE IL FASTON FEMMINA A 3 VE CHE SI INSERISCE NELLE POSIZIONI CORRETTE.

4. QUANTO SI PARLA DI FASTON FEMMINA A 4 VE, SI INTENDE IL FASTON FEMMINA A 4 VE CHE SI INSERISCE NELLE POSIZIONI CORRETTE.

5. QUANTO SI PARLA DI FASTON FEMMINA A 5 VE, SI INTENDE IL FASTON FEMMINA A 5 VE CHE SI INSERISCE NELLE POSIZIONI CORRETTE.

6. QUANTO SI PARLA DI FASTON FEMMINA A 6 VE, SI INTENDE IL FASTON FEMMINA A 6 VE CHE SI INSERISCE NELLE POSIZIONI CORRETTE.

7. QUANTO SI PARLA DI FASTON FEMMINA A 7 VE, SI INTENDE IL FASTON FEMMINA A 7 VE CHE SI INSERISCE NELLE POSIZIONI CORRETTE.

8. QUANTO SI PARLA DI FASTON FEMMINA A 8 VE, SI INTENDE IL FASTON FEMMINA A 8 VE CHE SI INSERISCE NELLE POSIZIONI CORRETTE.

9. QUANTO SI PARLA DI FASTON FEMMINA A 9 VE, SI INTENDE IL FASTON FEMMINA A 9 VE CHE SI INSERISCE NELLE POSIZIONI CORRETTE.

10. QUANTO SI PARLA DI FASTON FEMMINA A 10 VE, SI INTENDE IL FASTON FEMMINA A 10 VE CHE SI INSERISCE NELLE POSIZIONI CORRETTE.

11. QUANTO SI PARLA DI FASTON FEMMINA A 11 VE, SI INTENDE IL FASTON FEMMINA A 11 VE CHE SI INSERISCE NELLE POSIZIONI CORRETTE.

12. QUANTO SI PARLA DI FASTON FEMMINA A 12 VE, SI INTENDE IL FASTON FEMMINA A 12 VE CHE SI INSERISCE NELLE POSIZIONI CORRETTE.

13. QUANTO SI PARLA DI FASTON FEMMINA A 13 VE, SI INTENDE IL FASTON FEMMINA A 13 VE CHE SI INSERISCE NELLE POSIZIONI CORRETTE.

14. QUANTO SI PARLA DI FASTON FEMMINA A 14 VE, SI INTENDE IL FASTON FEMMINA A 14 VE CHE SI INSERISCE NELLE POSIZIONI CORRETTE.

15. QUANTO SI PARLA DI FASTON FEMMINA A 15 VE, SI INTENDE IL FASTON FEMMINA A 15 VE CHE SI INSERISCE NELLE POSIZIONI CORRETTE.

16. QUANTO SI PARLA DI FASTON FEMMINA A 16 VE, SI INTENDE IL FASTON FEMMINA A 16 VE CHE SI INSERISCE NELLE POSIZIONI CORRETTE.

17. QUANTO SI PARLA DI FASTON FEMMINA A 17 VE, SI INTENDE IL FASTON FEMMINA A 17 VE CHE SI INSERISCE NELLE POSIZIONI CORRETTE.

18. QUANTO SI PARLA DI FASTON FEMMINA A 18 VE, SI INTENDE IL FASTON FEMMINA A 18 VE CHE SI INSERISCE NELLE POSIZIONI CORRETTE.

19. QUANTO SI PARLA DI FASTON FEMMINA A 19 VE, SI INTENDE IL FASTON FEMMINA A 19 VE CHE SI INSERISCE NELLE POSIZIONI CORRETTE.

20. QUANTO SI PARLA DI FASTON FEMMINA A 20 VE, SI INTENDE IL FASTON FEMMINA A 20 VE CHE SI INSERISCE NELLE POSIZIONI CORRETTE.

21. QUANTO SI PARLA DI FASTON FEMMINA A 21 VE, SI INTENDE IL FASTON FEMMINA A 21 VE CHE SI INSERISCE NELLE POSIZIONI CORRETTE.

N.B.: I PARTICOLARI SOTTO ELIENCATI SONO PER I CAVI N. 1, 2, 3, 4, 5, 6, 7, 8, 9, 10, 11, 12, 13, 14, 15, 16, 17, 18, 19, 20, 21.

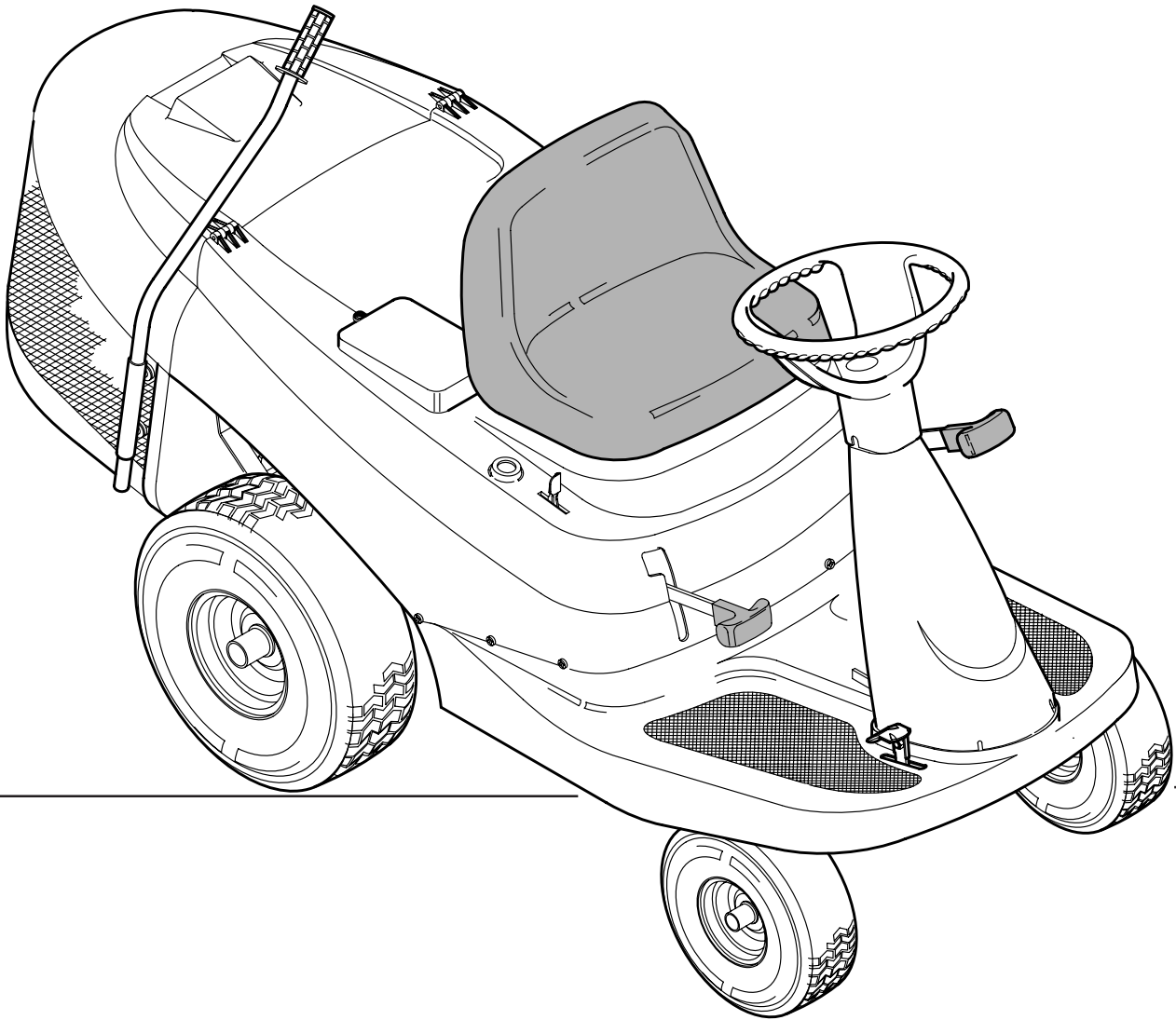
N.B.: I PARTICOLARI SOTTO ELIENCATI SONO PER I CAVI N. 1, 2, 3, 4, 5, 6, 7, 8, 9, 10, 11, 12, 13, 14, 15, 16, 17, 18, 19, 20, 21.

N.B.: I PARTICOLARI SOTTO ELIENCATI SONO PER I CAVI N. 1, 2, 3, 4, 5, 6, 7, 8, 9, 10, 11, 12, 13, 14, 15, 16, 17, 18, 19, 20, 21.

N.B.: I PARTICOLARI SOTTO ELIENCATI SONO PER I CAVI N. 1, 2, 3, 4, 5, 6, 7, 8, 9, 10, 11, 12, 13, 14, 15, 16, 17, 18, 19, 20, 21.



HYDROSTAR mod.67 HYDROMAX mod.76

**TAV.1**

Kit motore	Kit moteur	Motor kit	Kit motor	Kit motor
Kit motor	Kit motor	Kit silnik	Kit motor	Kit motor

TAV.2

Kit cambio	Kit transmission	Gear kit	Getriebe kit	Kit cambio
Kit versnelling	Kit câmbio	Kit bieg	Kit váltokar	Kit převodovka

TAV.3

Kit piatto	Kit plateau	Kit plate	Kit Teller	Kit plato
Kit bord	Kit prato	Kit talerz	Kit tanyer	Kit disk

TAV.4

Kit telaio	Kit châssis	Kit chassis	Kit Rahmen	Kit chasis
Kit frame	Kit chassi	Kit korpus	Kit váz	Kit kostra

TAV.5

Kit sterzo	Kit org.direction	Steering kit	Kit Steuer	Kit dirección
Kit stuur	Kit direção	Kit ramie	Kit kormany	kit volante

TAV.6

Kit comandi	Kit commande	Control kit	Auftrag kit	Kit mando
Kit hendel	Kit alavanca	Kit dźwignia	Kit emelo	Kit paka

TAV.7

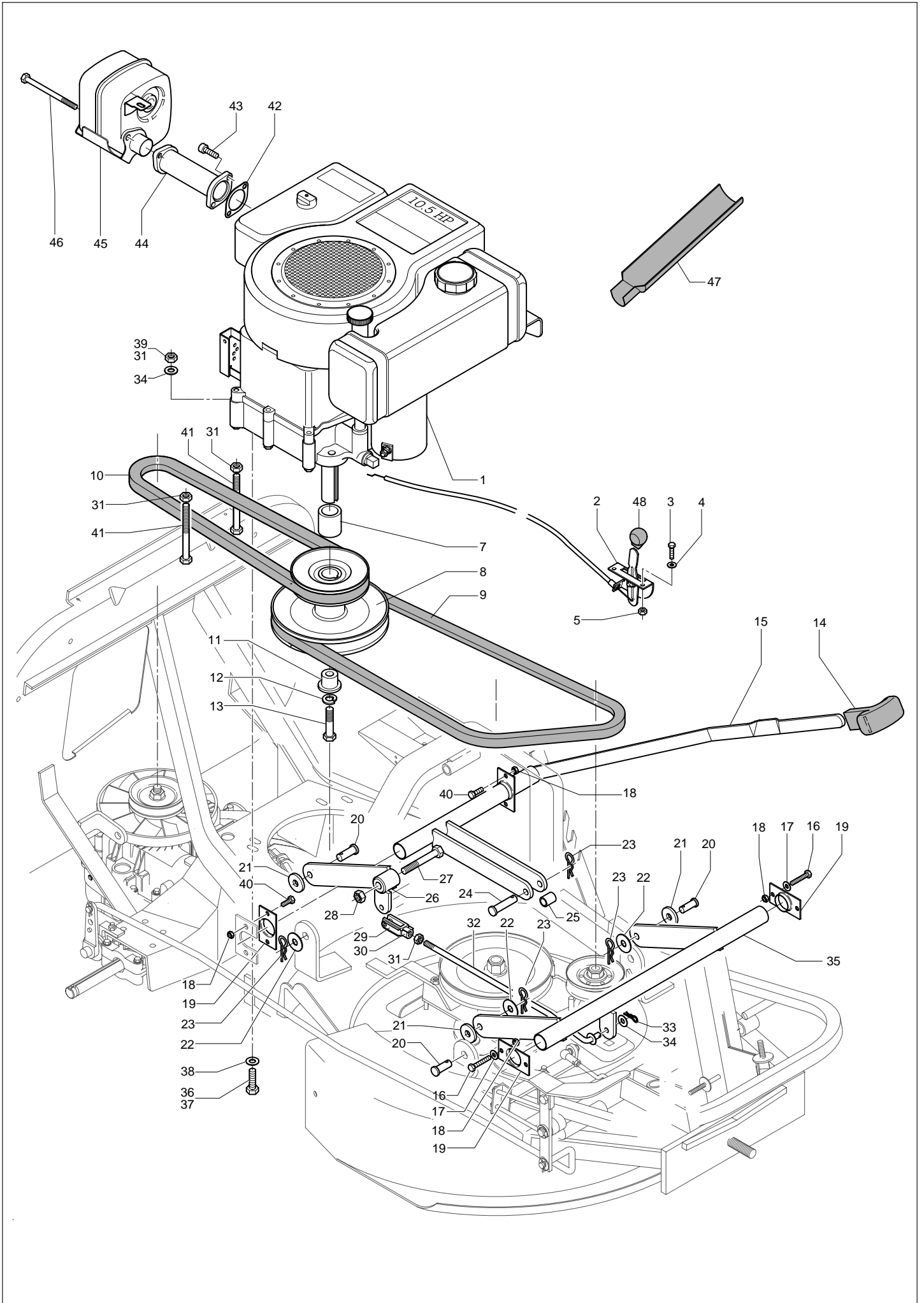
Kit imp.elettrico	Kit électrique	Electric kit	Kit Elektro	Kit electrico
Kit elektrisch	Kit eléctrica	Kit elektryczny	Kit elektromos	Kit elektrichy

TAV.8

Kit raccogliërba	Kit bac	Grass catcher kit	Grasfangkorbes kit	Kit cestillo
Kit cesto	Kit zbiornika na trawę	Felszerelés kit	Zberaca skosenej travy kit	Kit kostra

mod. 67 MEC - TAV.1

KIT MOTORE - KIT MOTEUR - MOTOR KIT - KIT MOTOR - KIT MOTOR - KIT MOTOR - KIT MOTOR - KIT SILNIK - KIT MOTOR - KIT MOTOR



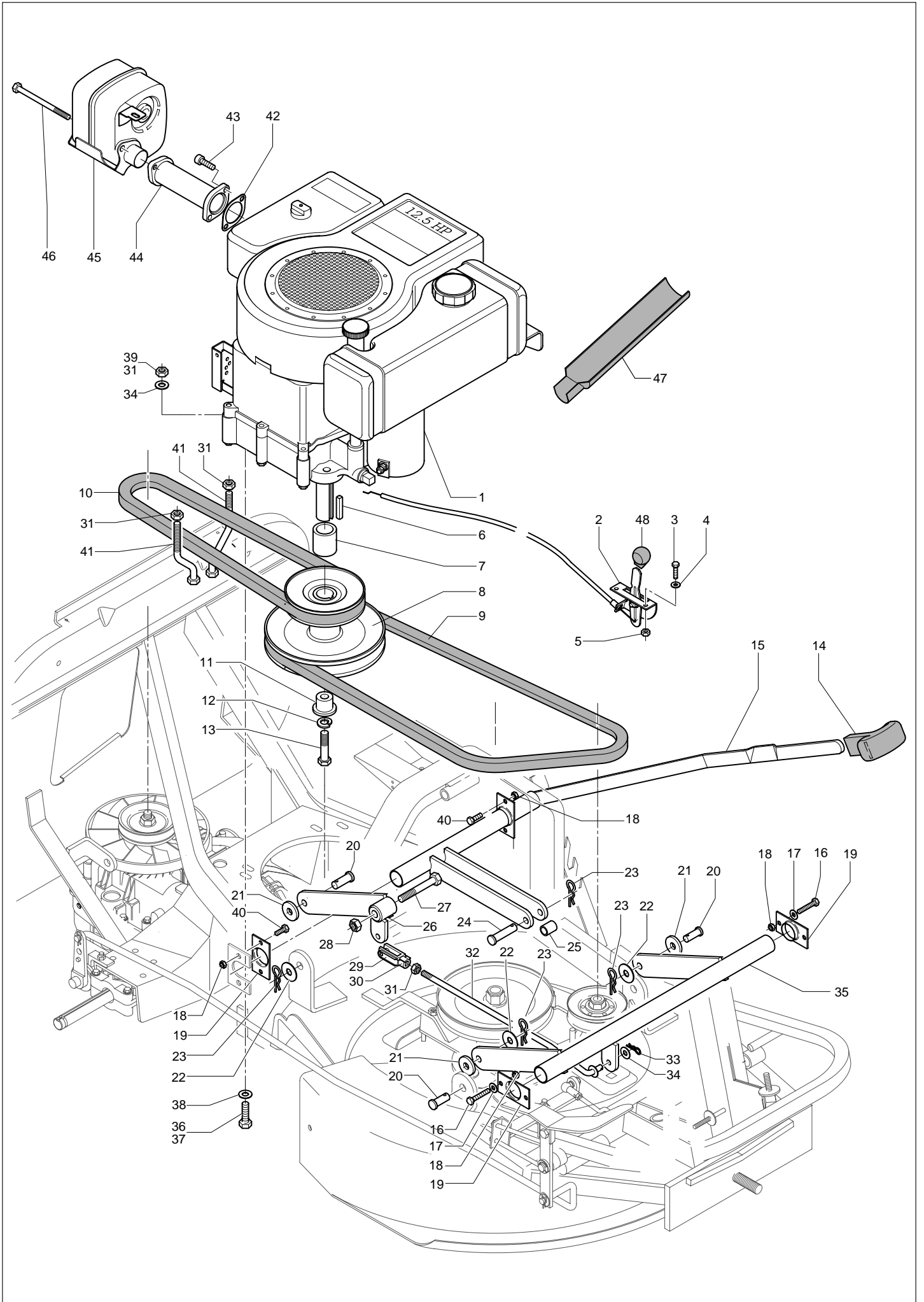
mod. 67 MEC - TAV.1

KIT MOTORE - KIT MOTEUR - MOTOR KIT - KIT MOTOR - KIT MOTOR - KIT MOTOR - KIT MOTOR - KIT MOTOR - KIT MOTOR - KIT MOTOR - KIT MOTOR

N.ord. - N. pieces part. N. - Bestell N.	RICAMBI SPARE PARTS	RECHANGES ERSATZTEILE	RECAMBIOS ONDERDELEN	SOBRESSALENTES CZĘŚCI ZAMIENNE	CȘEREALKATRÉSZEK NÁHRADNÉ SÚCIÁSTKY	Q	
1 BS 28B7 07	motore motor	moteur Motor	motor motor	motor silnik	motor motor	1	B&S 10,5HP I/CA.E.
1 TECNA T10	motore motor	moteur Motor	motor motor	motor silnik	motor motor	1	TECUMSEH TVM 220
2 10 3034 30	acceleratore completo accelerator	accélérateur Gashebel	acelerador gashendel	acelerador gazu	elemő rychlostná	1	
3 10 8303 00	vite screw	vis Schraube	tornillo schroef	parafuso sruba	csavar skrutka	2	TE M5x16
4 10 8050 00	rosetta piana washer	rondelle Scheibe	arandela borgring	aniha podkladka	alátét podlozka	2	Ø 5x10x1 ZB
5 20 2821 00	dado autobloccante nut	ecrou Mutter	tuerca moer	porca nakrętk	anya matica	2	M5-H7 UNI 7473-ZB
7 10 3033 70	distanziale superiore upper spacer	entretoise supérieure Oberes Distanzstück	distanciador superior bonveste afstandstuk	separador superior przekładka górna	felső távölítő horní rozperka	1	Ø 25,5x35x28 H
8 10 3300 30/A	puleggia motore pulley	poulie Riemenscheibe	polea motor poelie	polie do motor kółko zamachowe	tárcsa remenica motora	1	
9 10 3015 00	cinghia belt	courroie Keilriemen	corroie riem	correia pasel napędowy	ékszíj remen	1	SPA 1180
10 10 3301 30	cinghia belt	courroie Keilriemen	corroie riem	correia pasel napędowy	ékszíj remen	1	X13-850LP
11 10 3019 00	distanziale inferiore lower spacer	entretoise inférieure Unteres Distanzstück	distanciador inferior ardeste afstandstuk	separador inferior przekładka dolna	alsó távölítő dolni rozperka	1	Ø 12x25,3x23,5 H
12 10 3019 20	rosetta elastica washer	rondelle Scheibe	arandela borgring	aniha podkladka	alátét podlozka	1	Ø 12 RINF. UNI 9195
13 10 3019 10	vite screw	vis Schraube	tornillo schroef	parafuso sruba	csavar skrutka	1	TE 7/16" UNF x2"
14 10 3302 53	manopola nera block knob	poignée noire Schwarzer Griff	manopla negra zwarte knop	botão preto uchwyt czarny	fekete húzókar cerná rukojeť	1	
15 10 3006 50	leva compl.solleval.lama cutter lift complete lever	levier compl.soulev.lame Kompl. Messerhebel	palanca compl.lev.cuchilla hendel opheffing mes	alavanca compl.lev.lamina dzwignia podnoszenia ostrza	komp.pengeemelőemeltű komp.páka zdvihnúti nože	1	
16 10 5010 00	vite screw	vis Schraube	tornillo schroef	parafuso sruba	csavar skrutka	4	TE M6x35 UNI 5737-8,8 Z.
17 10 1260 00	rosetta piana washer	rondelle Scheibe	arandela borgring	aniha podkladka	alátét podlozka	3	Ø 6x18x1,5
18 20 2818 00	dado autobloccante nut	ecrou Mutter	tuerca moer	porca nakrętk	anya matica	8	M6 - H8 UNI 7473 Z.
19 10 3006 80	supporto cerniera hinge support	support charnière Scharnierhalter	soporte cremallera scharnier support	suporte dobradiça oparcie zawiasy	csuklóspántartó držák závesu	3	
20 10 3027 20	perno sollevam.piatto plate lift pin	pivot soulèvement.plateau Tellerhebezapfen	perno levantam.plato pen voor opheffing bord	perno levantam.prato sworzen podnoszenia	tányéremelőtengely cep zdvihnúti dčku	3	Ø 10x29
21 10 3011 70	rondella in nylon washer	rondelle Scheibe	arandela borgring	aniha podkladka	alátét podlozka	3	Ø 10x30x3
22 20 1130 00	rosetta piana washer	rondelle Scheibe	arandela borgring	aniha podkladka	alátét podlozka	3	Ø 10x30x2,5
23 10 3027 60	coppiglia elastica centr. central elastic split pin	goupille élastique centr. Mittlerer Gummisplint	clavija elástica central centr.elastische splitpen	pino elástico central zawleciska elast.cent.	csavaranyabiztosítás pruziná závlacka sredná	4	Ø 2,5x50
24 10 3027 10	perno sollevam.piatto plate lift pin	pivot soulèvement.plateau Tellerhebezapfen	perno levantam.plato pen voor opheffing bord	perno levantam.prato sworzen podnoszenia	tányéremelőtengely cep zdvihnúti dčku	1	Ø 10x45
25 10 3022 40	boccola bushing	douille Buchse	casquillo huls	casquillo huls	csapágycsésze pouzdro	1	Ø 11x14x19 H Z
26 10 3011 50	leveraggio posteriore rear leverage	leviers arrières Hinteres Hebelwerk	palancas posterior achterste hendel	palanca traseira układ dzwigni tylny	hátsó emeltűrendszer zasni pákovy mechanismus	1	
27 10 3008 30	vite screw	vis Schraube	tornillo schroef	parafuso sruba	csavar skrutka	1	TSPEI M10x70 UNI 5933-8,8 Z
28 10 5011 60	dado autobloccante nut	ecrou Mutter	tuerca moer	porca nakrętk	anya matica	1	M10-H12 UNI 7473 Z.
29 10 3010 20	snodo kalvas Kalvas-joint	articulation kalvas Kalvas-Gelenk	articulación kalvas kalvas geleding	articulação kalvas przegub kalvas	kalvas csukló klóub pro kalvas	1	M8x32 UNI 1676 L=58
30 10 3012 20	clips per kalvas clips for kalvas	clips pour kalvas Kalvas-Klips	clips para kalvas klemmen voor kalvas	grampos para kalvas zaciski do kalvas	kalvas kapocs spona pro kalvas	1	M8 TIPO LUNGO
31 20 1063 00	dado nut	ecrou Mutter	tuerca moer	porca nakrętk	anya matica	2	M8 UNI 5587
32 10 3010 00	tirante sollevam.piatto plate lift tie rod	tirant soulèvement.plateau Tellerhebestange	tirante levantam.plato trekstang voor oph.bord	extensor levant.prato ciągno podnoszenia	tányéremelő tartórúd tárho zdvihnúti disku	1	
33 10 2814 00	coppiglia elastica elastic split pin	goupille élastique Gummisplint	clavija elástica elasatische splitpen	pino elástico zawleciska elastycsna	csavaranyabiztosítás pruzná závlacka	1	Ø 1,8x33
34 10 1142 00	rosetta piana washer	rondelle Scheibe	arandela borgring	aniha podkladka	alátét podlozka	5	Ø 8x16x1,5 Z.
35 10 3012 00	leveraggio anteriore front leverage	leviers avant Vorderes Hebelwerk	palancas anterior voorste hendel	palanca dianteira układ dzwigni przedni	első emeltűrendszer předni pákovy mechaniz.	1	
36 10 1217 00	vite screw	vis Schraube	tornillo schroef	parafuso sruba	csavar skrutka	3	TE M8x35 UNI 5737-8,8 Z.
37 10 0691 00	vite screw	vis Schraube	tornillo schroef	parafuso sruba	csavar skrutka	1	TE M8x45 UNI 5739 -8,8 Z.
38 10 0663 00	rosetta piana washer	rondelle Scheibe	arandela borgring	aniha podkladka	alátét podlozka	4	Ø 8x24x2
39 20 4049 00	dado autobloccante nut	ecrou Mutter	tuerca moer	porca nakrętk	anya matica	3	M8-H10 UNI 7473
40 20 5013 70	vite screw	vis Schraube	tornillo schroef	parafuso sruba	csavar skrutka	4	TE M6x20 UNI 5739 8.8 Z.
41 30 3025 40	vite screw	vis Schraube	tornillo schroef	parafuso sruba	csavar skrutka	2	TE M8x120 UNI 5737 - Z
42 20 3032 20	guarnizione gasket	garniture Dichtung	junta pakking	garnição uszczelka	tömítés teszenie	1	B&S
42 20 3303 30	guarnizione gasket	garniture Dichtung	junta pakking	garnição uszczelka	tömítés teszenie	1	TECUMSEH
43 10 3027 30	vite screw	vis Schraube	tornillo schroef	parafuso sruba	csavar skrutka	2	TCEI 5/16" UNC x5/8"
44 20 3018 50	tubo prolunga mamitta tube	tuyau Röhre	tubo stang	tubo os	võnorúd tyc	1	B&S
44 20 3302 80	tubo prolunga mamitta tube	tuyau Röhre	tubo stang	tubo os	võnorúd tyc	1	TECUMSEH
45 20 3032 00	silenziatore/delettore/viti silencer	silensieux Schalldämpfer	silenciador silencer	silencer silencer	silencer silencer	1	B&S
45 20 3303 40	silenziatore/delettore/viti silencer	silensieux Schalldämpfer	silenciador silencer	silencer silencer	silencer silencer	1	TECUMSEH
46 20 3032 10	tirante tie rod	tirant Zugstange	tirante trekstang	tirante łącznik	võnorúd tiahlo	2	TE Ø 11x91-B&S
46 20 3303 50	tirante tie rod	tirant Zugstange	tirante trekstang	tirante łącznik	võnorúd tiahlo	2	TE Ø 11x116 TECUMSEH
47 10 3303 83	imbuto cambio olio funnel oil change	entonnoir Trichter	embudo funnel oil change	funnel oil change funnel oil change	funnel oil change funnel oil change	1	
48 10 3034 03	pomolo knob	poignée Griff	manopla knop	botão uchwyt	kuzokar rutojeť	1	

mod. 76 MEC - TAV.1

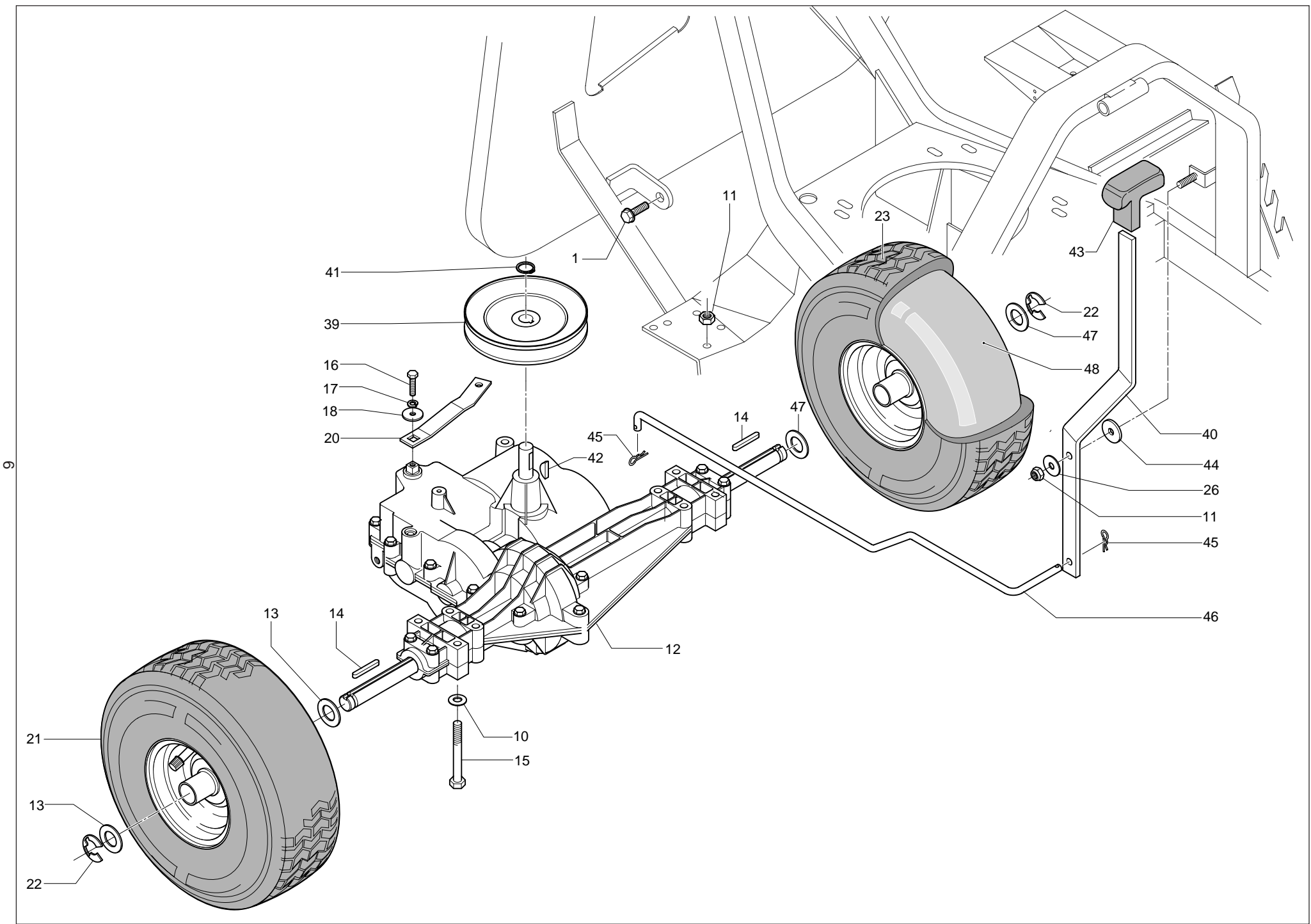
KIT MOTORE - KIT MOTEUR - MOTOR KIT - KIT MOTOR - KIT MOTOR - KIT MOTOR - KIT MOTOR - KIT SILNIK - KIT MOTOR - KIT MOTOR



mod. 76 MEC - TAV.1

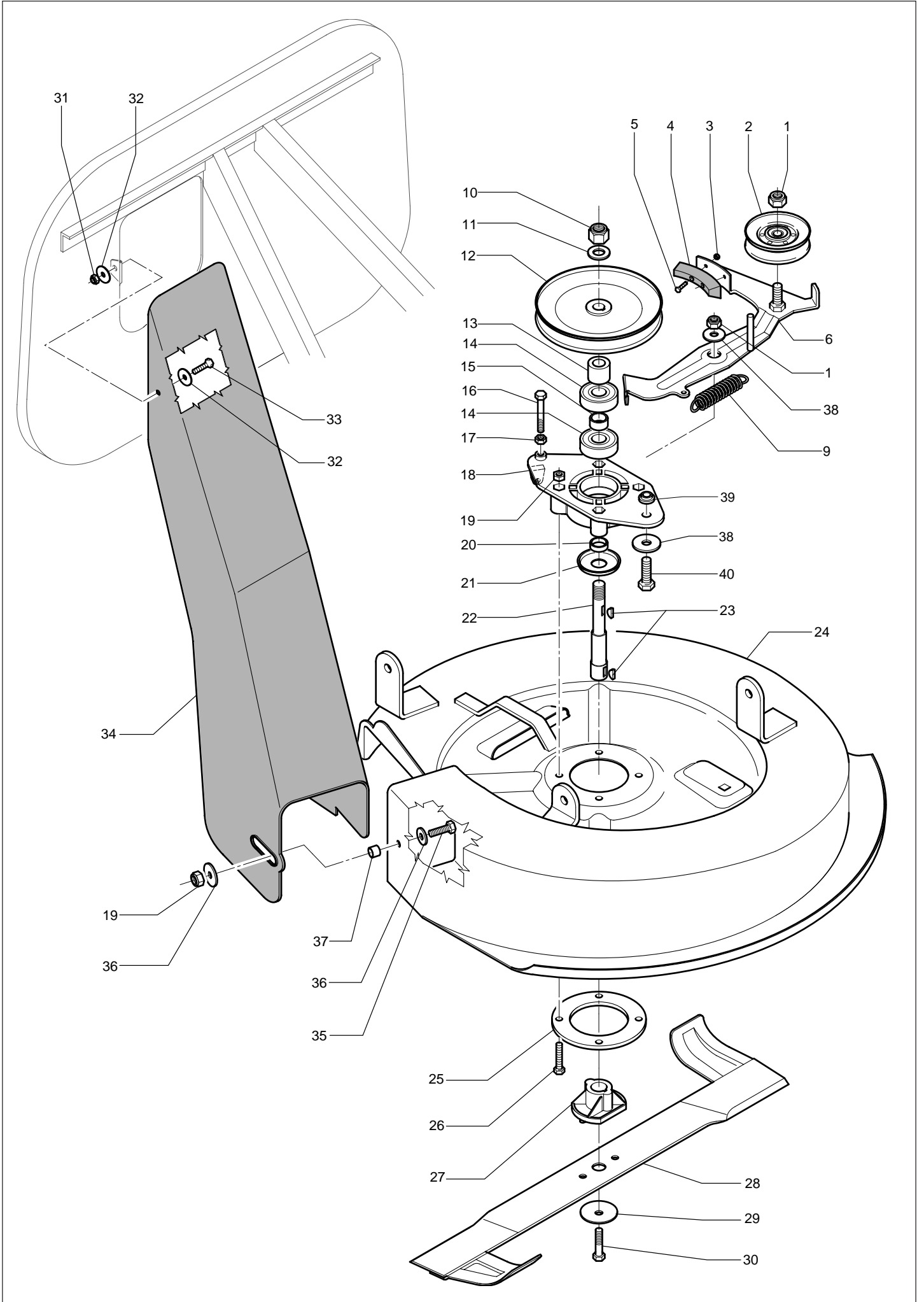
KIT MOTORE - KIT MOTEUR - MOTOR KIT - KIT MOTOR - KIT MOTOR - KIT MOTOR - KIT MOTOR - KIT MOTOR - KIT MOTOR - KIT MOTOR - KIT MOTOR - KIT MOTOR

N.ord. - N. pieces part. N. - Bestell N.	RICAMBI SPARE PARTS	RECHANGES ERSATZTEILE	RECAMBIOS ONDERDELEN	SOBRESSALENTES CZĘŚCI ZAMIENNE	CȘEREALKATRÉSZEK NÁHRADNÉ SÚCIÁSTKY	Q	
1 BS 28B7 07	motore motor	moteur Motor	motor motor	motor motor	motor motor	1	B&S 12,5HP I/CA.E.
1 TECNA T10	motore motor	moteur Motor	motor motor	motor motor	motor motor	1	TECUMSEH TVM 220
2 10 3034 30	acceleratore completo accelerator	accélérateur Gashebel	acelerador gashendel	acelerador gazu	elemő rychlostná	1	
3 10 8303 00	vite screw	vis Schraube	tornillo schroef	parafuso sruba	csavar skrutka	2	TE M5x16 UNI 5739-8,8 Z.
4 10 8050 00	rosetta piana washer	rondelle Scheibe	arandela borgring	anihla podkladka	alátét podložka	2	Ø 5x10x1 ZB
5 20 2821 00	dado autobloccante nut	ecrou Mutter	tuerca moer	porca nakrętk	anya mática	2	M5-H7 UNI 7473-ZB
6 10 3029 40	linguetta tab	languette Lasche	lengueta lipje	lingueta wpust	nyelvecske kín	1	6,3x6,3x38H UNI 6604-69-A
7 10 3018 90	distanziale superiore upper spacer	entretoise supérieure Oberes Distanzstück	distanciador superior bonveste afstandstuk	separador superior przekładka górna	felső távolító horní rozperka	1	Ø 25,5x35x38 H
8 10 3034 10	puleggia motore pulley	poëlie Riemenscheibe	polea motor poëlie	polie do motor kółko zamachowe	tárcsa remenica motora	1	
9 10 3301 40	cinghia belt	courroie Keilriemen	correa riem	correa pasel napędowy	ékszj remen	1	SPA 1232 LW
10 10 3301 30	cinghia belt	courroie Keilriemen	correa riem	correa pasel napędowy	ékszj remen	1	X13-850LP
11 10 3019 00	distanziale inferiore lower spacer	entretoise inférieure Unteres Distanzstück	distanciador inferior anderste afstandstuk	separador inferior przekładka dolna	alsó távolító dolní rozperka	1	Ø 12x25,3x23,5 H
12 10 3019 20	rosetta elastica washer	rondelle Scheibe	arandela borgring	anihla podkladka	alátét podložka	1	Ø 12 RINF UNI 9195
13 10 3019 10	vite screw	vis Schraube	tornillo schroef	parafuso sruba	csavar skrutka	1	TE 7/16" UNF x 2"
14 10 3302 53	manopola nera block knob	poignée noire Schwarzer Griff	manopla negra zwarte knop	botão preto uchwyt czarny	fekete huzókar cerná rukojet'	1	19x5
15 10 3032 30	leva compl.sollever.lama cutler lift complete lever	levier compl.soulever.lame Kompl.Messerhebehebel	palanca compl.lev.uchilla hendel opheffing mes	alavanca compl.lev.lamina dźwignia podnoszenia ostrza	komp.pengeemeleroemelyű komp.páka zdvihnúti nože	1	
16 10 5010 00	vite screw	vis Schraube	tornillo schroef	parafuso sruba	csavar skrutka	4	TE M6x35 UNI 5737-8,8 Z.
17 10 1260 00	rosetta piana washer	rondelle Scheibe	arandela borgring	anihla podkladka	alátét podložka	4	Ø 6x18x1,5
18 20 2818 00	dado autobloccante nut	ecrou Mutter	tuerca moer	porca nakrętk	anya mática	8	M6 - H8 UNI 7473 Z.
19 10 3006 80	supporto cerniera hinge support	support charnière Scharnierhalter	soporte cremallera scharnier support	suporte dobradiça oparcje zawiasy	csuklóspántartó držák závesu	3	
20 10 3027 20	perno sollevam.piatto plate lift pin	pivot soulèvem.plateau Tellerhebezapfen	perno levantam.plato pen voor opheffing bord	perno levantam.plato sworzen podnoszenia	tányéremelőtengely cep zdvihnúti dčku	3	Ø 10x29
21 10 3011 70	rondella in nylon washer	rondelle Scheibe	arandela borgring	anihla podkladka	alátét podložka	3	Ø 10x30x3
22 20 1130 00	rosetta piana washer	rondelle Scheibe	arandela borgring	anihla podkladka	alátét podložka	3	Ø 10x30x2,5
23 10 3027 60	coppiglia elastica centr. central elastic split pin	goupille élastique centr. Mittlerer Gummisplint	clavija elástica central centr.elastische splitpen	pino elástico central zawlecska elast.cent.	csavaranyabiztosítás pruziná závlacka sredná	4	Ø 2,5x50
24 10 3027 10	perno sollevam.piatto plate lift pin	pivot soulèvem.plateau Tellerhebezapfen	perno levantam.plato pen voor opheffing bord	perno levantam.plato sworzen podnoszenia	tányéremelőtengely cep zdvihnúti dčku	1	Ø 10x45
25 10 3022 40	boccola bushing	douille Buchse	casquillo huls	casquillo tuleja	csapágycsésze pouzdro	1	Ø 11x14x19 H Z
26 10 3011 50	leveraggio posteriore rear leverage	leviers arrières Hinteres Hebelwerk	palancas posterior achterste hendel	palanca traseira układ dźwigni tylny	hátsó emelőrendszer zsrni pákoy mechanizmus	1	
27 10 3008 30	vite screw	vis Schraube	tornillo schroef	parafuso sruba	csavar skrutka	1	TSPEI M10x70 UNI 5933-8,8 Z
28 10 5011 60	dado autobloccante nut	ecrou Mutter	tuerca moer	porca nakrętk	anya mática	1	M10-H12 UNI 7473 Z.
29 10 3010 20	snodo kalvas kalvas joint	articulation kalvas Kalvas-Gelenk	articulación kalvas kalvas geleding	articulação kalvas przegub kalvas	kalvas csukó kloub pro kalvas	1	M8x32 UNI 1676 L=58
30 10 3012 20	clips per kalvas clips for kalvas	clips pour kalvas Kalvas-Klips	clips para kalvas klemmen voor kalvas	grampos para kalvas zaciski do kalvas	kalvas kapocs spona pro kalvas	1	M8 TIPO LUNGO
31 20 1063 00	dado nut	ecrou Mutter	tuerca moer	porca nakrętk	anya mática	4	M8 UNI 5587
32 10 3010 00	tirante sollevam.piatto plate lift tie rod	tirant soulèvem.plateau Trekstang	tirante levantam.plato trekstang voor oph.bord	extensor levant.prato ciągno podnoszenia	tányéremelő tartórúd táhló zdvihnúti disku	1	
33 10 2814 00	coppiglia elastica elastic split pin	goupille élastique Gummisplint	clavija elástica elasatische splitpen	pino elástico zawlecska elastycsna	csavaranyabiztosítás pruzná závlacka	1	Ø 1,8x33
34 10 1142 00	rosetta piana washer	rondelle Scheibe	arandela borgring	anihla podkladka	alátét podložka	5	Ø 8x16x1,5 Z.
35 10 3012 00	leveraggio anteriore front leverage	leviers avant Vorderes Hebelwerk	palancas anterior voorstel hendel	palanca dianteira układ dźwigni przedni	első emelőrendszer prędni pákoy mechaniz.	1	
36 10 1217 00	vite screw	vis Schraube	tornillo schroef	parafuso sruba	csavar skrutka	3	TE M8x35 UNI 5737-8,8 Z.
37 10 0691 00	vite screw	vis Schraube	tornillo schroef	parafuso sruba	csavar skrutka	1	TE M8x45 UNI 5739 -8,8 Z.
38 10 0663 00	rosetta piana washer	rondelle Scheibe	arandela borgring	anihla podkladka	alátét podložka	4	Ø 8x24x2
39 20 4049 00	dado autobloccante nut	ecrou Mutter	tuerca moer	porca nakrętk	anya mática	3	M8-H10 UNI 7473
40 20 5013 70	vite screw	vis Schraube	tornillo schroef	parafuso sruba	csavar skrutka	4	TE M6x20 UNI 5739 -8,8 Z.
41 10 3032 80	vite guarnizione screw	vis Schraube	tornillo schroef	parafuso sruba	csavar skrutka	2	TE M8x120 UNI 5737-8,8 Z.
42 20 3032 20	guarnizione gasket	garniture Dichtung	junta pakking	garnição uszczelka	tömítés tesnenie	1	B&S
42 20 3303 30	guarnizione gasket	garniture Dichtung	junta pakking	garnição uszczelka	tömítés tesnenie	1	TECUMSEH
43 10 3027 30	vite screw	vis Schraube	tornillo schroef	parafuso sruba	csavar skrutka	2	TCEI 5/16" UNC x5/8"
44 20 3018 50	tubo prolunga mamitta tube	tuyau Röhre	tubo stang	tubo os	vonórúd tyc	1	H.118 - B&S
44 20 3302 80	tubo prolunga mamitta tube	tuyau Röhre	tubo stang	tubo os	vonórúd tyc	1	TECUMSEH
45 20 3032 00	silenziatore/delettore/viti silencer	silensieux Schalldämpfer	silenciador silencer	silencer silencer	silencer silencer	1	B&S
45 20 3303 40	silenziatore/delettore/viti silencer	silensieux Schalldämpfer	silenciador silencer	silencer silencer	silencer silencer	1	TECUMSEH
46 20 3032 10	tirante tie rod	tirant Zugstange	tirante trekstang	tirante łącznik	vonórúd tiahlo	2	TE Ø 11x91 - B&S
46 20 3303 50	tirante tie rod	tirant Zugstange	tirante trekstang	tirante łącznik	vonórúd tiahlo	2	TE Ø 11x116 TECUMSEH
47 10 3303 83	imbuto cambio olio funnel oil change	entonnoir Trichter	embudo funnel oil change	funnel oil change funnel oil change	funnel oil change funnel oil change	1	
48 10 3034 03	pomolo knob	poignée Griff	manopla knop	botão uchwyt	kuzókar rutojet'	1	



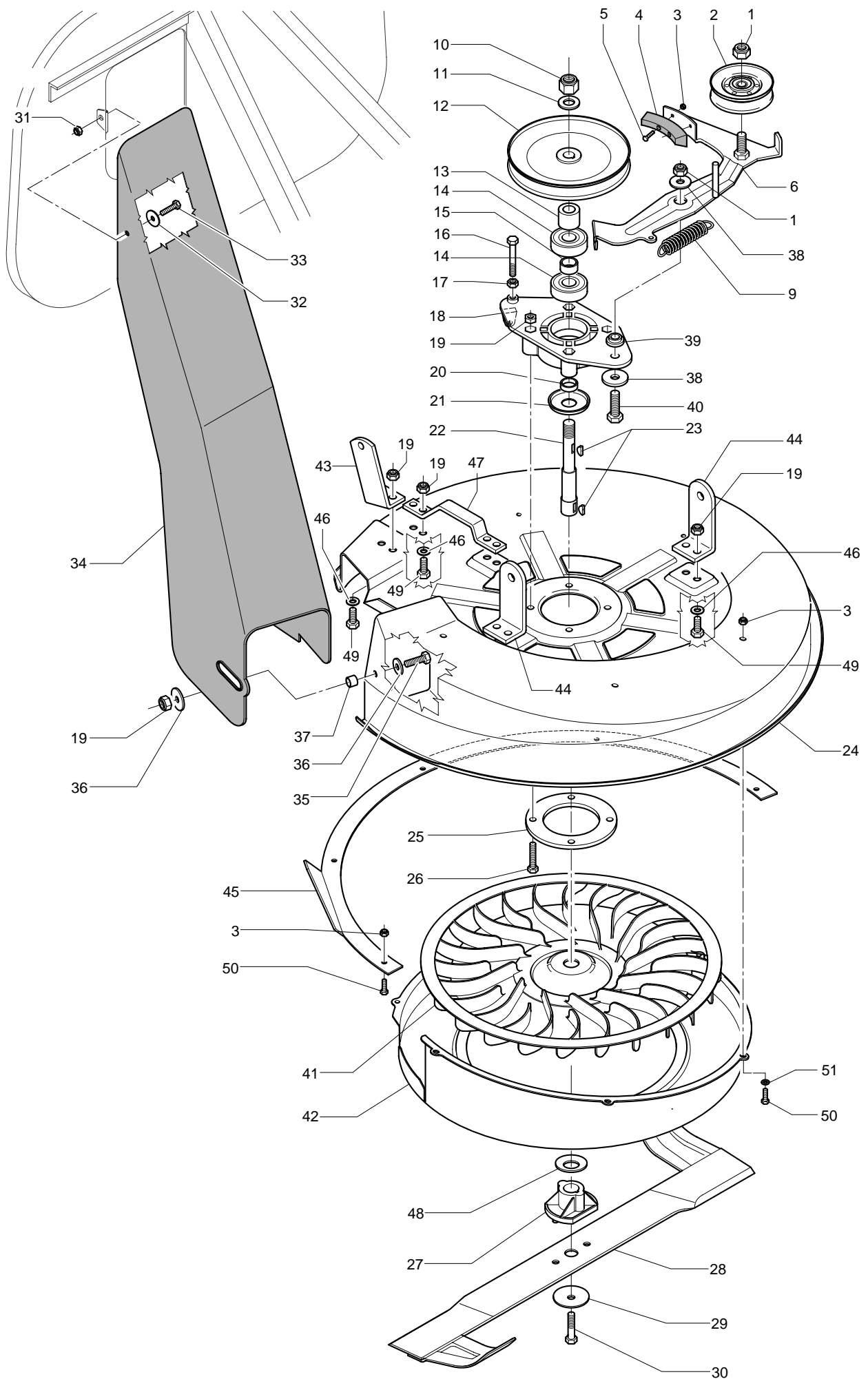
mod. 67 MEC - TAV. 3

KIT PIATTO - KIT PLATEAU - KIT PLATE - KIT TELLER - KIT PLATO - KIT BORD - KIT PRATO - KIT TALERZ - KIT TANYER - KIT DISK



mod. 76 MEC - TAV. 3

KIT PIATTO - KIT PLATEAU - KIT PLATE - KIT TELLER - KIT PLATO - KIT BORD - KIT PRATO - KIT TALERZ - KIT TANYER - KIT DISK



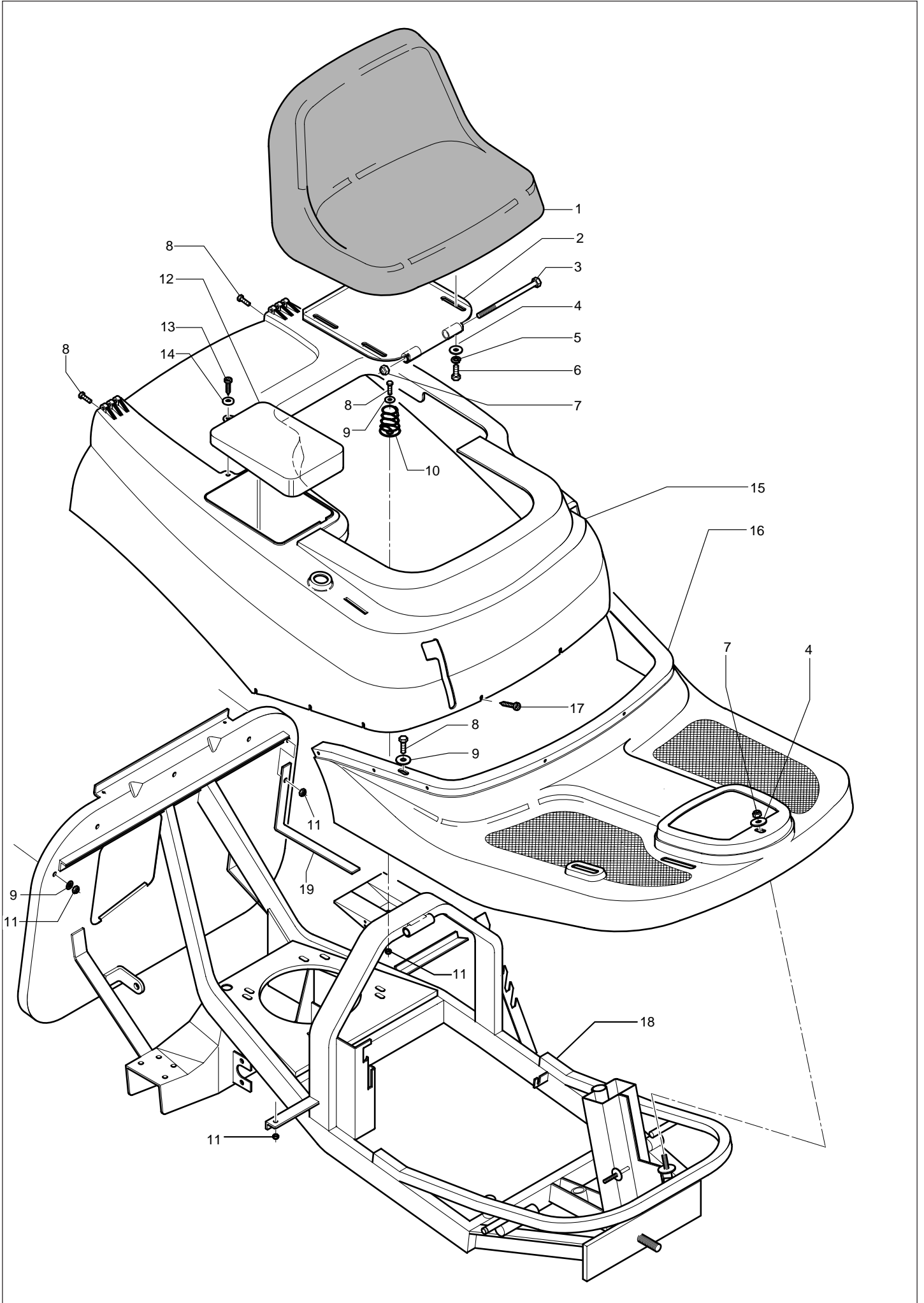
mod. 76 MEC - TAV. 3

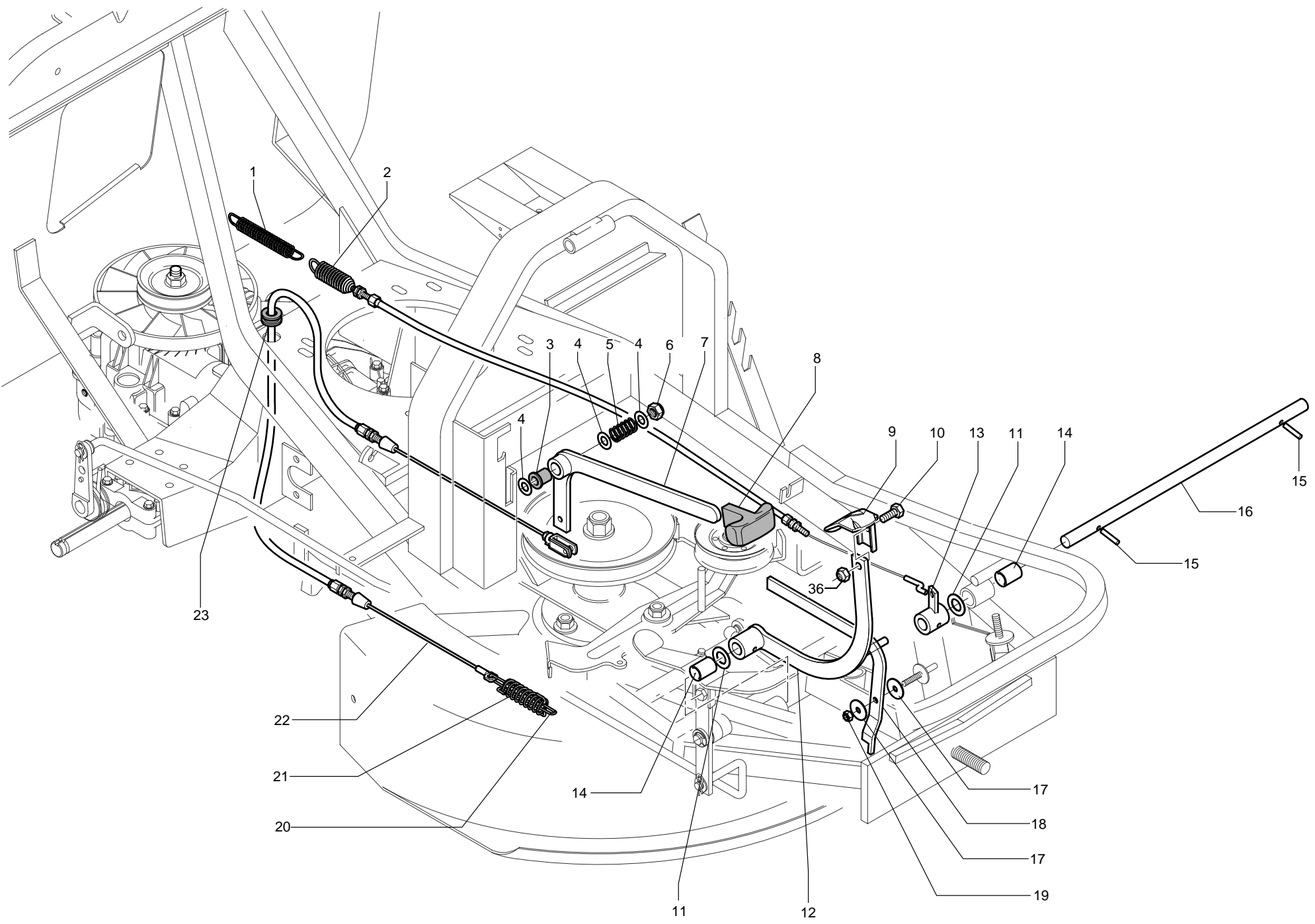
KIT PIATTO - KIT PLATEAU - KIT PLATE - KIT TELLER - KIT PLATO - KIT BORD - KIT PRATO - KIT TALERZ - KIT TANYER - KIT DISK

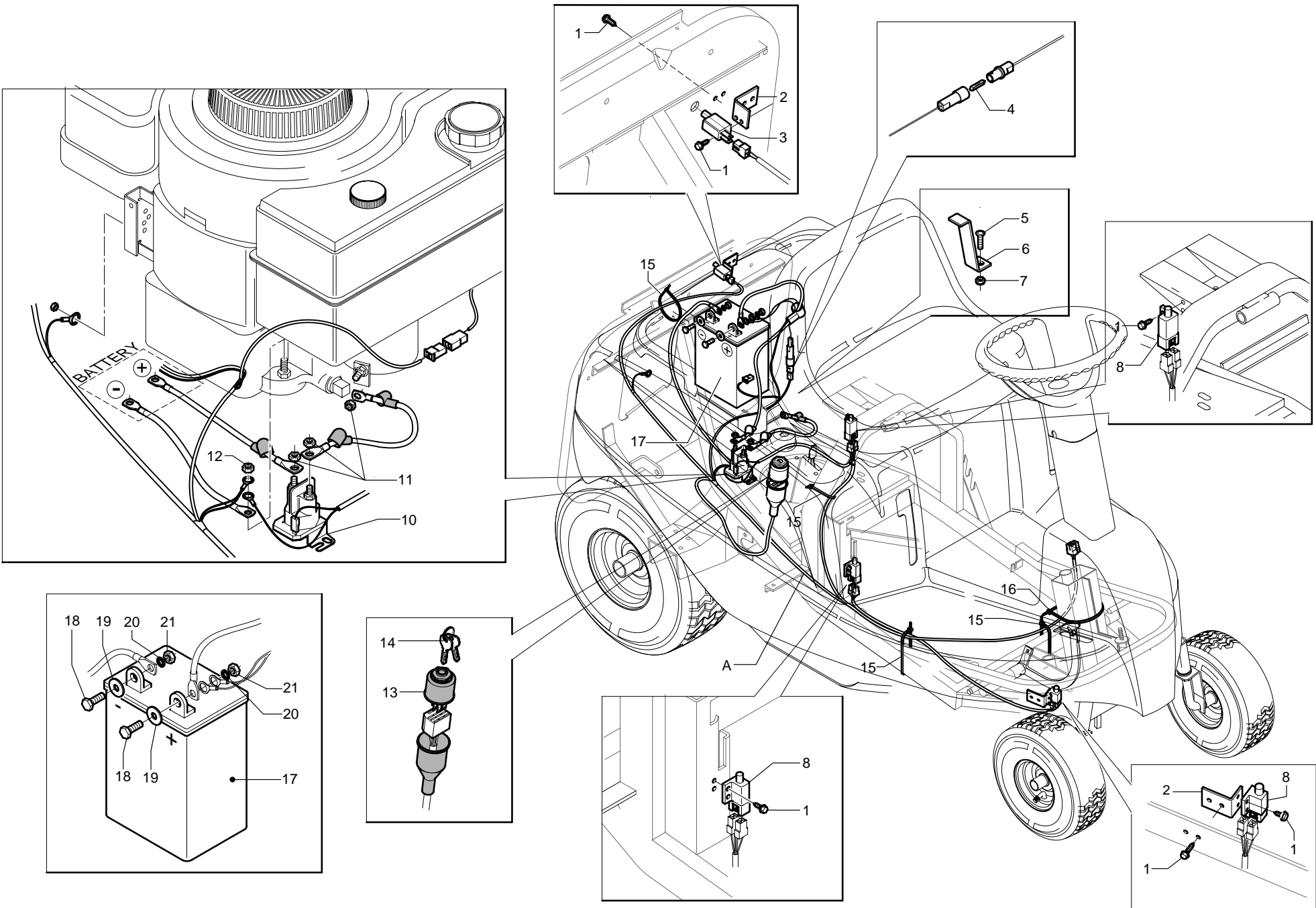
N.ord. - N. pieces part. N. - Bestell N.	RICAMBI SPARE PARTS	RECHANGES ERSATZTEILE	RECAMBIOS ONDERDELEN	SOBRESSALENTES CZĘŚCI ZAMIENNE	CȘEREALKATRÉSZEK NAHRADNÉ SÚCIÁSTKY	Q	
1 10 3015 60	dado autobloccante nut	ecrou Mutter	tuerca moer	porca nakrętką	anya matíca	2	M12-H.14 UNI 7473 Z.
2 10 3015 50	ruota tendicinghia belt-tightener wheel	roue tendeur courroie Riemenspannrad	nueda tensora de correa riemspanner-wiel	roda estender correia kolo naprężacza pasa	szíjfeszítőkerek napinací kolo remenu	1	
3 20 2821 00	dado autobloccante nut	ecrou Mutter	tuerca moer	porca nakrętką	anya matíca	13	M5-H.7 UNI 7473 Z.
4 10 3015 80	ferodo freno lama cutter brake ferodo	ferodo frein lame Messer-Bremsbelag	ferodo freno cuchilla ferodo mesrem	lona travão lamina ferodo hamulca ostrza	pengefék ferodo obložení brzdy nože	1	
5 10 8303 00	vite screw	vis Schraube	tornillo schroef	parafuso sruba	csavar skrutka	2	TE M5x16 UNI 5739 - 8,8 Z.
6 10 3015 10	leva tendicinghia lama cutter belt-tightener lever	levier tendeur courroie Riemenspannhebel	palanca tensora correa hendel riemspanner mes	alavanca estender correia dźwignia naprężacza pasa	pengeszíjfeszítőemeltető napinací páka nože	1	
9 10 3032 90	molla tendicinghia cutter-tightener spring	ressort tendeur courroie Riemenspannfeder	resorte tensor correa veer riemspanner	mola estender correia sprężyna naprężacza pasa	szíjfeszítőrugó, pruzina napínáku remenu	1	
10 10 3014 90	dado autobloccante nut	ecrou Mutter	tuerca moer	porca nakrętką	anya matíca	1	M16 -H18 UNI 7473- Z.
11 10 3003 80	rosetta piana washer	rondelle Scheibe	arandela borgring	aniha podkładka	alátét podložka	1	Ø 17x30x2,5 - Z.
12 10 3014 70	puleggia pulley	poulie Riemenscheibe	polea poelie	polie kółko zamachowe	tárcsa remenica	1	Ø 178 - F.16
13 10 3014 60	distanziale spacer	entretoise Abstandsstück	separador afstandsring	distanciador dystans	közrögzítő rozperka	1	Ø 17x30x25,5 H-Z.
14 10 3014 80	cuscinetto bearing	roulement Kugellager	rolamiento kugellager	rolamento łożysko	golyócsapágy łożysko	2	6304-2RS Ø 20x52x15
15 10 3013 60	distanziale interno internal spacer	entretoise intérieur Innen-Distanzstück	distanciador interior inwendig afstandstück	distanciador interior przekładka wewnętrzna	belső távolsító vnitřní rozperka	1	Ø 20x25x12,5 H
16 10 4076 00	vite screw	vis Schraube	tornillo schroef	parafuso sruba	csavar skrutka	1	TE M8x70 UNI 5737 - 8,8 Z.
17 20 1063 00	dado nut	ecrou Mutter	tuerca moer	porca nakrętką	anya matíca	1	M8 UNI 5587 Z.
18 10 3029 80	mozzo compl.sup.lama complete hub	moyeu complet Nebsatz	cubo completo complete naaf	cubo completo piastra kompletna	komplett kerékagy kompletní náboj	1	
19 20 4049 00	dado autobloccante nut	ecrou Mutter	tuerca moer	porca nakrętką	anya matíca	15	M8 - H.10 UNI 7473 Z.
20 10 3013 90	distanziale spacer	entretoise Abstandsstück	separador afstandsring	distanciador dystans	közrögzítő rozperka	1	Ø 20x25x7 H
21 10 3014 10	parapolvere eccentrico eccentric hood	protège-poussière excentrique Ausmittiger Staubschutz	guardapolvo excéntrico excentrische stofbesch.	guarda-pó excêntrico ochrona przed pyłem	külponos porvédó kryt proti prachu	1	
22 10 3013 70	albero supporto lama blade support shaft	arbre support lame Messerwelle	eje soporte cuchilla as messsupport	eixo suporte lamina wał podpora ostrza	pengertartótengely nosny kričel nože	1	
23 10 1009 00	linguetta tab	languette Lasche	lengueta lipje	lingueta wpułst	nyelvecske klín	2	4x6,5 UNI 6606
24 10 3031 03	piatto completo complete plate	plateau complet Kompletter Teller	plato completo complete bord	prato completo talerz kompletny	komplett tányér kompletní disk	1	RIDER 76
25 10 3014 00	flangia di rinforzo reinforcement flange	bride de renfort Verstärkungsfiansch	brida de refuerzo verstärkingsflens	flange de reforço kolmierz wzmacniający	erősítőkarima príruba zesílení	1	
26 10 0691 00	vite screw	vis Schraube	tornillo schroef	parafuso sruba	csavar skrutka	4	TE M8x45 UNI 5737 - 8,8 Z.
27 10 3014 20	supporto lama bearing blade	support lame Messerhalter	soporte cuchilla messemhouder	suporte da lamina uchwył noza	pergetarzó drziak noża	1	
28 10 3030 50	lama blade	lame Messer	cuchilla mes	lamina nóz	penge nóz	1	cm.76 ALET TATA
29 10 5309 00	rondella elastica washer	rondelle Scheibe	arandela borgring	aniha podkładka	alátét podložka	1	Ø 11x50x2,5
30 20 1205 80	vite screw	vis Schraube	tornillo schroef	parafuso sruba	csavar skrutka	1	TE 3/8" UNFx37 - 8,8 Z.
31 20 2818 00	dado autobloccante nut	ecrou Mutter	tuerca moer	porca nakrętką	anya matíca	1	M6 - H8 UNI 7473 - Z.
32 10 8322 00	rosetta piana washer	rondelle Scheibe	arandela borgring	aniha podkładka	alátét podložka	1	Ø 6/24/2
33 20 1226 00	vite screw	vis Schraube	tornillo schroef	parafuso sruba	csavar skrutka	1	TE M6x20 UNI 5739 - 8,8 Z.
34 10 3016 53	tunnel carico erba grass loading tunnel	tunnel chargement herbe Grasladetunnel	túnel garga hierba Graslaadtunnel	túnel carga relva tunel ładowania trawy	fűrakodócső sberací tunel trávy	1	
35 10 1217 00	vite screw	vis Schraube	tornillo schroef	parafuso sruba	csavar skrutka	1	TE M8x35 UNI 5739 - 8,8 Z.
36 10 3016 70	rosetta piana washer	rondelle Scheibe	arandela borgring	aniha podkładka	alátét podložka	2	Ø 8x32x2,5 Z.
37 10 3016 00	distanziale spacer	entretoise Abstandsstück	separador afstandsring	distanciador dystans	közrögzítő rozperka	1	Ø 10x14x16 H
38 10 3030 70	rosetta piana washer	rondelle Scheibe	arandela borgring	aniha podkładka	alátét podložka	2	Ø 12,5x36x2,5-Z
39 10 3030 60	boccola per tendicinghia bushing	douille Buchse	casquillo huls	casquillo tuleja	csapágycsésze poudzro	1	
40 10 3030 80	vite screw	vis Schraube	tornillo schroef	parafuso sruba	csavar skrutka	1	TE M12x35 - 8,8 UNI 5739 - Z.
41 10 3031 33	ventola piatto cooling fan	helice Lüfterrad	helice ventilator	helice kolo chłodziące	ventilátor ventilátor	1	lama cm76
42 10 3031 13	coperchio ventola cover	couvercle Deckel	tapa kapje	tampa fedél	pokrywa veko	1	
43 10 3031 60	squadretta posteriore bottom bracket	support posterieur Hinterrhalter	escuadra posterior houder	suporte uchwył	tartó drziak	1	
44 10 3031 70	squadretta anteriore prior bracket	support antérieur Früherhalter	esc uadra anterior houder	suporte uchwył	tartó drziak	2	
45 10 3032 43	deflettore deflector	deflecteur Prallblech	deflector deschermkap	deflector klapka	védőkarter chránic	1	
46 10 1142 00	rosetta piana washer	rondelle Scheibe	arandela borgring	aniha podkładka	alátét podložka	10	Ø 8/16/1,5Z
47 10 3032 63	staffa support	support Halter	soporte houder	suporte uchwył	tartó drziak	1	
48 10 3033 40	molla a tazza belleville washer	ressort á godet Becherfeder	muelle cónico compresión schotelveer	mola formato de taça sprężyna talerzowa	csésze formájú rugó talírová pružina	1	DIN 2093 Ø 45/22,4/2,2
49 20 3823 00	vite screw	vis Schraube	tornillo schroef	parafuso sruba	csavar skrutka	10	TE M8x20 UNI 5739-8,8.Z
50 10 3033 00	vite screw	vis Schraube	tornillo schroef	parafuso sruba	csavar skrutka	11	TE M5x14 UNI 5739-8,8.Z
51 10 2847 00	rosetta piana washer	rondelle Scheibe	arandela borgring	aniha podkładka	alátét podložka	5	Ø 5/15/1,5 Z.

mod. 67 - mod. 76 MEC - TAV. 4

KIT TELAIO - KIT CHASSIS - CHASSIS KIT - KIT RAHMEN - KIT CHASIS - KIT FRAME - KIT CHASSI - KIT KORPUS - KIT VAZ - KIT KOSTRA

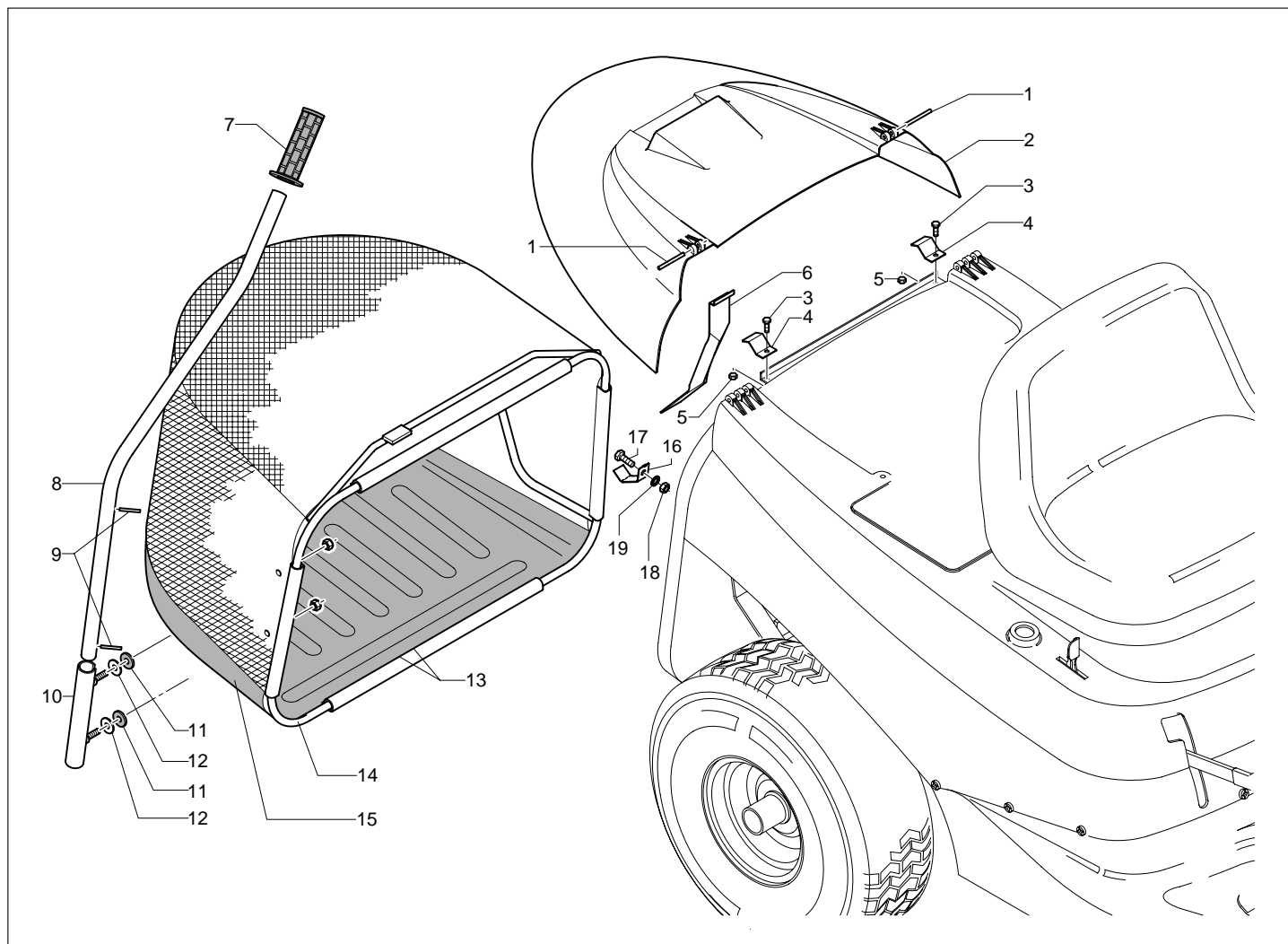






mod. 67 - mod. 76 MEC - TAV. 8

KIT RACCOGLIERBA - KIT BAC - GRASS CATCHER KIT - GRASFANGKORBES KIT - KIT CESTILLO - KIT GRASOPVANGBAK -
KIT CESTO - KIT ZBIORNIKA NA TRAWIE - FELSZERELESE KIT - ZBERACA SKOSENEJ TRAVY KIT



N.ord. - N. pieces part. N. - Bestell N.	RICAMBI SPARE PARTS	RECHANGES ERSATZTEILE	RECAMBIOS ONDERDELEN	SOBRESALENTES CZĘŚCI ZAMIENNE	CȘEREALKATRÉSZEK NÁHRADNÉ SUC*ASTKY	Q	
1 10 3027 40	spina cilindrica pin	goupille Spannhülse	pasador pin	golpilha napinacz	csap zastrčka	2	Ø 5x50 UNI 1707
2 10 3026 17	cop.cesto raccogliërba grass collector bin cover	couv.panier ramasseur Grasfangkorbdeckel	cob.cesto recogedor hierba bedekk.grasverzamelbak	tampa cesto colecta relva pokrycie kosza zbierania	fűgyűjtőkösárburkolat kryt sbërní kosík trávy	1	
3 20 6551 00	vite screw	vis Schraube	tornillo schroef	parafuso sruba	csavar skrutka	2	TE M6x16 UNI 5739 - 8,8 Z
4 10 3018 00	piastrina fissag.cesto bin fixture plate	platine fixation panier Graskorbblockierplättchen	placa fijación cesto bevestigingsplaatje bak	plaqinha fixação cesto plyta umocowania kosza	kosárrögztítő lernezcëske pripevnovací deska kosíku	2	
5 20 2818 00	dado autobloccante nut	ecrou Mutter	tuerca moer	porca nakrëtkã	anya maticã	2	M6 - H8 UNI 7473 Z.
6 10 3009 20	piastra rileva cesto pieno full bin monitor plate	plaque soulév.panier plein Graskorbfüll-Anzeigerpl.	placa detecta cesto lleno plaat voor waarneming	placa indic.cesto chieo plyta podnoszenia kosza	felikosár felmërõlemez signalizacní deska kosík	1	
7 10 3017 93	manopola nera black knob	poignée noire Schwarzer Griff	manopla negra zwarte knop	botão preto uchwyt czarny	fekete húzókar cernã rukojet	1	Ø 20
8 10 3017 63	tubo ribaltamento cesto bin tilter tube	tube basculement panier Graskorbkipprohr	tubo basculamineto cesto slang bakomkanteling	tubo basculamento cesto rura wywracania kosza	kosárfelborítõcsõ vyklápecí trubka kosíku	1	
9 10 3017 70	spina Spirol pin	goupille Spannhülse	pasador pin	golpilha napinacz	csap zastrčka	2	Ø 4x26 DIN 7343
10 10 3017 43	supporto leva cesto bin lever support	support levier panier Graskorbhebelhalter	sop.palanca cesto supp.voor hendel bak	sup.alavanca cesto podpora dzwigni kosza	kosáremelyütartó držák páky kosíku	1	
11 10 3008 10	rosetta antivibrante washer	rondelle Scheibe	arandela borgring	aniha podklãdka	alátét podlozka	2	Ø 9x25x3
12 10 0663 00	rosetta piana washer	rondelle Scheibe	arandela borgring	aniha podklãdka	alátét podlozka	2	Ø 8x24x2 Z.
13 20 4049 00	dado autobloccante nut	ecrou Mutter	tuerca moer	porca nakrëtkã	anya maticã	2	M8 - H10 UNI 7473 - Z.
14 10 3017 13	intelaiatura cesto bin frame	cadre panier Graskorbrahmen	bastidor cesto bakframe	estrutura cesto szkielet kosza	kosárváz nosní konstrukce kosíku	1	
15 10 3017 23	telatura cesto bin fabric covering	revêtement en toile panier Graskorbttuch	revestim.de tela cesto bakbedekking	forro do cesto konstrukcja kosza	kosár vászonburkolat pláténã vnitřní část kosíka	1	
16 10 3033 90	gancio cable hook	crochet Zugentlastung	soporte de cable haak	suporte do cabo uchwyt linki rozrusznika	horog hák	1	
17 10 1182 00	vite screw	vis Schraube	tornillo schroef	parafuso sruba	csavar skrutka	1	M 8x12
18 20 1063 00	dado nut	ecrou Mutter	tuerca moer	porca nakrëtkã	anya maticã	1	M8
19 20 1062 00	rondella elastica washer	rondelle Scheibe	arandela borgring	aniha podklãdka	alátét podlozka	1	Ø 8E

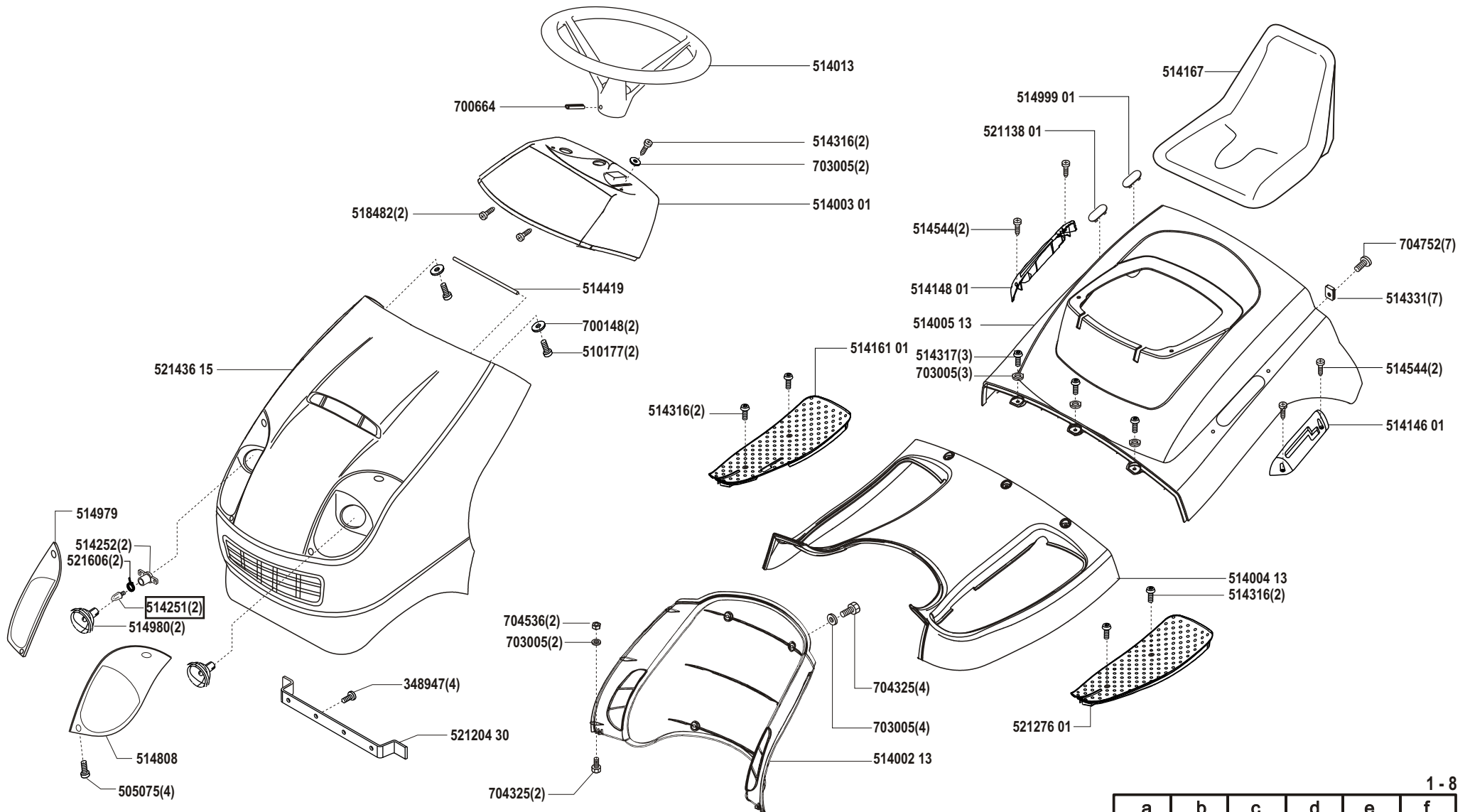
T 13 - 85

Art.-Nr.: 118055



EuroCUT

2000



1 - 8

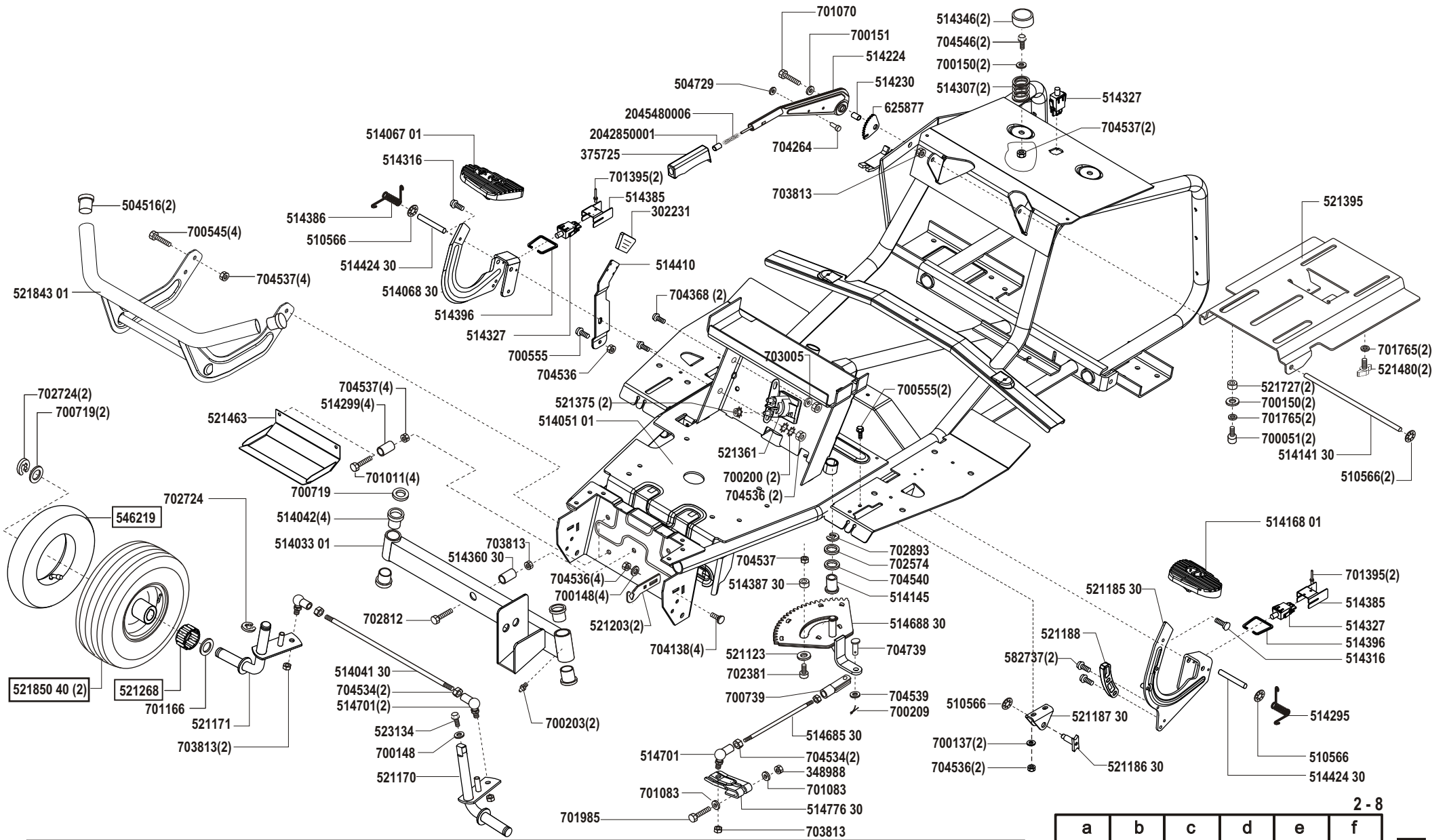
a	b	c	d	e	f
03/00	04/00	01/01	02/03		

T 13 - 85

Art.-Nr.: 118055

EuroCUT

2000



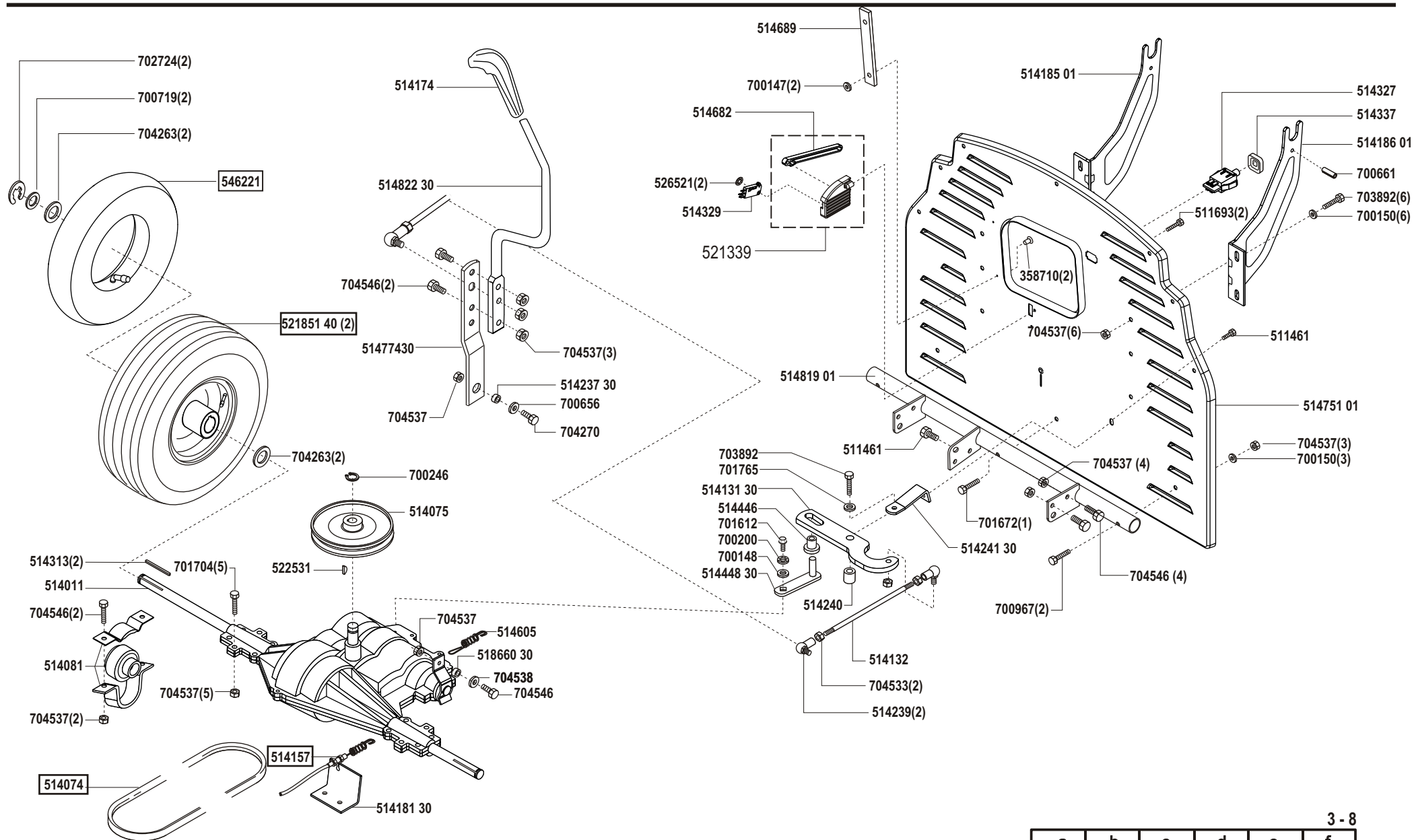
a	b	c	d	e	f
02/00	04/00	02/03	04/03		

T 13 - 85

Art.-Nr.: 118055

EuroCUT

2000



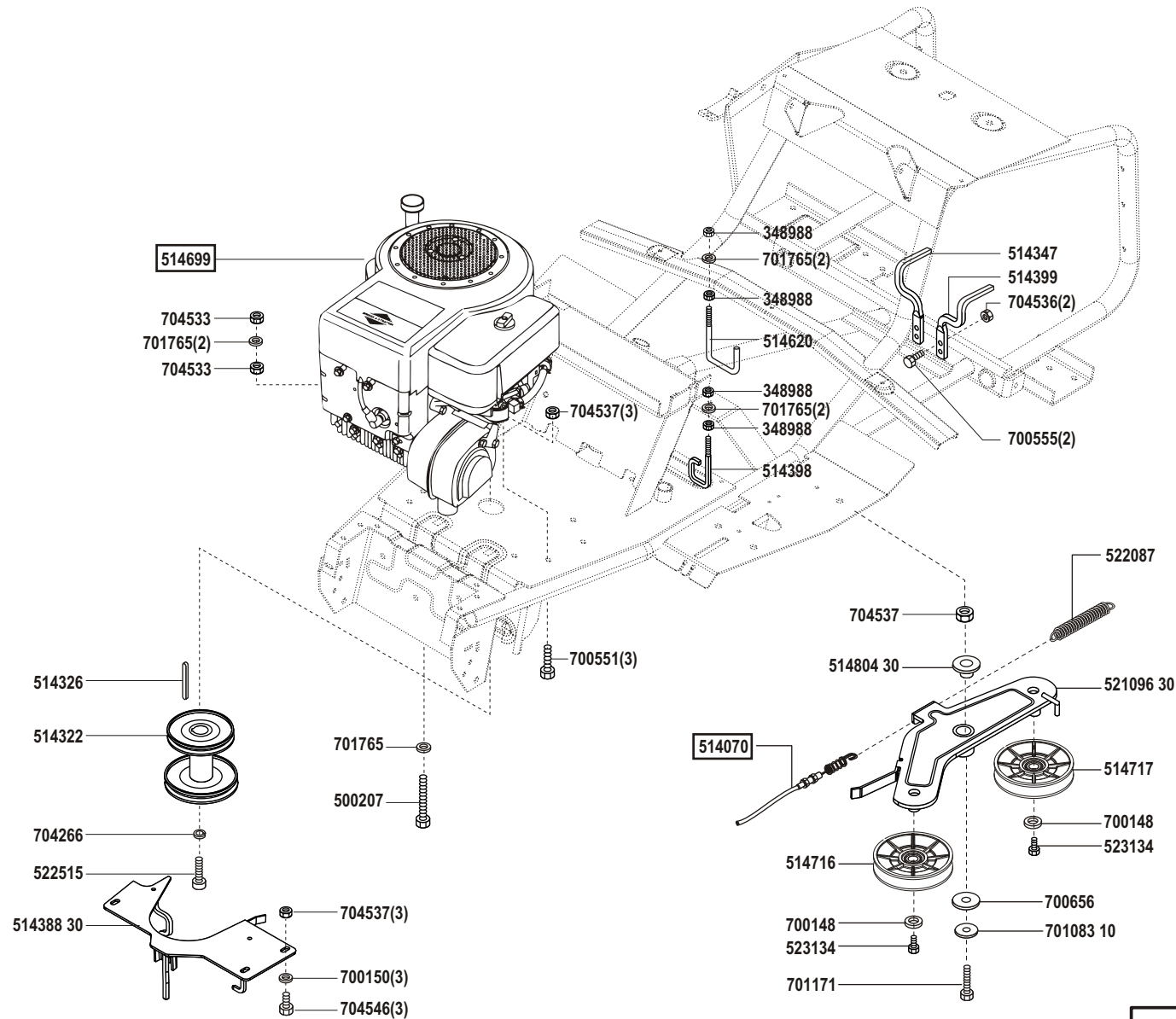
a	b	c	d	e	f
02/00	04/00	01/01	02/03	04/03	

T 13 - 85

Art.-Nr.: 118055

EuroCUT

2000



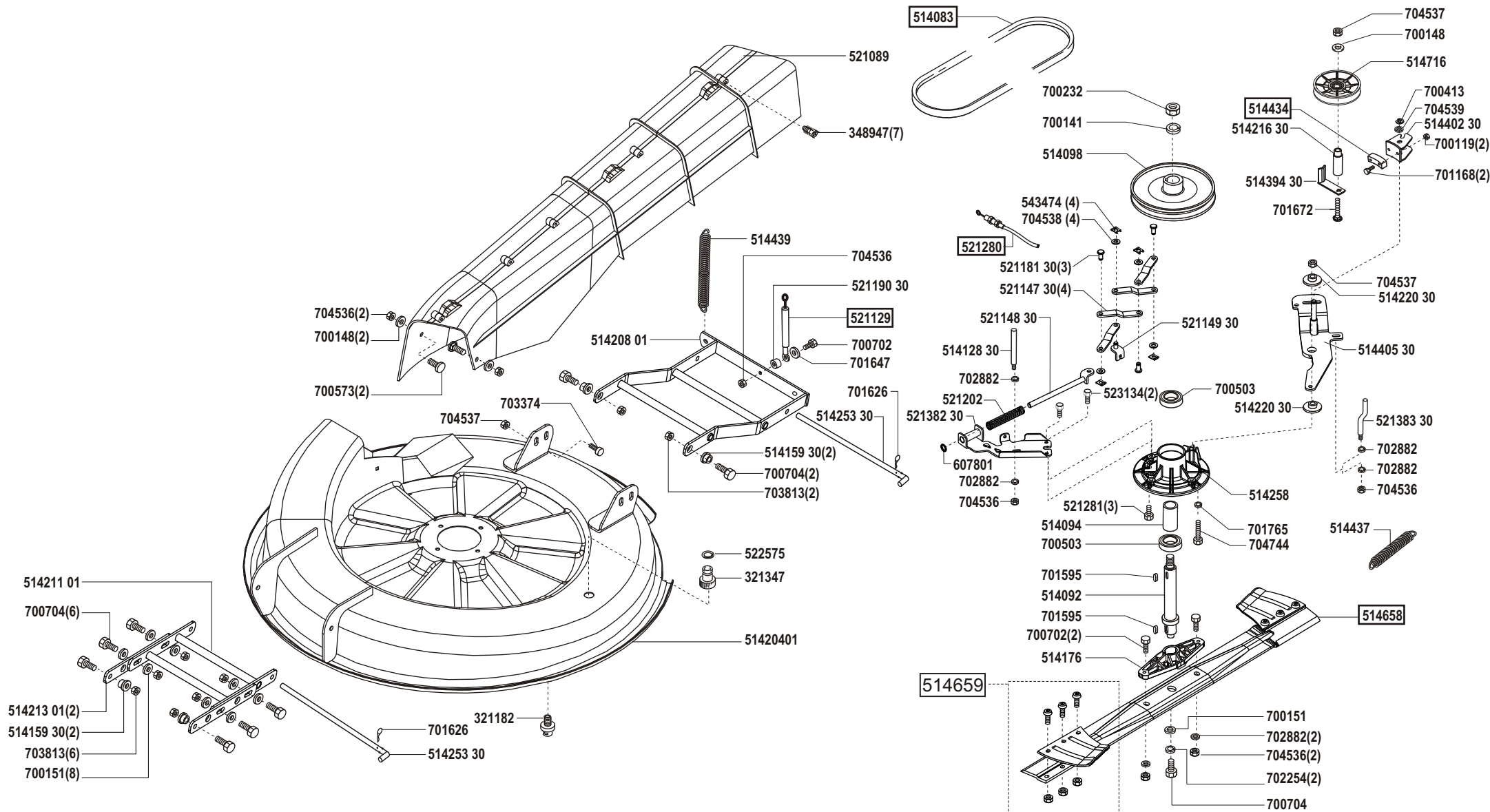
a	b	c	d	e	f
02/00	01/01	02/03			

T 13 - 85

Art.-Nr.: 118055

EuroCUT

2000



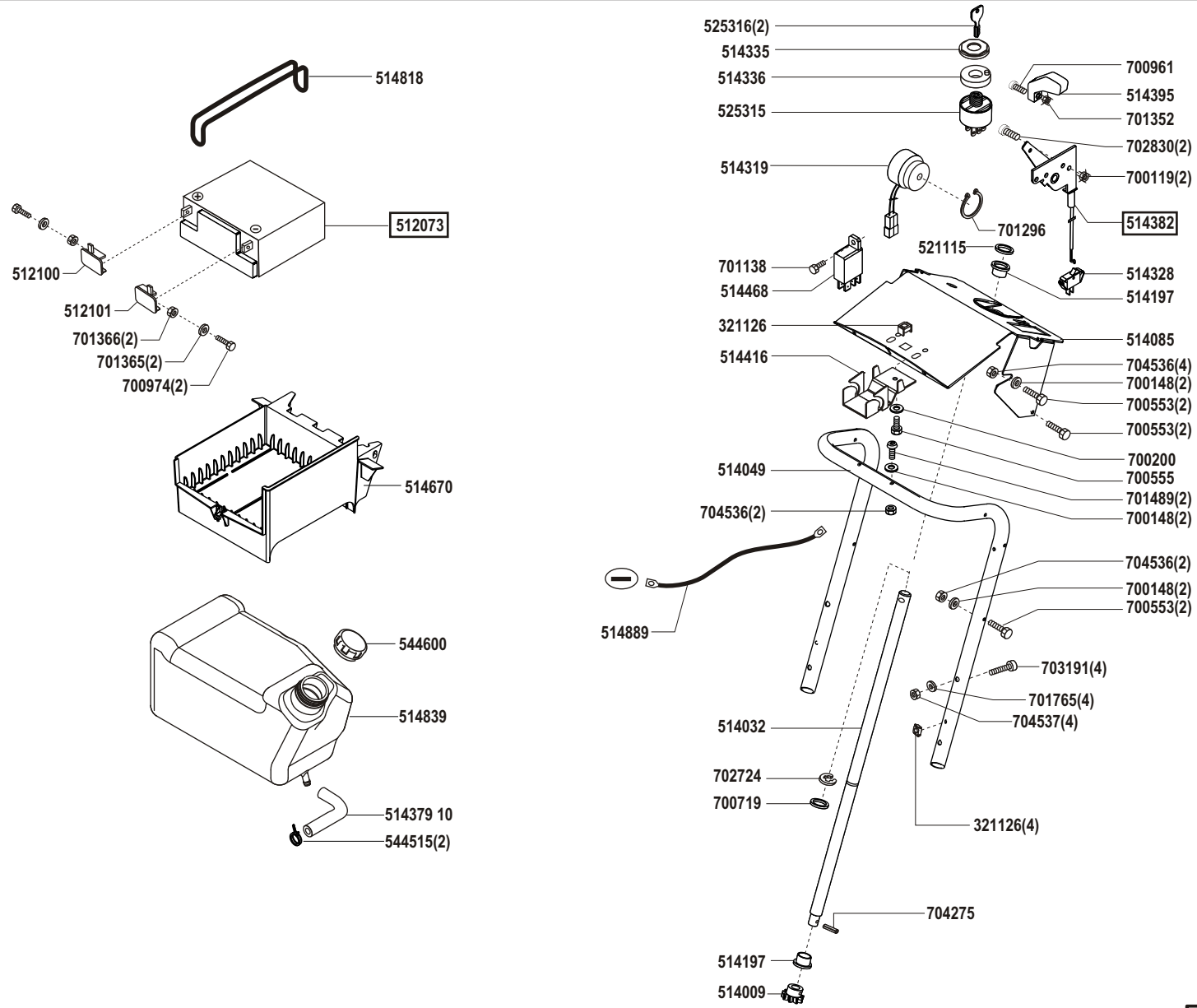
a	b	c	d	e	f
02/00	04/00	01/01	02/03		

T 13 - 85

Art.-Nr.: 118055

EuroCUT

2000



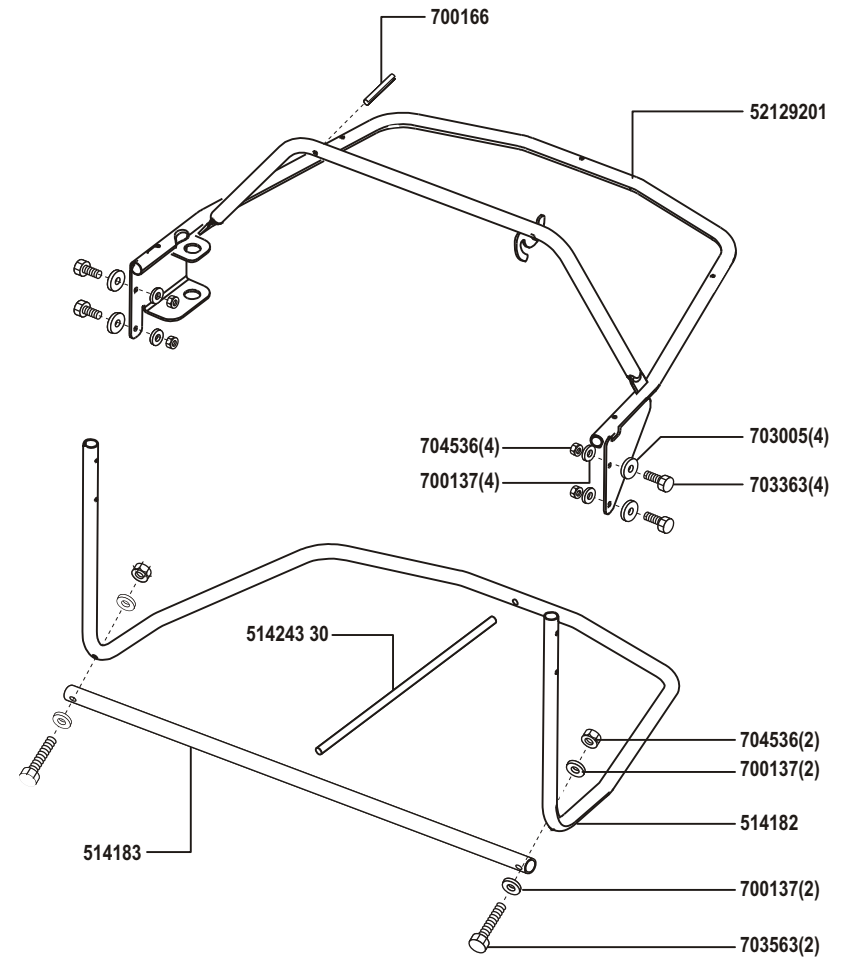
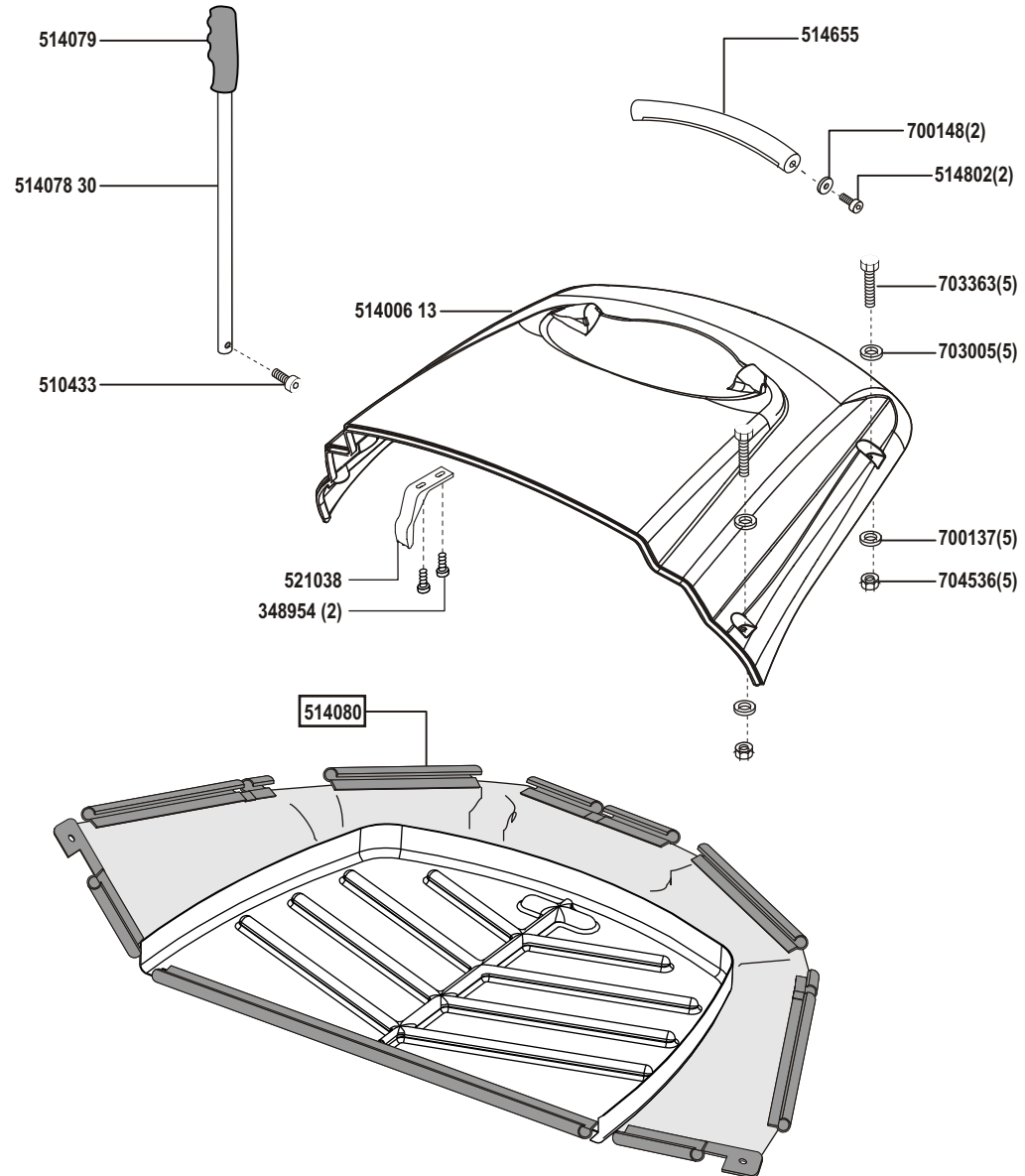
a	b	c	d	e	f
02/00	01/01	02/03			

T 13 - 85

Art.-Nr.: 118055

EuroCUT

2000



7 - 8

a	b	c	d	e	f
04/00	02/03				

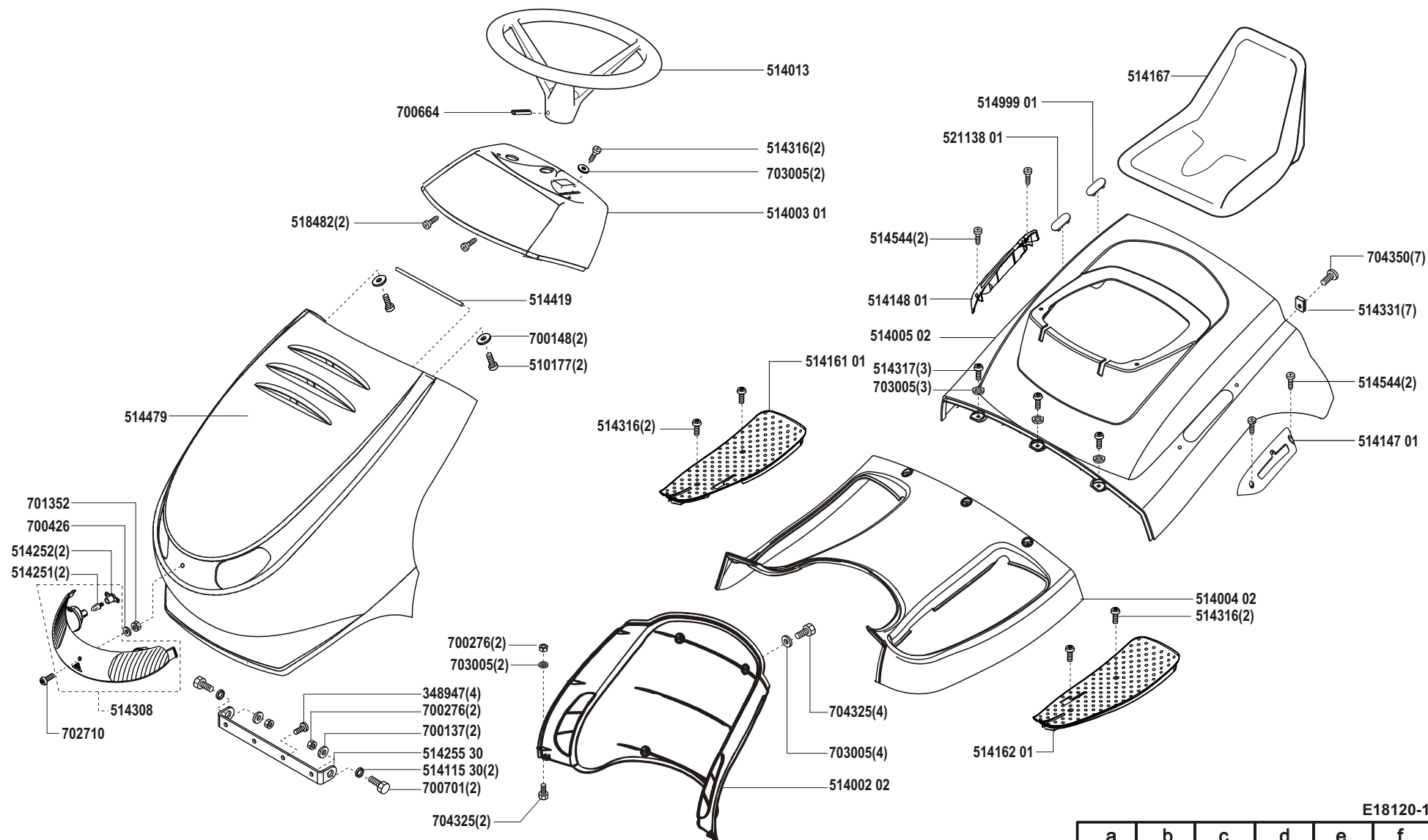
T 14 - 85 HD-H

Art.-Nr.: 118120



EuroCUT

2000



E18120-1

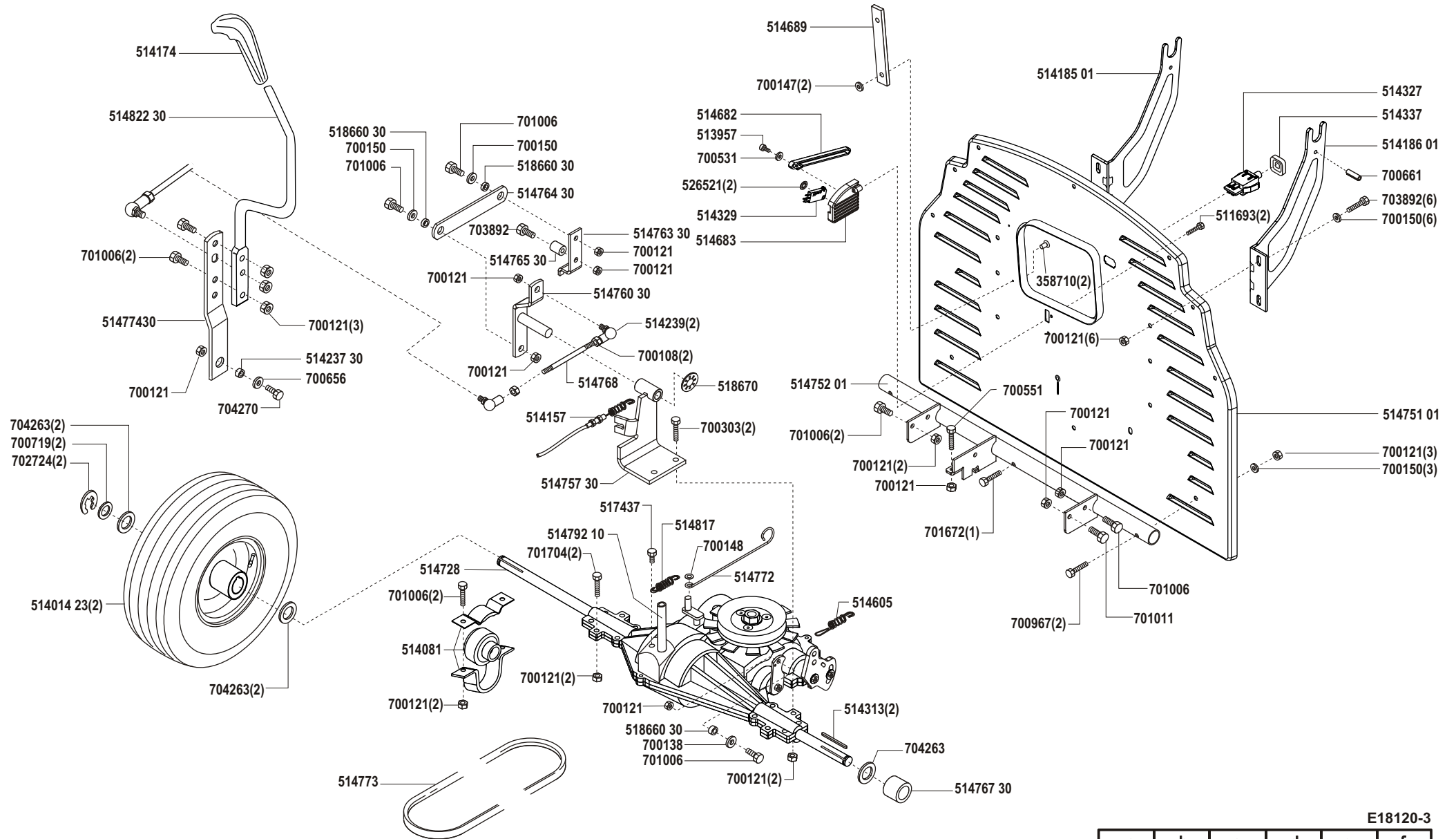
a	b	c	d	e	f
03/00					

T 14 - 85 HD-H

Art.-Nr.: 118120

EuroCUT

2000



E18120-3

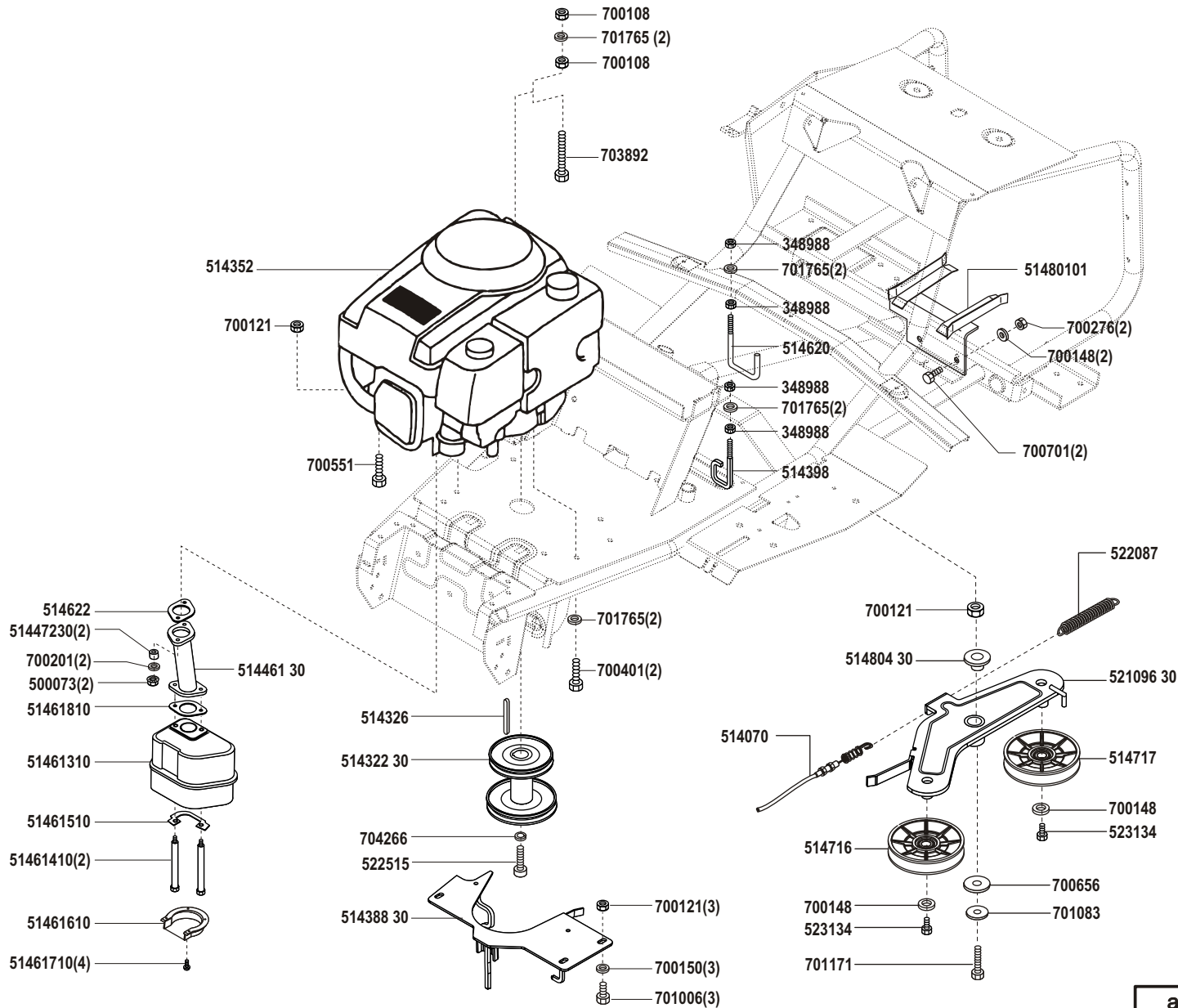
a	b	c	d	e	f
---	---	---	---	---	---

T 14 - 85 HD-H

Art.-Nr.: 118120

EuroCUT

2000



E18120-4

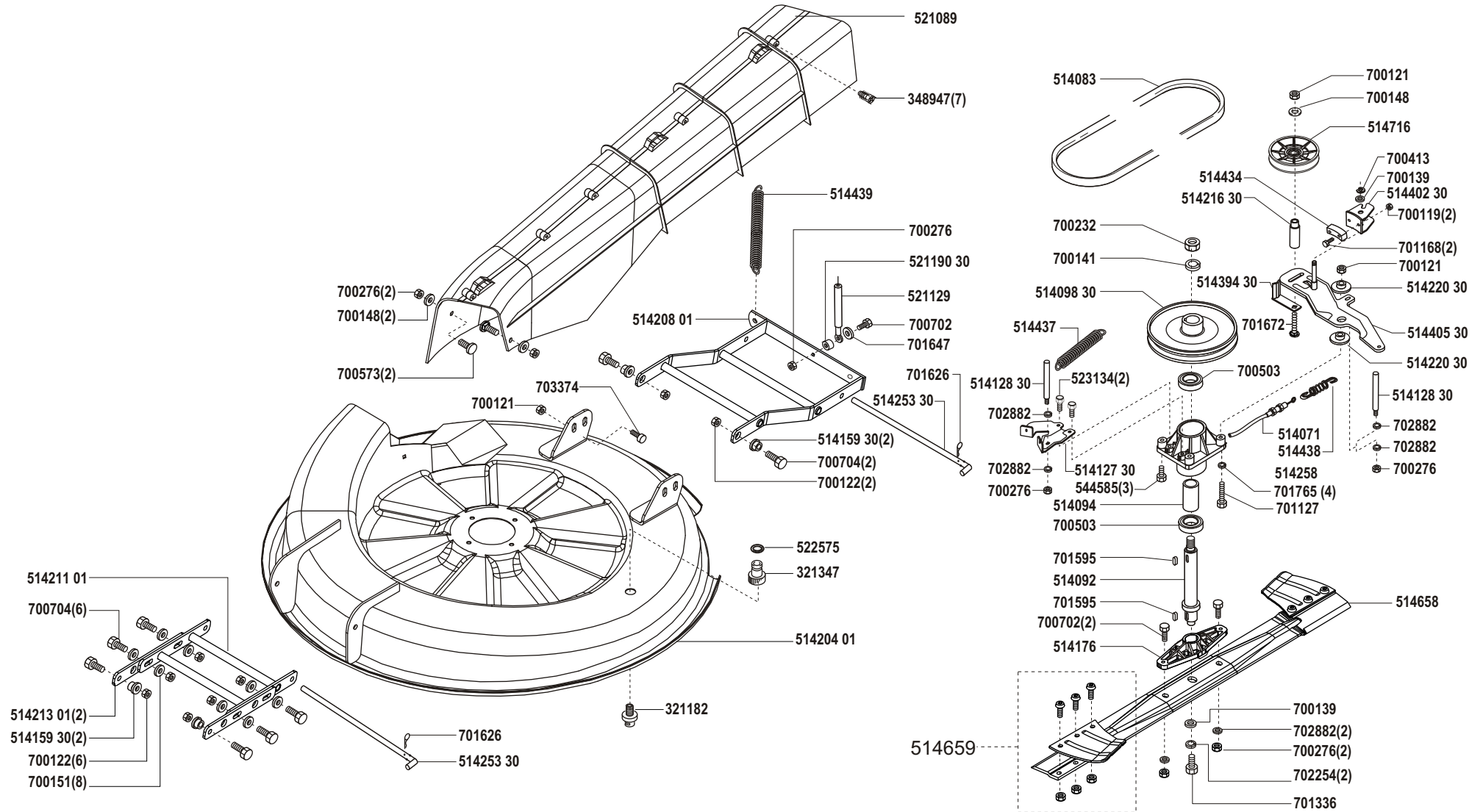
a	b	c	d	e	f
03/00					

T 14 - 85 HD-H

Art.-Nr.: 118120

EuroCUT

2000



E18120-5

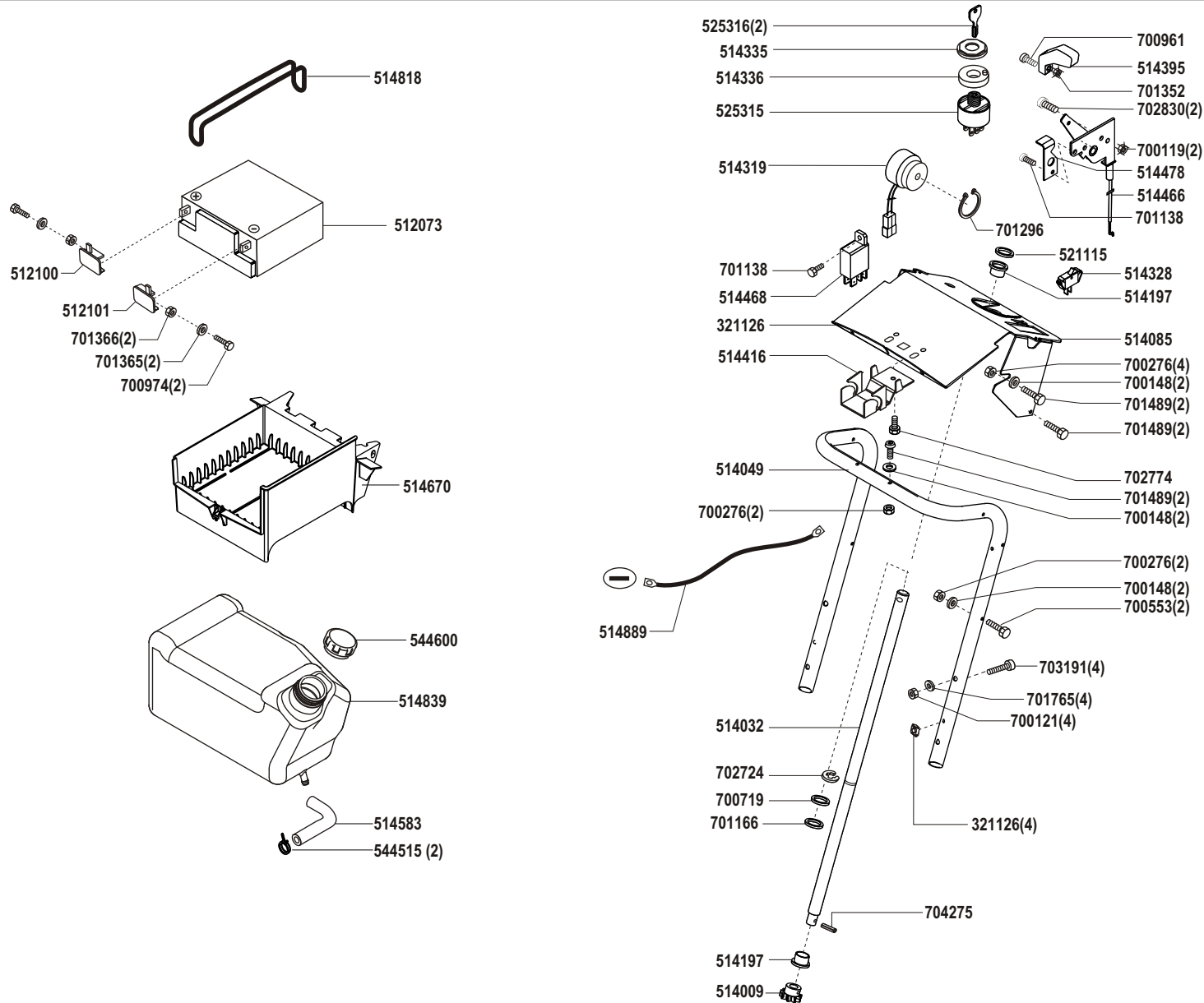
a	b	c	d	e	f
---	---	---	---	---	---

T 14 - 85 HD-H

Art.-Nr.: 118120

EuroCUT

2000



E18120-6

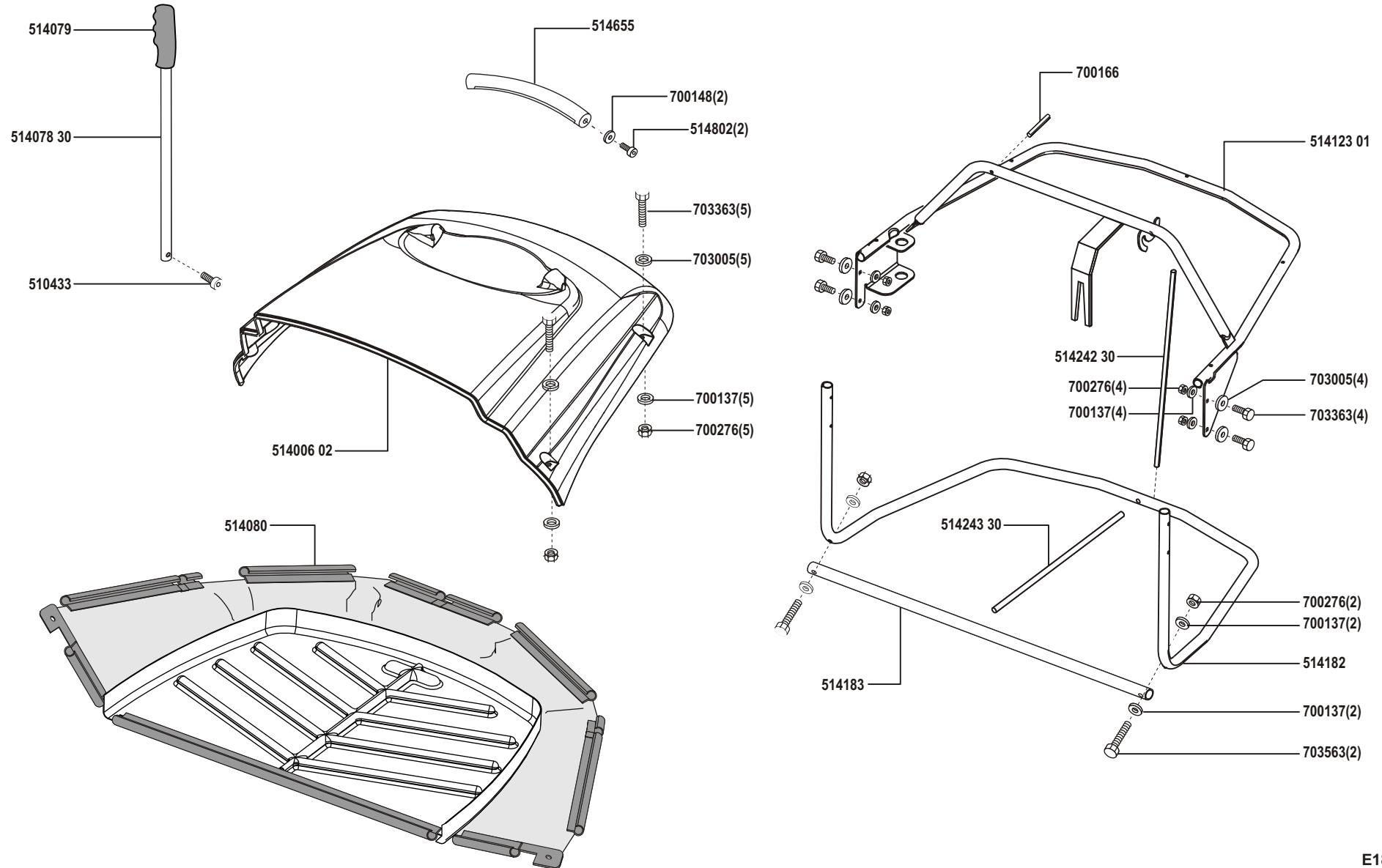
a	b	c	d	e	f
---	---	---	---	---	---

T 14 - 85 HD-H

Art.-Nr.: 118120

EuroCUT

2000



E18120-7

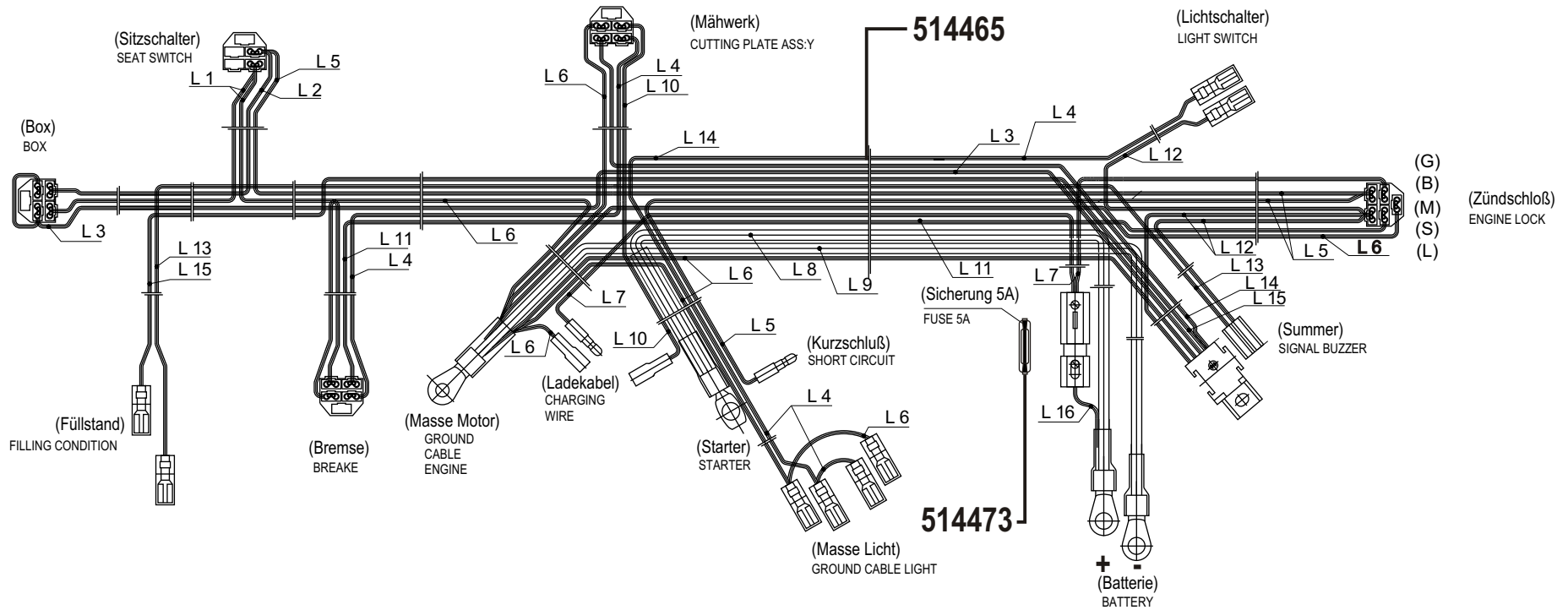
a	b	c	d	e	f
04/00					

T 14 - 85 HD-H

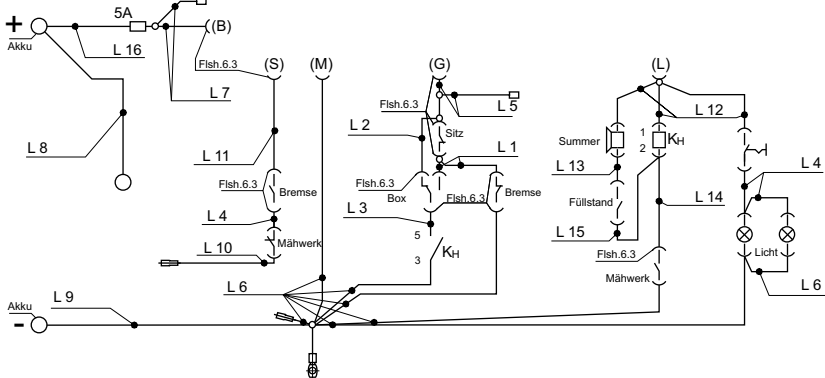
Art.-Nr.: 118120

EuroCUT

2000



Schaltplan Traktor E-Start
CONNECTION DIAGRAM E-STARTER



- | | |
|------------------|------------|
| L 1 = rosa | pink |
| L 2 = grau | grey |
| L 3 = weiß | white |
| L 4 = braun | brown |
| L 5 = grün | green |
| L 6 = schwarz | black |
| L 7 = rot | red |
| L 8 = rot | red |
| L 9 = blau | blue |
| L 10 = violett | violet |
| L 11 = orange | orange |
| L 12 = gelb | yellow |
| L 13 = blau | blue |
| L 14 = rot/weiß | red/white |
| L 15 = weiß/blau | white/blue |
| L 16 = rot | red |

E18120-8

a	b	c	d	e	f
---	---	---	---	---	---

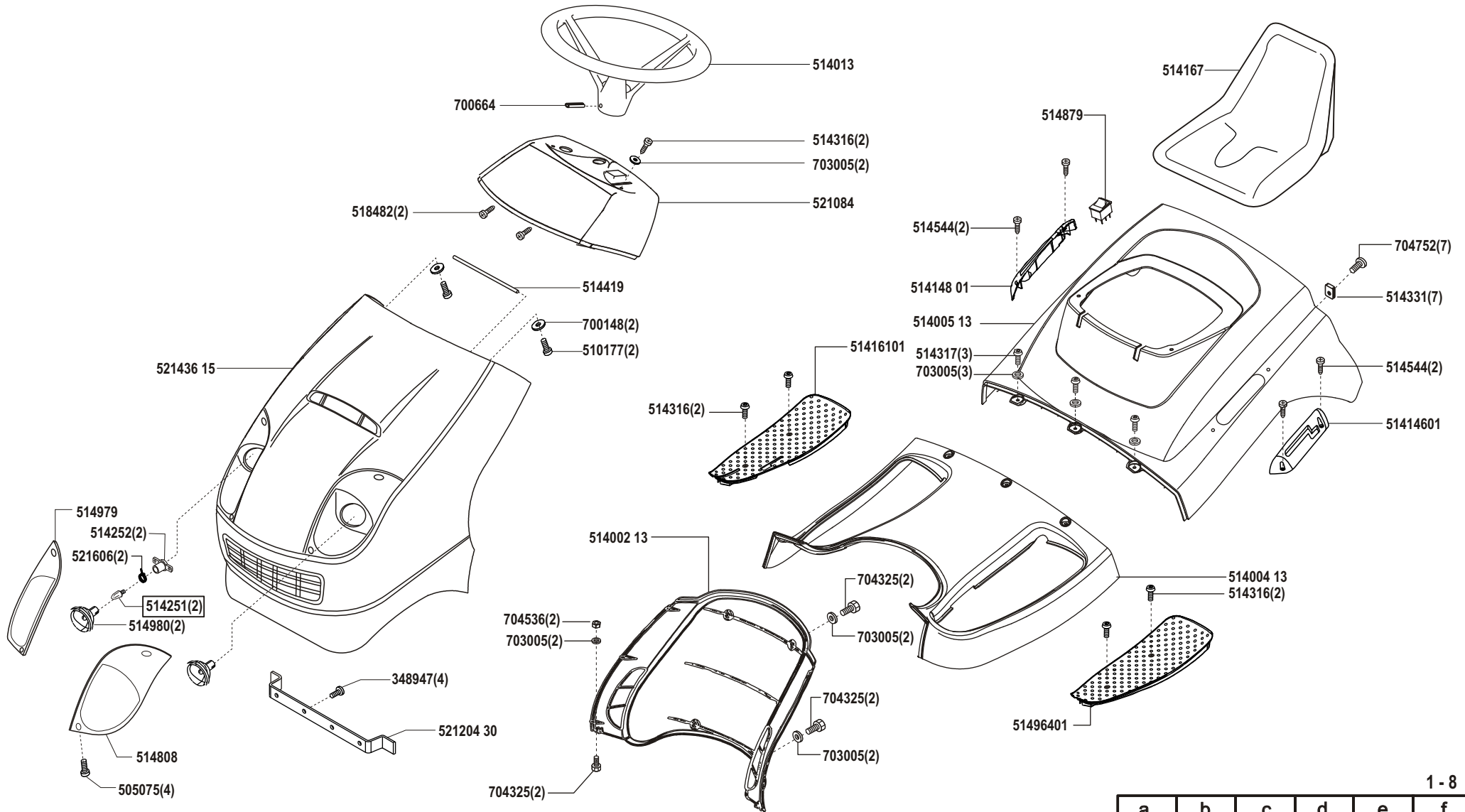
T 13 - 102

Art.-Nr.: 118194



TWIN

2000



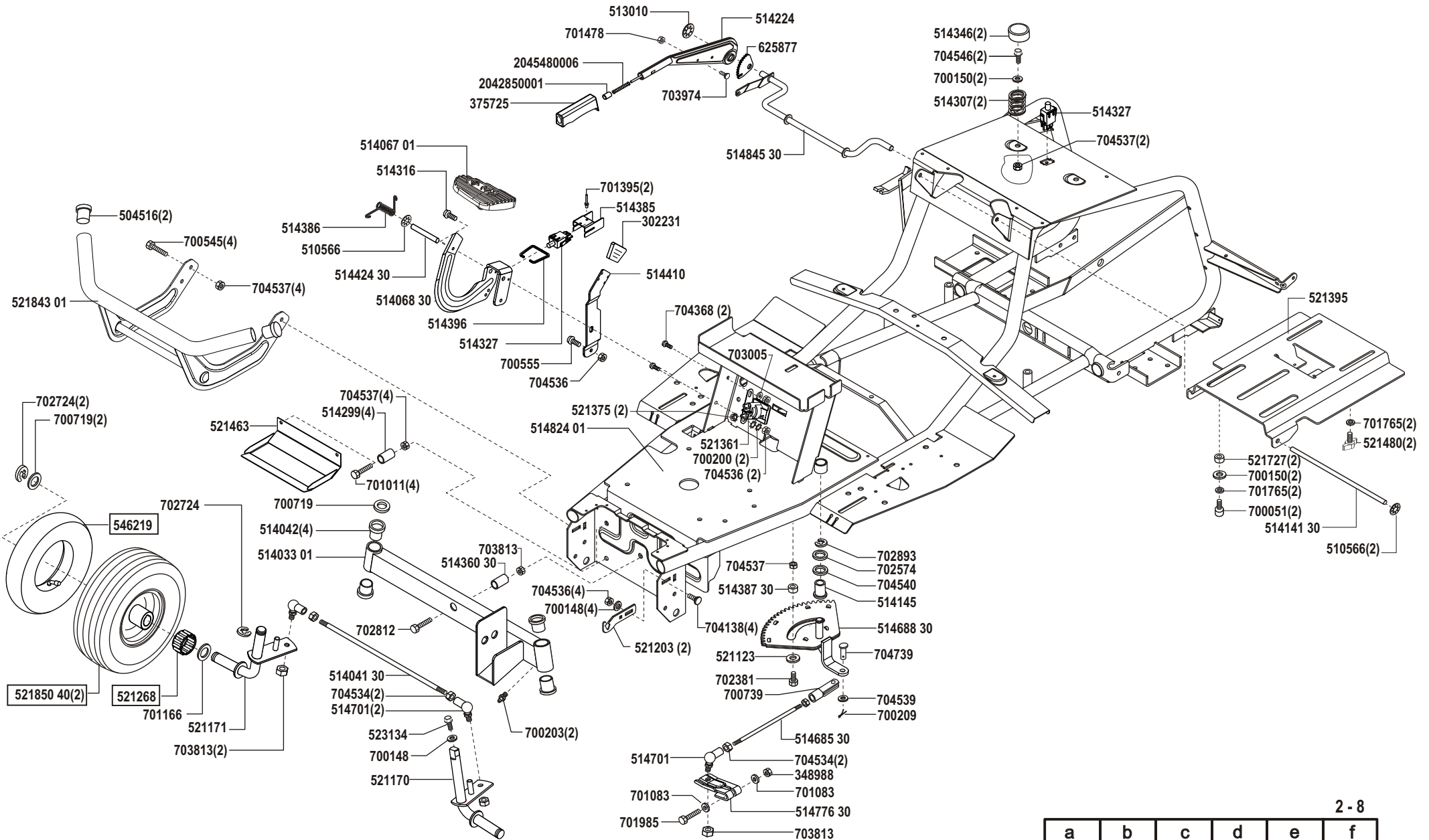
a	b	c	d	e	f
01/01	05/02	02/03			

T 13 - 102

Art.-Nr.: 118194

TWIN

2000



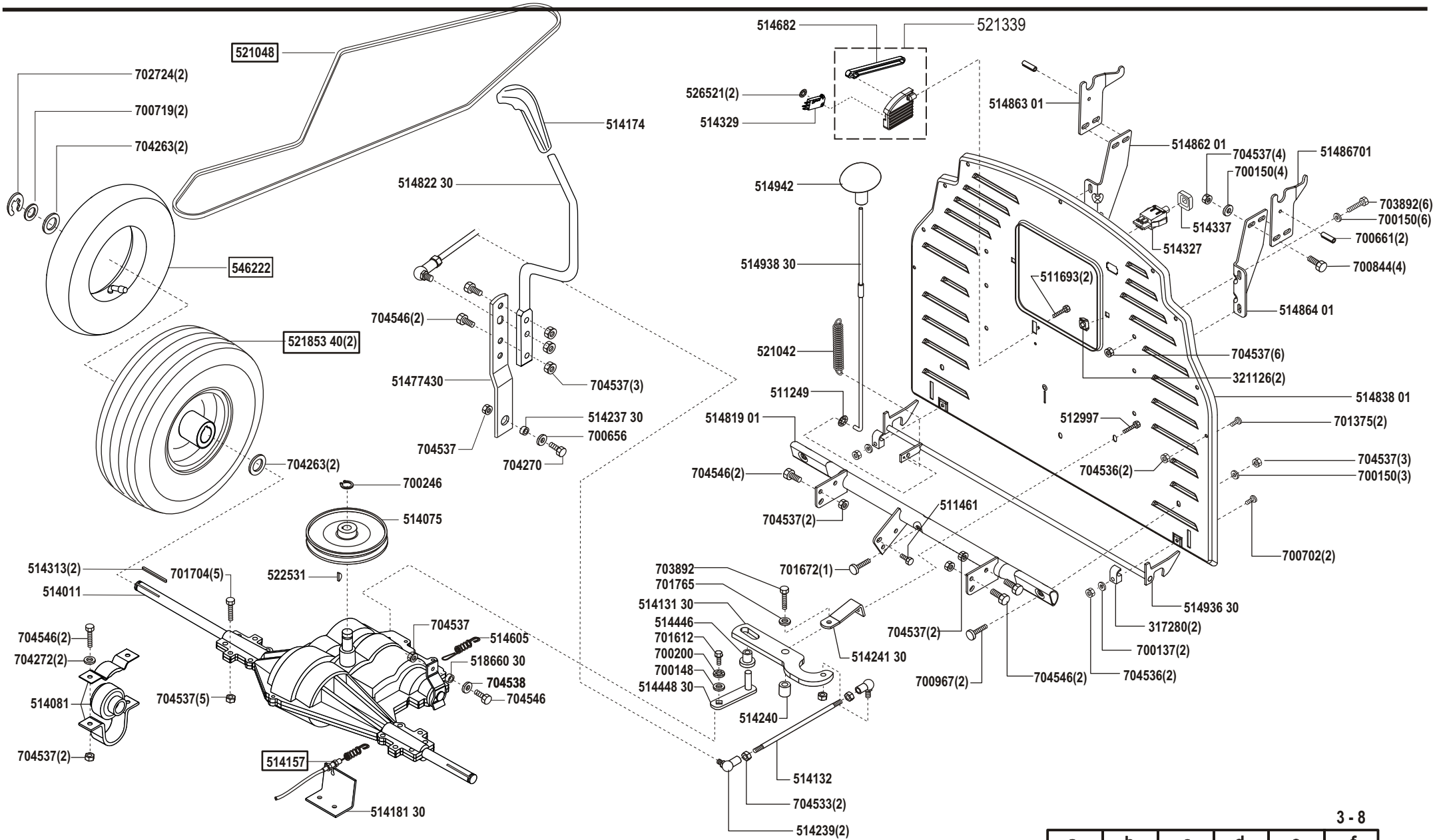
a	b	c	d	e	f
05/02	02/03				

T 13 - 102

Art.-Nr.: 118194

TWIN

2000



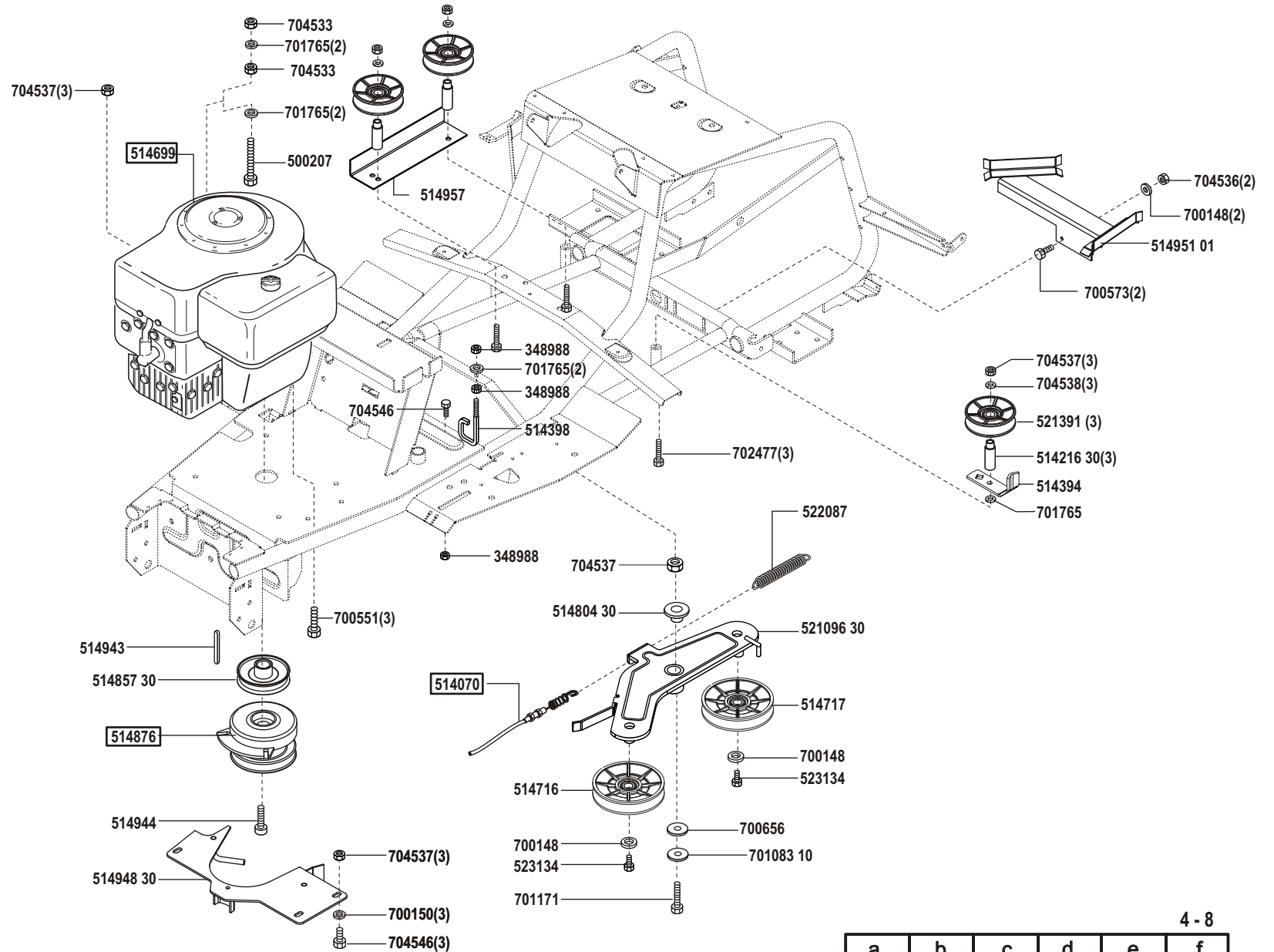
a	b	c	d	e	f
05/02	02/03				

T 13 - 102

Art.-Nr.: 118194

TWIN

2000



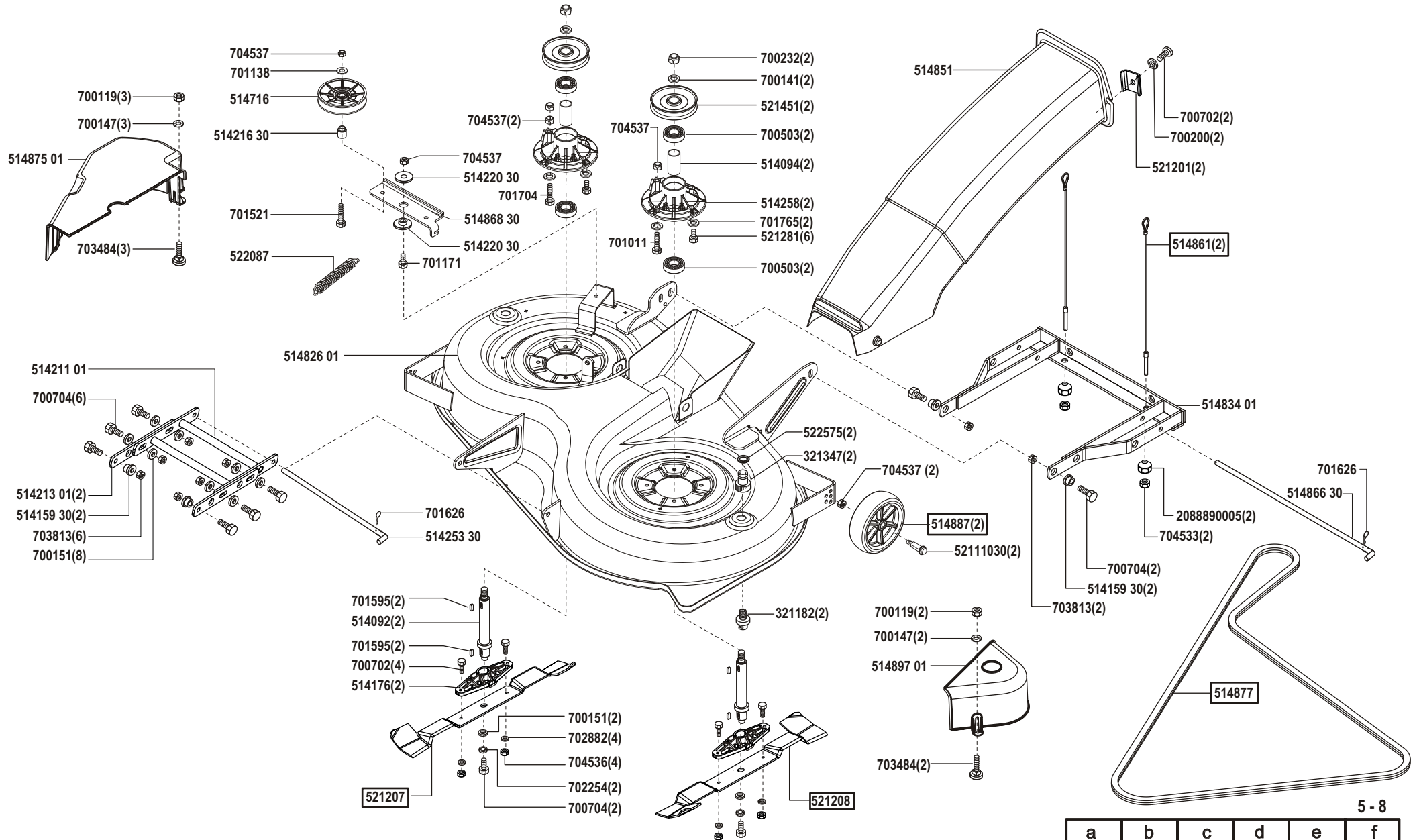
a	b	c	d	e	f
05/02	02/03				

T 13 - 102

Art.-Nr.: 118194

TWIN

2000



5 - 8

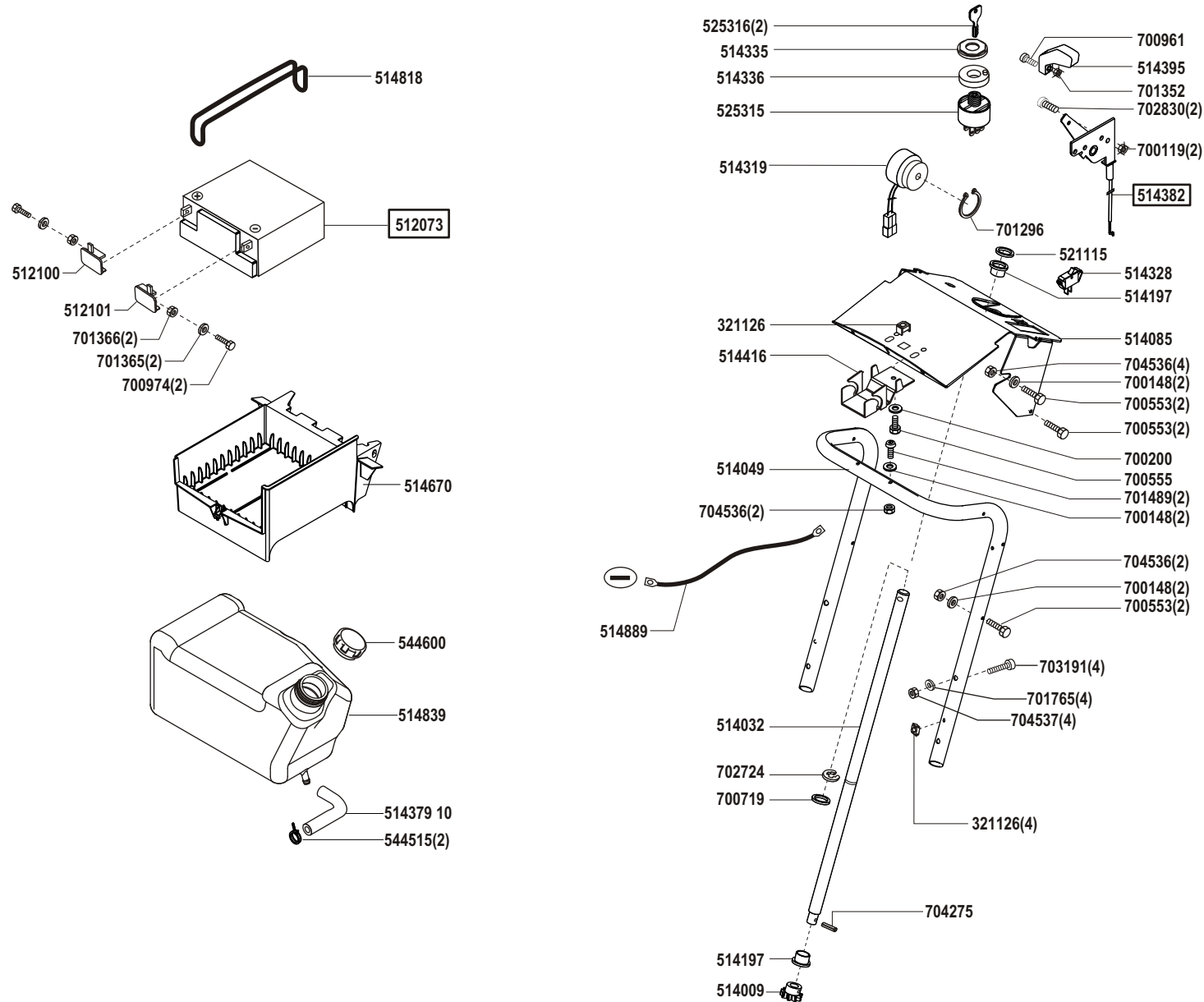
a	b	c	d	e	f
05/02	02/03				

T 13 - 102

Art.-Nr.: 118194

TWIN

2000



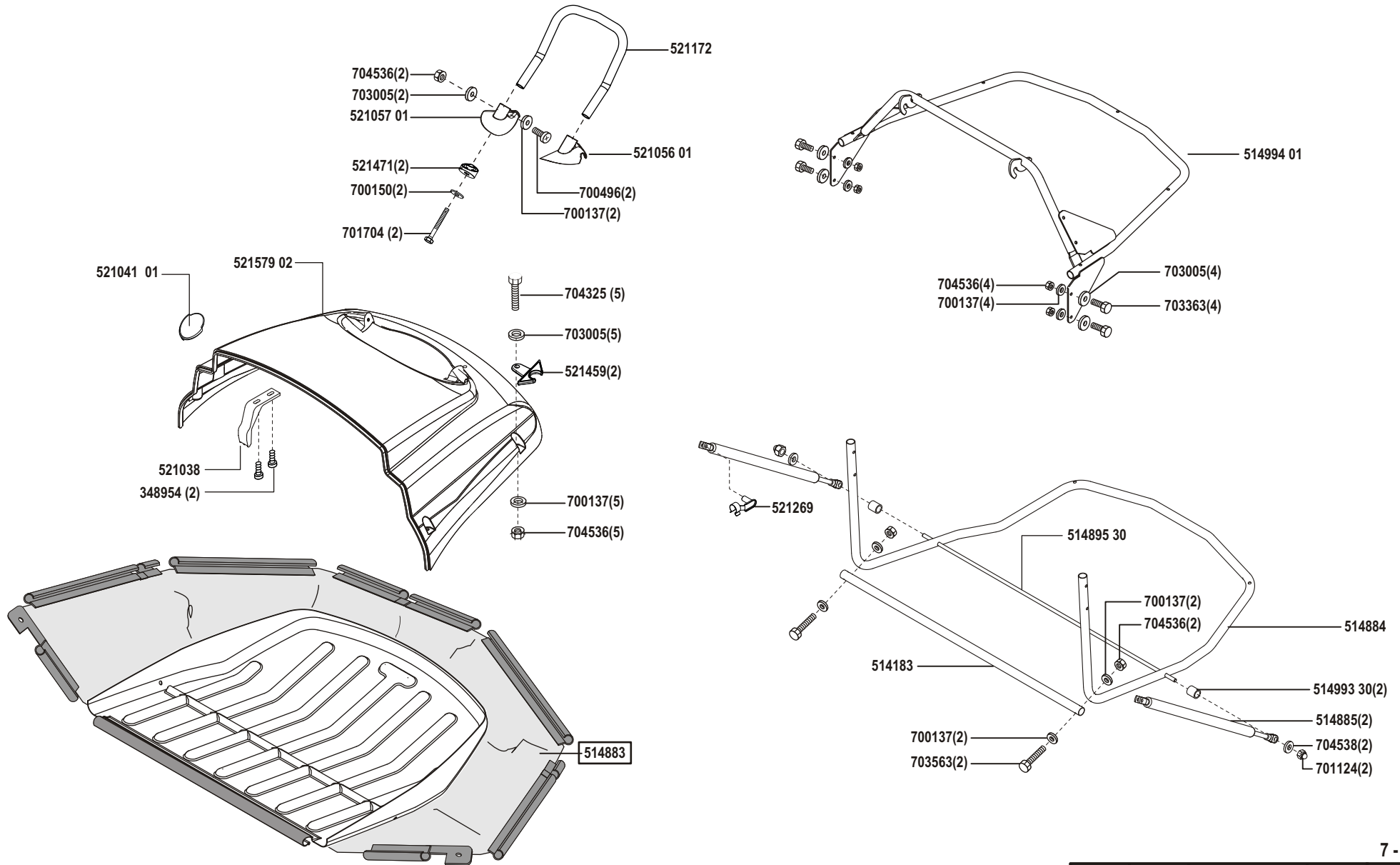
a	b	c	d	e	f
05/02	02/03				

T 13 - 102

Art.-Nr.: 118194

TWIN

2000



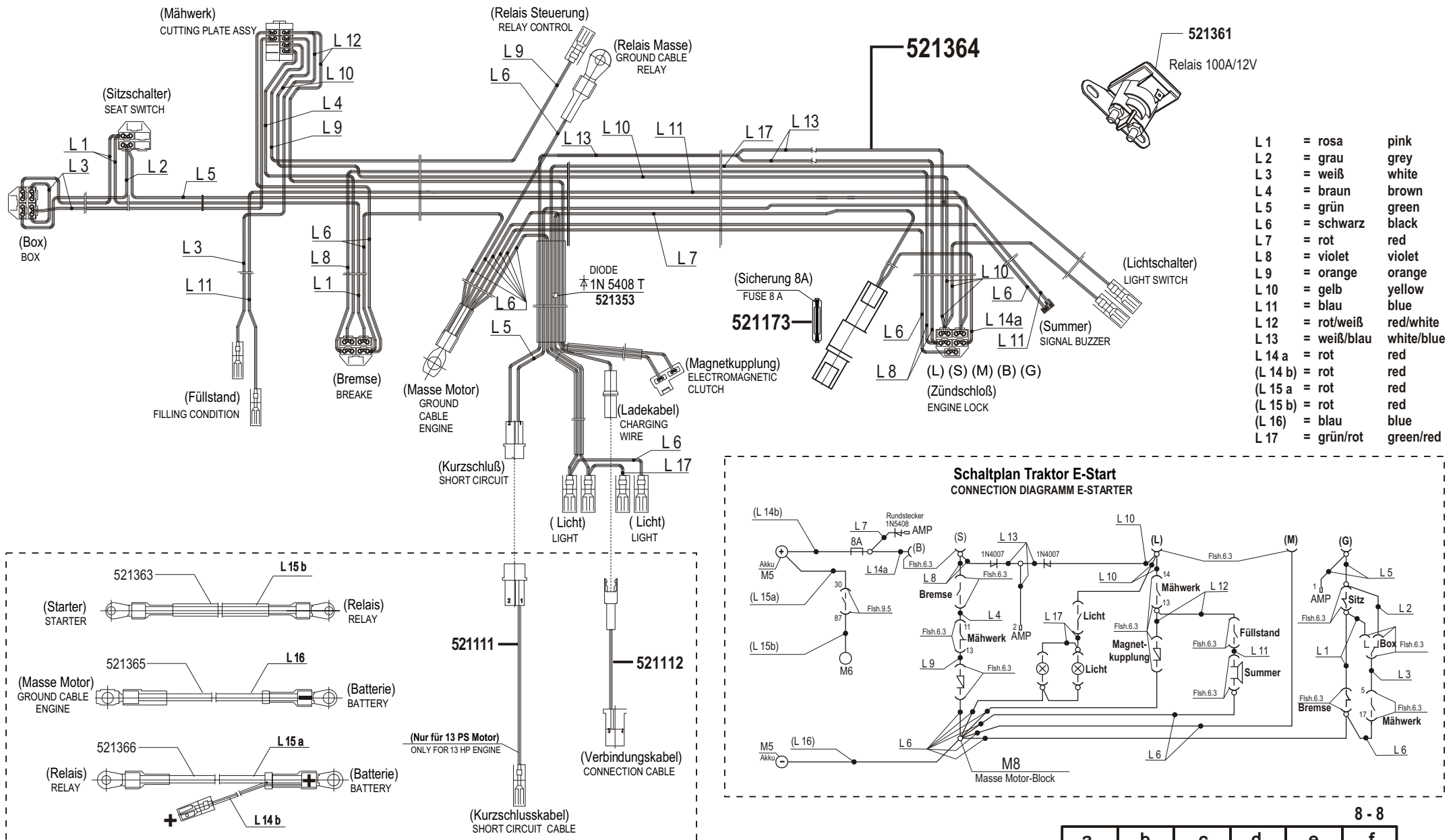
a	b	c	d	e	f
05/02	02/03				

T 13 - 102

Art.-Nr.: 118194

TWIN

2000



a	b	c	d	e	f
---	---	---	---	---	---

T 17 - 102 HD

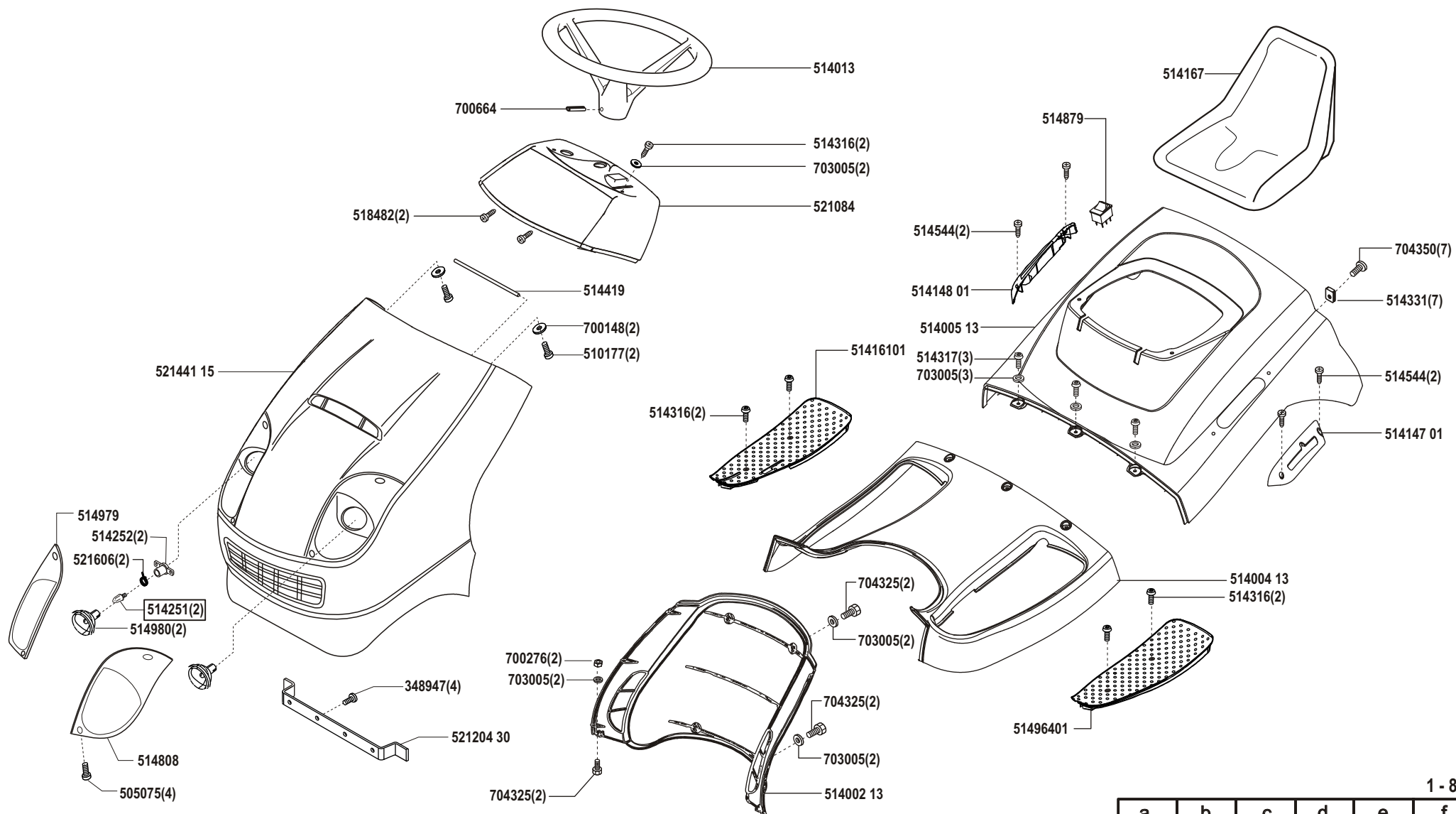
Art.-Nr.: 118195



hydrostatic

TWIN

2000



a	b	c	d	e	f
02/01	05/02				

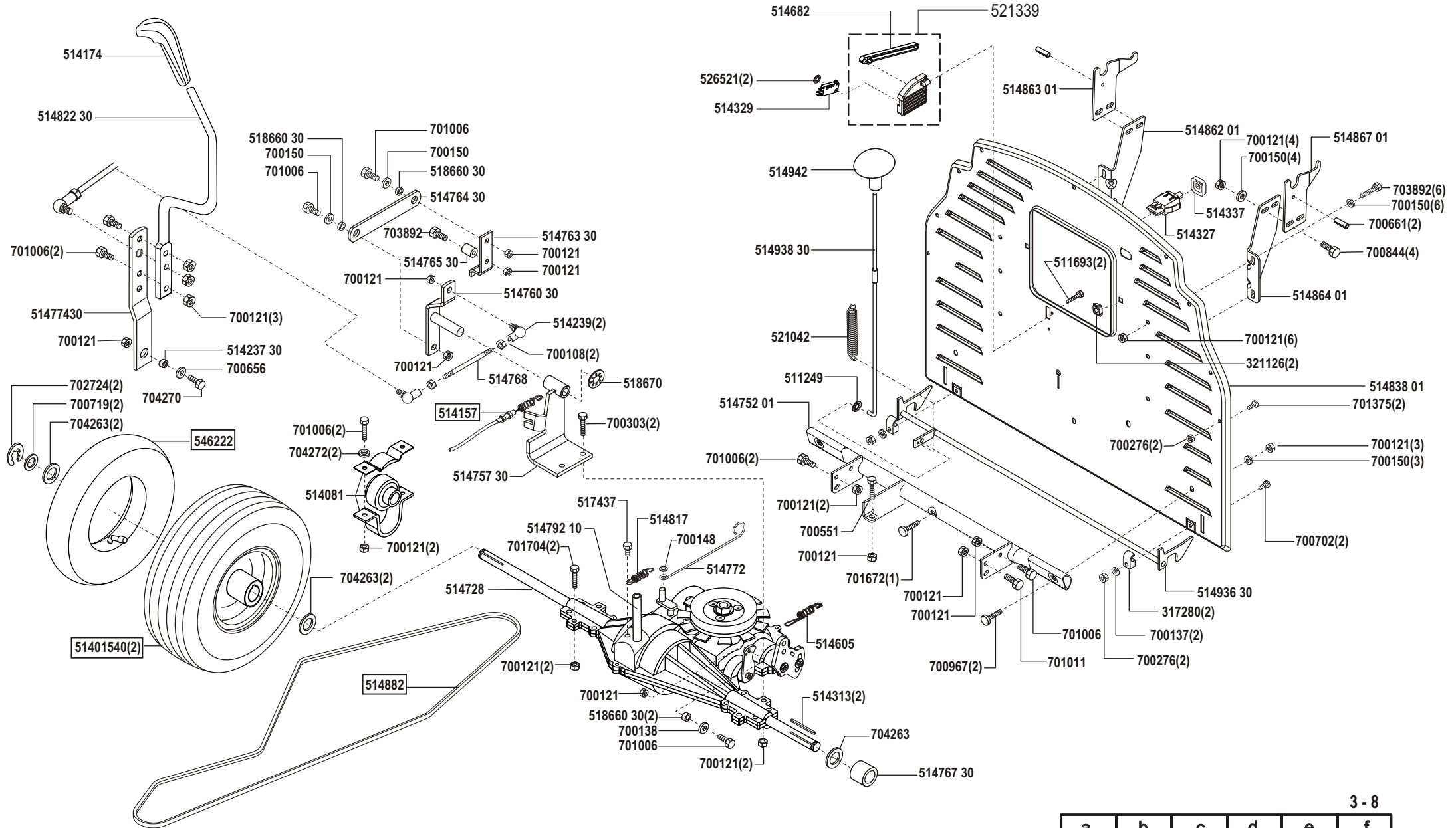
T 17 - 102 HD

Art.-Nr.: 118195

hydrostatic

TWIN

2000



a	b	c	d	e	f
05/02					

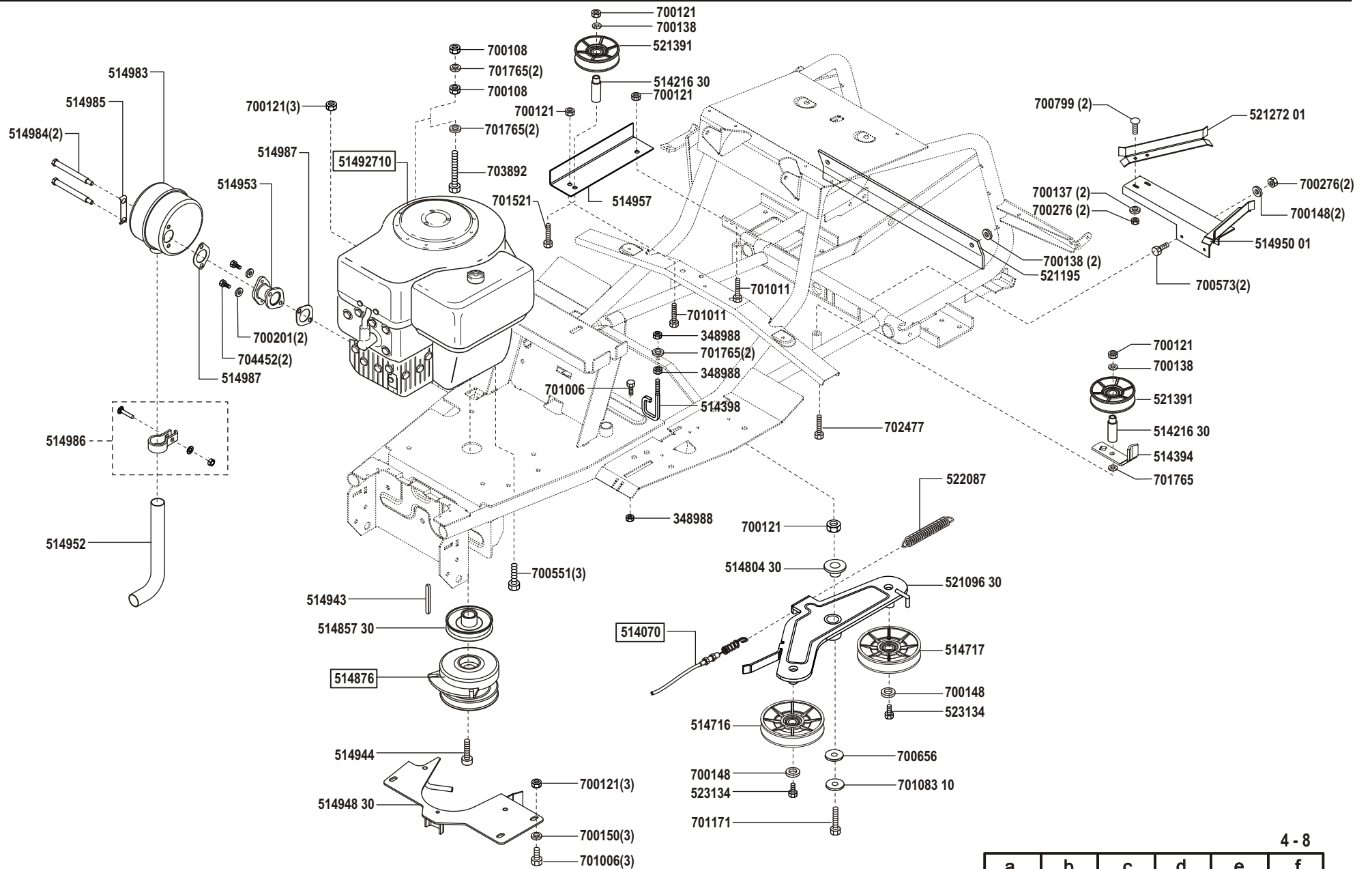
T 17 - 102 HD

Art.-Nr.: 118195

hydrostatic

TWIN

2000



a	b	c	d	e	f
05/02					

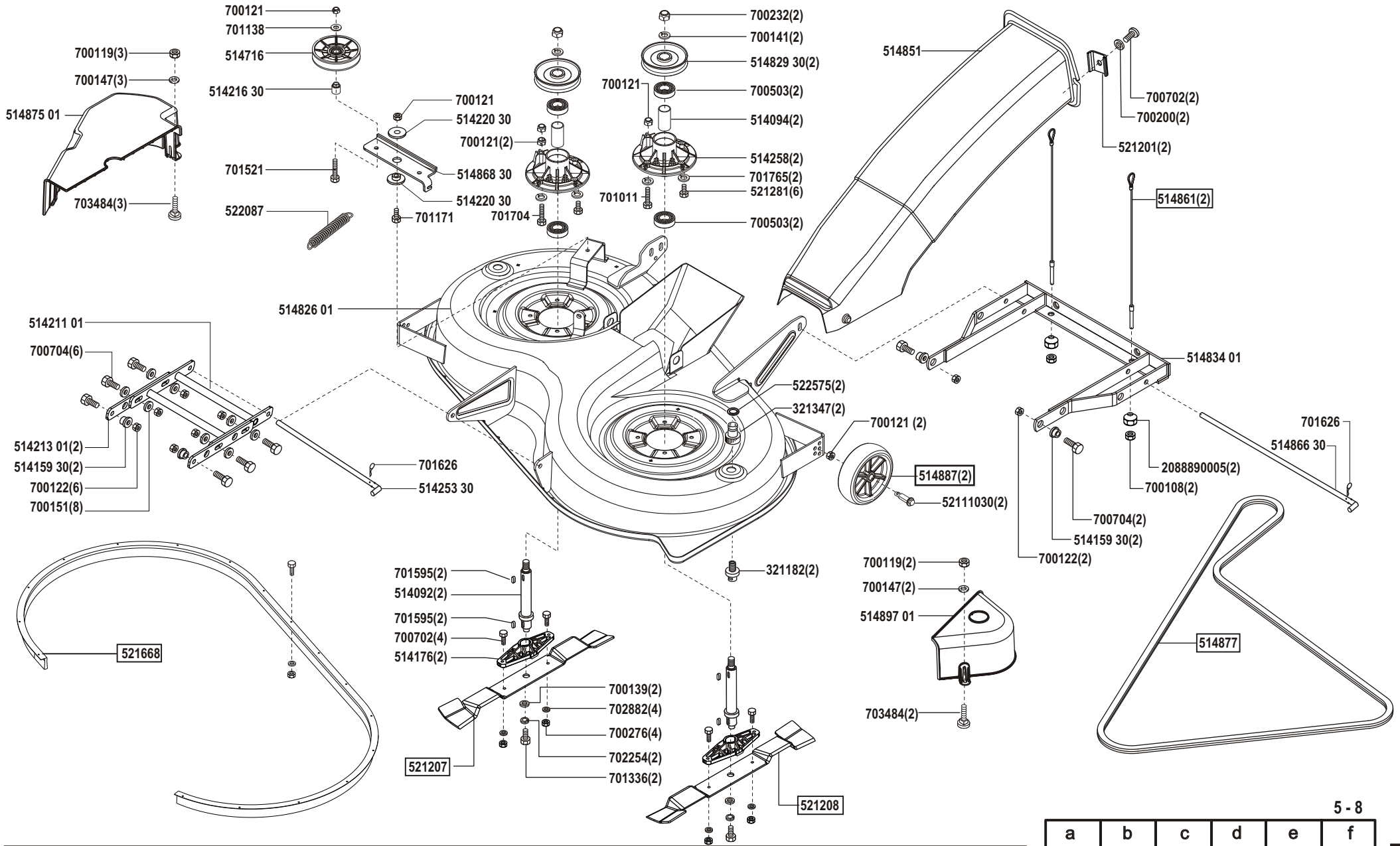
T 17 - 102 HD

Art.-Nr.: 118195

hydrostatic

TWIN

2000



a	b	c	d	e	f
05/02					

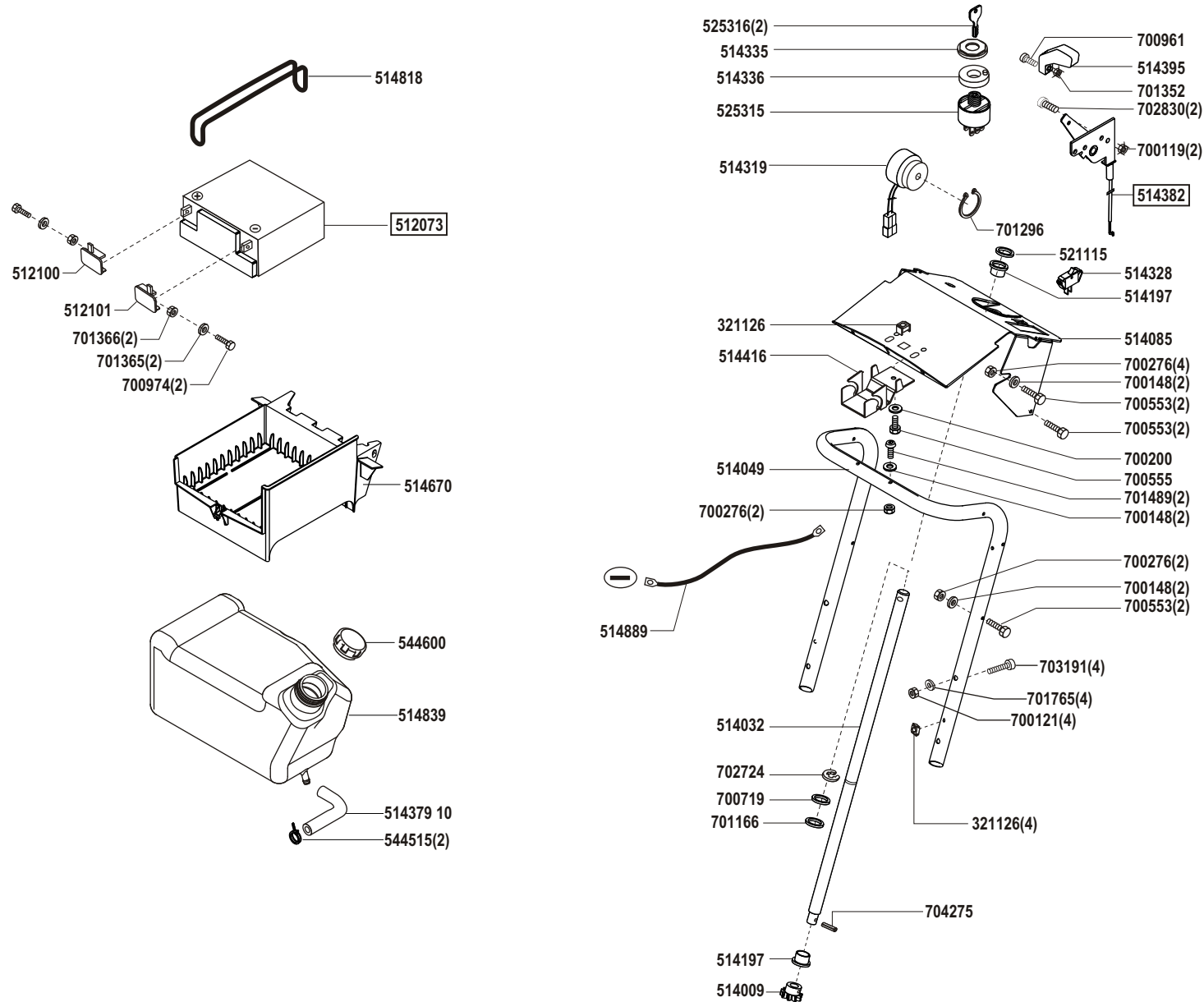
T 17 - 102 HD

Art.-Nr.: 118195

hydrostatic

TWIN

2000



6 - 8

a	b	c	d	e	f
05/02					

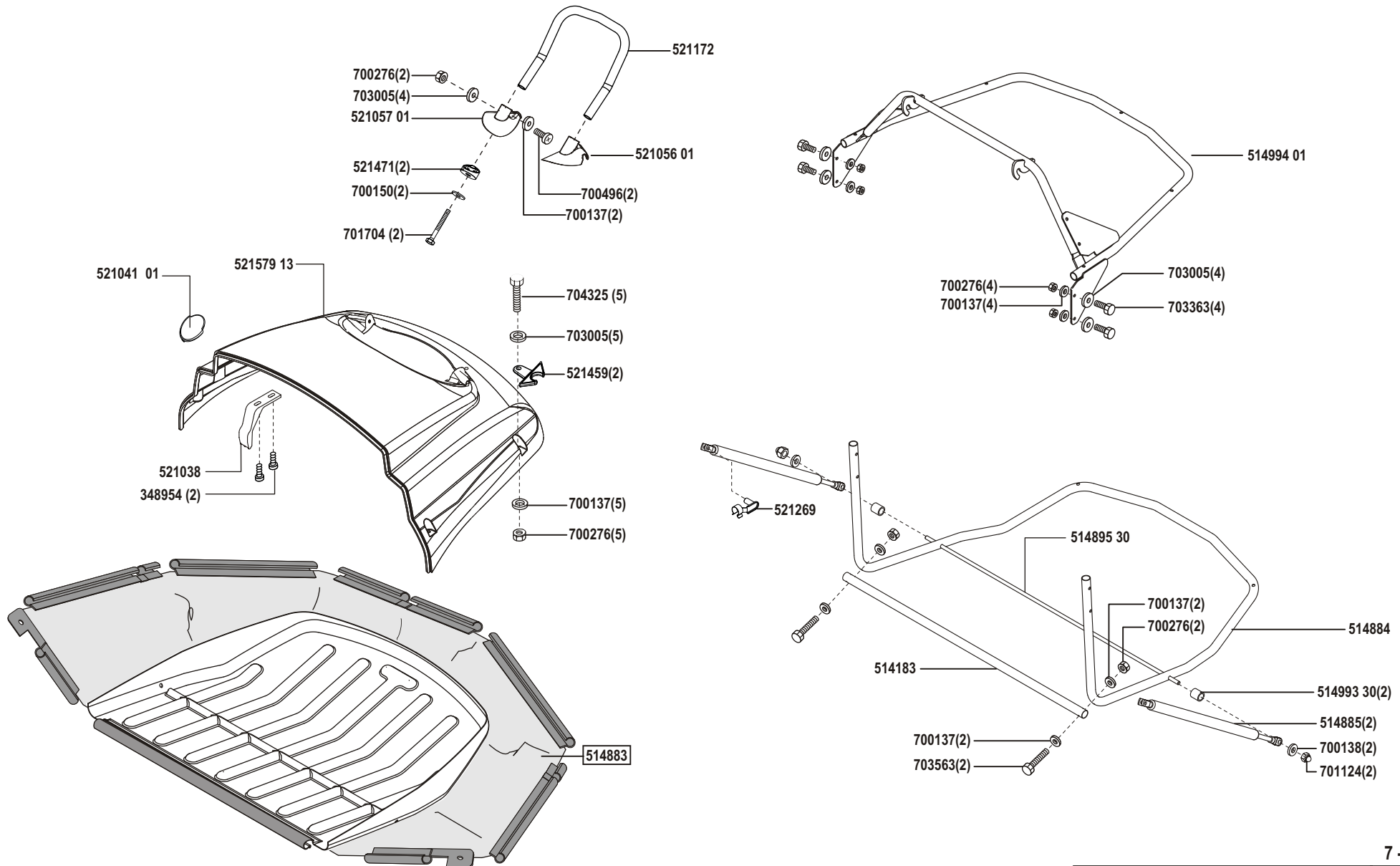
T 17 - 102 HD

Art.-Nr.: 118195

hydrostatic

TWIN

2000



a	b	c	d	e	f
05/02					

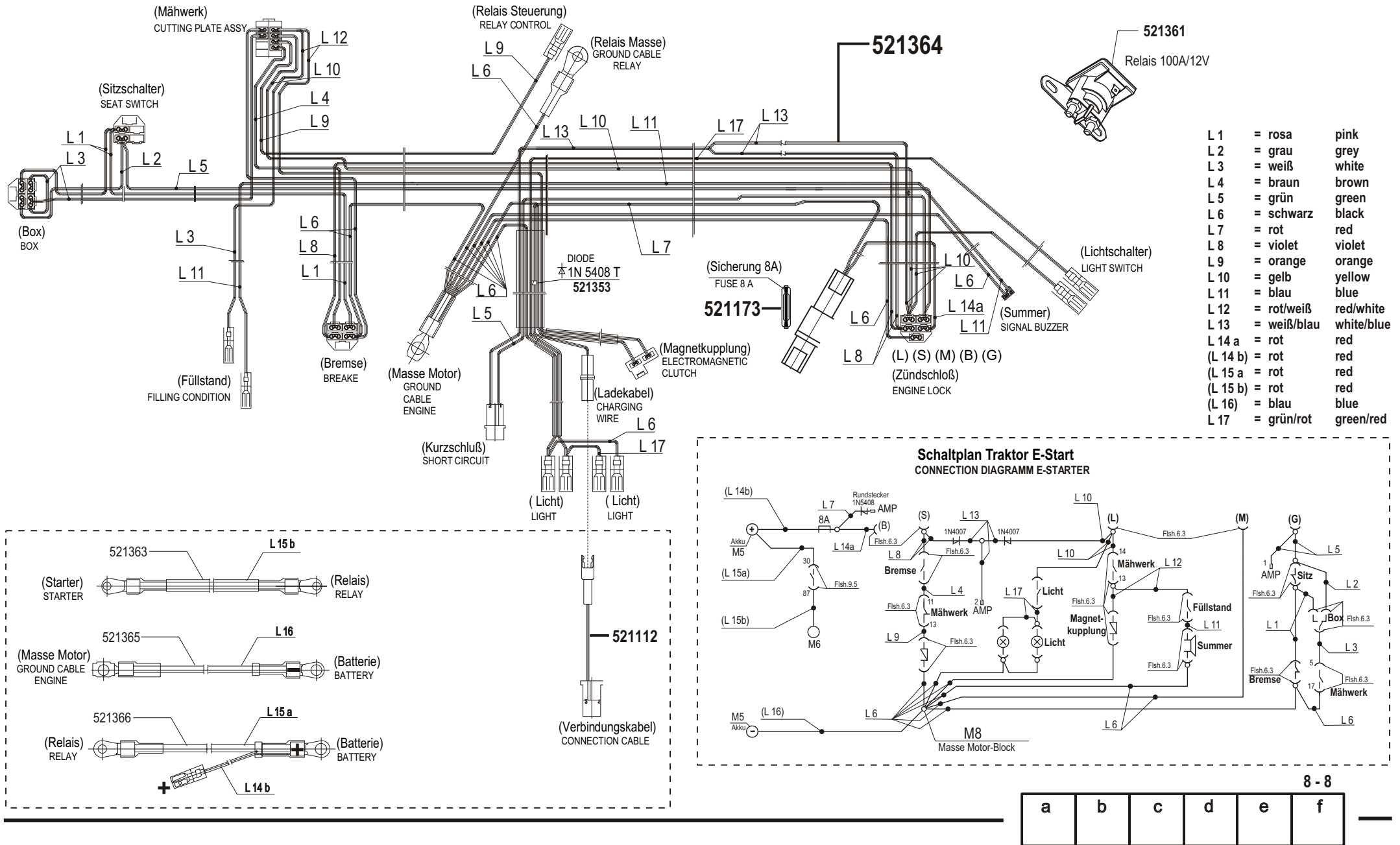
T 17 - 102 HD

Art.-Nr.: 118195

hydrostatic

TWIN

2000



- L 1 = rosa pink
- L 2 = grau grey
- L 3 = weiß white
- L 4 = braun brown
- L 5 = grün green
- L 6 = schwarz black
- L 7 = rot red
- L 8 = violett violet
- L 9 = orange orange
- L 10 = gelb yellow
- L 11 = blau blue
- L 12 = rot/weiß red/white
- L 13 = weiß/blau white/blue
- L 14 a = rot red
- L 14 b = rot red
- L 15 a = rot red
- L 15 b = rot red
- L 16 = blau blue
- L 17 = grün/rot green/red

T18-102 HD

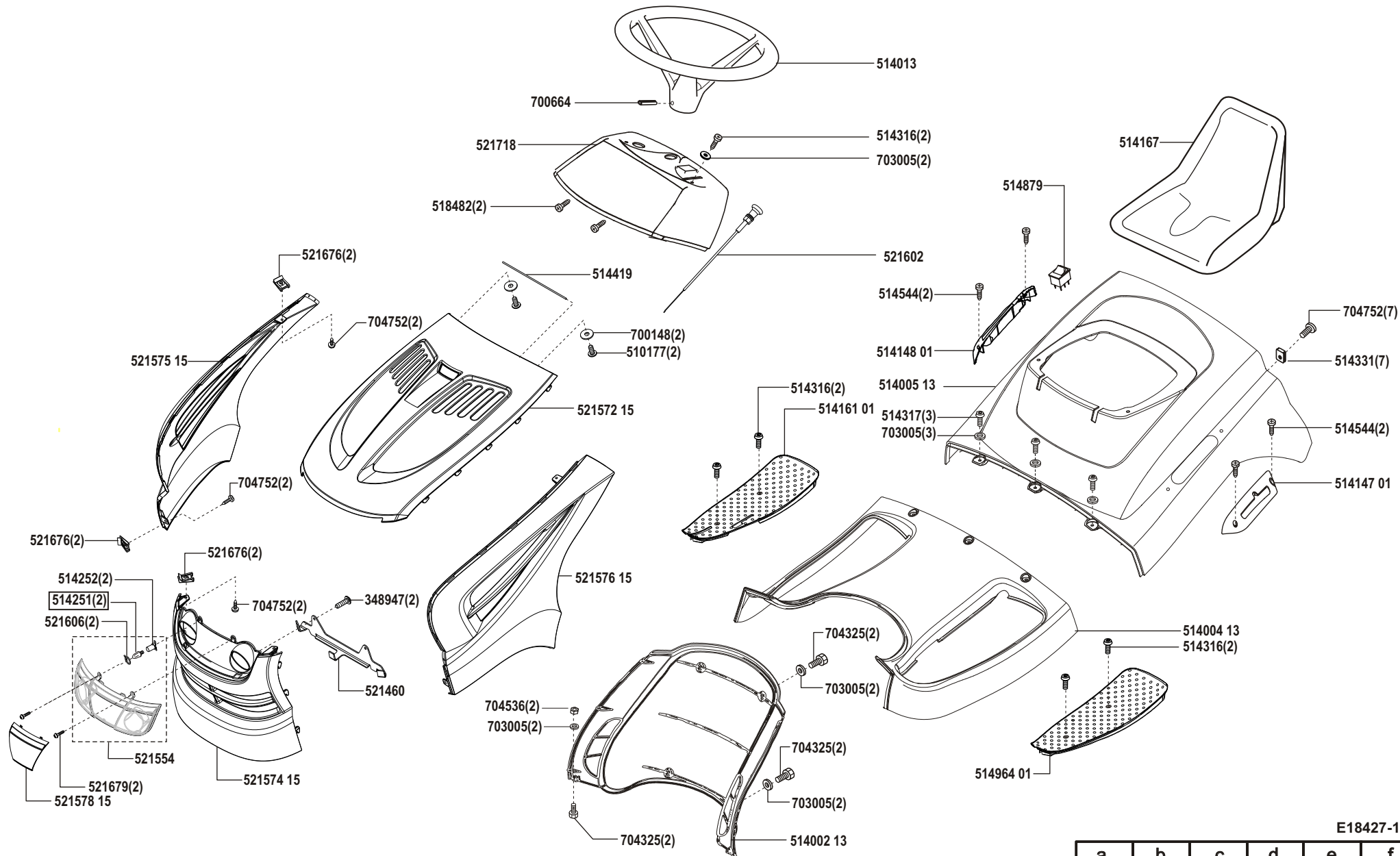


Art. Nr. 118427

HIDROSTATIC

TWIN

2000



E18427-1

a	b	c	d	e	f
03/03					

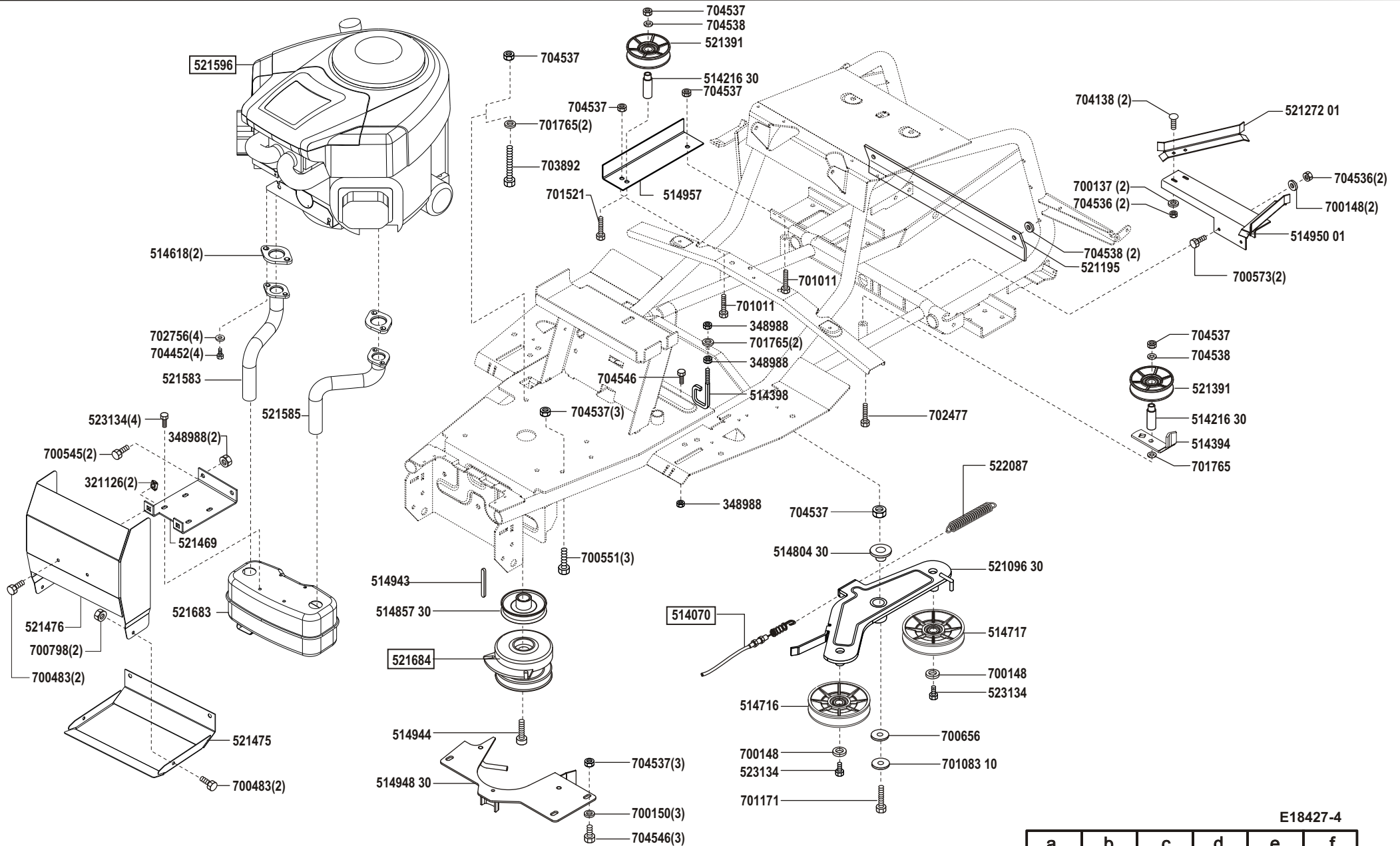
T18-102 HD

Art. Nr. 118427

HIDROSTATIC

TWIN

2000



E18427-4

a	b	c	d	e	f
---	---	---	---	---	---

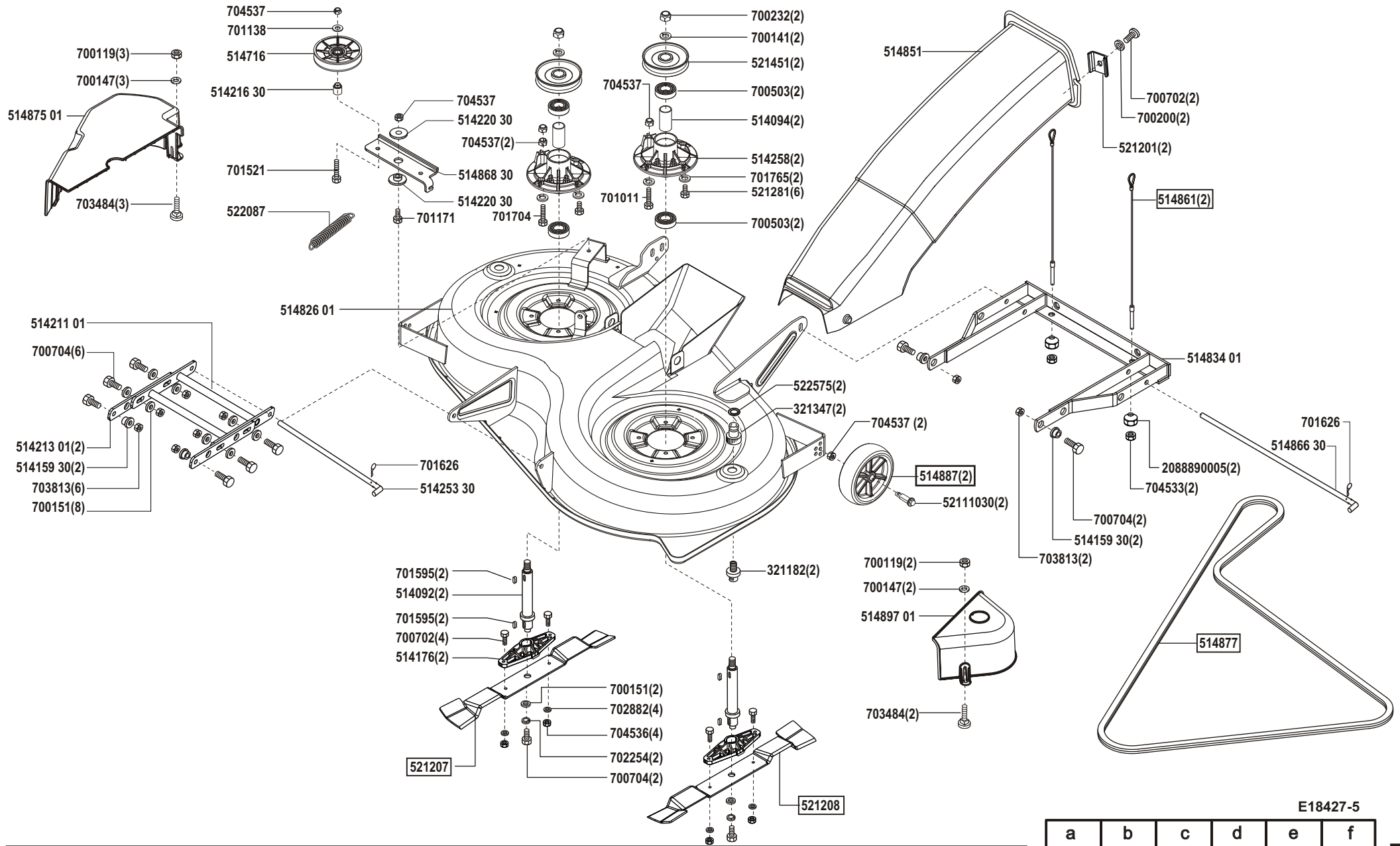
T18-102 HD

Art. Nr. 118427

HIDROSTATIC

TWIN

2000



E18427-5

a	b	c	d	e	f
---	---	---	---	---	---

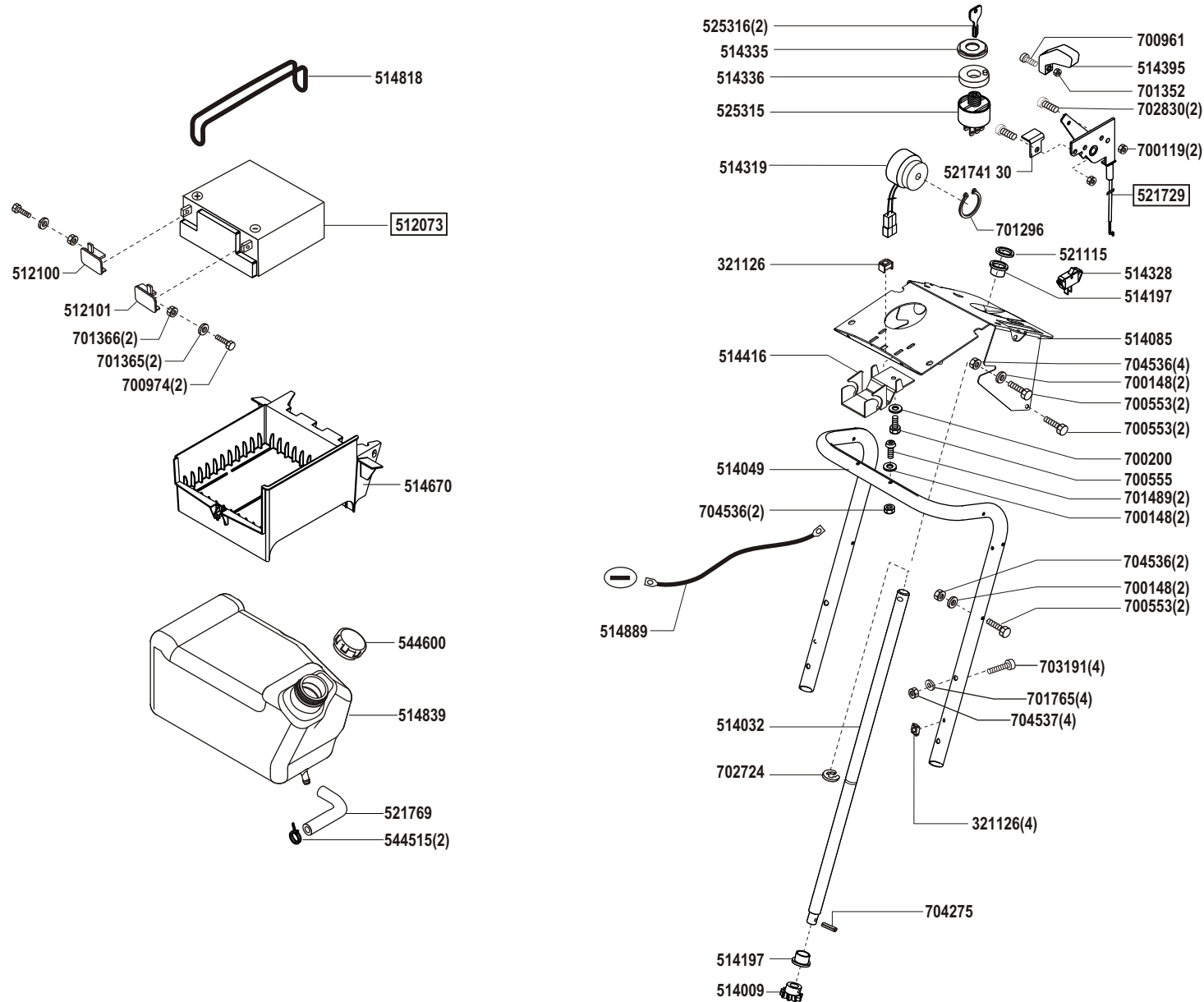
T18-102 HD

Art. Nr. 118427

HIDROSTATIC

TWIN

2000



E18427-6

a	b	c	d	e	f
---	---	---	---	---	---

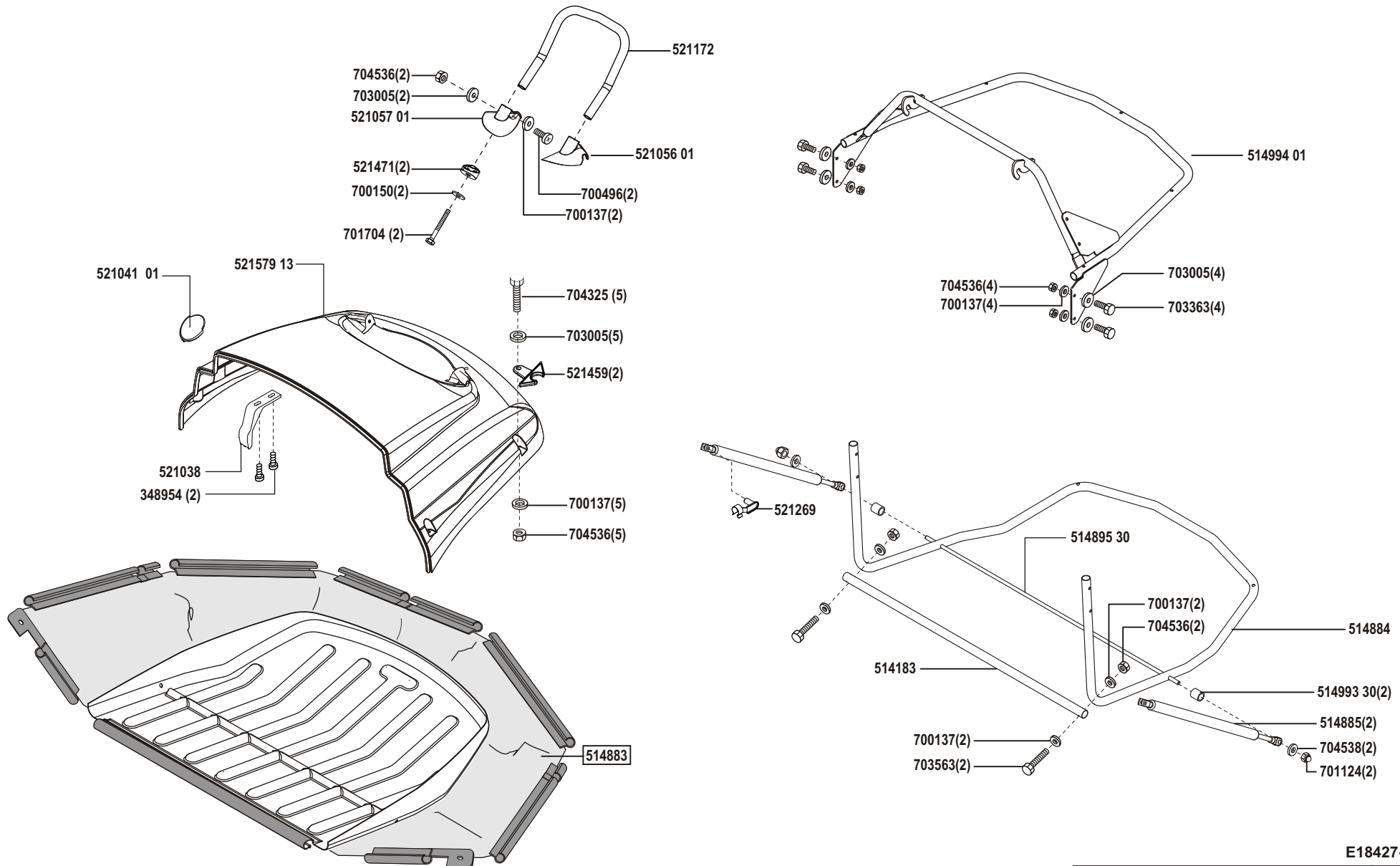
T18-102 HD

Art. Nr. 118427

HIDROSTATIC

TWIN

2000



E18427-7

a	b	c	d	e	f
---	---	---	---	---	---

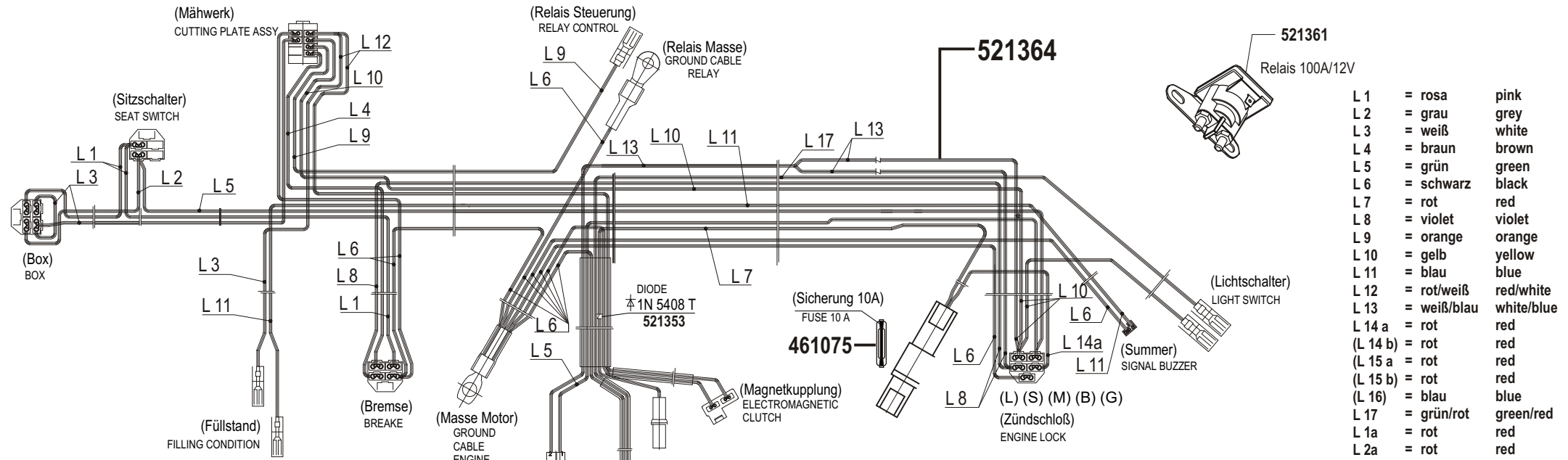
T18-102 HD

Art. Nr. 118427

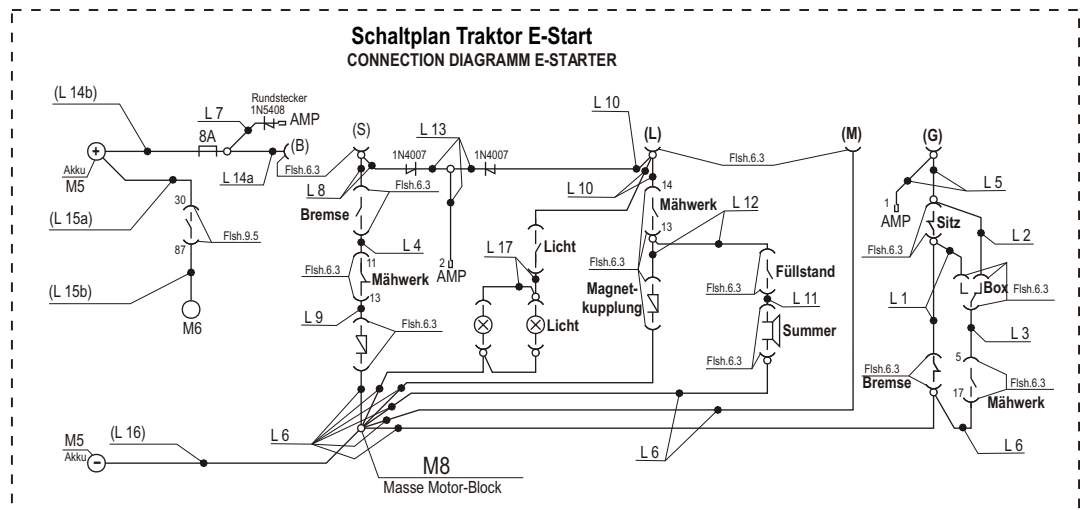
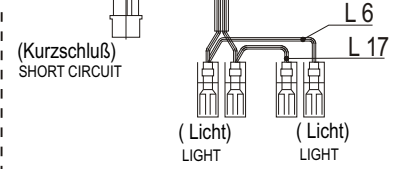
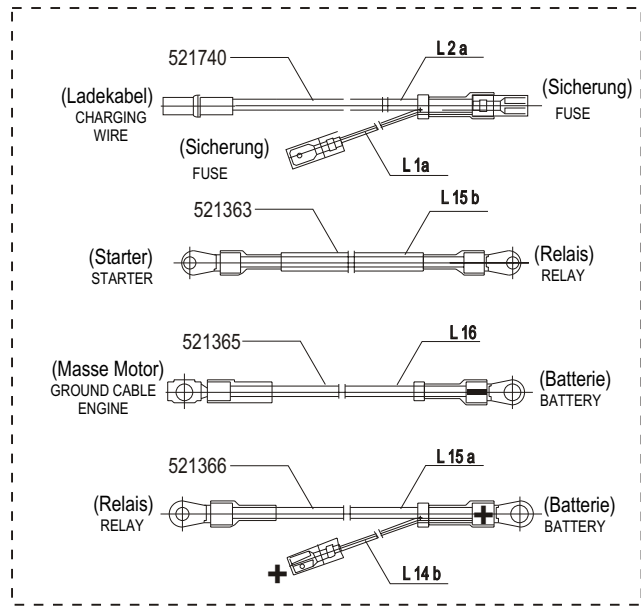
HIDROSTATIC

TWIN

2000

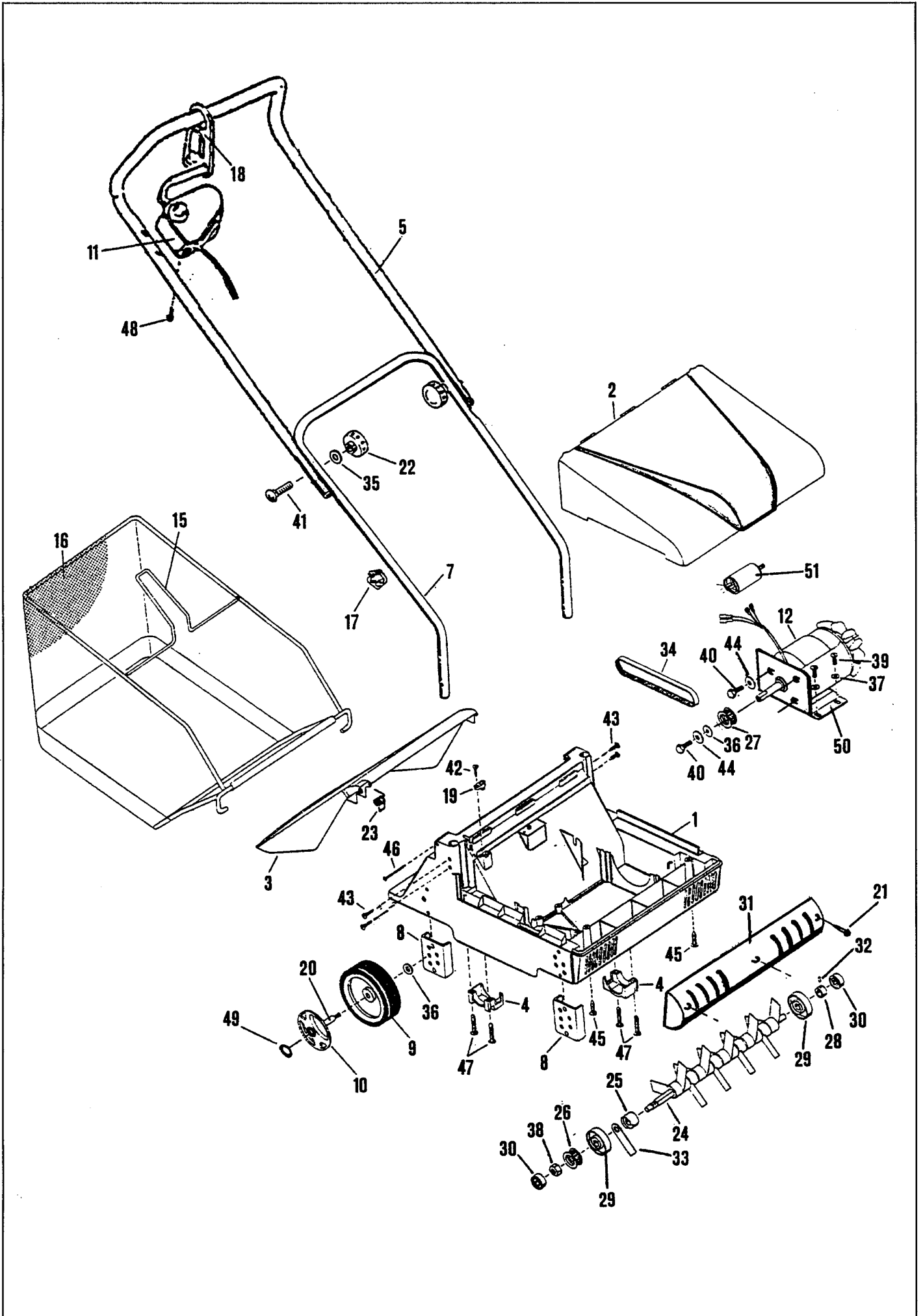


L 1	= rosa	pink
L 2	= grau	grey
L 3	= weiß	white
L 4	= braun	brown
L 5	= grün	green
L 6	= schwarz	black
L 7	= rot	red
L 8	= violett	violet
L 9	= orange	orange
L 10	= gelb	yellow
L 11	= blau	blue
L 12	= rot/weiß	red/white
L 13	= weiß/blau	white/blue
L 14 a	= rot	red
(L 14 b)	= rot	red
(L 15 a)	= rot	red
(L 15 b)	= rot	red
(L 16)	= blau	blue
L 17	= grün/rot	green/red
L 1a	= rot	red
L 2a	= rot	red



E18427-8

a	b	c	d	e	f
---	---	---	---	---	---

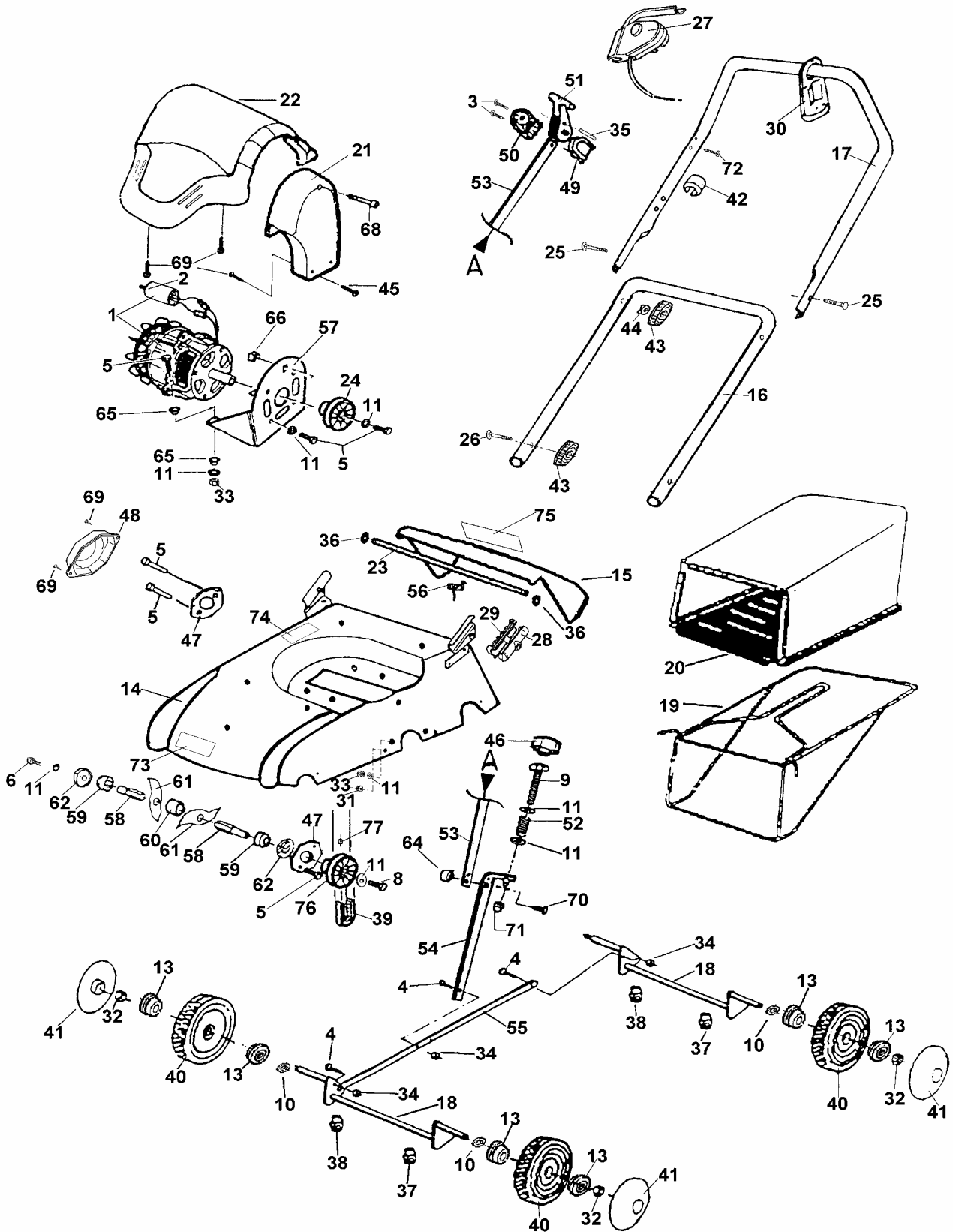


S 300 E



Fig.	Références	Désignation	Part Name	Bezeichnung	Descrizione	Descripcion	Designação	Omschrijving	S 300 E
1	73302	Chassis	Carter	Carter	Scocca	Casco	Carter	Aandrijfkap	X
2	73303	Capot	Cover	Motorhaube	Coperchio	Capo	Cobertura	Kap	X
3	73304	Volet	Deflector	Ablenkblech	Parasassi	Deflector	Deflector	Deflector	X
4	73305	Palier	Support	Trager	Supporto	Soporte	Platina	Steun	2
5	73306	Guidon	Handlebar	Lenker	Manico	Barra	Guiador	Handgreep	X
7	73308	Guidon	Handlebar	Lenker	Manico	Barra	Guiador	Handgreep	X
8	73309	Plaque	Support	Trager	Supporto	Soporte	Platina	Plaat	4
9	73310	Roue	Wheel	Rad	Ruota	Rueda	Roda	Wiel	4
10	73342	Enjoliveur	Hub cap	Radzierkappe	Copri ruota	Embellecedor	Calote	Dop	4
11	73307	Interrupteur	Interruptor	Schalter	Interruttore	Interruptor	Interrutor	Schakelaar	X
12	73301	Moteur	Engine	Motor	Motore	Motor	Motor	Motor	X
15	73311	Armature	Sack frame	Armatuur	Telaio cesto	Armadura	Armadura	Zakarmatur	X
16	73313	Sac	Bag	Sack	Tela cesto	Bolsa	Saco	Verzamelzak	X
17	73112	Collier	Clip	Klemmschelle	Ferma cavo	Abrazadera	Gancho	Kabelbinder	X
18	32030	Crochet	Clip	Klemmschelle	Ferma cavo	Abrazadera	Gancho	Kabelbinder	X
19	73335	Bloque-câble	Clip	Klemmschelle	Ferma cavo	Abrazadera	Gancho	Kabelbinder	X
20	73343	Vis/Axe	Screw	Schraube	Vite	Tornillo	Parafuso	Schroef	X
21	73347	Vis	Screw	Schraube	Vite	Tornillo	Parafuso	Schroef	3
22	43427	Bouton	Nut	Mutter	Dado	Tuerca	Porca	Moer	2
23	73314	Ressort	Spring	Feder	Molla	Muelle	Mola	Veer	1
24	73315	Arbre	Shaft	Welle	Assale	Eje	Eixo	Wielas	1
25	73316	Entretoise	Spacer	Abstandsstück	Distanziale	Distanciador	Separador	Afstandsstuk	14
26	73317	Poulie réceptrice	Pulley	Treibrad	Puleggia	Polea	Polia	Riemschijf	1
27	73318	Poulie motrice	Pulley	Treibrad	Puleggia	Polea	Polia	Riemschijf	1
28	73331	Canon	Spacer	Abstandsstück	Distanziale	Distanciador	Separador	Afstandsstuk	1
29	73332	Flasque	Disc	Flanch	Coperchio	Disco	Disco	Plaat	2
30	030.6200.2	Roulement	Bearing	Lager	Cuscinetto	Cojinete	Rolamento	Kogellager	2
31	73337	Nez	Nozzle	Nase	Copri	Embellecedor	Calotte	Dop	1
32	013.3.20	Goupille	Pin	Splint	Spina	Pasador	Pino	Pin	1
33	73319	Couteau	Blade	Messer	Zapetta	Cuchilla	Lamina	Mes	15
34	73320	Courroie	Belt	Riemen	Cinghia	Correa	Correia	Riem	1
35	46301	Rondelle	Washer	Scheibe	Rondella	Arandela	Anilha	Ring	2
36	Z08.L8N	Rondelle	Washer	Scheibe	Rondella	Arandela	Anilha	Ring	5
37	73323	Rondelle	Washer	Scheibe	Rondella	Arandela	Anilha	Ring	4
38	73325	Ecrou	Nut	Mutter	Dado	Tuerca	Parafuso	Moer	1
39	Z01.6.16	Vis	Screw	Schraube	Vite	Tornillo	Parafuso	Schroef	4
40	Z03.8.16	Vis	Screw	Schraube	Vite	Tornillo	Parafuso	Schroef	5
41	Z42.6.40	Vis	Screw	Schraube	Vite	Tornillo	Parafuso	Schroef	2
42	73326	Vis	Screw	Schraube	Vite	Tornillo	Parafuso	Schroef	1
43	Z29.48.16	Vis	Screw	Schraube	Vite	Tornillo	Parafuso	Schroef	4
44	73324	Rondelle	Washer	Scheibe	Rondella	Arandela	Anilha	Ring	1
45	73329	Vis	Screw	Schraube	Vite	Tornillo	Parafuso	Schroef	2
46	73327	Vis	Screw	Schraube	Vite	Tornillo	Parafuso	Schroef	1
47	73328	Vis	Screw	Schraube	Vite	Tornillo	Parafuso	Schroef	4
48	Z29.4.25	Vis	Screw	Schraube	Vite	Tornillo	Parafuso	Schroef	2
49	73344	Enjoliveur	Hub cap	Radzierkappe	Copri ruota	Embellecedor	Calote	Dop	4
50	73346	Equerre	Support	Trager	Supporto	Soporte	Platina	Plaat	1
51	73322	Condensateur	Condenser	Kondensator	Condensatore	Condensador	Condensador	Kondensator	1

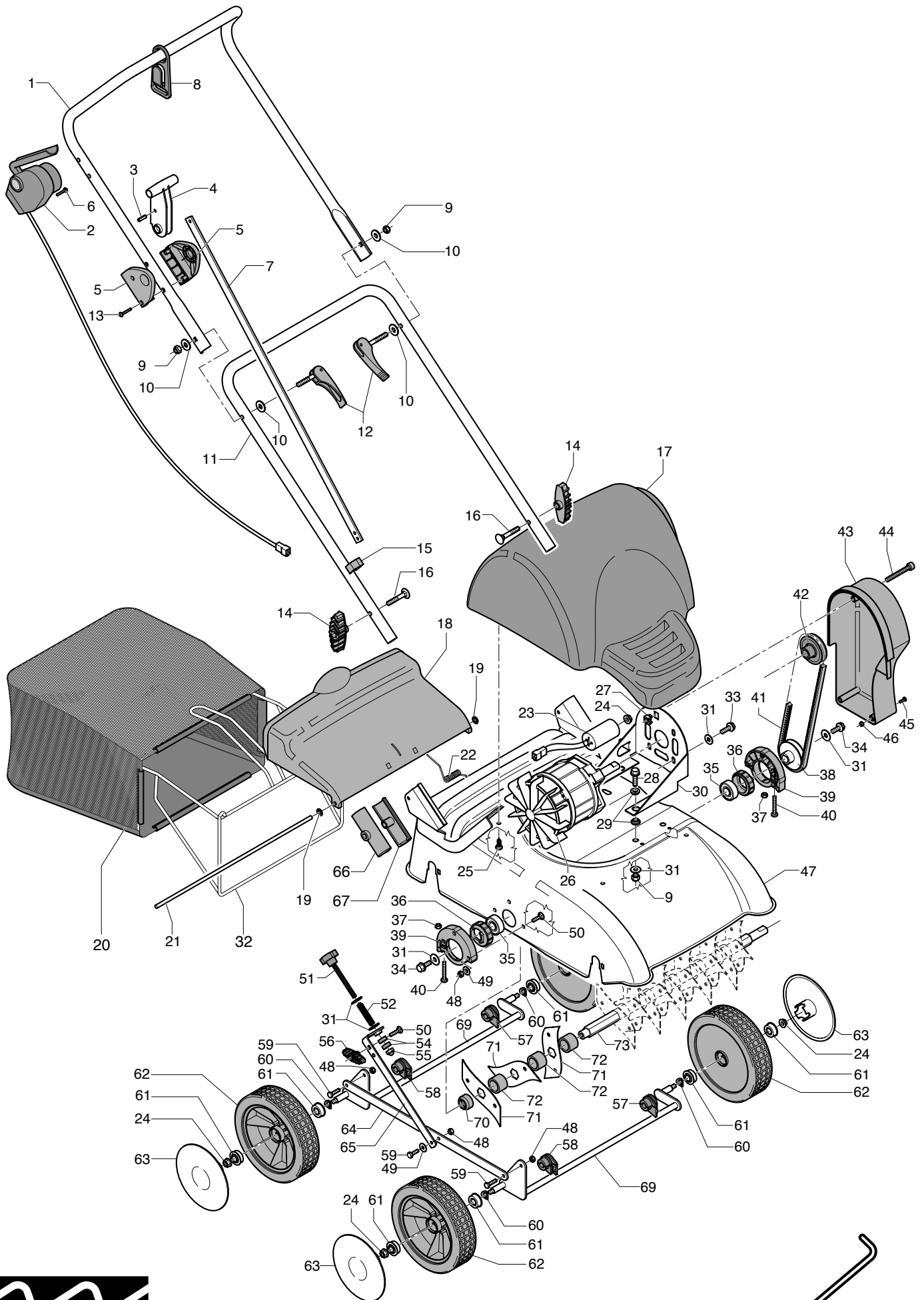
S 390 E



POS.	CODICE	I	F	D	GB	E	Q.TA'
1	CP017164	MOTORE EL. 1600 W	MOTEUR	MOTOR	ENGINE	MOTOR	1
2	CP019817	CONDENSATORE 16 MF	CONDENSATEUR	KONDENSATOR	CONDENSER	CONDENSADOR	1
3	CP024225	VITE	VIS	SCHRAUBE	SCREW	TORNILLO	2
4	CP030620	VITE TE	VIS	SCHRAUBE	SCREW	TORNILLO	3
5	CP030816	VITE TE	VIS	SCHRAUBE	SCREW	TORNILLO	13
6	CP030817	VITE	VIS	SCHRAUBE	SCREW	TORNILLO	1
8	CP030821	VITE	VIS	SCHRAUBE	SCREW	TORNILLO	1
9	CP030890	VITE TE	VIS	SCHRAUBE	SCREW	TORNILLO	1
10	CP032813	RONDELLA	RONDELLE	SCHEIBE	WASHER	ARANDELA	4
11	CP032909	RONDELLA	RONDELLE	SCHEIBE	WASHER	ARANDELA	17
13	CP038227	CUSCINETTO 12X27	ROULEMENT	KUGELLAGER	BALL BEARING	COJINETE	8
14	CP039005.02	CHASSIS ROSSO	CARTER RAL 3000	GEHÄUSE	DECK	CHASIS	1
15	CP039018	PARASASSI	DEFLECTEUR	DEFLEKTOR	REAR DOOR	DEFLECTÓR	1
16	CP039031	MANICO INF.	GUIDON	STIEL	HANDLE	MANILLAR	1
17	CP039037	MANICO SUP.	GUIDON	STIEL	HANDLE	MANILLAR	1
18	CP039050	ASSALE ANT/POST.	AXE AVANT/ARRIERE	VORDERACHSE-HINTER	FRONT-REAR AXLE	EJE ANTERIOR/POSTER	1
19	CP039076	TELAIO CESTO	ATTELAGE	GRASFANGRAHMEN	FRAME	ARMAZON SACO	1
20	CP039081.05	TELA CESTO NERA	SAC RAMASSEUR	GRASFANGSACK	GRASS BAG	SACO TELA	1
21	CP039096	COPRICINGHIA	COUVERCLE COURROIE	RIEMENSCHUTZ	BELT COVER	TAPA	1
22	CP039175	CUPOLINA SUP. NERA	CALOTTE	VERKLEIDUNG	COVER	CARCASA	1
23	CP039201	ASTINA	AXE PIVOT	STANGE	HINGE PIN	EJE DEFLECTÓR	1
24	CP039264	PULEGGIA MOTORE 22	POULIE	RIEMENSCHLEIBE	PULLEY	POLEA	2
25	CP040850	VITE TTQST	VIS	SCHRAUBE	SCREW	TORNILLO	2
26	CP040860	VITE TTQST	VIS	SCHRAUBE	SCREW	TORNILLO	2
27	CP039184	INTERRUPTORE L=1400	INTERRUPTEUR	SCHALTER D-I-F-A-B-NL	SWITCH	INTERRUPTOR	1
28	CP042212F	ISOLATORE 1/2 FEMMIN	DEMI ISOLATEUR	HALF ISOLATOR	HALF INSULATOR	MITAD AISLADOR	2
29	CP042212M	ISOLATORE 1/2 MASCHI	DEMI ISOLATEUR	HALF ISOLATOR	HALF INSULATOR	MITAD AISLADOR	2
30	CP042222	SUPPORTO CAVO	PORTE CABLE	KABELHALTER	CABLE SUPPORT	FIJADOR CABLE	1
31	CP042804	DADO	ÉCROU	MUTTER	KNOB	ESPARRAGO	2
32	CP042808	DADO	ÉCROU	MUTTER	KNOB	ESPARRAGO	4
33	CP044708	DADO	ÉCROU	MUTTER	KNOB	ESPARRAGO	8
34	CP044906	DADO	ÉCROU	MUTTER	KNOB	ESPARRAGO	3
35	CP045631	SPINA ELASTICA	GOUPILLE	DORN	PIN	PASADOR	1
36	CP046607	RITEGNO	CLIP	RÜCKHALT	RETAINER	ANILLO CLIP	2
37	CP047212	SUPPORTO ASSALE	SUPPORT	ACHSELAGER	SUPPORT	SOPORTE	2
38	CP047213	SUPPORTO ASSALE	SUPPORT	ACHSELAGER	SUPPORT	SOPORTE	2
39	CP047821	CINGHIA Z 21 1/2	COURROIE	RIEMEN	BELT	CORREA	1
39A	CP047822	CINGHIA Z 21 3/4	COURROIE	RIEMEN	BELT	CORREA	1
40	CP050110	RUOTA 200	ROUE	RAD	WHEEL	RUEDA	4
41	CP050130	COPRIRUOTA 200	CACHE MOYEU	RADDECKUNG	HUB CAP	TAPA RUEDA	4
42	CP050222	FERMACAVO	ATTACHE CABLE	KABELBESCHWERER	CLIP	FIJADOR CABLE	1
43	CP050228	POMOLO MANICO	ÉCROU	GRIFF	KNOB HANDLE	POMO MANILLAR	4
44	CP050230	RONDELLA	RONDELLE	SCHEIBE	WASHER	ARANDELA	2
45	CP060412	VITE	VIS	SCHRAUBE	SCREW	TORNILLO	2
46	PL033868	POMOLO M8	ÉCROU	GRIFF	KNOB	POMO	1
47	CP039252	FLANGIA I=84	BRIDE	FLANSCH	FLANGE	SOPORTE	2
48	PL072483	COPERCHIO SUPPORTO	CACHE PALIER	HAUBE	COVER	TAPA	1
49	PL072487	PIASTRINA SINISTRA	PLATINE G.	TRAGER	SOPPORT	SOPORTE	1
50	PL072488	PIASTRINA DESTRA	PLATINE D.	TRAGER	SOPPORT	SOPORTE	1
51	PL072489	LEVA ALZO	LEVIER	STANGE	LEVER	LEVA	1
52	PL073170	MOLLA	RESSORT	FEDER	SPRING	MUELLE	1
53	PL073815	BARRA	BARRE	GESTÄNGE	LINK	TIRANTE	1
54	PL073811	BARRA	BARRE	GESTÄNGE	LINK	TIRANTE	1
55	PL073819	TIRANTE ASSALE	BARRE	GESTÄNGE	LINK ROD	TIRANTE EJE	1
56	PL073823	MOLLA PARASASSI	RESSORT	FEDER	SPRING	MUELLE	1
57	PL073829	SUPPORTO MOTORE	EQUERRE	TRAGER	SUPPORT	SOPORTE MOTOR	1
58	PL073834	ALBERO LAME D.17,2	ARBRE	ACHSE	SHAFT	EJE	1
58A	CP039260	ALBERO LAME D.20	ARBRE	ACHSE	SHAFT	EJE	1
59	PL073836	DISTANZIALE	ENTRETOISE	ABSTANDSSTÜCK	SPACER	DISTANCIADOR	2
60	PL073837	DISTANZIALE	ENTRETOISE	ABSTANDSSTÜCK	SPACER	DISTANCIADOR	15
61	PL073838	LAMA	LAME	MESSER	BLADE	CUCHILLA	16
62	PL073841	CUSCINETTO	ROULEMENT	KUGELLAGER	BALL BEARING	COJINETE	2
64	PL073843	GALLETTO M6	ÉCROU	MUTTER	KNOB	ESPARRAGO	1
65	PL073849	RONDELLA ISOLANTE	RONDELLE	SCHEIBE	WASHER	ARANDELA	8
66	PL073853	DADO	ÉCROU	MUTTER	KNOB	ESPARRAGO	1
68	PL075077	VITE TCCE 8X70 NYLON	VIS	SCHRAUBE	SCREW	TORNILLO	1
69	PLZ29-4-16	VITE	VIS	SCHRAUBE	SCREW	TORNILLO	5
70	PLZ42-6-16	VITE	VIS	SCHRAUBE	SCREW	TORNILLO	1
71	CP044808	DADO	ÉCROU	MUTTER	KNOB	ESPARRAGO	1
72	CP023925	VITE AUTOF.	VIS	SCHRAUBE	SCREW	TORNILLO	2
73	CP053790	DECALCO S390 E	DECALQUE	ETIKETTE	DECAL	CARTEL	1
74	CP053813	DECALCO	DECALQUE	ETIKETTE	DECAL	CARTEL	1
75	CP053714	DECALCO	DECALQUE	ETIKETTE	DECAL	CARTEL	1
76	CP039261	PULEGGIA D. 60X17,2	POULIE	RIEMENSCHLEIBE	PULLEY	POLEA	1
76A	CP039263	PULEGGIA D. 63X20	POULIE	RIEMENSCHLEIBE	PULLEY	POLEA	1
77	CP045608	GRANO	VIS	SCHRAUBE	SCREW	TORNILLO	1
77A	CP045632	SPINA ELASTICA	GOUPILLE	DORN	PIN	PASADOR	1

ATTENTION: POS. 39 - 58 - 76 - 77 ARE VALID FOR MACHINES BUILT IN 2003 - POS. 39A - 58A - 76A - 77A ARE VALID FOR MACHINES BUILT IN 2004.

S 390 E

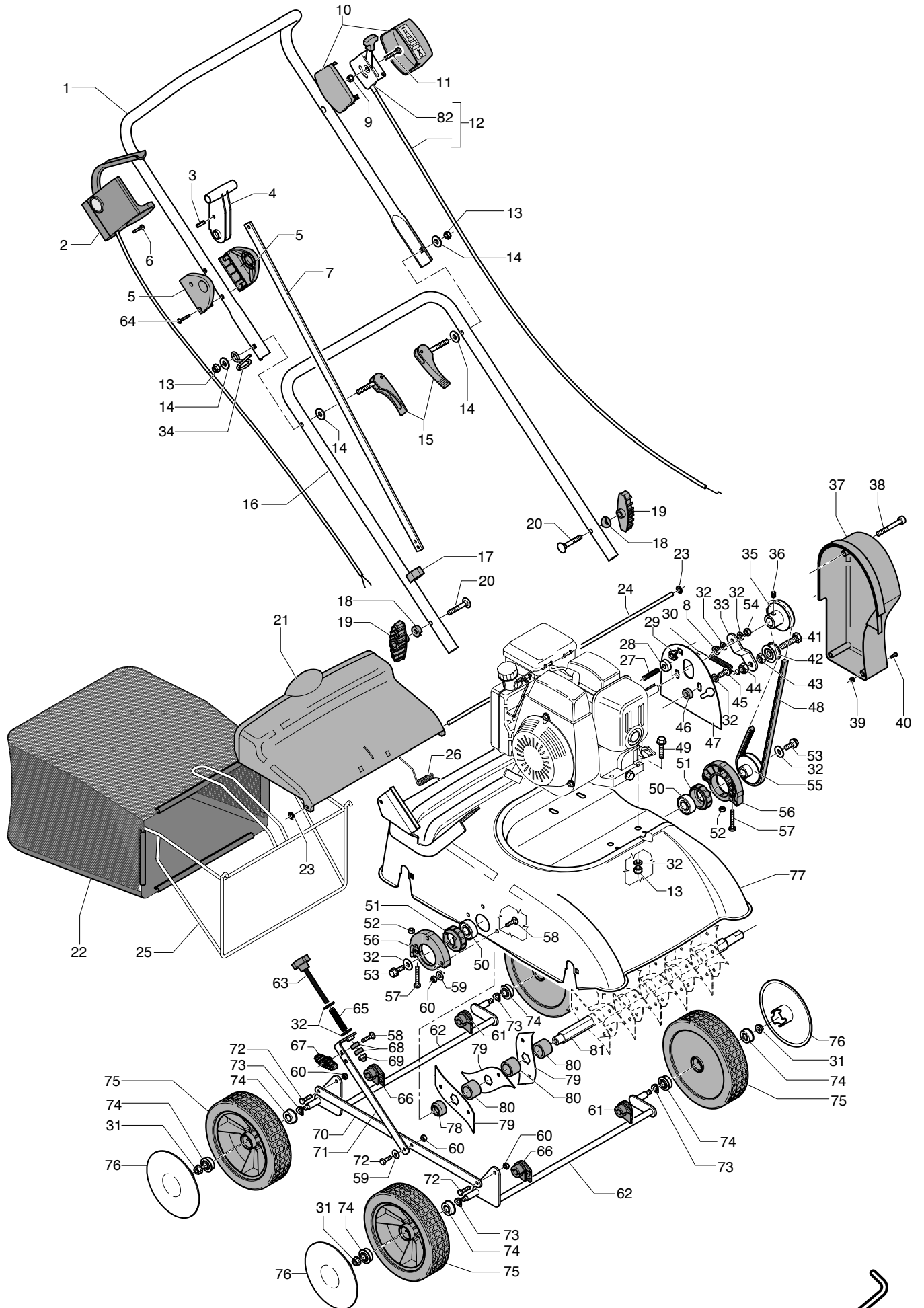


RICAMBI ORIGINALI

POS.	CODICE	I	F	D	GB	E	Q.TA'
1	CP039037	MANICO SUP.	GUIDON	STIEL	HANDLE	MANILLAR	1
2	CP039184	INTERRUTTORE L=1400	INTERRUPTEUR	SCHALTER D-I-F-A-B-NL-E	SWITCH	INTERRUPTOR	1
3	CP045620	SPINA	GOUPILLE	DORN	PIN	PASADOR	1
4	CP039224	LEVA ALZO	LEVIER	STANGE	LEVER	LEVA	1
5	CP039225	SUPPORTO	PLATINE	TRAGER	SOPPORT	SOPORTE	2
6	CP023925	VITE AUTOF.	VIS	SCHRAUBE	SCREW	TORNILLO	2
7	CP039064	TIRANTE X LEVA	BARRE	GESTÄNGE	LINK	TIRANTE	1
8	CP042222	SUPPORTO CAVO	PORTE CABLE	KABELHALTER	CABLE SUPPORT	FIJADOR CABLE	1
9	CP044708	DADO	ÉCROU	MUTTER	KNOB	ESPARRAGO	6
10	CP032924	RONDELLA	RONDELLE	SCHIBE	WASHER	ARANDELA	4
11	CP039031	MANICO INF.	GUIDON	STIEL	HANDLE	MANILLAR	1
12	CP047222	LEVA COMPLETA CORTA	LEVIER	STANGE	LEVER	LEVA	2
13	CP024225	VITE	VIS	SCHRAUBE	SCREW	TORNILLO	4
14	CP050228	POMOLO MANICO	ÉCROU	GRIFF	KNOB HANDLE	POMO MANILLAR	2
15	CP050222	FERMACAVO	ATTACHE CABLE	KABELBESCHWERER	CLIP	FIJADOR CABLE	1
16	CP040860	VITE TTQST	VIS	SCHRAUBE	SCREW	TORNILLO	2
17	CP039175	CUPOLINA SUP. NERA	CALOTTE	VERKLEIDUNG	COVER	CARCASA	1
18	CP039018	PARASASSI	DEFLECTEUR	DEFLEKTOR	REAR DOOR	DEFLECTÓR	1
19	CP046607	RITEGNO	CLIP	RÜCKHALT	RETAINER	ANILLO CLIP	2
20	CP039081.05	TELA CESTO NERA	SAC RAMASSEUR	GRASFANGSACK	GRASS BAG	SACO TELA	1
21	CP039201	ASTINA	AXE PIVOT	STANGE	HINGE PIN	EJE DEFLECTÓR	1
22	CP039193	MOLLA	RESSORT	FEDER	SPRING	MUELLE	1
23	CP019817	CONDENSATORE 16 MF	CONDENSATEUR	KONDENSATOR	CONDENSER	CONDENSADOR	1
24	CP042808	DADO	ÉCROU	MUTTER	KNOB	ESPARRAGO	5
25	CP024815	VITE AUTOF.	VIS	SCHRAUBE	SCREW	TORNILLO	4
26	CP017164	MOTORE EL. 1700 W	MOTEUR	MOTOR	ENGINE	MOTOR	1
27	CP045808	DADO IN GABBIA	ÉCROU	MUTTER	KNOB	ESPARRAGO	1
28	CP030825	VITE TE	VIS	SCHRAUBE	SCREW	TORNILLO	4
29	CP039230	DISTANZIALE	ENTRETOISE	ABSTANDSSTÜCK	SPACER	DISTANCIADOR	8
30	CP039254	SUPPORTO MOTORE	ÉQUERRE	TRAGER	SUPPORT	SOPORTE MOTOR	1
31	CP032909	RONDELLA	RONDELLE	SCHIBE	WASHER	ARANDELA	12
32	CP039076	TELAIO CESTO	ATTELAGE	GRASFANGRAHMEN	FRAME	ARMAZON SACO	1
33	CP030816	VITE TE	VIS	SCHRAUBE	SCREW	TORNILLO	4
34	CP030821	VITE	VIS	SCHRAUBE	SCREW	TORNILLO	2
35	CP038040	CUSCINETTO	ROULEMENT	KUGELLAGER	BALL BEARING	COJINETE	2
36	CP039213	CAMMA	PLATINE	TRAGER	SOPPORT	SOPORTE	2
37	CP042706	DADO	ÉCROU	MUTTER	KNOB	ESPARRAGO	2
38	CP039259	PULEGGIA ALBERO	POULIE	RIEMENSCHIBE	PULLEY	POLEA	1
39	CP039212	SUPPORTO	PLATINE	TRAGER	SOPPORT	SOPORTE	2
40	CP060645	VITE TC	VIS	SCHRAUBE	SCREW	TORNILLO	2
41	CP047822	CINGHIA SPZ 587	COURROIE	RIEMEN	BELT	CORREA	1
42	CP039264	PULEGGIA MOTORE 22	POULIE	RIEMENSCHIBE	PULLEY	POLEA	1
43	CP039096	COPRICINGHIA	COUVERCLE COURROIE	RIEMENSCHUTZ	BELT COVER	TAPA	1
44	CP039871	VITE NYLON	VIS	SCHRAUBE	SCREW	TORNILLO	1
45	CP060412	VITE	VIS	SCHRAUBE	SCREW	TORNILLO	2
46	CP042804	DADO	ÉCROU	MUTTER	KNOB	ESPARRAGO	2
47	CP039005.02	CHASSIS ROSSO	CARTER RAL 3000	GEHÄUSE	DECK	CHASIS	1
48	CP044906	DADO	ÉCROU	MUTTER	KNOB	ESPARRAGO	9
49	CP032907	RONDELLA	RONDELLE	SCHIBE	WASHER	ARANDELA	7
50	CP040625	VITE	VIS	SCHRAUBE	SCREW	TORNILLO	7
51	CP039223	POMOLO ALZO	VIS	SCHRAUBE	SCREW	TORNILLO	1
52	CP039192	MOLLA	RESSORT	FEDER	SPRING	MUELLE	1
54	CP050233	RONDELLA	RONDELLE	SCHIBE	WASHER	ARANDELA	2
55	CP044808	DADO	ÉCROU	MUTTER	KNOB	ESPARRAGO	1
56	CP032228	POMOLO MANICO	ÉCROU	GRIFF	KNOB HANDLE	POMO MANILLAR	1
57	CP047212	SUPPORTO ASSALE	SUPPORT	ACHSELAGER	SUPPORT	SOPORTE	2
58	CP047213	SUPPORTO ASSALE	SUPPORT	ACHSELAGER	SUPPORT	SOPORTE	2
59	CP030620	VITE TE	VIS	SCHRAUBE	SCREW	TORNILLO	3
60	CP032813	RONDELLA	RONDELLE	SCHIBE	WASHER	ARANDELA	4
61	CP038227	CUSCINETTO 12X27	ROULEMENT	KUGELLAGER	BALL BEARING	COJINETE	8
62	CP050110	RUOTA 200	ROUE	RAD	WHEEL	RUEDA	4
63	CP050132	COPRIRUOTA 200-230	CACHE MOYEU	RADDECKUNG	HUB CAP	TAPA RUEDA	4
64	CP039066	TIRANTE ASSALE	BARRE	GESTÄNGE	LINK	TIRANTE	1
65	CP039065	TIRANTE A L	BARRE	GESTÄNGE	LINK	TIRANTE	1
66	CP042212F	ISOLATORE 1/2 FEMMINA	DEMI ISOLATEUR	HALF ISOLATOR	HALF INSULATOR	MITAD AISLADOR	2
67	CP042212M	ISOLATORE 1/2 MASCHIO	DEMI ISOLATEUR	HALF ISOLATOR	HALF INSULATOR	MITAD AISLADOR	2
69	CP039051	ASSALE ANT/POST.	AXE AVANT/ARRIERE	VORDERACHSE-HINTERACHSE	FRONT-REAR AXLE	EJE ANTERIOR/POSTERIOR	2
70	CP039215	DISTANZIALE ESTERNO	ENTRETOISE	ABSTANDSSTÜCK	SPACER	DISTANCIADOR	2
71	CP039015	LAMA	LAME	MESSER	BLADE	CUCHILLA	16
72	CP039216	DISTANZIALE INTERNO	ENTRETOISE	ABSTANDSSTÜCK	SPACER	DISTANCIADOR	15
73	CP039258	ALBERO LAME D.17	ARBRE	ACHSE	SHAFT	EJE	1

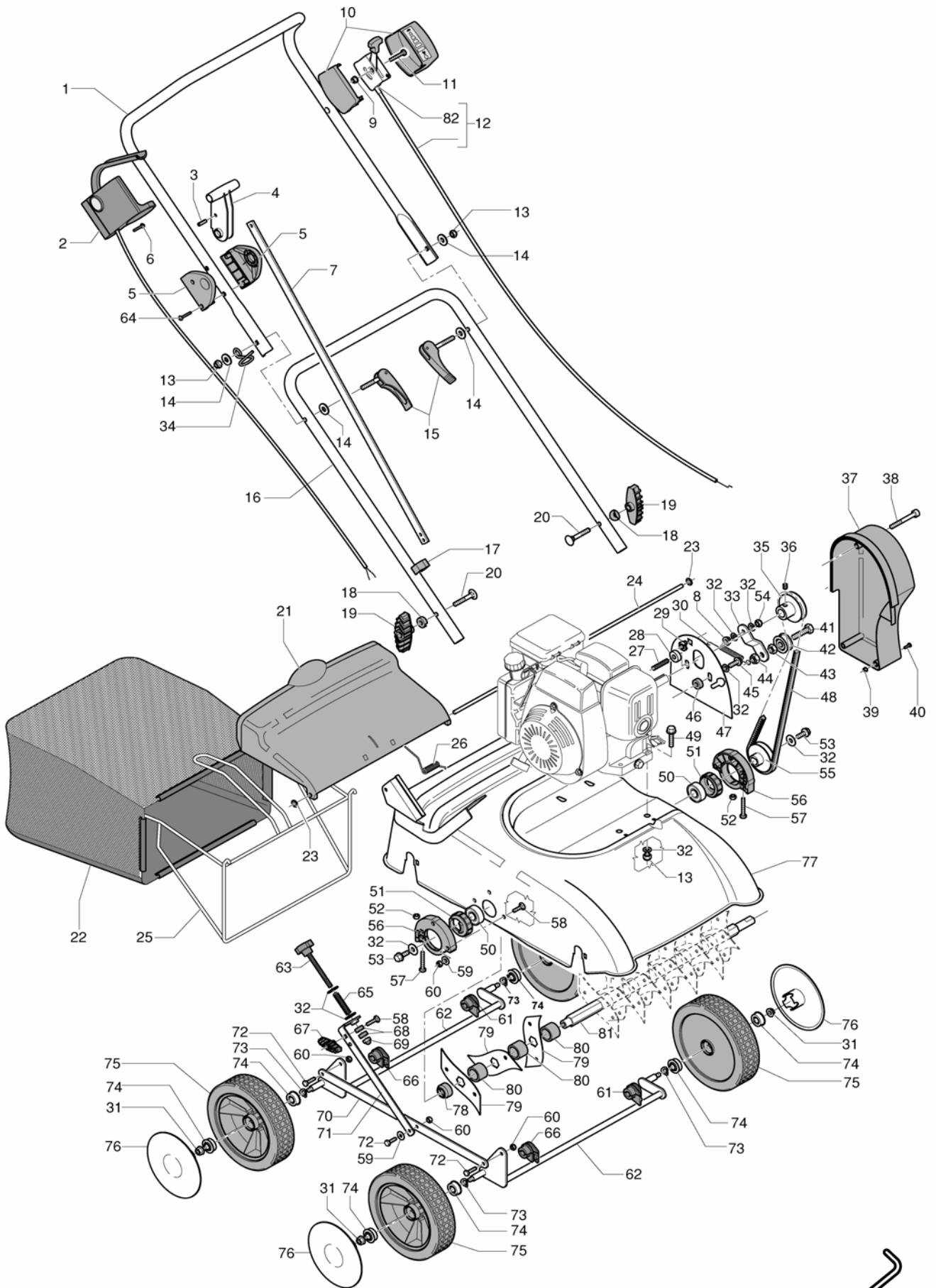
POS.	CODICE	I	F	D	GB	E	S 390 B	S 390 H
3	CP024225	VITE	VIS	SCHRAUBE	SCREW	TORNILLO	2	2
4	CP030620	VITE TE	VIS	SCHRAUBE	SCREW	TORNILLO	3	3
5	CP030816	VITE TE	VIS	SCHRAUBE	SCREW	TORNILLO	4	4
6	CP030817	VITE	VIS	SCHRAUBE	SCREW	TORNILLO	1	1
8	CP030821	VITE	VIS	SCHRAUBE	SCREW	TORNILLO	1	1
9	CP030890	VITE TE	VIS	SCHRAUBE	SCREW	TORNILLO	1	1
10	CP032813	RONDELLA	RONDELLE	SCHEIBE	WASHER	ARANDELA	4	4
11	CP032909	RONDELLA	RONDELLE	SCHEIBE	WASHER	ARANDELA	14	14
13	CP038227	CUSCINETTO 12X27	ROULEMENT	KUGELLAGER	BALL BEARING	COJINETE	8	8
14	CP039005.02	CHASSIS ROSSO	CARTER RAL 3000	GEHÄUSE	DECK	CHASIS	1	1
15	CP039018	PARASASSI	DEFLECTEUR	DEFLEKTOR	REAR DOOR	DEFLECTÓR	1	1
16	CP039033	MANICO INF.	GUIDON	STIEL	HANDLE	MANILLAR	1	1
17	CP039041	MANICO SUP.	GUIDON	STIEL	HANDLE	MANILLAR	1	1
18	CP039050	ASSALE ANT/POST.	AXE AVANT/ARRIERE	VORDERACHSE-HINT	FRONT-REAR AXLE	EJE ANTERIOR/POSTE	2	2
19	CP039076	TELAIO CESTO	ATTELAGE	GRASFANGRAHMEN	FRAME	ARMAZON SACO	1	1
20	CP039081.05	TELA CESTO NERA	SAC RAMASSEUR	GRASFANGSACK	GRASS BAG	SACO TELA	1	1
21	CP039096	COPRICINGHIA	COUVERCLE COURRO	RIEMENSCHUTZ	BELT COVER	TAPA	1	1
23	CP039201	ASTINA	AXE PIVOT	STANGE	HINGE PIN	EJE DEFLECTÓR	1	1
24	CP039261	PULEGGIA D. 60X17,2	POULIE	RIEMENSCHLEIBE	PULLEY	POLEA	1	1
24A	CP039263	PULEGGIA D. 63X20	POULIE	RIEMENSCHLEIBE	PULLEY	POLEA	1	1
25	CP040850	VITE TTQST	VIS	SCHRAUBE	SCREW	TORNILLO	4	4
27	CP039185	INTERRUTTORE MOT	INTERRUPTEUR	SCHALTER	SWITCH	INTERRUPTOR	1	1
31	CP042804	DADO	ÉCROU	MUTTER	KNOB	ESPARRAGO	2	2
32	CP042808	DADO	ÉCROU	MUTTER	KNOB	ESPARRAGO	6	6
33	CP044708	DADO	ÉCROU	MUTTER	KNOB	ESPARRAGO	8	8
34	CP044906	DADO	ÉCROU	MUTTER	KNOB	ESPARRAGO	3	3
35	CP045631	SPINA ELASTICA	GOUPILLE	DORN	PIN	PASADOR	1	1
36	CP046607	RITEGNO	CLIP	RÜCKHALT	RETAINER	ANILLO CLIP	2	2
37	CP047212	SUPPORTO ASSALE	SUPPORT	ACHSELAGER	SUPPORT	SOPORTE	2	2
38	CP047213	SUPPORTO ASSALE	SUPPORT	ACHSELAGER	SUPPORT	SOPORTE	2	2
39	CP047724	CINGHIA SPZX 645	COURROIE	RIEMEN	BELT	CORREA	1	1
40	CP050110	RUOTA 200	ROUE	RAD	WHEEL	RUEDA	4	4
41	CP050130	COPRIRUOTA 200	CACHE MOYEU	RADDECKUNG	HUB CAP	TAPA RUEDA	4	4
42	CP050222	FERMACAVO	ATTACHE CABLE	KABELBESCHWERER	CLIP	FIJADOR CABLE	2	2
43	CP050228	POMOLO MANICO	ÉCROU	GRIFF	KNOB HANDLE	POMO MANILLAR	4	4
44	CP050230	RONDELLA	RONDELLE	SCHEIBE	WASHER	ARANDELA	4	4
45	CP060412	VITE	VIS	SCHRAUBE	SCREW	TORNILLO	2	2
46	PL033868	POMOLO M8	ÉCROU	GRIFF	KNOB	POMO	1	1
47	CP039252	FLANGIA I=84	BRIDE	FLANSCH	FLANGE	SOPORTE	2	2
48	PL072483	COPERCHIO SUPPOR	CACHE PALIER	HAUBE	COVER	TAPA	1	1
49	PL072487	PIASTRINA SINISTRA	PLATINE G.	TRAGER	SUPPORT	SOPORTE	1	1
50	PL072488	PIASTRINA DESTRA	PLATINE D.	TRAGER	SOPPORT	SOPORTE	1	1
51	PL072489	LEVA ALZO	LEVIER	STANGE	LEVER	LEVA	1	1
52	PL073170	MOLLA	RESSORT	FEDER	SPRING	MUELLE	1	1
53	PL073815	BARRA	BARRE	GESTÄNGE	LINK	TIRANTE	1	1
54	PL073811	BARRA	BARRE	GESTÄNGE	LINK	TIRANTE	1	1
55	PL073819	TIRANTE ASSALE	BARRE	GESTÄNGE	LINK ROD	TIRANTE EJE	1	1
56	PL073823	MOLLA PARASASSI	RESSORT	FEDER	SPRING	MUELLE	1	1
58	PL073834	ALBERO LAME D.17,2	ARBRE	ACHSE	SHAFT	EJE	1	1
58A	CP039260	ALBERO LAME D.20	ARBRE	ACHSE	SHAFT	EJE	1	1
59	PL073836	DISTANZIALE	ENTRETOISE	ABSTANDSSTÜCK	SPACER	DISTANCIADOR	2	2
60	PL073837	DISTANZIALE	ENTRETOISE	ABSTANDSSTÜCK	SPACER	DISTANCIADOR	15	15
61	PL073838	LAMA	LAME	MESSER	BLADE	CUCHILLA	16	16
62	PL073841	CUSCINETTO	ROULEMENT	KUGELLAGER	BALL BEARING	COJINETE	2	2
64	PL073843	GALLETTO M6	ÉCROU	MUTTER	KNOB	ESPARRAGO	1	1
68	PLZ26-8-50	VITE	VIS	SCHRAUBE	SCREW	TORNILLO	1	1
69	PLZ29-4-16	VITE	VIS	SCHRAUBE	SCREW	TORNILLO	2	2
70	PLZ42-6-16	VITE	VIS	SCHRAUBE	SCREW	TORNILLO	1	1
71	CP044808	DADO	ÉCROU	MUTTER	KNOB	ESPARRAGO	1	1
72	CP023925	VITE AUTOF.	VIS	SCHRAUBE	SCREW	TORNILLO	2	2
73	CP053792	DECALCO S390 B	DECALQUE	ETIKETTE	DECAL	CARTEL	1	
73	CP053794	DECALCO S390 H	DECALQUE	ETIKETTE	DECAL	CARTEL		1
74	CP053813	DECALCO	DECALQUE	ETIKETTE	DECAL	CARTEL	1	1
75	CP053715	DECALCO	DECALQUE	ETIKETTE	DECAL	CARTEL	1	1
76	CP030515	VITE	VIS	SCHRAUBE	SCREW	TORNILLO	1	1
77	CP030845	VITE TE	VIS	SCHRAUBE	SCREW	TORNILLO	4	4
78	CP032912	RONDELLA	RONDELLE	SCHEIBE	WASHER	ARANDELA	8	8
79	CP039262	PULEGGIA MOTORE 2	POULIE	RIEMENSCHLEIBE	PULLEY	POLEA	1	1
80	CP040142	CAVO ACCELERATOR	MANETTE GAZ	BESCHLEUNIGER	THROTTLE CABLE	ACELERADOR	1	
80	CP053142	CAVO ACCELERATOR	MANETTE GAZ	BESCHLEUNIGER	THROTTLE CABLE	ACELERADOR		1
81	CP047242	GANCIO FUNE AVV.	PORTE CABLE	KABELHALTER	CABLE SUPPORT	FIJADOR CABLE	1	1
82	CP042806	DADO	ÉCROU	MUTTER	KNOB	ESPARRAGO	1	1
83	CP045810	GRANO	VIS	SCHRAUBE	SCREW	TORNILLO	1	1
84	CP047220	COPRIACCELERATOR	BOITE	GETRIEBE	GEAR BOX	CAJA	1	1
85	CP047250	COMANDO ACCELERATOR	LEVIER	STANGE	THROTTLE LEVER	LEVA	1	1
86	CP050825	VITE TE UNF	VIS	SCHRAUBE	SCREW	TORNILLO	2	2
87	CP053713	DECALCO	DECALQUE	ETIKETTE	DECAL	CARTEL	1	1
88	CP058224	FASCETTA	ATTACHE CABLE	KABELBESCHWERER	CLIP	FIJADOR CABLE	1	1
89	CP060640	VITE TC	VIS	SCHRAUBE	SCREW	TORNILLO	1	1

S 390 H - S 390 B



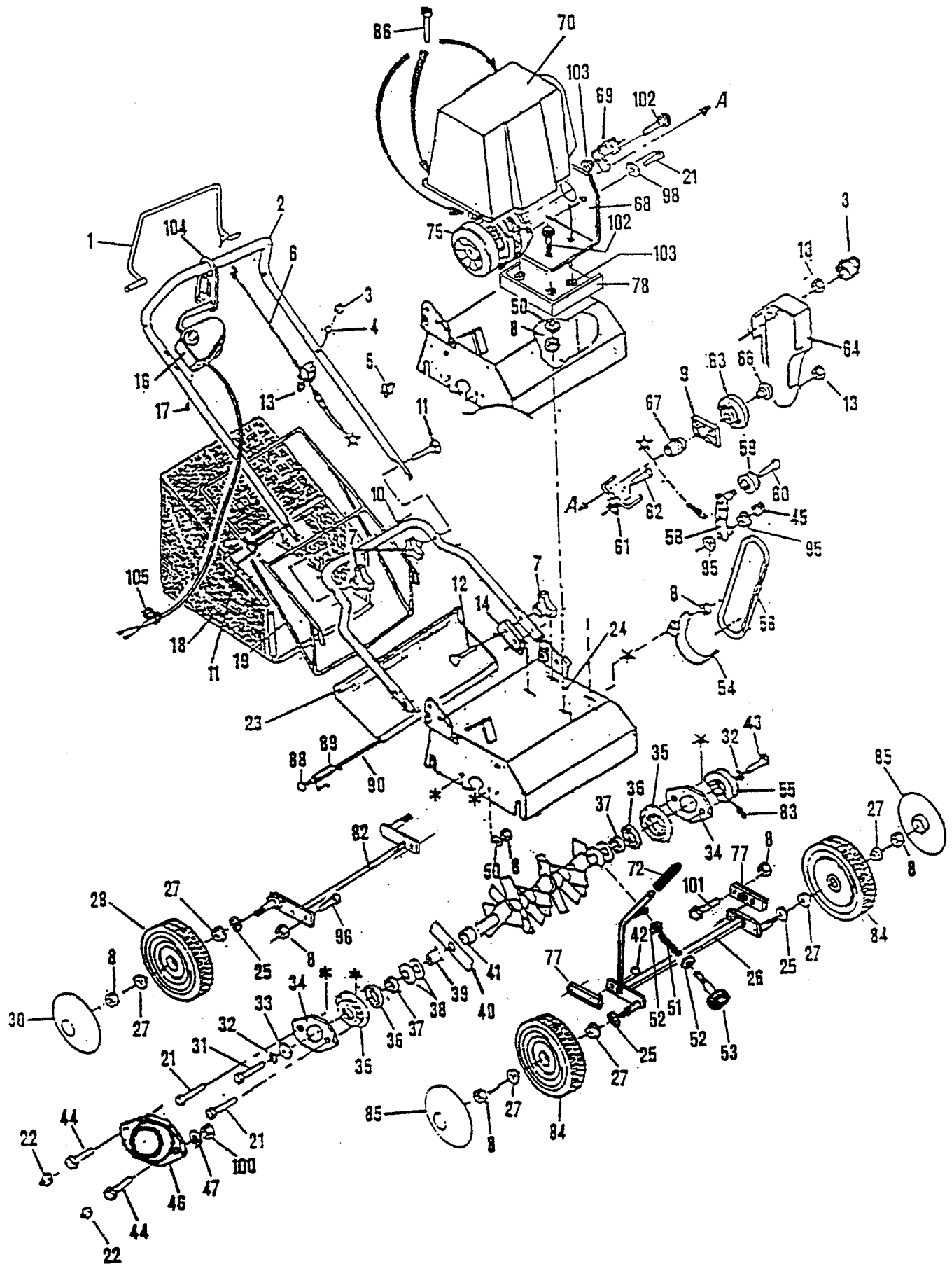
POS.	CODICE	I	F	D	GB	E	S 390 B	S 390 H
1	CP039041	MANICO SUP.	GUIDON	STIEL	HANDLE	MANILLAR	1	1
2	CP039185	INTERRUTTORE MOTO	INTERRUPTEUR	SCHALTER	SWITCH	INTERRUPTOR	1	1
3	CP045620	SPINA	GOUPILLE	DORN	PIN	PASADOR	1	1
4	CP039224	LEVA ALZO	LEVIER	STANGE	LEVER	LEVA	1	1
5	CP039225	SUPPORTO	PLATINE	TRAGER	SOPPORT	SOPORTE	2	2
6	CP023925	VITE AUTOF.	VIS	SCHRAUBE	SCREW	TORNILLO	2	2
7	CP039064	TIRANTE X LEVA	BARRE	GESTÄNGE	LINK	TIRANTE	1	1
8	CP042707	DADO UNF	ÉCROU	MUTTER	KNOB	ESPARRAGO	1	
8	CP042808	DADO	ÉCROU	MUTTER	KNOB	ESPARRAGO		1
9	CP042806	DADO	ÉCROU	MUTTER	KNOB	ESPARRAGO	1	1
10	CP047220	COPRIACCELERATORE	BOITE	GETRIEBE	GEAR BOX	CAJA	1	1
11	CP060640	VITE TC	VIS	SCHRAUBE	SCREW	TORNILLO	1	1
12	CP053142	CAVO ACCELERATORE	MANETTE GAZ	BESCHLEUNIGER	THROTTLE CABLE	ACELERADOR	1	1
13	CP044708	DADO	ÉCROU	MUTTER	KNOB	ESPARRAGO	6	6
14	CP032924	RONDELLA	RONDELLE	SCHLEIBE	WASHER	ARANDELA	4	4
15	CP047222	LEVA COMPLETA CORT	LEVIER	STANGE	LEVER	LEVA	2	2
16	CP039033	MANICO INF.	GUIDON	STIEL	HANDLE	MANILLAR	1	1
17	CP050222	FERMACAVO	ATTACHE CABLE	KABELBESCHWERER	CLIP	FIJADOR CABLE	1	1
18	CP050230	RONDELLA	RONDELLE	SCHLEIBE	WASHER	ARANDELA	2	2
19	CP050228	POMOLO MANICO	ÉCROU	GRIFF	KNOB HANDLE	POMO MANILLAR	2	2
20	CP040850	VITE TTQST	VIS	SCHRAUBE	SCREW	TORNILLO	2	2
21	CP039018	PARASASSI	DEFLECTEUR	DEFLEKTOR	REAR DOOR	DEFLECTÓR	1	1
22	CP039081.05	TELA CESTO NERA	SAC RAMASSEUR	GRASFANGSACK	GRASS BAG	SACO TELA	1	1
23	CP046607	RITEGNO	CLIP	RÜCKHALT	RETAINER	ANILLO CLIP	2	2
24	CP039201	ASTINA	AXE PIVOT	STANGE	HINGE PIN	EJE DEFLECTÓR	1	1
25	CP039076	TELAIO CESTO	ATTELAGE	GRASFANGRAHMEN	FRAME	ARMAZON SACO	1	1
26	CP039193	MOLLA	RESSORT	FEDER	SPRING	MUELLE	1	1
27	CP039257	VITE UNF	VIS	SCHRAUBE	SCREW	TORNILLO	1	
27	CP042257	VITE 8X50	VIS	SCHRAUBE	SCREW	TORNILLO		1
28	CP039266	DISTANZIALE	ENTRETOISE	ABSTANDSSTÜCK	SPACER	DISTANCIADOR	1	1
29	CP045808	DADO IN GABBIA	ÉCROU	MUTTER	KNOB	ESPARRAGO	1	1
30	CP039191	MOLLA	RESSORT	FEDER	SPRING	MUELLE	1	1
31	CP042808	DADO	ÉCROU	MUTTER	KNOB	ESPARRAGO	4	4
32	CP032909	RONDELLA	RONDELLE	SCHLEIBE	WASHER	ARANDELA	11	11
33	CP039247	LEVA GALOPPINO	LEVIER	STANGE	LEVER	LEVA	1	1
34	CP047242	GANCIO FUNE AVV.	PORTE CABLE	KABELHALTER	CABLE SUPPORT	FIJADOR CABLE	4	4
35	CP039262	PULEGGIA MOTORE 22	POULIE	RIEMENSCHLEIBE	PULLEY	POLEA	1	1
36	CP045810	GRANO	VIS	SCHRAUBE	SCREW	TORNILLO	1	1
37	CP039096	COPRICINGHIA	COUVERCLE COURROI	RIEMENSCHUTZ	BELT COVER	TAPA	1	1
38	CP039865	VITE	VIS	SCHRAUBE	SCREW	TORNILLO	1	1
39	CP042804	DADO	ÉCROU	MUTTER	KNOB	ESPARRAGO	2	2
40	CP060412	VITE	VIS	SCHRAUBE	SCREW	TORNILLO	2	2
41	CP031040	VITE	VIS	SCHRAUBE	SCREW	TORNILLO	1	1
42	CP039268	RUOTA FOLLE	POULIE	RIEMENSCHLEIBE	PULLEY	POLEA	1	1
43	CP042710	DADO	ÉCROU	MUTTER	KNOB	ESPARRAGO	1	1
44	CP044910	DADO	ÉCROU	MUTTER	KNOB	ESPARRAGO	1	1
45	CP050825	VITE TE UNF	VIS	SCHRAUBE	SCREW	TORNILLO	1	
45	CP030825	VITE TE	VIS	SCHRAUBE	SCREW	TORNILLO		1
46	PL033940	DISTANZIALE	ENTRETOISE	ABSTANDSSTÜCK	SPACER	DISTANCIADOR	1	1
47	CP039250	SUPPORTO	PLATINE	TRAGER	SUPPORT	PLATINA	1	1
48	CP047625	CINGHIA SPZ 637	COURROIE	RIEMEN	BELT	CORREA	1	1
49	CP030840	VITE TE	VIS	SCHRAUBE	SCREW	TORNILLO		4
49	CP030845	VITE TE	VIS	SCHRAUBE	SCREW	TORNILLO	4	
50	CP038040	CUSCINETTO	ROULEMENT	KUGELLAGER	BALL BEARING	COJINETE	2	2
51	CP039213	CAMMA	PLATINE	TRAGER	SOPPORT	SOPORTE	2	2
52	CP042706	DADO	ÉCROU	MUTTER	KNOB	ESPARRAGO	2	2
53	CP030821	VITE	VIS	SCHRAUBE	SCREW	TORNILLO	2	2
54	CP044707	DADO UNF	ÉCROU	MUTTER	KNOB	ESPARRAGO	1	
54	CP044708	DADO	ÉCROU	MUTTER	KNOB	ESPARRAGO		1
55	CP039259	PULEGGIA ALBERO	POULIE	RIEMENSCHLEIBE	PULLEY	POLEA	1	1
56	CP039212	SUPPORTO	PLATINE	TRAGER	SOPPORT	SOPORTE	2	2
57	CP060645	VITE TC	VIS	SCHRAUBE	SCREW	TORNILLO	2	2
58	CP040625	VITE	VIS	SCHRAUBE	SCREW	TORNILLO	7	7
59	CP032907	RONDELLA	RONDELLE	SCHLEIBE	WASHER	ARANDELA	7	7
60	CP044906	DADO	ÉCROU	MUTTER	KNOB	ESPARRAGO	9	9
61	CP047212	SUPPORTO ASSALE	SUPPORT	ACHSELAGER	SUPPORT	SOPORTE	2	2
62	CP039051	ASSALE ANT/POST.	AXE AVANT/ARRIERE	VORDERACHSE-HINTE	FRONT-REAR AXLE	EJE ANTERIOR/POSTER	2	2
63	CP039223	POMOLO ALZO	VIS	SCHRAUBE	SCREW	TORNILLO	1	1
64	CP024225	VITE	VIS	SCHRAUBE	SCREW	TORNILLO	4	4
65	CP039192	MOLLA	RESSORT	FEDER	SPRING	MUELLE	1	1
66	CP047213	SUPPORTO ASSALE	SUPPORT	ACHSELAGER	SUPPORT	SOPORTE	2	2
67	CP032228	POMOLO MANICO	ÉCROU	GRIFF	KNOB HANDLE	POMO MANILLAR	1	1
68	CP050233	RONDELLA	RONDELLE	SCHLEIBE	WASHER	ARANDELA	2	2
69	CP044808	DADO	ÉCROU	MUTTER	KNOB	ESPARRAGO	1	1
70	CP039066	TIRANTE ASSALE	BARRE	GESTÄNGE	LINK	TIRANTE	1	1
71	CP039065	TIRANTE A L	BARRE	GESTÄNGE	LINK	TIRANTE	1	1
72	CP030620	VITE TE	VIS	SCHRAUBE	SCREW	TORNILLO	3	3
73	CP032813	RONDELLA	RONDELLE	SCHLEIBE	WASHER	ARANDELA	4	4
74	CP038227	CUSCINETTO 12X27	ROULEMENT	KUGELLAGER	BALL BEARING	COJINETE	8	8
75	CP050110	RUOTA 200	ROUE	RAD	WHEEL	RUEDA	4	4
76	CP050132	COPRIRUOTA 200-230	CACHE MOYEU	RADDECKUNG	HUB CAP	TAPA RUEDA	4	4
77	CP039005.02	CHASSIS ROSSO	CARTER RAL 3000	GEHÄUSE	DECK	CHASIS	1	1

S 390 B - S 390 H



POS.	CODICE	I	F	D	GB	E	S 390 B	S 390 H
1	CP039041	MANICO SUP.	GUIDON	STIEL	HANDLE	MANILLAR	1	1
2	CP039185	INTERRUTTORE MOTO	INTERRUPTEUR	SCHALTER	SWITCH	INTERRUPTOR	1	1
3	CP045620	SPINA	GOUPILLE	DORN	PIN	PASADOR	1	1
4	CP039224	LEVA ALZO	LEVIER	STANGE	LEVER	TORNILLO	1	1
5	CP039225	SUPPORTO	PLATINE	TRAGER	SOPPORT	SOPORTE	2	2
6	CP023925	VITE AUTOF.	VIS	SCHRAUBE	SCREW	TORNILLO	2	2
7	CP039064	TIRANTE X LEVA	BARRE	GESTÄNGE	LINK	TIRANTE	1	1
8	CP042707	DADO UNF	ÉCROU	MUTTER	KNOB	ESPARRAGO	1	
8	CP042808	DADO	ÉCROU	MUTTER	KNOB	ESPARRAGO		1
9	CP042806	DADO	ÉCROU	MUTTER	KNOB	ESPARRAGO	1	1
10	CP047220	COPRIACCELERATORE	COUVERCLE	DECKEL	COVER	COPA PROTECTORA	1	1
11	CP060640	VITE TC	VIS	SCHRAUBE	SCREW	TORNILLO	1	1
12	CP053142	CAVO ACCELERATORE	MANETTE GAZ	BESCHLEUNIGER	THROTTLE CABLE	ACELERADOR	1	1
13	CP044708	DADO	ÉCROU	MUTTER	KNOB	ESPARRAGO	6	6
14	CP032924	RONDELLA	RONDELLE	SCHEIBE	WASHER	ARANDELA	4	4
15	CP047222	LEVA COMPLETA CORT	LEVIER	STANGE	LEVER	LEVA	2	2
16	CP039033	MANICO INF.	GUIDON	STIEL	HANDLE	MANILLAR	1	1
17	CP050222	FERMACAVO	ATTACHE CABLE	KABELBESCHWERER	CLIP	FIJADOR CABLE	1	1
18	CP050230	RONDELLA	RONDELLE	SCHEIBE	WASHER	ARANDELA	2	2
19	CP050228	POMOLO MANICO	ÉCROU	GRIFF	KNOB HANDLE	POMO MANILLAR	2	2
20	CP040850	VITE TTQST	VIS	SCHRAUBE	SCREW	TORNILLO	2	2
21	CP039018	PARASASSI	DEFLECTEUR	DEFLEKTOR	REAR DOOR	DEFLECTÓR	1	1
22	CP039081.05	TELA CESTO NERA	SAC RAMASSEUR	GRASFANGSACK	GRASS BAG	SACO TELA	1	1
23	CP046607	RITEGNO	CLIP	RÜCKHALT	RETAINER	ANILLO CLIP	2	2
24	CP039201	ASTINA	AXE PIVOT	STANGE	HINGE PIN	EJE DEFLECTÓR	1	1
25	CP039076	TELAIO CESTO	ATTELAGE	GRASFANGRAHMEN	FRAME	ARMAZON SACO	1	1
26	CP039193	MOLLA	RESSORT	FEDER	SPRING	MUELLE	1	1
27	CP039257	VITE UNF	VIS	SCHRAUBE	SCREW	TORNILLO	1	
27	CP042257	VITE 8X50	VIS	SCHRAUBE	SCREW	TORNILLO		1
28	CP039266	DISTANZIALE	ENTRETOISE	ABSTANDSSTÜCK	SPACER	DISTANCIADOR	1	1
29	CP045808	DADO IN GABBIA	ÉCROU	MUTTER	KNOB	ESPARRAGO	1	1
30	CP039191	MOLLA	RESSORT	FEDER	SPRING	MUELLE	1	1
31	CP042808	DADO	ÉCROU	MUTTER	KNOB	ESPARRAGO	4	4
32	CP032909	RONDELLA	RONDELLE	SCHEIBE	WASHER	ARANDELA	11	11
33	CP039247	LEVA GALOPPINO	LEVIER	STANGE	LEVER	LEVA	1	1
34	CP047242	GANCIO FUNE AVV.	PORTE CABLE	KABELHALTER	CABLE SUPPORT	FIJADOR CABLE	4	4
35	CP039262	PULEGGIA MOTORE 22	POULIE	RIEMENSCHLEIBE	PULLEY	POLEA	1	1
36	CP045810	GRANO	VIS	SCHRAUBE	SCREW	TORNILLO	1	1
37	CP039096	COPRICINGHIA	COUVERCLE COURROI	RIEMENSCHUTZ	BELT COVER	TAPA	1	1
38	CP039865	VITE	VIS	SCHRAUBE	SCREW	TORNILLO	1	1
39	CP042804	DADO	ÉCROU	MUTTER	KNOB	ESPARRAGO	2	2
40	CP060412	VITE	VIS	SCHRAUBE	SCREW	TORNILLO	2	2
41	CP031040	VITE	VIS	SCHRAUBE	SCREW	TORNILLO	1	1
42	CP039268	RUOTA FOLLE	POULIE	RIEMENSCHLEIBE	PULLEY	POLEA	1	1
43	CP042710	DADO	ÉCROU	MUTTER	KNOB	ESPARRAGO	1	1
44	CP044910	DADO	ÉCROU	MUTTER	KNOB	ESPARRAGO	1	1
45	CP050825	VITE TE UNF	VIS	SCHRAUBE	SCREW	TORNILLO	1	
45	CP030825	VITE TE	VIS	SCHRAUBE	SCREW	TORNILLO		1
46	PL033940	DISTANZIALE	ENTRETOISE	ABSTANDSSTÜCK	SPACER	DISTANCIADOR	1	1
47	CP039250	SUPPORTO	PLATINE	TRAGER	SUPPORT	PLATINA	1	1
48	CP047625	CINGHIA SPZ 637	COURROIE	RIEMEN	BELT	CORREA	1	1
49	CP030840	VITE TE	VIS	SCHRAUBE	SCREW	TORNILLO		4
49	CP030845	VITE TE	VIS	SCHRAUBE	SCREW	TORNILLO	4	
50	CP038040	CUSCINETTO	ROULEMENT	KUGELLAGER	BALL BEARING	COJINETE	2	2
51	CP039213	CAMMA	PLATINE	TRAGER	SOPPORT	SOPORTE	2	2
52	CP042706	DADO	ÉCROU	MUTTER	KNOB	ESPARRAGO	2	2
53	CP030821	VITE	VIS	SCHRAUBE	SCREW	TORNILLO	2	2
54	CP044707	DADO UNF	ÉCROU	MUTTER	KNOB	ESPARRAGO	1	
54	CP044708	DADO	ÉCROU	MUTTER	KNOB	ESPARRAGO		1
55	CP039259	PULEGGIA ALBERO	POULIE	RIEMENSCHLEIBE	PULLEY	POLEA	1	1
56	CP039212	SUPPORTO	PLATINE	TRAGER	SOPPORT	SOPORTE	2	2
57	CP060645	VITE TC	VIS	SCHRAUBE	SCREW	TORNILLO	2	2
58	CP040625	VITE	VIS	SCHRAUBE	SCREW	TORNILLO	7	7
59	CP032907	RONDELLA	RONDELLE	SCHEIBE	WASHER	ARANDELA	7	7
60	CP044906	DADO	ÉCROU	MUTTER	KNOB	ESPARRAGO	9	9
61	CP047212	SUPPORTO ASSALE	SUPPORT	ACHSELAGER	SUPPORT	SOPORTE	2	2
62	CP039051	ASSALE ANT/POST.	AXE AVANT/ARRIERE	VORDERACHSE-HINTE	FRONT-REAR AXLE	EJE ANTERIOR/POSTER	2	2
63	CP039223	POMOLO ALZO	VIS	SCHRAUBE	SCREW	TORNILLO	1	1
64	CP024225	VITE	VIS	SCHRAUBE	SCREW	TORNILLO	4	4
65	CP039192	MOLLA	RESSORT	FEDER	SPRING	MUELLE	1	1
66	CP047213	SUPPORTO ASSALE	SUPPORT	ACHSELAGER	SUPPORT	SOPORTE	2	2
67	CP032228	POMOLO MANICO	ÉCROU	GRIFF	KNOB HANDLE	POMO MANILLAR	1	1
68	CP050233	RONDELLA	RONDELLE	SCHEIBE	WASHER	ARANDELA	2	2
69	CP044808	DADO	ÉCROU	MUTTER	KNOB	ESPARRAGO	1	1
70	CP039066	TIRANTE ASSALE	BARRE	GESTÄNGE	LINK	TIRANTE	1	1
71	CP039065	TIRANTE A L	BARRE	GESTÄNGE	LINK	TIRANTE	1	1
72	CP030620	VITE TE	VIS	SCHRAUBE	SCREW	TORNILLO	3	3
73	CP032813	RONDELLA	RONDELLE	SCHEIBE	WASHER	ARANDELA	4	4
74	CP038227	CUSCINETTO 12X27	ROULEMENT	KUGELLAGER	BALL BEARING	COJINETE	8	8
75	CP050110	RUOTA 200	ROUE	RAD	WHEEL	RUEDA	4 till 10/2005	
75	CP053118.98	RUOTA 209 PH ZINCAT	ROUE ACIER	VERZINKTES RAD	ZINC WHEEL	RUEDA ZINC	4 from 11/2005	
76	CP050132	COPRIRUOTA 200-230	CACHE MOYEU	RADDECKUNG	HUB CAP	TAPA RUEDA	4 till 10/2005	
76	CP047133	COPRIRUOTA	CACHE MOYEU	RADDECKUNG	HUB CAP	TAPA RUEDA	4 from 11/2005	

S 400 E



S 400 E



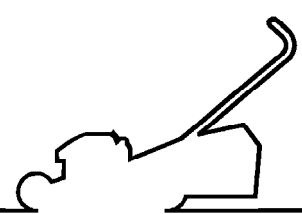
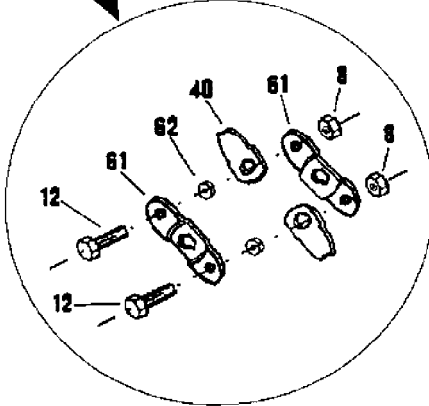
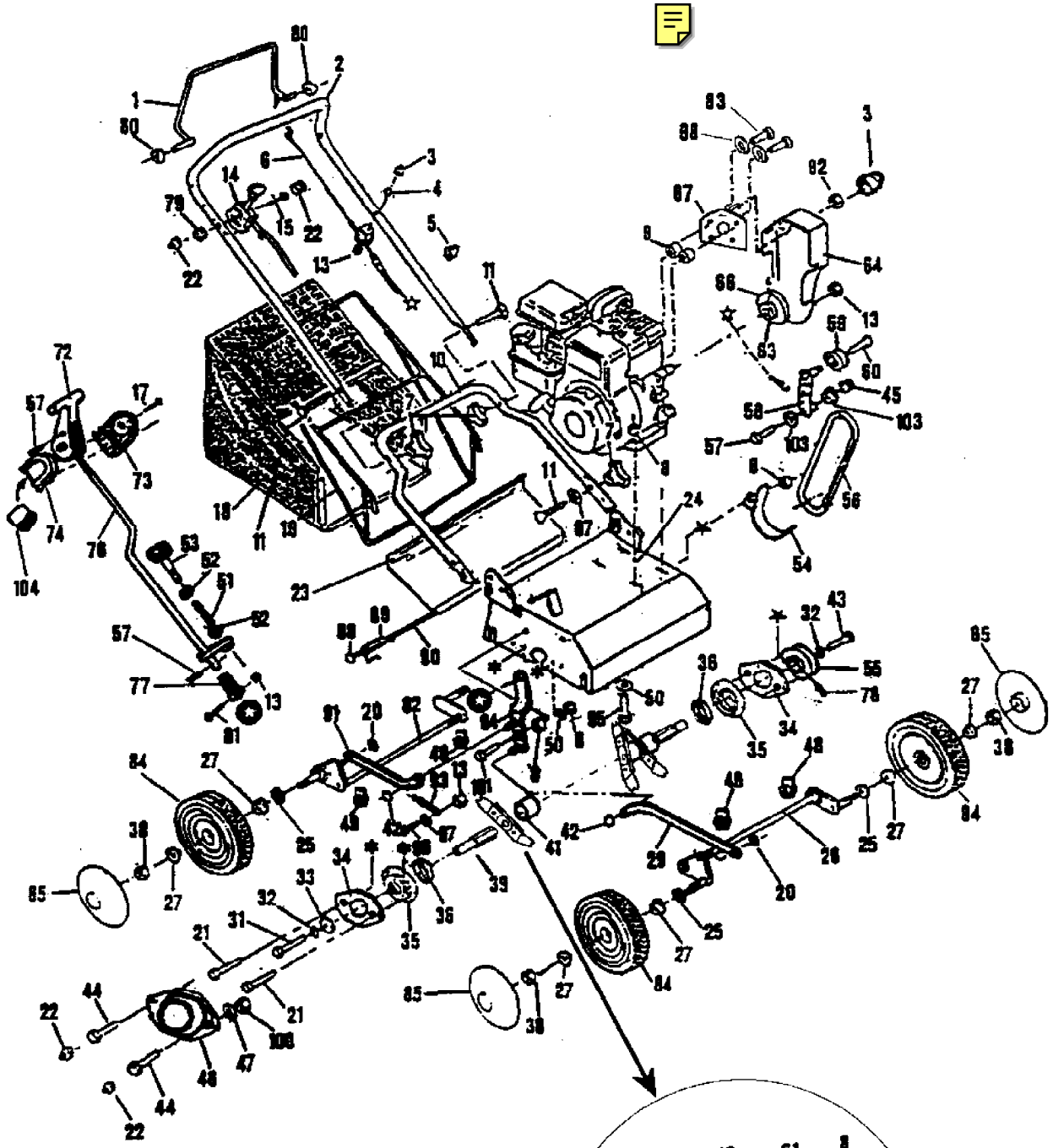
Fig.	Références	Désignation	Part Name	Bezeichnung	Descrizione	Descripcion	Designação	Omschrijving	400 E
1	72752.1	Poignée d'embrayage	Lever clutch	Kupplungsgriff	Barra	Empunadura	Alavanca	Koppelingshendel	X
2	73204	Guidon	Handlebar	Lenker	Manico	Barra	Guiador	Handgreep	X
3	31494	Cache-Ecrou	Plastic cap	Mutternabdeckung	Copri	Tapon plastico	Tampão plastico	Kunststoffkrap	X
4	Z03.6.45	Vis	Screw	Schraube	Vite	Tornillo	Parafuso	Schroef	1
5	42032	Collier	Clip	Klemmschelle	Ferma cavo	Abrazadera	Gancho	Kabelbinder	6
6	72394	Timonerie d'embrayage	Clutch control	Gestange	Cavo semovenza	Varillaje	Timão	Koppllingstang	X
7	46032	Bouton de fixation	Nut	Mutter	Pomolo manico	Tuerca	Parafuso	Moer	4
8	Z53.8	Ecrou	Nut	Mutter	Dado	Tuerca	Parafuso	Moer	16
9	42152	Entretoise	Spacer	Anstandshüle	Distanziale	Distanciador	Separador	Afstandsbuis	2
10	72435	Guidon inférieur	Handlebar	Lenker	Manico	Barra	Guiador	Handgreep	X
11	Z42.8.50	Vis	Screw	Schraube	Vite	Tornillo	Parafuso	Schroef	2
12	Z42.8.55	Vis	Screw	Schraube	Vite	Tornillo	Parafuso	Schroef	2
13	Z53.6	Ecrou	Nut	Mutter	Dado	Tuerca	Parafuso	Moer	3
14	72436	Support	Support	Trager	Supporto	Pletina	Platina	Steun	X
16	72777	Interrupteur	Interruptor	Schalter	Interruttore	Interruptor	Interrtor	Schakelaar	1
17	Z29.4.25	Vis	Screw	Schraube	Vite	Tornillo	Parafuso	Schroef	4
18	72494	Sac	Bag	Sack	Tela cesto	Bolsa de recogida	Saco do pixo	Verzamelzak	X
19	72493	Armature	Sack frame	Armatur	Telaio cesto	Armadura	Armadura	Zakarmatur	X
21	Z03.8.20	Vis	Screw	Schraube	Vite	Tornillo	Parafuso	Schroef	7
22	31529	Cache-écrou	Plastic cap	Mutternabdeckung	Copri	Tapon plastico	Tampão plastico	Kunststoffkap	2
23	72732	Volet arrière	Deflector	Ablenblech	Parasassi	Deflector	Deflector	Deflector	X
24	72863	Chassis	Carter	Carter	Scocca	Casco	Carter	Aandrijfkap	X
25	054.12.20	Rondelle	Washer	Scheibe	Rondella	Arandela	Anilha	Ring	8
26	73190	Essieu avant	Axle	Achse	Astina	Eje	Eixo	Wiel	X
27	46108	Coussinet	Bearing bush	Wellenlager	Cuscinetto	Cojinete	Casquillo	Lagerbus	8
28	46114	Roue	Wheel	Rad	Rueda	Rueda	Roda	Wiel	2
30	43131	Enjoliveur	Hub cap	Radzierkappe	Copri ruota	Embellecedor	Calote	Dop	2
31	003.10.30	Vis	Screw	Schraube	Vite	Tornillo	Parafuso	Schroef	1
32	012.10.AZ	Rondelle éventail	Washer	Scheibe	Rondella	Arandela	Anilha	Ring	2
33	72317	Rondelle	Washer	Scheibe	Rondella	Arandela	Anilha	Ring	1
34	72316	Bride	Plate	Plaque	Piastrina	Tapa	Platina	Plaat	2
35	72315	Coquille	Disc	Flansch	Coperchio	Disco	Disco	Plaat	2
36	030.6004.2	Roulement	Bearing	Lager	Cuscinetto	Cojinete	Rolamento	Kogellager	2
37	72756	Entretoise	Spacer	Abstandsstück	Distanziale	Distanciador	Separador	Afstandsstück	2
38	72765	Rondelle "Belleville"	Washer	Scheibe	Rondella	Arandela	Anilha	Ring	4
39	72481	Arbre	Shaft	Welle	Assale	Eje	Eixo	Wielas	X
40	72492	Couteau	Blade	Messer	Zappetta	Cuchilla	Lamina	Mes	17
41	72755	Entretoise	Spacer	Abstandsstück	Distanziale	Distanciador	Separador	Afstandsstück	16
42	062.RS9	Clips	Clip	Clips	Ritegno	Clip	Anel	Clip	2
43	003.10.40	Vis	Screw	Schraube	Vite	Tornillo	Parafuso	Schroef	1
44	Z03.5.16	Vis	Screw	Schraube	Vite	Tornillo	Parafuso	Schroef	2
45	Z53.10	Ecrou	Nut	Mutter	Dado	Tuerca	Porca	Moer	1
46	72483	Cache-palier	Cover	Haube	Coperchio	Embellecedor	Calote	Dop	X
47	Z08.L5N	Rondelle	Washer	Scheibe	Rondella	Arandela	Anilha	Ring	5
50	Z08.L8N	Rondelle	Washer	Scheibe	Rondella	Arandela	Anilha	Ring	24
51	71517	Ressort	Spring	Feder	Molla	Muelle	Mola	Veer	1
52	Z08.M10U	Rondelle	Washer	Scheibe	Rondella	Arandela	Anilha	Ring	3
53	71356	Poignée	Knob-height	Anschlag	Pomolo	Tornillo	Batao	Knop	1
54	72796	Guide courroie	Vee belt guide	Riemenführung	Guida cinghia	Guia de correa	Guia de correia	Drijfriegelgeleider	X
55	72318	Poulie réceptrice	Pulley	Treibrad	Puleggia	Polea	Polia	Riemschijf	1
56	72321	Courroie	Belt	Riemen	Cinghia	Correa	Correia	Riem	1
58	72782	Bras de galet	Arm	Vorrichtung	Leva	Leva	Braço	Rolarm	X
59	30554	Galet	Tensioner wheel	Riemenrollen	Puleggia	Polea	Polia	Rol	1
60	Z03.10.20	Vis	Screw	Schraube	Vite	Tornillo	Parafuso	Schroef	1
61	72344	Guide courroie	Vee belt guide	Riemenführung	Guida cinghia	Guia de correa	Guia de correia	Drijfriegelgeleider	X
62	Z03.8.20	Vis	Screw	Schraube	Vite	Tornillo	Parafuso	Schroef	1
63	72396	Poulie motrice	Pulley	Treibrad	Puleggia	Polea	Polia	Riemschijf	X
64	72772	Capot courroie	Cover	Riemenhaube	Coperchio	Capo	Cobertura	Kap	1
66	32008	Vis	Screw	Schraube	Vite	Tornillo	Parafuso	Schroef	1
67	32023	Support moyeu	Support	Nabe	Supporto	Pletina	Platina	Steun	1
68	72762	Equerre	Support	Trager	Supporto	Pletina	Platina	Plaat	1
69	72793	Support de capot	Support	Trager	Supporto	Pletina	Platina	Steun	X
70	72778	Capot moteur	Engine cover	Motorhaube	Carenatura	Capo	Cobertura	Kap	X
72	73178	Poignée	Clutch	Hebel	Leva	Empuradura	Alavanca	Hendel	1
75	72795	Moteur électrique	Engine	Motor	Motore	Motor	Motor	Motor	X
77	73182	Bride	Support	Trager	Supporto	Supporto	Hevel	Braco	X
78	72438	Plaque isolante	Plate	Trager	Piastrina	Tapa	Platina	Plaat	1
80	46301	Rondelle	Washer	Scheibe	Rondella	Arandela	Anilha	Ring	2
82	73174	Essieu arrière	Axle	Achse	Astina	Eje	Eixo	Wielas	X
83	024.6.10	Vis	Screw	Schraube	Vite	Tornillo	Parafuso	Schroef	1
84	46010	Roue	Wheel	Rad	Rueda	Rueda	Roda	Wiel	2
85	43115	Enjoliveur	Hub cap	Radzierkappe	Copri ruota	Embellecedor	Calote	Dop	2
86	31143	Vis	Screw	Schraube	Vite	Tornillo	Parafuso	Schroef	3
88	45004	Clips	Clip	Clips	Ritegno	Clip	Anel	Clip	2
89	72495	Ressort G.	Spring	Feder	Molla	Muelle	Mola	Veer	1
	72496	ressort D.	Spring	Feder	Molla	Muelle	Mola	Veer	1
90	72783	Axe	Axle	Achse	Astina	Eje	Eixo	Wielas	X
95	72780	Entretoise	Spacer	Abstandsstück	Distanziale	Distanciador	Separador	Afstandsstück	2
96	Z03.8.30	Vis	Screw	Schraube	Vite	Tornillo	Parafuso	Schroef	2
97	Z08.L6U	Rondelle	Washer	Scheibe	Rondella	Arandela	Anilha	Ring	2
98	Z12.8.AZ	Rondelle	Washer	Scheibe	Rondella	Arandela	Anilha	Ring	2
100	Z11.5	Ecrou	Nut	Mutter	Dado	Tuerca	Parafuso	Moer	2
101	Z23.8.30	Vis	Screw	Schraube	Vite	Tornillo	Parafuso	Schroef	1
102	72485	Vis	Screw	Schraube	Vite	Tornillo	Parafuso	Schroef	5
103	72484	Entretoise	Spacer	Anstandshüle	Distanziale	Distanciador	Separador	Afstandsstück	5
104	32030	Crochet	Clip	Klemmschelle	Fermacavo	Abrazadera	Gancho	Kabelbinder	X
105	32018	Bloque-câble	Clip	Klemmschelle	Fermacavo	Abrazadera	Gancho	Kabelbinder	1

S 400 B



Fig.	Références	Désignation	Part Name	Bezeichnung	Descrizione	Descripcion	Designação	Omschrijving	400 B
1	72752.1	Poignée d'embrayage	Lever clutch	Kupplungsgriff	Barra	Empunadura	Alavanca	Koppelingshendel	X
2	72721	Guidon	Handlebar	Lenker	Manico	Barra	Guiador	Handgreep	X
3	31494	Cache-Ecrou	Plastic cap	Mutternabdeckung	Copri	Tapon plastico	Tampão plastico	Kunststofkrap	4
4	Z03.6.45	Vis	Screw	Schraube	Vite	Tornillo	Parafuso	Schroef	1
5	42032	Collier	Clip	Klemmschelle	Ferma cavo	Abrazadera	Gancho	Kabelbinder	6
6	72486	Timonerie d'embrayage	Clutch control	Gestange	Cavo semovenza	Varillaje	Timão	Koppelingstang	X
7	46032	Bouton de fixation	Nut	Mutter	Pomolo manico	Tuerca	Parafuso	Moer	4
8	Z53.8	Ecrou	Nut	Mutter	Dado	Tuerca	Parafuso	Moer	16
10	72788	Guidon inférieur	Handlebar	Lenker	Manico	Barra	Guiador	Handgreep	X
11	Z42.8.50	Vis	Screw	Schraube	Vite	Tornillo	Parafuso	Schroef	2
12	Z42.8.50	Vis	Screw	Schraube	Vite	Tornillo	Parafuso	Schroef	2
13	Z53.6	Ecrou	Nut	Mutter	Dado	Tuerca	Parafuso	Moer	3
14	30525	Commande d'accélération	Throttle control	Gashebelgestange	Acceleratore	Mando	Accelerador	Gaskabel	X
15	Z03.5.40	Boulon	Bolt	Schraube	Vite	Tornillo	Parafuso	Schroef	1
18	72494	Sac	Bag	Sack	Tela cesto	Bolsa de recogida	Saco do pixo	Verzamelzak	X
19	72493	Armature	Sack frame	Armatur	Telaio cesto	Armadura	Armadura	Zakarmatur	X
21	Z03.8.20	Vis	Screw	Schraube	Vite	Tornillo	Parafuso	Schroef	4
22	31529	Cache-écrou	Plastic cap	Mutternabdeckung	Copri	Tapon plastico	Tampão plastico	Kunststofkap	3
23	72732	Volet arrière	Deflector	Ablenblech	Parasassi	Deflector	Deflector	Deflector	X
24	72863	Chassis	Carter	Casco	Scocca	Casco	Casco	Aandrijfkap	X
25	054.12.20	Rondelle	Washer	Scheibe	Rondella	Arandela	Anilha	Ring	8
26	73190	Essieu avant	Axle	Achse	Astina	Eje	Eixo	Wiel	X
27	46108	Coussinet	Bearing bush	Wellenlager	Cuscinetto	Cojinete	Casquillo	Lagerbus	8
28	46114	Roue	Wheel	Rad	Ruota	Rueda	Roda	Wiel	2
30	43131	Enjoliveur	Hub cap	Radzierkappe	Copri ruota	Embellecedor	Calote	Dop	2
31	003.10.30	Vis	Screw	Schraube	Vite	Tornillo	Parafuso	Schroef	1
32	012.10.AZ	Rondelle éventail	Washer	Scheibe	Rondella	Arandela	Anilha	Ring	2
33	72317	Rondelle	Washer	Scheibe	Rondella	Arandela	Anilha	Ring	1
34	72316	Bride	Plate	Plaque	Piastrina	Tapa	Platina	Plaat	2
35	72315	Coquille	Disc	Flansch	Coperchio	Disco	Disco	Plaat	2
36	030.6004.2	Roulement	Bearing	Lager	Cuscinetto	Cojinete	Rolamento	Kogellager	2
37	72756	Entretoise	Spacer	Abstandsstück	Distanziale	Distanciador	Separador	Afstandsstuk	2
38	72765	Rondelle "Belleville"	Washer	Scheibe	Rondella	Arandela	Anilha	Ring	4
39	72481	Arbre	Shaft	Welle	Assale	Eje	Eixo	Wielas	X
40	72492	Couteau	Blade	Messer	Zappetta	Cuchilla	Lamina	Mes	17
41	72755	Entretoise	Spacer	Abstandsstück	Distanziale	Distanciador	Separador	Afstandsstuk	16
42	062.RS9	Clips	Clips	Clips	Ritegno	Clip	Anel	Clip	2
43	003.10.40	Vis	Screw	Schraube	Vite	Tornillo	Parafuso	Schroef	1
44	Z03.5.16	Vis	Screw	Schraube	Vite	Tornillo	Parafuso	Schroef	2
45	Z53.10	Ecrou	Nut	Mutter	Dado	Tuerca	Porca	Moer	1
46	72483	Cache-palier	Cover	Haube	Coperchio	Embellecedor	Calote	Dop	X
47	Z08.L5N	Rondelle	Washer	Scheibe	Rondella	Arandela	Anilha	Ring	2
50	Z08.L8N	Rondelle	Washer	Scheibe	Rondella	Arandela	Anilha	Ring	19
51	71517	Ressort	Spring	Feder	Molla	Muelle	Mola	Veer	1
52	Z08.M10U	Rondelle	Washer	Scheibe	Rondella	Arandela	Anilha	Ring	3
53	71356	Poignée	Knob-height	Anschlag	Pomolo	Tornillo	Batao	Knop	1
54	72796	Guide courroie	Vee belt guide	Riemenführung	Guida cinghia	Guia de correa	Guia de correa	Drijfriemgeleider	X
55	72318	Poulie réceptrice	Pulley	Treibrad	Puleggia	Polea	Polia	Riemschijf	1
56	72321	Courroie	Belt	Riemen	Cinghia	Correa	Correia	Riem	1
58	72782	Bras de galet	Arm	Vorrichtung	Leva	Leva	Braço	Rolarm	X
59	30554	Galet	Tensioner wheel	Riemenspannrolle	Puleggia	Polea	Polia	Rol	1
60	Z03.10.20	Vis	Screw	Schraube	Vite	Tornillo	Parafuso	Schroef	1
61	72759	Guide courroie	Vee belt guide	Riemenführung	Guida cinghia	Guia de correa	Guia de correa	Drijfriemgeleider	1
62	Z03.792416	Vis	Screw	Schraube	Vite	Tornillo	Parafuso	Schroef	4
63	71525	Poulie motrice	Pulley	Treibrad	Puleggia	Polea	Polia	Riemschijf	1
64	72772	Capot courroie	Cover	Riemenhaube	Coperchio	Capo	Cobertura	Kap	1
66	052.8.8	Vis	Screw	Schraube	Vite	Tornillo	Parafuso	Schroef	1
67	72791	Support de capot	Support	Trager	Supporto	Pletina	Platina	Steun	X
71	Z53.5	Ecrou	Nut	Mutter	Dado	Tuerca	Parafuso	Moer	1
72	73178	Poignée	Clutch	Hebel	Leva	Empuradura	Alavanca	Hendel	1
77	73182	Bride	Support	Trager	Supporto	Soporte	Hevel	Braco	X
78	024.6.10	Vis	Screw	Schraube	Vite	Tornillo	Parafuso	Schroef	1
80	46301	Rondelle	Washer	Scheibe	Rondella	Arandela	Anilha	Ring	4
82	73174	Essieu arrière	Axle	Achse	Astina	Eje	Eixo	Wielas	X
83	Z03.792416	Vis	Screw	Schraube	Vite	Tornillo	Parafuso	Schroef	2
84	46010	Roue	Wheel	Rad	Ruota	Rueda	Roda	Wiel	2
85	43115	Enjoliveur	Screw	Radzierkappe	Copri ruota	Embellecedor	Calote	Dop	2
87	47320	Rondelle	Washer	Scheibe	Rondella	Arandela	Anilha	Ring	2
88	45004	Clips	Clip	Clips	Ritegno	Clip	Anel	Clip	2
89	72495	Ressort G.	Spring	Feder	Molla	Muelle	Mola	Veer	1
	72496	Ressort D.	Spring	Feder	Molla	Muelle	Mola	Veer	1
90	72783	Axe	Axle	Achse	Astina	Eje	Eixo	Wielas	X
95	Z03.8.35	Vis	Screw	Schraube	Vite	Tornillo	Parafuso	Schroef	3
	Z03.8.40	Vis	Screw	Schraube	Vite	Tornillo	Parafuso	Schroef	1
96	Z03.8.30	Vis	Screw	Schraube	Vite	Tornillo	Parafuso	Schroef	1
97	Z08.L6U	Rondelle	Washer	Scheibe	Rondella	Arandela	Anilha	Ring	3
98	Z12.8.AZ	Rondelle	Washer	Scheibe	Rondella	Arandela	Anilha	Ring	4
100	Z11.5	Ecrou	Nut	Mutter	Dado	Tuerca	Parafuso	Moer	2
101	Z23.8.30	Vis	Screw	Schraube	Vite	Tornillo	Parafuso	Schroef	1
103	72780	Entretoise	Spacer	Anstandhülle	Distanziale	Distanciador	Separador	Afstandsstuk	2

S 400 B - S 400 H



S 400 B - S 400 H

Fig.	Références	Désignation	Part Name	Bezeichnung	Descrizione	Descripcion	Designação	Omschrijving	S 400 B
1	72752.1	Poignée d'embrayage	Lever clutch	Kupplungsgriff	Barra	Empunadura	Alavanca	Koppelingshendel	X
2	72721	Guidon	Handlebar	Lenker	Manico	Barra	Guiador	Handgriep	X
3	31494	Cache-Ecrou	Plastic cap	Mutternabdeckung	Copri	Tapon plastico	Tampão plastico	Kunststofkrap	5
4	Z03.6.45	Vis	Screw	Schraube	Vite	Tornillo	Parafuso	Schroef	1
5	42032	Collier	Clip	Klemmschelle	Ferma cavo	Abrazadera	Gancho	Kabelbinder	6
6	72486	Timonerie d'embrayage	Clutch control	Gestange	Cavo semovenza	Varillaje	Timão	Koppelingsstang	X
7	46032	Bouton de fixation	Nut	Mutter	Pomolo manico	Tuerca	Parafuso	Moer	4
8	Z53.8	Ecrou	Nut	Mutter	Dado	Tuerca	Parafuso	Moer	41
9	33940	Entretoise	Spacer	Anstandshüle	Distanziale	Distanciador	Separador	Afstandsbus	4
10	72788	Guidon inférieur	Handlebar	Lenker	Manico	Barra	Guiador	Handgriep	X
11	Z42.8.50CC	Vis	Screw	Schraube	Vite	Tornillo	Parafuso	Schroef	4
12	Z03.8.16.4500	Vis	Screw	Schraube	Vite	Tornillo	Parafuso	Schroef	32
13	Z53.8	Ecrou	Nut	Mutter	Dado	Tuerca	Parafuso	Moer	6
14	30525	Commande d'accélération	Throttle control	Gashebelgestange	Acceleratore	Mando	Accelerador	Gaskabel	X
15	Z03.6.40	Boulon	Bolt	Schraube	Vite	Tornillo	Parafuso	Schroef	1
17	Z29.4.25	Vis	Screw	Schraube	Vite	Tornillo	Parafuso	Schroef	2
18	72494	Sac	Bag	Sack	Tela cesto	Bolsa de recogida	Saco do pixo	Verzamelzak	X
19	72493	Armature	Sack frame	Armatur	Telaio cesto	Armadura	Armadura	Zakarmatur	X
20	45004	Clips	Clip	Clips	Ritegno	Clip	Anel	Clip	2
21	Z03.8.20	Vis	Screw	Schraube	Vite	Tornillo	Parafuso	Schroef	4
22	31494	Cache-écrou	Plastic cap	Mutternabdeckung	Copri	Tapon plastico	Tampão plastico	Kunststoffkap	1
23	72732	Volet arrière	Deflector	Ablenklech	Parassasi	Deflector	Deflector	Deflector	X
24	72863	Chassis	Carter	Carter	Scocca	Casco	Carter	Aandrijkap	X
25	054.12.20	Rondelle	Washer	Scheibe	Rondella	Arandela	Anilha	Ring	8
26	72734	Essieu avant	Axle	Achse	Astina	Eje	Eixo	Wiel	X
27	46108	Coussinet	Bearing bush	Wellenlager	Cuscinetto	Cojinete	Casquillo	Lagerbus	8
29	72727	Tringle	Bar	Stange	Barra	Barra	Supporte	Stern	X
31	003.10.20	Vis	Screw	Schraube	Vite	Tornillo	Parafuso	Schroef	1
32	012.10.AZ	Rondelle éventail	Washer	Scheibe	Rondella	Arandela	Anilha	Ring	2
33	72317	Rondelle	Washer	Scheibe	Rondella	Arandela	Anilha	Ring	1
34	72316	Bride	Plate	Plaquette	Piastrina	Tapa	Platina	Plaat	2
35	72315	Coquille	Disc	Flansch	Coperchio	Disco	Disco	Plaat	2
36	030.6004.2	Roulement	Bearing	Lager	Cuscinetto	Cojinete	Rolamento	Kogellager	2
38	Z53.08F125	Ecrou	Nut	Mutter	Dado	Tuerca	Parafuso	Moer	4
39	72714	Arbre	Shaft	Welle	Assale	Eje	Eixo	Wielas	X
40	73852	Couteau	Blade	Messer	Zappetta	Cuchilla	Lamina	Mes	32
41	73837	Entretoise	Spacer	Abstandsstück	Distanziale	Distanciador	Separador	Afstandsstück	17
42	72499	Clips	Clip	Clips	Ritegno	Clip	Anel	Clip	2
43	003.10.25	Vis	Screw	Schraube	Vite	Tornillo	Parafuso	Schroef	1
44	Z03.5.16	Vis	Screw	Schraube	Vite	Tornillo	Parafuso	Schroef	2
45	Z53.10	Ecrou	Nut	Mutter	Dado	Tuerca	Porca	Moer	1
46	72483	Cache-palier	Cover	Haube	Coperchio	Embellecedor	Calote	Dop	X
47	Z08.L5N	Rondelle	Washer	Scheibe	Rondella	Arandela	Anilha	Ring	2
48	43189	Palier	Spacer	Anstandshüle	Cuscinetto	Cojinete	Separador	Afstandsstück	2
49	43255	Palier	Spacer	Anstandshüle	Cuscinetto	Cojinete	Separador	Afstandsstück	2
50	Z08.L8N	Rondelle	Washer	Scheibe	Rondella	Arandela	Anilha	Ring	13
51	71517	Ressort	Spring	Feder	Molla	Muelle	Mola	Veer	1
52	Z08.M10U	Rondelle	Washer	Scheibe	Rondella	Arandela	Anilha	Ring	3
53	72753	Poignée	Knob-height	Anschlag	Pomolo	Tornillo	Batao	Knop	1
54	72796	Guide courroie	Vee belt guide	Riemenführung	Guida cinghia	Guia de correa	Guia de correia	Drijfriemgeleider	X
55	72318	Poulie réceptrice	Pulley	Treibrad	Puleggia	Polea	Polia	Riemschijf	1
56	72321	Courroie	Belt	Riemen	Cinghia	Correa	Correia	Riem	1
57	013.6.20	Goupille	Pin	Splint	Spina	Pasador	Pino	Pin	2
58	72782	Bras de galet	Arm	Vorrichtung	Leva	Leva	Braço	Rolarm	X
59	30554	Galet	Tensioner wheel	Riemenspannrolle	Puleggia	Polea	Polia	Rol	1
60	Z03.10.20	Vis	Screw	Schraube	Vite	Tornillo	Parafuso	Schroef	1
61	73855	Bride	Plate	Plaquette	Piastrina	Tapa	Platina	Plaat	32
62	73859	Rondelle	Washer	Scheibe	Rondella	Arandela	Anilha	Ring	32
63	71525	Poulie motrice	Pulley	Treibrad	Puleggia	Polea	Polia	Riemschijf	1
64	72772	Capot courroie	Cover	Riemenhaube	Coperchio	Capo	Cobertura	Kap	1
66	052.8.8	Vis	Screw	Schraube	Vite	Tornillo	Parafuso	Schroef	1
67	73615	Platine	Support	Trager	Supporto	Pletina	Platina	Steu	1
71	Z53.5	Ecrou	Nut	Mutter	Dado	Tuerca	Parafuso	Moer	1
72	72489	Poignée	Clutch	Hebel	Leva	Empuradura	Alavanca	Hendel	1
73	72487	Platine G.	Support	Trager	Supporto	Soporte	Hevel	Stern	X
74	72488	Platine D.	Engine	Trager	Supporto	Soporte	Hevel	Stern	X
76	72725	Tringle	Bar	Stange	Barra	Barra	Supporte	Stern	X
77	72491	Bride	Support	Trager	Supporto	Soporte	Hevel	Braco	X
78	024.6.10	Vis	Screw	Schraube	Vite	Tornillo	Parafuso	Schroef	1
80	46301	Rondelle	Washer	Scheibe	Rondella	Arandela	Anilha	Ring	6
81	73293	Vis	Screw	Schraube	Vite	Tornillo	Parafuso	Schroef	1
82	72735	Essieu arrière	Axle	Achse	Astina	Eje	Eixo	Wielas	X
83	Z03.792425	Vis	Screw	Schraube	Vite	Tornillo	Parafuso	Schroef	2
84	46010	Roue	Wheel	Rad	Ruota	Rueda	Roda	Wiel	4
85	43115	Enjoliveur	Screw	Radzierkappe	Copri ruota	Embellecedor	Calote	Dop	4
87	47320	Rondelle	Washer	Scheibe	Rondella	Arandela	Anilha	Ring	2
88	45004	Clips	Clip	Clips	Ritegno	Clip	Anel	Clip	2
89	72495	Ressort G.	Spring	Feder	Molla	Muelle	Mola	Veer	1
	72496	Ressort D.	Spring	Feder	Molla	Muelle	Mola	Veer	1
90	72783	Axe	Axle	Achse	Aslina	Eje	Eixo	Wielas	X
91	72729	Tringle	Bar	Stange	Barra	Barra	Supporte	Stern	X
92	Z03.6.16	Vis	Screw	Schraube	Vite	Tornillo	Parafuso	Schroef	1
93	72731	Ressort	Spring	Feder	Molla	Muelle	Mola	Veer	1
94	72736	Levier	Arm	Vorrichtung	Supporto	Soporte	Hevel	Braco	X
95	Z03.8.35	Vis	Screw	Schraube	Vite	Tornillo	Parafuso	Schroef	3
	Z03.8.40	Vis	Screw	Schraube	Vite	Tornillo	Parafuso	Schroef	1
96	Z03.6.16	Vis	Screw	Schraube	Vite	Tornillo	Parafuso	Schroef	1
97	Z08.L6U	Rondelle	Washer	Scheibe	Rondella	Arandela	Anilha	Ring	3
98	Z12.8.AZ	Rondelle	Washer	Scheibe	Rondella	Arandela	Anilha	Ring	4
100	Z11.5	Ecrou	Nut	Mutter	Dado	Tuerca	Parafuso	Moer	2
101	Z23.8.20	Vis	Screw	Schraube	Vite	Tornillo	Parafuso	Schroef	1
103	72780	Entretoise	Spacer	Anstandshüle	Distanziale	Distanciador	Separador	Afstandsstück	2
104	73251	Renfort	Support	Trager	Supporto	Soporte	Hevel	Braco	1

S 455 R

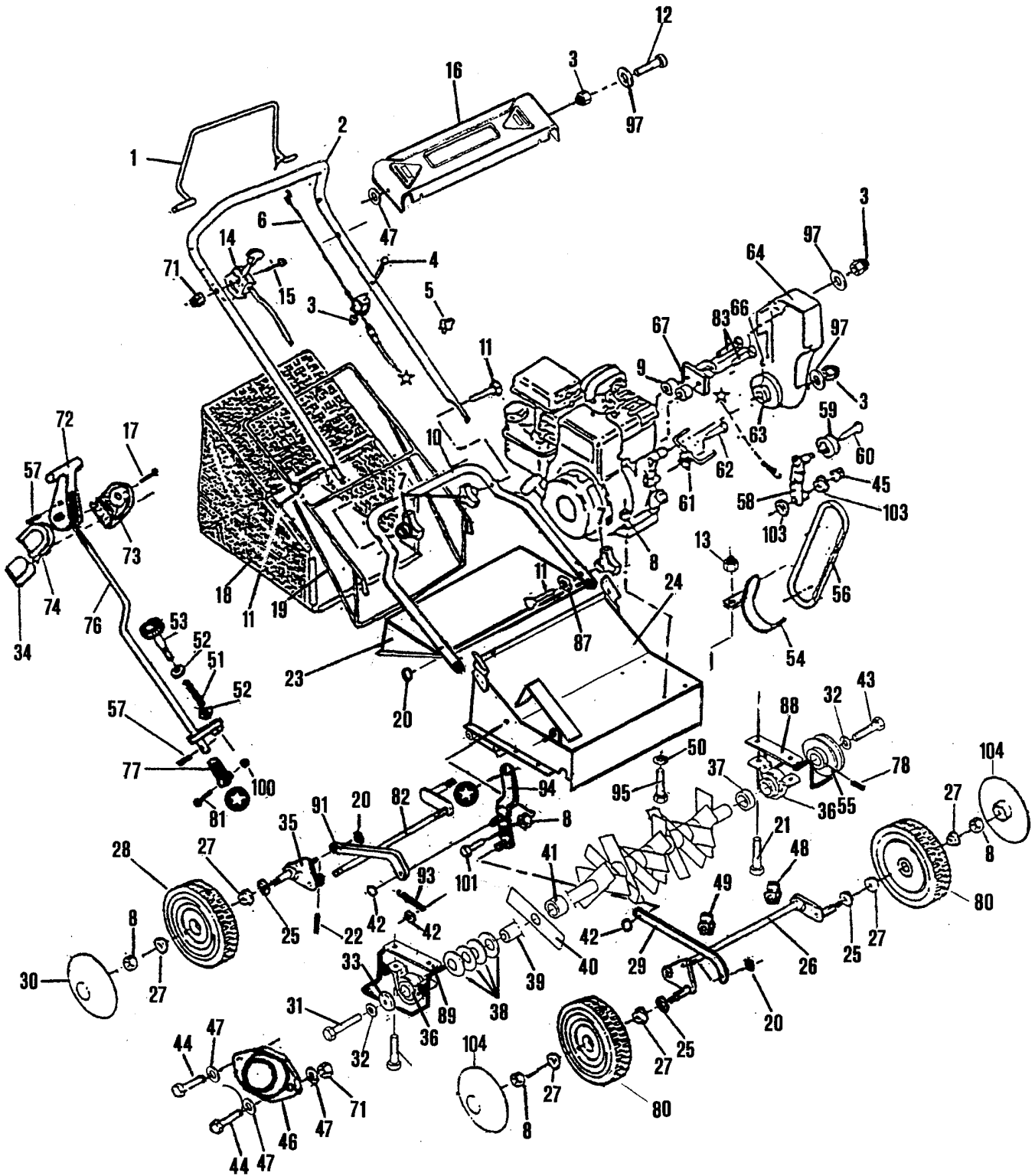


Fig.	Références	Désignation	Part Name	Bezeichnung	Descrizione	Descripcion	Designação	Omschrijving	S
									455 BR +
1	73405	Poignée d'embrayage	Lever clutch	Kupplungsgriff	Barra	Empunadura	Alavanca	Koppelingshendel	X
2	73194	Guidon	Handlebar	Lenker	Manico	Barra	Guiador	Handgriep	X
3	73271	Ecrou	Nut	Mutter	Dado	Tuerca	Parafuso	Moer	4
4	Z03.6.45	Vis	Screw	Schraube	Vite	Tornillo	Parafuso	Schroef	1
5	42032	Collier	Clip	Klemmschelle	Ferma cavo	Abrazadera	Gancho	Kabelbinder	6
6	73270	Timonerie d'embrayage	Clutch control	Gestange	Cavo semovenza	Varillaje	Timão	Koppelingstang	X
7	46032	Bouton de fixation	Nut	Mutter	Pomolo manico	Tuerca	Parafuso	Moer	4
8	Z53.8	Ecrou	Nut	Mutter	Dado	Tuerca	Parafuso	Moer	9
9	10124	Entretoise	Spacer	Anstandshüle	Distanziale	Distanciador	Separador	Afstandsbus	2
10	73195	Guidon inférieur	Handlebar	Lenker	Manico	Barra	Guiador	Handgriep	X
11	Z42.8.50	Vis	Screw	Schraube	Vite	Tornillo	Parafuso	Schroef	4
12	Z03.6.35	Vis	Screw	Schraube	Vite	Tornillo	Parafuso	Schroef	1
13	73276	Ecrou	Nut	Mutter	Dado	Tuerca	Parafuso	Moer	4
14	30525	Commande d'accélération	Throttle control	Gashebelgestange	Acceleratore	Mando	Accelerador	Gaskabel	X
15	Z03.5.45	Vis	Screw	Schraube	Vite	Tornillo	Parafuso	Schroef	1
16	73110	Tableau de bord	Control panel	Armaturen Brett	Quadro di bordo	Tablero de mando	Bedieningspanel	Panel de comando	1
17	Z29.4.25	Vis	Screw	Schraube	Vite	Tornillo	Parafuso	Schroef	2
18	71514	Sac	Bag	Sack	Tela cesto	Bolsa de recogida	Saco do pixo	Verzamelzak	X
19	71513	Armature	Sack frame	Armatur	Telaio cesto	Armadura	Armadura	Zakarmatur	X
20	45004	Clips	Clip	Clips	Ritegno	Clip	Anel	Clip	4
21	Z03.10.25	Vis	Screw	Schraube	Vite	Tornillo	Parafuso	Schroef	4
22	013.4.22	Goupille	Pin	Splint	Spina	Pasador	Pino	Pin	1
23	73260	Volet arrière	Deflector	Ablenklech	Parasassi	Deflector	Deflector	Deflector	X
24	73273	Chassis	Carter	Carter	Sococa	Casco	Carter	Aandrijfkap	X
25	054.12.20	Rondelle	Washer	Scheibe	Rondella	Arandela	Anilha	Ring	4
26	73262	Essieu avant	Axle	Achse	Astina	Eje	Eixo	Wiel	X
27	46108	Coussinet	Bearing bush	Wellenlager	Cuscinetto	Cojinete	Casquillo	Lagerbus	8
28	46114	Roue	Wheel	Rad	Ruota	Rueda	Wiel	Wiel	2
29	72727	Tringle	Bar	Stange	Barra	Barra	Supporte	Stern	X
30	43131	Enjolvieur	Hub cap	Radzierkappe	Copriruota	Embellecedor	Calote	Dop	2
31	003.10.30	Vis	Screw	Schraube	Vite	Tornillo	Parafuso	Schroef	1
32	012.10.AZ	Rondelle éventail	Washer	Scheibe	Rondella	Arandela	Anilha	Ring	2
33	71524	Rondelle	Washer	Scheibe	Rondella	Arandela	Anilha	Ring	1
34	73251	Bride	Plate	Plaque	Piastrina	Tapa	Platina	Plaat	1
35	73257	Essieu arrière	Axle	Achse	Astina	Eje	Eixo	Wielas	X
36	71523	Roulement	Bearing	Lager	Cuscinetto	Cojinete	Rolamento	Kogellager	2
37	71521	Entretoise	Spacer	Abstandsstück	Distanziale	Distanciador	Separador	Afstandsstück	1
38	71531	Rondelle "Belleville"	Washer	Scheibe	Rondella	Arandela	Anilha	Ring	4
39	71518	Arbre	Shaft	Welle	Assale	Eje	Eixo	Wielas	X
40	71519	Couteau	Blade	Messer	Zappetta	Cuchilla	Lamina	Mes	19
41	71522	Entretoise	Spacer	Abstandsstück	Distanziale	Distanciador	Separador	Afstandsstück	18
42	72499	Clips	Clip	Clips	Ritegno	Clip	Anel	Clip	3
43	003.10.40	Vis	Screw	Schraube	Vite	Tornillo	Parafuso	Schroef	1
44	Z03.5.16	Vis	Screw	Schraube	Vite	Tornillo	Parafuso	Schroef	2
45	Z53.10	Ecrou	Nut	Mutter	Dado	Tuerca	Porca	Moer	1
46	72483	Cache-palier	Cover	Haube	Coperchio	Embellecedor	Calote	Dop	X
47	Z08.L5N	Rondelle	Washer	Scheibe	Rondella	Arandela	Anilha	Ring	5
48	43189	Palier	Spacer	Anstandhåle	Cuscinetto	Cojinete	Separador	Afstandsstück	1
49	43255	Palier	Spacer	Anstandhåle	Cuscinetto	Cojinete	Separador	Afstandsstück	1
50	Z08.L8N	Rondelle	Washer	Scheibe	Rondella	Arandela	Anilha	Ring	8
51	71517	Ressort	Spring	Feder	Molla	Muelle	Mola	Veer	1
52	Z08.M10U	Rondelle	Washer	Scheibe	Rondella	Arandela	Anilha	Ring	2
53	72753	Poignée	Knob-height	Anschlag	Pomolo	Tornillo	Batao	Knop	1
54	73269	Guide courroie	Vee belt guide	Riemenführung	Guida cinghia	Guia de correa	Guia de correa	Drijfriegelgeleider	X
55	71526	Poulie réceptrice	Pulley	Treibrad	Puleggia	Polea	Polia	Riemschijf	1
56	71530	Courroie	Belt	Riemen	Cinghia	Correa	Correia	Riem	1
57	013.6.20	Goupille	Pin	Splint	Spina	Pasador	Pino	Pin	2
58	72782	Bras de galet	Arm	Vorrichtung	Leva	Braço	Leva	Rolarm	X
59	30554	Galet	Tensioner wheel	Riemenspannrolle	Puleggia	Polea	Polia	Rol	1
60	Z03.10.20	Vis	Screw	Schraube	Vite	Tornillo	Parafuso	Schroef	1
61	71372	Guide courroie	Vee belt guide	Riemenführung	Guida cinghia	Guia de correa	Guia de correa	Drijfriegelgeleider	1
62	Z03.792416	Vis	Screw	Schraube	Vite	Tornillo	Parafuso	Schroef	2
63	71525	Poulie motrice	Pulley	Treibrad	Puleggia	Polea	Polia	Riemschijf	1
64	71373	Capot courroie	Cover	Riemenhaube	Coperchio	Capo	Cobertura	Kap	1
66	052.8.8	Vis	Screw	Schraube	Vite	Tornillo	Parafuso	Schroef	1
67	71354	Support de capot	Support	Trager	Supporto	Pletina	Platina	Steun	X
71	73275	Ecrou	Nut	Mutter	Dado	Tuerca	Parafuso	Moer	3
72	72489	Poignée	Clutch	Hebel	Leva	Empuradura	Alavanca	Hendel	1
73	72487	Platine G.	Support	Trager	Supporto	Soporte	Hevel	Stern	X
74	72488	Platine D.	Engine	Trager	Supporto	Soporte	Hevel	Stern	X
76	73252	Tringle	Bar	Stange	Barra	Barra	Supporte	Stern	X
77	72491	Bride	Support	Trager	Supporto	Soporte	Hevel	Braco	X
78	024.6.10	Vis	Screw	Schraube	Vite	Tornillo	Parafuso	Schroef	1
80	46010	Roue	Wheel	Rad	Ruota	Rueda	Roda	Wiel	2
81	73293	Vis	Screw	Schraube	Vite	Tornillo	Parafuso	Schroef	1
82	73259	Essieu arrière	Axle	Achse	Astina	Eje	Eixo	Wielas	X
83	Z03.792425	Vis	Screw	Schraube	Vite	Tornillo	Parafuso	Schroef	2
87	47320	Rondelle	Washer	Scheibe	Rondella	Arandela	Anilha	Ring	4
88	73263	Arceau G.	Support L.	Trager L.	Supporto l.	Soporte	Suporte	Stern	X
89	73264	Arceau D.	Support R.	Trager R.	Supporto D.	Soporte	Suporte	Stern	X
91	73256	Tringle	Bar	Stange	Barra	Barra	Supporte	Stern	X
93	72731	Ressort	Spring	Feder	Molla	Muelle	Mola	Veer	1
94	72736	Levier	Arm	Vorrichtung	Supporto	Soporte	Hevel	Braco	X
95	Z03.8.35	Vis	Screw	Schraube	Vite	Tornillo	Parafuso	Schroef	3
	Z03.8.40	Vis	Screw	Schraube	Vite	Tornillo	Parafuso	Schroef	1
97	Z08.L6U	Rondelle	Washer	Scheibe	Rondella	Arandela	Anilha	Ring	1
100	Z53.6	Ecrou	Nut	Mutter	Dado	Tuerca	Parafuso	Moer	1
101	Z23.8.20	Vis	Screw	Schraube	Vite	Tornillo	Parafuso	Schroef	1
103	72780	Entretoise	Spacer	Anstandhüle	Distanziale	Distanciador	Separador	Afstandsstück	2
104	43115	Enjolvieur	Hubcap	Radzierkappe	Copriruoto	Embellecedor	Calote	Dop	2

S 460 B - S 460 H

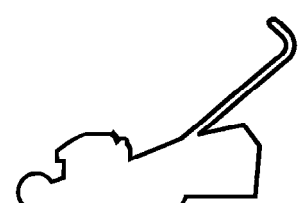
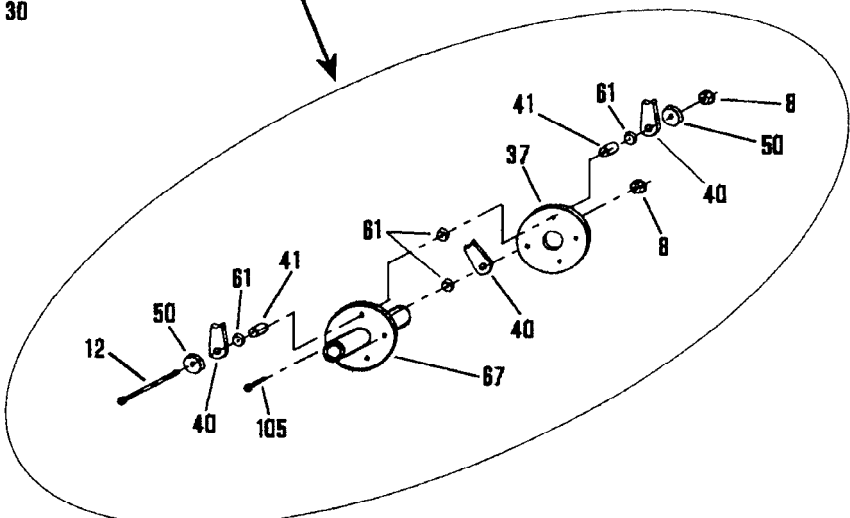
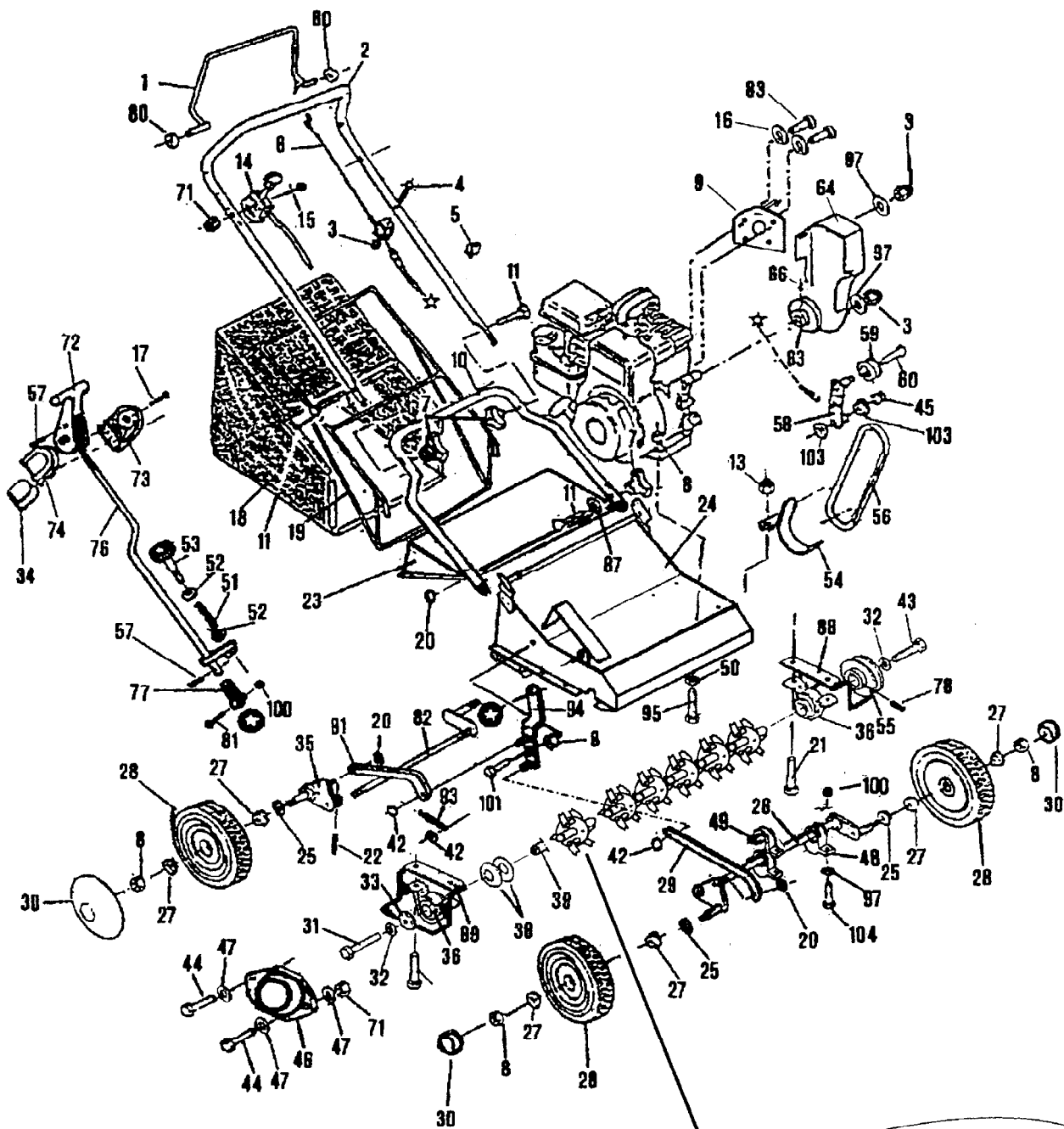
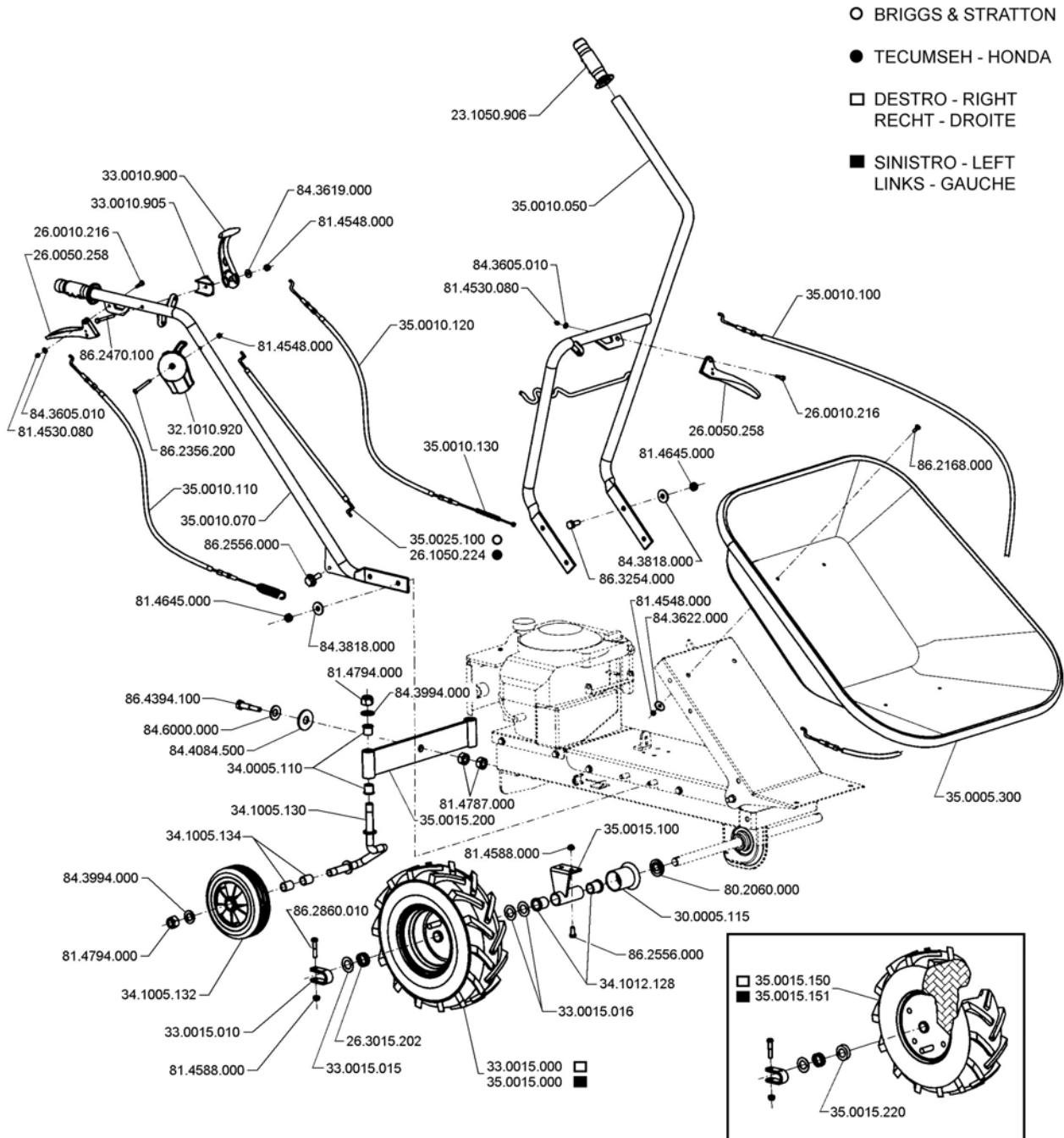


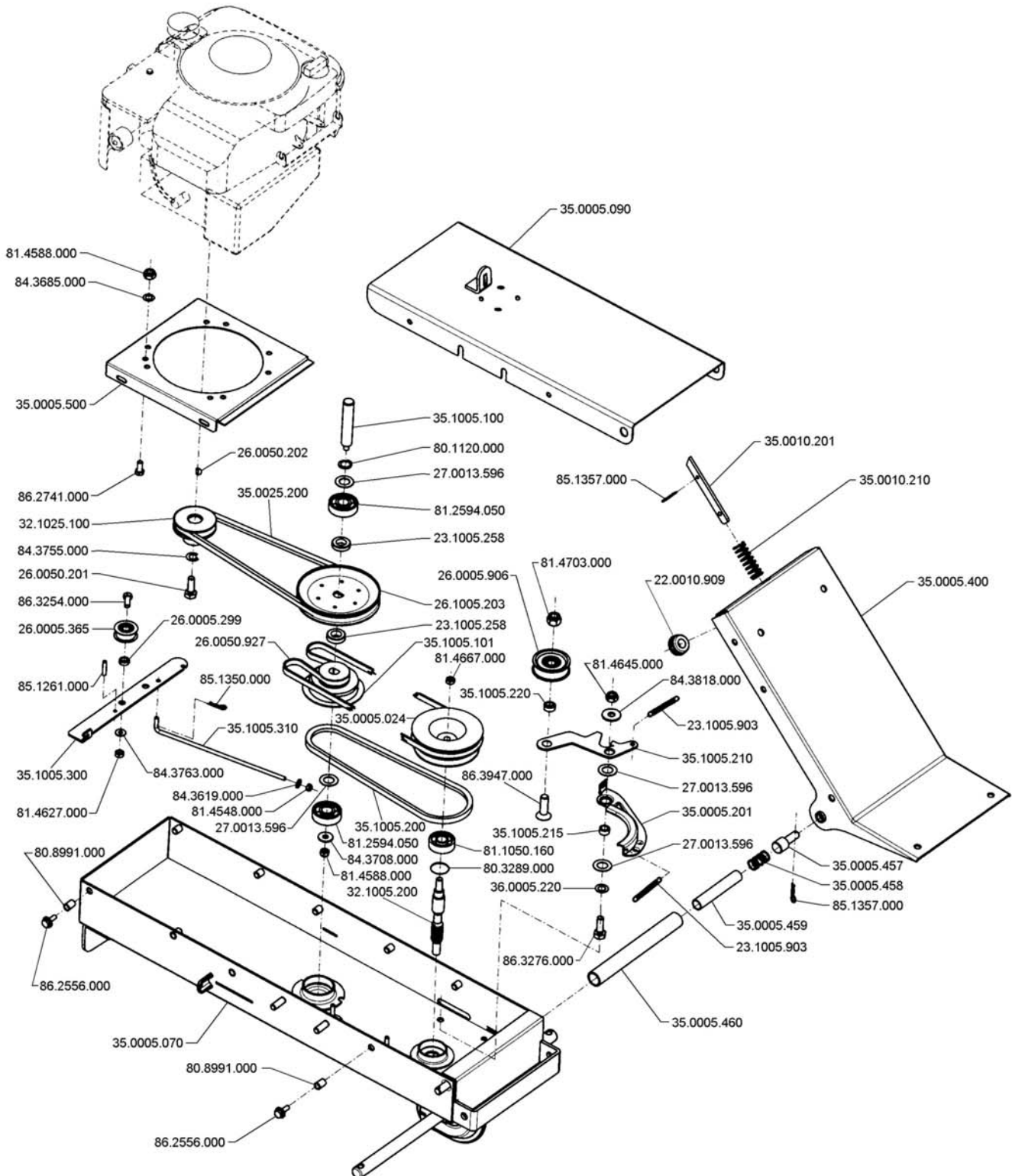
Fig.	Références	Désignation	Part Name	Bezeichnung	Descrizione	Descrpcion	Designação	Omschrijving	S 460 B S 460 H
1	73405	Poignée d'embrayage	Lever clutch	Kupplungsgriff	Barra	Empunadura	Alavanca	Koppelingshendel	X
2	73194	Guidon	Handlebar	Lenker	Manico	Barra	Guiador	Handgriep	X
3	73271	Ecrou	Nut	Mutter	Dado	Tuerca	Parafuso	Moer	5
4	Z03.6.45	Vis	Screw	Schraube	Vite	Tornillo	Parafuso	Schroef	6
5	42032	Collier	Clip	Klemmschelle	Ferma cavo	Abrazadera	Gancho	Kabelbinder	1
6	73270	Timonerie d'embrayage	Clutch control	Gestange	Cavo semovenza	Varillaje	Timão	Koppelgangstang	X
7	46032	Bouton de fixation	Nut	Mutter	Pomolo manico	Tuerca	Parafuso	Moer	4
8	Z53.8	Ecrou	Nut	Mutter	Dado	Tuerca	Parafuso	Moer	33
9	73858	Platine	Support	Trager	Supporto	Pletina	Platina	Steun	1
10	73195	Guidon inférieur	Handlebar	Lenker	Manico	Barra	Guiador	Handgriep	X
11	Z42.8.45CC	Vis	Screw	Schraube	Vite	Tornillo	Parafuso	Schroef	4
12	Z26.8.70	Vis	Screw	Schraube	Vite	Tornillo	Parafuso	Schroef	24
13	73276	Ecrou	Nut	Mutter	Dado	Tuerca	Parafuso	Moer	4
14	30525	Commande d'accélération	Throttle control	Gashebelgestange	Acceleratore	Mando	Accelerador	Gaskabel	X
15	Z03.6.45	Vis	Screw	Schraube	Vite	Tornillo	Parafuso	Schroef	1
16	Z12.8AZ	Rondelle	Washersher	Scheibe	Rondella	Arandela	Anilha	Ring	4
17	Z29.4.25	Vis	Screw	Schraube	Vite	Tornillo	Parafuso	Schroef	4
18	71514	Sac	Bag	Sack	Tela cesto	Bolsa de recogida	Saco do pixo	Verzamelzak	X
19	71513	Armature	Sack frame	Armatur	Telaio cesto	Armadura	Zakarmatur	Zakarmatur	X
20	45004	Clips	Clip	Clips	Ritegno	Clip	Anel	Clip	4
21	Z03.10.25	Vis	Screw	Schraube	Vite	Tornillo	Parafuso	Schroef	4
22	013.4.22	Goupille	Pin	Splint	Spina	Pasador	Spino	Pin	1
23	73260	Volet arrière	Deflector	Ablenblech	Parasassi	Deflector	Deflector	Deflector	X
24	73641	Chassis	Carter	Carter	Scocca	Casco	Carter	Aandrijfkap	X
25	47408	Rondelle	Washer	Scheibe	Rondella	Arandela	Anilha	Ring	4
26	73643	Essieu avant	Axle	Achse	Astina	Eje	Eixo	Wiel	X
27	47309	Coussinet	Bearing bush	Wellenlager	Cuscinetto	Cojinete	Casquillo	Lagerbus	8
28	43383	Roue	Wheel	Rad	Ruota	Rueda	Roda	Wiel	4
29	73646	Tringle	Bar	Stange	Barra	Barra	Supporte	Stern	X
30	43386	Enjoliveur	Hub cap	Radzierkappe	Copriruota	Embellecedor	Calote	Dop	4
31	003.10.30	Vis	Screw	Schraube	Vite	Tornillo	Parafuso	Schroef	1
32	012.10.AZ	Rondelle éventail	Washer	Scheibe	Rondella	Arandela	Anilha	Ring	2
33	71524	Rondelle	Washer	Scheibe	Rondella	Arandela	Anilha	Ring	1
34	73251	Bride	Plate	Plaquette	Piastrina	Tapa	Platina	Plaat	1
35	73257	Essieu arrière	Axle	Achse	Astina	Eje	Eixo	Wielas	X
36	71523	Roulement	Bearing	Lager	Cuscinetto	Cojinete	Rolamento	Kogellager	2
37	73863	Entretoise	Spacer	Abstandsstück	Distanziale	Distanciador	Separador	Afstandsstück	6
38	71531	Rondelle "Belleville"	Washer	Scheibe	Rondella	Arandela	Anilha	Ring	2
39	71518	Arbre	Shaft	Welle	Assale	Eje	Eixo	Wielas	X
40	73852	Couteau	Blade	Messer	Zappetta	Cuchilla	Lamina	Mes	36
41	73862	Entretoise	Spacer	Abstandsstück	Distanziale	Distanciador	Separador	Afstandsstück	24
42	72499	Clips	Clip	Clips	Ritegno	Clip	Anel	Clip	3
43	003.10.40	Vis	Screw	Schraube	Vite	Tornillo	Parafuso	Schroef	1
44	Z03.5.16	Vis	Screw	Schraube	Vite	Tornillo	Parafuso	Schroef	2
45	Z53.10	Ecrou	Nut	Mutter	Dado	Tuerca	Porca	Moer	1
46	72483	Cache-palier	Cover	Haube	Coperchio	Embellecedor	Calote	Dop	X
47	Z08.L5N	Rondelle	Washer	Scheibe	Rondella	Arandela	Anilha	Ring	5
48	43257	Palier	Spacer	Anstandhåle	Cuscinetto	Cojinete	Separador	Afstandsstück	2
49	73642	Palier	Spacer	Anstandhåle	Cuscinetto	Cojinete	Separador	Afstandsstück	2
50	Z08.L8N	Rondelle	Washer	Scheibe	Rondella	Arandela	Anilha	Ring	8
51	71517	Ressort	Spring	Feder	Molla	Muelle	Mola	Veer	1
52	Z08.M10U	Rondelle	Washer	Scheibe	Rondella	Arandela	Anilha	Ring	2
53	72753	Poignée	Knob-height	Anschlag	Pomolo	Tornillo	Batao	Knop	1
54	73269	Guide courroie	Vee belt guide	Riemenführung	Guida cinghia	Guia de correa	Guia de correia	Drijfriemgeleider	X
55	71526	Poulie réceptrice	Pulley	Treibrad	Puleggia	Polea	Polia	Riemschijf	1
56	71116	Courroie	Belt	Riemen	Cinghia	Correa	Correia	Riem	1
57	013.6.20	Goupille	Pin	Splint	Spina	Pasador	Pino	Pin	2
58	72782	Bras de galet	Arm	Vorrichtung	Leva	Leva	Braço	Rolarm	X
59	30554	Galet	Tensioner wheel	Riemenspannrolle	Puleggia	Polea	Polia	Rol	1
60	Z03.10.20	Vis	Screw	Schraube	Vite	Tornillo	Parafuso	Schroef	1
61	73859	Rondelle	Washer	Scheibe	Rondella	Arandela	Anilha	Ring	36
62	Z03.792416	Vis	Screw	Schraube	Vite	Tornillo	Parafuso	Schroef	2
63	71525	Poulie motrice	Pulley	Treibrad	Puleggia	Polea	Polia	Riemschijf	1
64	71373	Capot courroie	Cover	Riemenhaube	Coperchio	Capo	Cobertura	Kap	1
66	052.8.8	Vis	Screw	Schraube	Vite	Tornillo	Parafuso	Schroef	6
67	73860	Support	Support	Trager	Supporto	Pletina	Platina	Steun	1
71	73275	Ecrou	Nut	Mutter	Dado	Tuerca	Parafuso	Moer	2
72	72489	Poignée	Clutch	Hebel	Leva	Empunadura	Alavanca	Hendel	1
73	72487	Platine G.	Support	Trager	Supporto	Soporte	Hevel	Stern	X
74	72488	Platine D.	Engine	Trager	Supporto	Soporte	Hevel	Stern	X
76	73252	Tringle	Bar	Stange	Barra	Barra	Suporte	Stern	X
77	72491	Bride	Support	Trager	Supporto	Soporte	Hevel	Braco	X
78	024.6.10	Vis	Screw	Schraube	Vite	Tornillo	Parafuso	Schroef	1
80	46301	Rondelle	Washer	Scheibe	Rondella	Arandela	Anilha	Ring	6
81	Z01.6.25	Vis	Screw	Schraube	Vite	Tornillo	Parafuso	Schroef	1
82	73259	Essieu arrière	Axle	Achse	Astina	Eje	Eixo	Wielas	X
83	Z03.792416	Vis	Screw	Schraube	Vite	Tornillo	Parafuso	Schroef	2
88	73263	Arceau G.	Support L.	Trager L.	Supporto I.	Soporte	Suporte	Stern	X
89	73264	Arceau D.	Support R.	Trager R.	Supporto D.	Soporte	Suporte	Stern	X
91	73256	Tringle	Bar	Stange	Barra	Barra	Supporte	Stern	X
93	72731	Ressort	Spring	Feder	Molla	Muelle	Mola	Veer	1
94	72736	Levier	Arm	Vorrichtung	Supporto	Soporte	Hevel	Braco	X
95	Z03.8.35	Vis	Screw	Schraube	Vite	Tornillo	Parafuso	Schroef	3
	Z03.8.40	Vis	Screw	Schraube	Vite	Tornillo	Parafuso	Schroef	1
97	Z08.L6U	Rondelle	Washer	Scheibe	Rondella	Arandela	Anilha	Ring	5
100	Z53.6	Ecrou	Nut	Mutter	Dado	Tuerca	Parafuso	Moer	5
101	Z23.8.20	Vis	Screw	Schraube	Vite	Tornillo	Parafuso	Schroef	1
103	72780	Entretoise	Spacer	Anstandhåle	Distanziale	Distanciador	Separador	Afstandsstück	2
104	Z03.6.20	Vis	Screw	Schraube	Vite	Tornillo	Parafuso	Schroef	4
105	Z26.8.20	Vis	Screw	Schraube	Vite	Tornillo	Parafuso	Schroef	12

Motortrolley



((I)) **Attenzione: anteporre M0 ad ogni codice.**
 ((GB)) **Attention: put M0 before each part number.**
 ((F)) **Attention: Vous devez mettre M0 devant chaque code.**
 ((D)) **Achtung: Bitte schreiben Sie immer M0 vor die Artikelnummer**

Motortrolley



(I) **Attenzione: anteporre M0 ad ogni codice.**
 (GB) **Attention: put M0 before each part number.**
 (F) **Attention: Vous devez mettre M0 devant chaque code.**
 (D) **Achtung: Bitte schreiben Sie immer M0 vor die Artikelnummer**

Motortrolley

SMONTAGGIO DEL COPERCHIO CARRIOLA.

Dopo aver smontato la piastra ribaltamento vasca completa di vasca e stegola (operazione descritta sul libretto uso manutenzione), procedere nel seguente modo:

- Svitare completamente le n°6 viti che fissano il coperchio al basamento della carriola



- Premere con un cacciavite le spine sbloccaggio vasca, in modo tale da poter sollevare il coperchio carriola dal basamento.



- Dopo aver sollevato il coperchio carriola, interporre degli spessori (es. Cacciaviti) tra coperchio e basamento, in modo tale da mantenere la posizione desiderata.



A questo punto, ci sono due metodi per eseguire lo smontaggio definitivo del cofano:

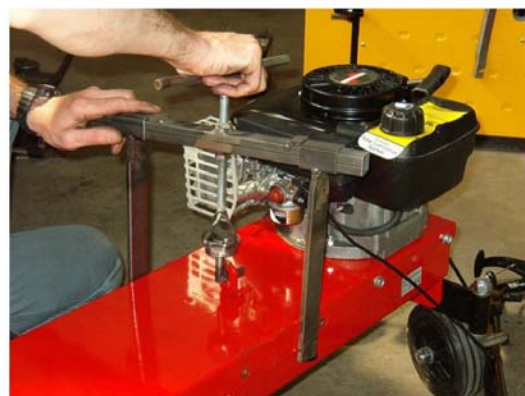
1° Metodo:

- Inserire un piatto o altro di simile all'interno dell'asola del nasello saldato al coperchio, e farlo appoggiare alla parete del motore; una volta fatto questo fare leva e tirare dal basso verso l'alto il piatto; il coperchio sarà completamente smontato.



2° Metodo:

- Mediante apposito attrezzo, dopo averlo posizionato come descritto in figura, svitare la vite in modo tale da sollevare il coperchio e smontarlo definitivamente dalla macchina.



Attenzione: per il secondo metodo stiamo valutando la possibilità di eseguire noi gli attrezzi e poi fornirli con la macchina.



MA.RI.NA SYSTEMS SRL

Via F. Baracca, 3 - 24034 Cisano Bergamasco (BG)

Tel. 035-787774 ra - Fax 035-787761

e-mail info@marinasystems.it

internet <http://www.marinasystems.it>

Aggiornato al 25/05/2007